

TO: ALL HOLDERS OF MAIN GEAR BUILDUP ASSEMBLY COMPONENT MAINTENANCE MANUAL  
 32-11-20

REVISION NO. 53 DATED NOV 01/05

HIGHLIGHTS

Pages which have been added or revised are outlined below together with the highlights of the revision. Remove and insert the affected pages as listed and enter Revision No. and date on the Record of Revision Sheet.

CHAPTER/SECTION  
 AND PAGE NO.

DESCRIPTION OF CHANGE

TITLE PAGE	Added main landing gear buildup assemblies 161T1000-727 thru -748.
2	
1002-1044N,1044Q-1046Z, 1048M-1052W,1054G-1058G, 1058K-1060F,1060I-1060K, 10600-1060W,1062A-1062J, 1062Q-1068C,1068I-1068Y, 1069-1070H,1070K-1072W, 1074K-1076Z 1077-1082B,1082S-1090S, 1090W-1090Y,1091-1092	
REPAIR 1-1 605	Changed material callout of oversize equivalent of bushing (93, IPL Fig. 17 or 18).
REPAIR 2-1 601	Added clarifications and updated callouts.
REPAIR 19-1 601-603,605	
REPAIR 20-1 601	
REPAIR 11-3 603	Added dimension between lug bore centerline and shoulder face on spindle 161T2008-series.

 **BOEING**  
COMPONENT  
MAINTENANCE MANUAL

CHAPTER/SECTION  
AND PAGE NO.

REPAIR 19-1  
604,606

DESCRIPTION OF CHANGE

Added refinish of target 284T0427-series.

701,726-727

Added procedure to replace pads 161T1310-5 on the bogie  
beam shield brackets.

**32-11-20**

HIGHLIGHTS

01.1

Page 2

Nov 01/05

## MAIN GEAR BUILDUP ASSEMBLY

PART NUMBERS 161T1000-153 THRU -158,-163 THRU  
-166,-177,-178,-185,-186,  
-189,-190,-207 THRU -220,  
-237,-247,-249,-250,-253  
THRU -256,-291 THRU -294,  
-303,-304,-327,-328,-333  
THRU -338,-341,-342,-347,  
-348,-381,-382,-385,-386,  
-391,-392,-397 THRU -400,  
-601,-602,-605,-606,-613,  
-614,-621 THRU -626,-629  
THRU -634,-643,-644 (CONT)

COMPONENT MAINTENANCE MANUAL  
WITH  
ILLUSTRATED PARTS LIST

**32-11-20**

TITLE PAGE

Page 1

Jul 01/04

01.1

## PART NUMBERS 161T1000 (CONT)

-653 THRU -656,-659 THRU  
-666,-671,-672,-683 THRU  
-712,-715,-716,-719 THRU  
-724,-727 THRU -748,-757,  
-758,-761,-762,-765 THRU  
-768,-781 THRU -786,-789,  
-790,-803,-804,-823,  
-825 THRU -828,-831,-832,  
-835 THRU -846,-849 THRU  
-854,-857 THRU -860

COMPONENT MAINTENANCE MANUAL  
WITH  
ILLUSTRATED PARTS LIST

**32-11-20**

TITLE PAGE

01.1

Page 2

Nov 01/05



REVISION RECORD

- Retain this record in front of manual. On receipt of revision, insert revised pages in the manual, and enter revision number, date inserted and initial.

REVISION NUMBER	REVISION DATE	DATE FILED	BY	REVISION NUMBER	REVISION DATE	DATE FILED	BY

232121

**32-11-20**

REVISION RECORD

01

Page 1

Oct 10/86

TEMPORARY REVISION AND SERVICE BULLETIN RECORD

BOEING SERVICE BULLETIN	BOEING TEMPORARY REVISION	OTHER DIRECTIVE	DATE OF INCORPORATION INTO MANUAL
		PRR B10090	OCT 10/86
		PRR B10097-1	OCT 10/86
		PRR B10130-1	OCT 10/86
		PRR B10284	OCT 10/86
		PRR B10297	OCT 10/86
		PRR B10379	OCT 10/86
		PRR B10402	OCT 10/86
		PRR B10488	OCT 10/86
		PRR B10500-12	OCT 10/86
		PRR B10504	OCT 10/86
		PRR B10608	OCT 10/86
		PRR B10643	OCT 10/86
		PRR B11080	OCT 10/86
		PRR B11080-1	OCT 10/86
		PRR B11121	OCT 10/86
		PRR B11168	OCT 10/86
		PRR B11186	OCT 10/86
		PRR B11224	OCT 10/86
		PRR B11365	OCT 10/86
		PRR B11387	OCT 10/86
		PRR B11388	OCT 10/86
		PRR B11449	OCT 10/86
		PRR B11449-2	APR 01/88
		PRR B11458	OCT 10/86
		PRR B11510	OCT 10/86
		PRR B11510-1	OCT 10/86
		PRR B11510-5	APR 01/88
		PRR B11510-7	APR 01/88
		PRR B11510-8	APR 01/88
		PRR B11510-9	APR 01/88
		PRR B11624	JAN 10/87
		PRR B11629	JUL 10/87
		PRR B11667	APR 01/88
32-60		PRR B11851	JAN 01/89
		RR B41016-35	APR 01/88
32A71		RR B41016-42	APR 01/88
		PRR B11823	APR 01/90

**32-11-20**

TR & SB RECORD

01.101

Page 1

Oct 01/90

TEMPORARY REVISION AND SERVICE BULLETIN RECORD

BOEING SERVICE BULLETIN	BOEING TEMPORARY REVISION	OTHER DIRECTIVE	DATE OF INCORPORATION INTO MANUAL
32-87		PRR B11752	OCT 01/90
		MC 3245MP6037	OCT 01/90
		MC 3245MP6016	OCT 01/90
32-64		PRR B11510-10	OCT 01/90
		PRR B12042	OCT 01/90
		RR B41012	OCT 01/90
32-85		PRR B11988	JAN 01/91
		MC 3245MK6033	JAN 01/91
		MC 3245MP6033	JAN 01/91
32-93		PRR B12134	JAN 01/91
			OCT 01/91
			OCT 01/91
32-106	32-10	RR B41033-17	OCT 01/91
		MC 3245MP6054	OCT 01/91
		PRR B12391	APR 01/92
32A0125 32A0126 32-0128 32A0126, Rev.1	32-22 32-23 32-24 32-25 32-26 32-27 32-28 32-29 32-30 32-31 32-32		JUL 01/92
			APR 01/93
		PRR B12371	APR 01/93
		PRR B12478	APR 01/93
		MC 0310MP6101	APR 01/93
		RR 41036-53	OCT 01/93
			JAN 01/94
			JAN 01/94
			JAN 01/94
			JAN 01/94
			JAN 01/94
			JAN 01/94
			JAN 01/94
			JAN 01/94
			JAN 01/94
32-0130	32-45 32-46		JUN 01/94
			JUN 01/94
			JUN 01/94
32-0130	32-57	PRRC 12358	SEP 01/94
		MC 0310MP6151	SEP 01/94
			SEP 01/94
			MAR 01/95

# 32-11-20

TR &amp; SB RECORD

01.1

Page 2

Mar 01/95

TEMPORARY REVISION AND SERVICE BULLETIN RECORD

BOEING SERVICE BULLETIN	BOEING TEMPORARY REVISION	OTHER DIRECTIVE	DATE OF INCORPORATION INTO MANUAL
32-0132 32-0153		PRR B12580-1 PRR B12580-3 PRR B12580-5 PRR B12580-8 PRR B12900-69 MC 3245MK6072	SEP 01/95 SEP 01/95 SEP 01/95 MAR 01/97 JUN 01/96 MAR 01/97
32A0157		MC 3200MP6009 RR B41063-152 MC 3211MP6012K MC 3245MP6084K	MAR 01/97 MAR 01/97 JUN 01/97 JUN 01/97 MAR 01/99
32-0162		PRR B12900-141 PRR B12900-163 PRR B12737 RR B41063-218 MC 3240MP6013K RR 41001-036	MAR 01/01 MAR 01/99 MAR 01/99 JUL 01/99 NOV 01/99 NOV 01/99
32-0168 32-0183		PRR B12580-9 PRR B12580-10 MC 3245MP6100K RR B41063-220 PRR B12737-1	JUL 01/00 JUL 01/00 JUL 01/00 MAR 01/01 NOV 01/01
32A0196	32-62	PRR B12901-41S	JUL 01/02 JUL 01/04

**32-11-20**

TR & SB RECORD

01.1

Page 3

Jul 01/04



PAGE	DATE	CODE	PAGE	DATE	CODE
32-11-20			CHECK		
			501	NOV 01/99	01.1
			502	BLANK	
TITLE PAGE			REPAIR-GENERAL		
1	JUL 01/04	01.1	601	JUL 01/00	01.101
*2	NOV 01/05	01.1	602	JUL 01/00	01.1
REVISION RECORD			603	JUL 01/00	01.101
1	OCT 10/86	01	604	JUL 01/04	01.1
2	BLANK		605	JUL 01/04	01.1
TR & SB RECORD			606	BLANK	
1	OCT 01/90	01.101	REPAIR 1-1		
2	MAR 01/95	01.1	601	JUL 01/99	01.1
3	JUL 01/04	01.1	602	JUL 01/99	01.1
4	BLANK		603	JUL 01/99	01.1
LIST OF EFFECTIVE PAGES			604	NOV 01/04	01.1
*1	NOV 01/05	01	*605	NOV 01/05	01.1
THRU LAST PAGE			606	JUL 01/99	01.101
CONTENTS			REPAIR 2-1		
1	OCT 10/86	01	*601	NOV 01/05	01.1
2	BLANK		602	MAR 01/97	01.1
INTRODUCTION			REPAIR 2-2		
1	APR 01/88	01.1	601	JUL 01/04	01.1
2	BLANK		602	OCT 01/90	01.1
DESCRIPTION & OPERATION			603	NOV 01/00	01.1
1	APR 01/88	01.1	604	OCT 10/86	01
2	BLANK		605	JUN 01/94	01.1
DISASSEMBLY			606	BLANK	
301	MAR 01/01	01.1	REPAIR 3-1		
302	MAR 01/97	01.1	601	MAR 01/97	01.1
303	MAR 01/97	01.1	602	MAR 01/97	01.1
304	MAR 01/97	01.1	REPAIR 3-2		
305	MAR 01/01	01.1	601	JUL 01/04	01.1
306	BLANK		602	OCT 01/90	01.1
			603	NOV 01/02	01.1
			604	OCT 10/86	01
			605	OCT 10/86	01
			606	BLANK	

\* = REVISED, ADDED OR DELETED

**32-11-20**

EFFECTIVE PAGES  
CONTINUED Page 1  
01 Nov 01/05

PAGE	DATE	CODE	PAGE	DATE	CODE
REPAIR 4-1			REPAIR 8-2		
601	OCT 10/86	01	601	MAR 01/97	01.1
602	OCT 10/86	01	602	MAR 01/97	01.1
REPAIR 4-2			603	MAR 01/97	01.1
601	MAR 01/97	01.1	604	MAR 01/97	01.1
602	OCT 10/86	01	REPAIR 9-1		
603	SEP 01/97	01.1	601	JUL 01/04	01.1
604	OCT 10/86	01	602	JUL 01/04	01.1
605	JUL 01/93	01.1	603	JUL 01/04	01.1
606	BLANK		604	JUL 01/04	01.1
REPAIR 5-1			REPAIR 10-1		
601	JUL 01/98	01.1	601	OCT 01/93	01.1
602	OCT 10/86	01	602	OCT 01/93	01.1
603	OCT 10/86	01	603	NOV 01/00	01.1
604	BLANK		604	NOV 01/00	01.1
REPAIR 6-1			605	OCT 01/93	01.1
601	JUN 01/94	01.1	606	BLANK	
602	JUN 01/94	01.1	REPAIR 11-1		
603	MAR 01/97	01.1	601	MAR 01/97	01.1
604	MAR 01/00	01.1	602	APR 10/87	01.1
REPAIR 7-1			REPAIR 11-2		
601	OCT 10/86	01	601	JUL 01/04	01.1
602	BLANK		602	APR 10/87	01.1
REPAIR 7-2			603	NOV 01/01	01.1
601	JUL 01/04	01.1	604	OCT 10/86	01
602	MAR 01/99	01.1	605	OCT 10/86	01
603	OCT 10/86	01	606	OCT 10/86	01
604	OCT 10/86	01	607	SEP 01/97	01.1
REPAIR 8-1			608	BLANK	
601	NOV 01/99	01.1	REPAIR 11-3		
602	MAR 01/97	01.1	601	JUN 01/94	01.1
603	JUN 01/94	01.1	602	SEP 01/97	01.1
604	NOV 01/99	01.1	*603	NOV 01/05	01.1
			604	MAR 01/95	01.1
			605	MAR 01/95	01.1
			606	JUL 01/00	01.1

\* = REVISED, ADDED OR DELETED

# 32-11-20

EFFECTIVE PAGES  
 CONTINUED Page 2  
 01 Nov 01/05

PAGE	DATE	CODE	PAGE	DATE	CODE
REPAIR 12-1			REPAIR 19-1		
601	MAR 01/97	01.1	*601	NOV 01/05	01.1
602	APR 10/87	01.1	*602	NOV 01/05	01.1
REPAIR 12-2			*603	NOV 01/05	01.1
601	JUL 01/04	01.1	*604	NOV 01/05	01.1
602	APR 10/87	01.1	*605	NOV 01/05	01.1
603	SEP 01/97	01.1	*606	NOV 01/05	01.1
604	OCT 10/86	01	REPAIR 20-1		
605	OCT 10/86	01	*601	NOV 01/05	01.1
606	JUL 01/01	01.1	602	JUN 01/97	01.1
REPAIR 12-3			REPAIR 21-1		
601	SEP 01/94	01.1	601	JUL 01/04	01.1
602	SEP 01/94	01.1	602	APR 10/87	01.1
603	SEP 01/94	01.101	603	APR 10/87	01.1
604	SEP 01/97	01.1	604	BLANK	
605	NOV 01/04	01.1	REPAIR 21-2		
606	JUL 01/00	01.1	601	APR 10/87	01.1
REPAIR 13-1			602	APR 10/87	01.1
601	APR 01/93	01.1	603	APR 10/87	01.1
602	OCT 10/86	01	604	BLANK	
603	OCT 10/86	01	REPAIR 21-3		
604	BLANK		601	MAR 01/97	01.1
REPAIR 14-1			602	APR 10/87	01.1
601	OCT 10/86	01	REPAIR 22-1		
602	OCT 10/86	01	601	JUN 01/94	01.1
REPAIR 15-1			602	JUN 01/94	01.1
601	OCT 10/86	01	REPAIR 23-1		
602	OCT 10/86	01	601	APR 01/93	01.1
REPAIR 15-2			602	JUL 01/01	01.1
601	JUL 01/04	01.1	REPAIR 24-1		
602	NOV 01/98	01.1	601	JUN 01/94	01.1
603	NOV 01/98	01.1	602	JUN 01/94	01.1
604	NOV 01/98	01.1			
605	NOV 01/98	01.101			
606	NOV 01/98	01.101			

\* = REVISED, ADDED OR DELETED

**32-11-20**

EFFECTIVE PAGES  
CONTINUED Page 3  
01 Nov 01/05

PAGE	DATE	CODE	PAGE	DATE	CODE
REPAIR 25-1			REPAIR 33-1		
601	JUN 01/94	01.1	601	NOV 01/99	01.1
602	JUN 01/94	01.1	602	NOV 01/99	01.1
603	JUN 01/94	01.1	REPAIR 33-2		
604	BLANK		601	NOV 01/01	01.1
REPAIR 26-1			602	NOV 01/99	01.1
601	DEC 01/94	01.1	REPAIR 34-1		
602	JUL 01/00	01.1	601	NOV 01/99	01.1
603	JUL 01/00	01.1	602	NOV 01/99	01.1
604	BLANK		REPAIR 35-1		
REPAIR 27-1			601	NOV 01/99	01.1
601	DEC 01/94	01.1	602	NOV 01/99	01.1
602	DEC 01/94	01.1	ASSEMBLY		
REPAIR 28-1			*701	NOV 01/05	01.1
601	JUL 01/04	01.1	702	JUL 01/03	01.1
602	JUN 01/97	01.1	703	JUL 01/03	01.101
603	JUN 01/97	01.1	704	JUL 01/98	01.1
604	JUN 01/97	01.1	705	MAR 01/98	01.1
REPAIR 29-1			706	NOV 01/99	01.1
601	JUL 01/04	01.1	707	NOV 01/99	01.1
602	NOV 01/98	01.1	708	NOV 01/99	01.1
REPAIR 30-1			709	NOV 01/99	01.1
601	MAR 01/99	01.1	710	NOV 01/99	01.1
602	MAR 01/99	01.1	711	NOV 01/99	01.1
603	MAR 01/99	01.1	712	NOV 01/99	01.1
604	BLANK		713	NOV 01/99	01.1
REPAIR 31-1			714	NOV 01/99	01.1
601	NOV 01/99	01.1	715	NOV 01/99	01.1
602	MAR 01/99	01.1	716	NOV 01/99	01.1
REPAIR 32-1			717	NOV 01/99	01.1
601	MAR 01/99	01.1	718	JUL 01/03	01.1
602	MAR 01/99	01.1	719	NOV 01/04	01.1
			720	JUL 01/02	01.101
			721	JUL 01/02	01.1
			722	JUL 01/02	01.1
			723	JUL 01/03	01.1
			724	JUL 01/02	01.101
			725	JUL 01/02	01.101
			*726	NOV 01/05	01.1

\* = REVISED, ADDED OR DELETED

# 32-11-20

EFFECTIVE PAGES  
 CONTINUED Page 4  
 01 Nov 01/05



**BOEING**  
COMPONENT  
MAINTENANCE MANUAL

PAGE	DATE	CODE	PAGE	DATE	CODE
ASSEMBLY		CONT.	FITS AND CLEARANCES		CONT.
*727	NOV 01/05	01.1	807	MAR 01/01	01.1
728	JUL 01/03	01.1	808	JUL 01/02	01.1
729	JUL 01/02	01.101	809	MAR 01/00	01.1
730	JUL 01/03	01.1	810	NOV 01/99	01.1
731	JUL 01/02	01.101	811	NOV 01/99	01.1
732	JUL 01/02	01.101	812	NOV 01/99	01.1
733	JUL 01/02	01.101	813	MAR 01/02	01.1
734	JUL 01/02	01.101	814	BLANK	
735	JUL 01/02	01.101			
736	JUL 01/02	01.101	SPECIAL TOOLS		
737	JUL 01/02	01.101	901	MAR 01/01	01.1
738	JUL 01/02	01.101	902	BLANK	
739	JUL 01/02	01.101			
740	JUL 01/02	01.101	ILLUSTRATED PARTS LIST		
741	JUL 01/02	01.101	1001	OCT 10/86	01
742	JUL 01/02	01.101	*1002	NOV 01/05	01.1
743	JUL 01/02	01.101	*1003	NOV 01/05	01.1
744	JUL 01/02	01.101	*1004	NOV 01/05	01.1
745	JUL 01/02	01.101	*1005	NOV 01/05	01.1
746	JUL 01/02	01.101	*1006	NOV 01/05	01.1
747	JUL 01/02	01.101	*1007	NOV 01/05	01.1
748	JUL 01/02	01.101	*1008	NOV 01/05	01.1
749	JUL 01/02	01.101	*1009	NOV 01/05	01.1
750	JUL 01/03	01.1	*1010	NOV 01/05	01.1
751	JUL 01/02	01.101	*1011	NOV 01/05	01.1
752	JUL 01/02	01.101	*1012	NOV 01/05	01.1
753	JUL 01/02	01.101	*1013	NOV 01/05	01.1
754	JUL 01/02	01.101	*1014	NOV 01/05	01.1
755	JUL 01/02	01.101	*1015	NOV 01/05	01.1
756	JUL 01/02	01.101	*1016	NOV 01/05	01.1
757	JUL 01/02	01.101	*1017	NOV 01/05	01.1
758	JUL 01/02	01.101	*1018	NOV 01/05	01.1
759	JUL 01/02	01.101	*1019	NOV 01/05	01.1
760	JUL 01/02	01.101	*1020	NOV 01/05	01.1
			*1021	NOV 01/05	01.1
FITS AND CLEARANCES			*1022	NOV 01/05	01.1
801	APR 01/88	01.1	*1023	NOV 01/05	01.1
802	NOV 01/99	01.1	*1024	NOV 01/05	01.1
803	NOV 01/99	01.1	*1025	NOV 01/05	01.1
804	NOV 01/99	01.1	*1026	NOV 01/05	01.1
805	NOV 01/99	01.1	*1027	NOV 01/05	01.1
806	NOV 01/99	01.1	*1028	NOV 01/05	01.1

\* = REVISED, ADDED OR DELETED

**32-11-20**

EFFECTIVE PAGES  
CONTINUED Page 5  
01 Nov 01/05

PAGE	DATE	CODE	PAGE	DATE	CODE
ILLUSTRATED PARTS LIST		CONT.	ILLUSTRATED PARTS LIST		CONT.
*1029	NOV 01/05	01.1	*1042C	NOV 01/05	01.1
*1030	NOV 01/05	01.1	*1042D	NOV 01/05	01.1
*1031	NOV 01/05	01.1	*1042E	NOV 01/05	01.1
*1032	NOV 01/05	01.1	*1042F	NOV 01/05	01.1
*1033	NOV 01/05	01.1	*1042G	NOV 01/05	01.1
*1034	NOV 01/05	01.1	*1042H	NOV 01/05	01.1
*1035	NOV 01/05	01.1	*1042I	NOV 01/05	01.1
*1036	NOV 01/05	01.1	*1042J	NOV 01/05	01.1
*1037	NOV 01/05	01.1	*1042K	NOV 01/05	01.1
*1038	NOV 01/05	01.1	*1042L	NOV 01/05	01.1
*1039	NOV 01/05	01.1	*1042M	NOV 01/05	01.1
*1040	NOV 01/05	01.1	*1042N	NOV 01/05	01.1
*1040A	NOV 01/05	01.1	*1042O	NOV 01/05	01.1
*1040B	NOV 01/05	01.1	*1042P	NOV 01/05	01.1
*1040C	NOV 01/05	01.1	*1042Q	NOV 01/05	01.1
*1040D	NOV 01/05	01.1	*1042R	NOV 01/05	01.1
*1040E	NOV 01/05	01.1	*1042S	NOV 01/05	01.1
*1040F	NOV 01/05	01.1	*1042T	NOV 01/05	01.1
*1040G	NOV 01/05	01.1	*1042U	NOV 01/05	01.1
*1040H	NOV 01/05	01.1	*1042V	NOV 01/05	01.1
*1040I	NOV 01/05	01.1	*1042W	NOV 01/05	01.1
*1040J	NOV 01/05	01.1	*1042X	NOV 01/05	01.1
*1040K	NOV 01/05	01.1	*1042Y	NOV 01/05	01.1
*1040L	NOV 01/05	01.1	*1042Z	NOV 01/05	01.1
*1040M	NOV 01/05	01.1	*1043	NOV 01/05	01.1
*1040N	NOV 01/05	01.1	*1044	NOV 01/05	01.1
*1040O	NOV 01/05	01.1	*1044A	NOV 01/05	01.1
*1040P	NOV 01/05	01.1	*1044B	NOV 01/05	01.1
*1040Q	NOV 01/05	01.1	*1044C	NOV 01/05	01.1
*1040R	NOV 01/05	01.1	*1044D	NOV 01/05	01.1
*1040S	NOV 01/05	01.1	*1044E	NOV 01/05	01.1
*1040T	NOV 01/05	01.1	*1044F	NOV 01/05	01.1
*1040U	NOV 01/05	01.1	*1044G	NOV 01/05	01.1
*1040V	NOV 01/05	01.1	*1044H	NOV 01/05	01.1
*1040W	NOV 01/05	01.1	*1044I	NOV 01/05	01.1
*1040X	NOV 01/05	01.1	*1044J	NOV 01/05	01.1
*1040Y	NOV 01/05	01.1	*1044K	NOV 01/05	01.1
*1040Z	NOV 01/05	01.1	*1044L	NOV 01/05	01.1
*1041	NOV 01/05	01.1	*1044M	NOV 01/05	01.1
*1042	NOV 01/05	01.1	*1044N	NOV 01/05	01.1
*1042A	NOV 01/05	01.1	1044O	BLANK	
*1042B	NOV 01/05	01.1	*1044P	NOV 01/05	01.1

\* = REVISED, ADDED OR DELETED

# 32-11-20

EFFECTIVE PAGES  
 CONTINUED Page 6  
 01 Nov 01/05

PAGE	DATE	CODE	PAGE	DATE	CODE
ILLUSTRATED PARTS LIST		CONT.	ILLUSTRATED PARTS LIST		CONT.
*1044Q	NOV 01/05	01.1	*1048C	NOV 01/05	01.1
*1044R	NOV 01/05	01.1	*1048D	NOV 01/05	01.1
*1044S	NOV 01/05	01.1	*1048E	NOV 01/05	01.1
*1044T	NOV 01/05	01.1	*1048F	NOV 01/05	01.1
*1044U	NOV 01/05	01.1	*1048G	NOV 01/05	01.1
*1044V	NOV 01/05	01.1	*1048H	NOV 01/05	01.1
*1044W	NOV 01/05	01.1	*1048I	NOV 01/05	01.1
*1044X	NOV 01/05	01.1	*1048J	NOV 01/05	01.1
*1044Y	NOV 01/05	01.1	*1048K	NOV 01/05	01.1
*1044Z	NOV 01/05	01.1	*1048L	NOV 01/05	01.1
*1045	NOV 01/05	01.1	*1048M	NOV 01/05	01.1
*1046	NOV 01/05	01.1	*1048N	NOV 01/05	01.1
*1046A	NOV 01/05	01.1	*1048O	NOV 01/05	01.1
*1046B	NOV 01/05	01.1	*1048P	NOV 01/05	01.1
*1046C	NOV 01/05	01.1	*1048Q	NOV 01/05	01.1
*1046D	NOV 01/05	01.1	*1048R	NOV 01/05	01.1
*1046E	NOV 01/05	01.1	*1048S	NOV 01/05	01.1
*1046F	NOV 01/05	01.1	*1048T	NOV 01/05	01.1
*1046G	NOV 01/05	01.1	*1048U	NOV 01/05	01.1
*1046H	NOV 01/05	01.1	*1048V	NOV 01/05	01.1
*1046I	NOV 01/05	01.1	*1048W	NOV 01/05	01.1
*1046J	NOV 01/05	01.1	*1048X	NOV 01/05	01.1
*1046K	NOV 01/05	01.1	*1048Y	NOV 01/05	01.1
*1046L	NOV 01/05	01.1	*1048Z	NOV 01/05	01.1
*1046M	NOV 01/05	01.1	*1049	NOV 01/05	01.1
*1046N	NOV 01/05	01.1	*1050	NOV 01/05	01.1
*1046O	NOV 01/05	01.1	*1050A	NOV 01/05	01.1
*1046P	NOV 01/05	01.1	*1050B	NOV 01/05	01.1
*1046Q	NOV 01/05	01.1	*1050C	NOV 01/05	01.1
*1046R	NOV 01/05	01.1	*1050D	NOV 01/05	01.1
*1046S	NOV 01/05	01.1	*1050E	NOV 01/05	01.1
*1046T	NOV 01/05	01.1	*1050F	NOV 01/05	01.1
*1046U	NOV 01/05	01.1	*1050G	NOV 01/05	01.1
*1046V	NOV 01/05	01.1	*1050H	NOV 01/05	01.1
*1046W	NOV 01/05	01.1	*1050I	NOV 01/05	01.1
*1046X	NOV 01/05	01.1	*1050J	NOV 01/05	01.1
*1046Y	NOV 01/05	01.1	*1050K	NOV 01/05	01.1
*1046Z	NOV 01/05	01.1	*1050L	NOV 01/05	01.1
*1047	BLANK		*1050M	NOV 01/05	01.1
*1048	NOV 01/05	01.1	*1050N	NOV 01/05	01.1
*1048A	NOV 01/05	01.1	*1050O	NOV 01/05	01.1
*1048B	NOV 01/05	01.1	*1050P	NOV 01/05	01.1

\* = REVISED, ADDED OR DELETED

**32-11-20**

EFFECTIVE PAGES  
CONTINUED Page 7  
01 Nov 01/05

PAGE	DATE	CODE	PAGE	DATE	CODE
ILLUSTRATED	PARTS LIST	CONT.	ILLUSTRATED	PARTS LIST	CONT.
*1050Q	NOV 01/05	01.1	*1054C	NOV 01/05	01.1
*1050R	NOV 01/05	01.1	*1054D	NOV 01/05	01.1
*1050S	NOV 01/05	01.1	*1054E	NOV 01/05	01.1
*1050T	NOV 01/05	01.1	*1054F	NOV 01/05	01.1
*1050U	NOV 01/05	01.1	*1054G	NOV 01/05	01.1
*1050V	NOV 01/05	01.1	*1054H	NOV 01/05	01.1
*1050W	NOV 01/05	01.1	*1054I	NOV 01/05	01.1
*1050X	NOV 01/05	01.1	*1054J	NOV 01/05	01.1
*1050Y	NOV 01/05	01.1	*1054K	NOV 01/05	01.1
*1050Z	NOV 01/05	01.1	*1054L	NOV 01/05	01.1
*1051	NOV 01/05	01.1	*1054M	NOV 01/05	01.1
*1052	NOV 01/05	01.1	*1054N	NOV 01/05	01.1
*1052A	NOV 01/05	01.1	*1054O	NOV 01/05	01.1
*1052B	NOV 01/05	01.1	*1054P	NOV 01/05	01.1
*1052C	NOV 01/05	01.1	*1054Q	NOV 01/05	01.1
*1052D	NOV 01/05	01.1	*1054R	NOV 01/05	01.1
*1052E	NOV 01/05	01.1	*1054S	NOV 01/05	01.1
*1052F	NOV 01/05	01.1	*1054T	NOV 01/05	01.1
*1052G	NOV 01/05	01.1	*1054U	NOV 01/05	01.1
*1052H	NOV 01/05	01.1	*1054V	NOV 01/05	01.1
*1052I	NOV 01/05	01.1	*1054W	NOV 01/05	01.1
*1052J	NOV 01/05	01.1	*1054X	NOV 01/05	01.1
*1052K	NOV 01/05	01.1	*1054Y	NOV 01/05	01.1
*1052L	NOV 01/05	01.1	*1054Z	NOV 01/05	01.1
*1052M	NOV 01/05	01.1	*1055	NOV 01/05	01.1
*1052N	NOV 01/05	01.1	*1056	NOV 01/05	01.1
*1052O	NOV 01/05	01.1	*1056A	NOV 01/05	01.1
*1052P	NOV 01/05	01.1	*1056B	NOV 01/05	01.1
*1052Q	NOV 01/05	01.1	*1056C	NOV 01/05	01.1
*1052R	NOV 01/05	01.1	*1056D	NOV 01/05	01.1
*1052S	NOV 01/05	01.1	*1056E	NOV 01/05	01.1
*1052T	NOV 01/05	01.1	*1056F	NOV 01/05	01.1
*1052U	NOV 01/05	01.1	*1056G	NOV 01/05	01.1
*1052V	NOV 01/05	01.1	*1056H	NOV 01/05	01.1
*1052W	NOV 01/05	01.1	*1056I	NOV 01/05	01.1
*1052X	BLANK		*1056J	NOV 01/05	01.1
*1052Y	NOV 01/05	01.1	*1056K	NOV 01/05	01.1
*1052Z	NOV 01/05	01.1	*1056L	NOV 01/05	01.1
*1053	NOV 01/05	01.1	*1056M	NOV 01/05	01.1
*1054	NOV 01/05	01.1	*1056N	NOV 01/05	01.1
*1054A	NOV 01/05	01.1	*1056O	NOV 01/05	01.1
*1054B	NOV 01/05	01.1	*1056P	NOV 01/05	01.1

\* = REVISED, ADDED OR DELETED

# 32-11-20

EFFECTIVE PAGES  
 CONTINUED Page 8  
 01 Nov 01/05



PAGE	DATE	CODE	PAGE	DATE	CODE
ILLUSTRATED PARTS LIST		CONT.	ILLUSTRATED PARTS LIST		CONT.
*1056Q	NOV 01/05	01.1	*1060C	NOV 01/05	01.1
*1056R	NOV 01/05	01.1	*1060D	NOV 01/05	01.1
*1056S	NOV 01/05	01.1	*1060E	NOV 01/05	01.1
*1056T	NOV 01/05	01.1	*1060F	NOV 01/05	01.1
*1056U	NOV 01/05	01.1	*1060G	BLANK	
*1056V	NOV 01/05	01.1	*1060H	NOV 01/05	01.1
*1056W	NOV 01/05	01.1	*1060I	NOV 01/05	01.1
*1056X	NOV 01/05	01.1	*1060J	NOV 01/05	01.1
*1056Y	NOV 01/05	01.1	*1060K	NOV 01/05	01.1
*1056Z	NOV 01/05	01.1	*1060L	BLANK	
*1057	NOV 01/05	01.1	*1060M	NOV 01/05	01.1
*1058	NOV 01/05	01.1	*1060N	NOV 01/05	01.1
*1058A	NOV 01/05	01.1	*1060O	NOV 01/05	01.1
*1058B	NOV 01/05	01.1	*1060P	NOV 01/05	01.1
*1058C	NOV 01/05	01.1	*1060Q	NOV 01/05	01.1
*1058D	NOV 01/05	01.1	*1060R	NOV 01/05	01.1
*1058E	NOV 01/05	01.1	*1060S	NOV 01/05	01.1
*1058F	NOV 01/05	01.1	*1060T	NOV 01/05	01.1
*1058G	NOV 01/05	01.1	*1060U	NOV 01/05	01.1
*1058H	NOV 01/05	01.1	*1060V	NOV 01/05	01.1
*1058I	NOV 01/05	01.1	*1060W	NOV 01/05	01.1
*1058J	NOV 01/05	01.1	*1060X	NOV 01/05	01.1
*1058K	NOV 01/05	01.1	*1060Y	NOV 01/05	01.1
*1058L	NOV 01/05	01.1	*1060Z	NOV 01/05	01.1
*1058M	NOV 01/05	01.1	*1061	NOV 01/05	01.1
*1058N	NOV 01/05	01.1	*1062	NOV 01/05	01.1
*1058O	NOV 01/05	01.1	*1062A	NOV 01/05	01.1
*1058P	NOV 01/05	01.1	*1062B	NOV 01/05	01.1
*1058Q	NOV 01/05	01.1	*1062C	NOV 01/05	01.1
*1058R	NOV 01/05	01.1	*1062D	NOV 01/05	01.1
*1058S	NOV 01/05	01.1	*1062E	NOV 01/05	01.1
*1058T	NOV 01/05	01.1	*1062F	NOV 01/05	01.1
*1058U	NOV 01/05	01.1	*1062G	NOV 01/05	01.1
*1058V	NOV 01/05	01.1	*1062H	NOV 01/05	01.1
*1058W	NOV 01/05	01.1	*1062I	NOV 01/05	01.1
*1058X	NOV 01/05	01.1	*1062J	NOV 01/05	01.1
*1058Y	NOV 01/05	01.1	*1062K	BLANK	
*1058Z	NOV 01/05	01.1	*1062L	NOV 01/05	01.1
*1059	NOV 01/05	01.1	*1062M	NOV 01/05	01.1
*1060	NOV 01/05	01.1	*1062N	NOV 01/05	01.1
*1060A	NOV 01/05	01.1	*1062O	NOV 01/05	01.1
*1060B	NOV 01/05	01.1	*1062P	NOV 01/05	01.1

\* = REVISED, ADDED OR DELETED

**32-11-20**

EFFECTIVE PAGES  
CONTINUED Page 9  
01 Nov 01/05

PAGE	DATE	CODE	PAGE	DATE	CODE
ILLUSTRATED PARTS LIST		CONT.	ILLUSTRATED PARTS LIST		CONT.
*1062Q	NOV 01/05	01.1	*1066C	NOV 01/05	01.1
*1062R	NOV 01/05	01.1	*1066D	NOV 01/05	01.1
*1062S	NOV 01/05	01.1	*1066E	NOV 01/05	01.1
*1062T	NOV 01/05	01.1	*1066F	NOV 01/05	01.1
*1062U	NOV 01/05	01.1	*1066G	NOV 01/05	01.1
*1062V	NOV 01/05	01.1	*1066H	NOV 01/05	01.1
*1062W	NOV 01/05	01.1	*1066I	NOV 01/05	01.1
*1062X	NOV 01/05	01.1	*1066J	NOV 01/05	01.1
*1062Y	NOV 01/05	01.1	*1066K	NOV 01/05	01.1
*1062Z	NOV 01/05	01.1	*1066L	NOV 01/05	01.1
*1063	NOV 01/05	01.1	*1066M	NOV 01/05	01.1
*1064	NOV 01/05	01.1	*1066N	NOV 01/05	01.1
*1064A	NOV 01/05	01.1	*1066O	NOV 01/05	01.1
*1064B	NOV 01/05	01.1	*1066P	NOV 01/05	01.1
*1064C	NOV 01/05	01.1	*1066Q	NOV 01/05	01.1
*1064D	NOV 01/05	01.1	*1066R	NOV 01/05	01.1
*1064E	NOV 01/05	01.1	*1066S	NOV 01/05	01.1
*1064F	NOV 01/05	01.1	*1066T	NOV 01/05	01.1
*1064G	NOV 01/05	01.1	*1066U	NOV 01/05	01.1
*1064H	NOV 01/05	01.1	*1066V	NOV 01/05	01.1
*1064I	NOV 01/05	01.1	*1066W	NOV 01/05	01.1
*1064J	NOV 01/05	01.1	*1066X	NOV 01/05	01.1
*1064K	NOV 01/05	01.1	*1066Y	NOV 01/05	01.1
*1064L	NOV 01/05	01.1	*1066Z	NOV 01/05	01.1
*1064M	NOV 01/05	01.1	*1067	NOV 01/05	01.1
*1064N	NOV 01/05	01.1	*1068	NOV 01/05	01.1
*1064O	NOV 01/05	01.1	*1068A	NOV 01/05	01.1
*1064P	NOV 01/05	01.1	*1068B	NOV 01/05	01.1
*1064Q	NOV 01/05	01.1	*1068C	NOV 01/05	01.1
*1064R	NOV 01/05	01.1	*1068D	BLANK	
*1064S	NOV 01/05	01.1	*1068E	NOV 01/05	01.1
*1064T	NOV 01/05	01.1	*1068F	NOV 01/05	01.1
*1064U	NOV 01/05	01.1	*1068G	NOV 01/05	01.1
*1064V	NOV 01/05	01.1	*1068H	NOV 01/05	01.1
*1064W	NOV 01/05	01.1	*1068I	NOV 01/05	01.1
*1064X	NOV 01/05	01.1	*1068J	NOV 01/05	01.1
*1064Y	NOV 01/05	01.1	*1068K	NOV 01/05	01.1
*1064Z	NOV 01/05	01.1	*1068L	NOV 01/05	01.1
*1065	NOV 01/05	01.1	*1068M	NOV 01/05	01.1
*1066	NOV 01/05	01.1	*1068N	NOV 01/05	01.1
*1066A	NOV 01/05	01.1	*1068O	NOV 01/05	01.1
*1066B	NOV 01/05	01.1	*1068P	NOV 01/05	01.1

\* = REVISED, ADDED OR DELETED

# 32-11-20

EFFECTIVE PAGES  
 CONTINUED Page 10  
 01 Nov 01/05

PAGE	DATE	CODE	PAGE	DATE	CODE
ILLUSTRATED PARTS LIST		CONT.	ILLUSTRATED PARTS LIST		CONT.
*1068Q	NOV 01/05	01.1	*1072C	NOV 01/05	01.1
*1068R	NOV 01/05	01.1	*1072D	NOV 01/05	01.1
*1068S	NOV 01/05	01.1	*1072E	NOV 01/05	01.1
*1068T	NOV 01/05	01.1	*1072F	NOV 01/05	01.1
*1068U	NOV 01/05	01.1	*1072G	NOV 01/05	01.1
*1068V	NOV 01/05	01.1	*1072H	NOV 01/05	01.1
*1068W	NOV 01/05	01.1	*1072I	NOV 01/05	01.1
*1068X	NOV 01/05	01.1	*1072J	NOV 01/05	01.1
*1068Y	NOV 01/05	01.1	*1072K	NOV 01/05	01.1
*1068Z	NOV 01/05	01.1	*1072L	NOV 01/05	01.1
*1069	NOV 01/05	01.1	*1072M	NOV 01/05	01.1
*1070	NOV 01/05	01.1	*1072N	NOV 01/05	01.1
*1070A	NOV 01/05	01.1	*1072O	NOV 01/05	01.1
*1070B	NOV 01/05	01.1	*1072P	NOV 01/05	01.1
*1070C	NOV 01/05	01.1	*1072Q	NOV 01/05	01.1
*1070D	NOV 01/05	01.1	*1072R	NOV 01/05	01.1
*1070E	NOV 01/05	01.1	*1072S	NOV 01/05	01.1
*1070F	NOV 01/05	01.1	*1072T	NOV 01/05	01.1
*1070G	NOV 01/05	01.1	*1072U	NOV 01/05	01.1
*1070H	NOV 01/05	01.1	*1072V	NOV 01/05	01.1
*1070I	BLANK		*1072W	NOV 01/05	01.1
*1070J	NOV 01/05	01.1	*1072X	NOV 01/05	01.1
*1070K	NOV 01/05	01.1	*1072Y	NOV 01/05	01.1
*1070L	NOV 01/05	01.1	*1072Z	NOV 01/05	01.1
*1070M	NOV 01/05	01.1	*1073	NOV 01/05	01.1
*1070N	NOV 01/05	01.1	*1074	NOV 01/05	01.1
*1070O	NOV 01/05	01.1	*1074A	NOV 01/05	01.1
*1070P	NOV 01/05	01.1	*1074B	NOV 01/05	01.1
*1070Q	NOV 01/05	01.1	*1074C	NOV 01/05	01.1
*1070R	NOV 01/05	01.1	*1074D	NOV 01/05	01.1
*1070S	NOV 01/05	01.1	*1074E	NOV 01/05	01.1
*1070T	NOV 01/05	01.1	*1074F	NOV 01/05	01.1
*1070U	NOV 01/05	01.1	*1074G	NOV 01/05	01.1
*1070V	NOV 01/05	01.1	*1074H	NOV 01/05	01.1
*1070W	NOV 01/05	01.1	*1074I	NOV 01/05	01.1
*1070X	NOV 01/05	01.1	*1074J	NOV 01/05	01.1
*1070Y	NOV 01/05	01.1	*1074K	NOV 01/05	01.1
*1070Z	NOV 01/05	01.1	*1074L	NOV 01/05	01.1
*1071	NOV 01/05	01.1	*1074M	NOV 01/05	01.1
*1072	NOV 01/05	01.1	*1074N	NOV 01/05	01.1
*1072A	NOV 01/05	01.1	*1074O	NOV 01/05	01.1
*1072B	NOV 01/05	01.1	*1074P	NOV 01/05	01.1

\* = REVISED, ADDED OR DELETED

**32-11-20**

EFFECTIVE PAGES  
CONTINUED Page 11  
01 Nov 01/05

PAGE	DATE	CODE	PAGE	DATE	CODE
ILLUSTRATED PARTS LIST		CONT.	ILLUSTRATED PARTS LIST		CONT.
*1074Q	NOV 01/05	01.1	*1078C	NOV 01/05	01.1
*1074R	NOV 01/05	01.1	*1078D	NOV 01/05	01.1
*1074S	NOV 01/05	01.1	*1078E	NOV 01/05	01.1
*1074T	NOV 01/05	01.1	*1078F	NOV 01/05	01.1
*1074U	NOV 01/05	01.1	*1078G	NOV 01/05	01.1
*1074V	NOV 01/05	01.1	*1078H	NOV 01/05	01.1
*1074W	NOV 01/05	01.1	*1078I	NOV 01/05	01.1
*1074X	NOV 01/05	01.1	*1078J	NOV 01/05	01.1
*1074Y	NOV 01/05	01.1	*1078K	NOV 01/05	01.1
*1074Z	NOV 01/05	01.1	*1078L	NOV 01/05	01.1
*1075	NOV 01/05	01.1	*1078M	NOV 01/05	01.1
*1076	NOV 01/05	01.1	*1078N	NOV 01/05	01.1
*1076A	NOV 01/05	01.1	*1078O	NOV 01/05	01.1
*1076B	NOV 01/05	01.1	*1078P	NOV 01/05	01.1
*1076C	NOV 01/05	01.1	*1078Q	NOV 01/05	01.1
*1076D	NOV 01/05	01.1	*1078R	NOV 01/05	01.1
*1076E	NOV 01/05	01.1	*1078S	NOV 01/05	01.1
*1076F	NOV 01/05	01.1	*1078T	NOV 01/05	01.1
*1076G	NOV 01/05	01.1	*1078U	NOV 01/05	01.1
*1076H	NOV 01/05	01.1	*1078V	NOV 01/05	01.1
*1076I	NOV 01/05	01.1	*1078W	NOV 01/05	01.1
*1076J	NOV 01/05	01.1	*1078X	NOV 01/05	01.1
*1076K	NOV 01/05	01.1	*1078Y	NOV 01/05	01.1
*1076L	NOV 01/05	01.1	*1078Z	NOV 01/05	01.1
*1076M	NOV 01/05	01.1	*1079	NOV 01/05	01.1
*1076N	NOV 01/05	01.1	*1080	NOV 01/05	01.1
*1076O	NOV 01/05	01.1	*1080A	NOV 01/05	01.1
*1076P	NOV 01/05	01.1	*1080B	NOV 01/05	01.1
*1076Q	NOV 01/05	01.1	*1080C	NOV 01/05	01.1
*1076R	NOV 01/05	01.1	*1080D	NOV 01/05	01.1
*1076S	NOV 01/05	01.1	*1080E	NOV 01/05	01.1
*1076T	NOV 01/05	01.1	*1080F	NOV 01/05	01.1
*1076U	NOV 01/05	01.1	*1080G	NOV 01/05	01.1
*1076V	NOV 01/05	01.1	*1080H	NOV 01/05	01.1
*1076W	NOV 01/05	01.1	*1080I	NOV 01/05	01.1
*1076X	NOV 01/05	01.1	*1080J	NOV 01/05	01.1
*1076Y	NOV 01/05	01.1	*1080K	NOV 01/05	01.1
*1076Z	NOV 01/05	01.1	*1080L	NOV 01/05	01.1
*1077	NOV 01/05	01.1	*1080M	NOV 01/05	01.1
*1078	NOV 01/05	01.1	*1080N	NOV 01/05	01.1
*1078A	NOV 01/05	01.1	*1080O	NOV 01/05	01.1
*1078B	NOV 01/05	01.1	*1080P	NOV 01/05	01.1

\* = REVISED, ADDED OR DELETED

# 32-11-20

EFFECTIVE PAGES  
 CONTINUED Page 12  
 01 Nov 01/05

PAGE	DATE	CODE	PAGE	DATE	CODE
ILLUSTRATED PARTS LIST		CONT.	ILLUSTRATED PARTS LIST		CONT.
*1080Q	NOV 01/05	01.1	*1084C	NOV 01/05	01.1
*1080R	NOV 01/05	01.1	*1084D	NOV 01/05	01.1
*1080S	NOV 01/05	01.1	*1084E	NOV 01/05	01.1
*1080T	NOV 01/05	01.1	*1084F	NOV 01/05	01.1
*1080U	NOV 01/05	01.1	*1084G	NOV 01/05	01.1
*1080V	NOV 01/05	01.1	*1084H	NOV 01/05	01.1
*1080W	NOV 01/05	01.1	*1084I	NOV 01/05	01.1
*1080X	NOV 01/05	01.1	*1084J	NOV 01/05	01.1
*1080Y	NOV 01/05	01.1	*1084K	NOV 01/05	01.1
*1080Z	NOV 01/05	01.1	*1084L	NOV 01/05	01.1
*1081	NOV 01/05	01.1	*1084M	NOV 01/05	01.1
*1082	NOV 01/05	01.1	*1084N	NOV 01/05	01.1
*1082A	NOV 01/05	01.1	*1084O	NOV 01/05	01.1
*1082B	NOV 01/05	01.1	*1084P	NOV 01/05	01.1
*1082C	NOV 01/05	01.1	*1084Q	NOV 01/05	01.1
*1082D	NOV 01/05	01.1	*1084R	NOV 01/05	01.1
*1082E	NOV 01/05	01.1	*1084S	NOV 01/05	01.1
*1082F	NOV 01/05	01.1	*1084T	NOV 01/05	01.1
*1082G	NOV 01/05	01.1	*1084U	NOV 01/05	01.1
*1082H	NOV 01/05	01.1	*1084V	NOV 01/05	01.1
*1082I	NOV 01/05	01.1	*1084W	NOV 01/05	01.1
*1082J	NOV 01/05	01.1	*1084X	NOV 01/05	01.1
*1082K	NOV 01/05	01.1	*1084Y	NOV 01/05	01.1
*1082L	NOV 01/05	01.1	*1084Z	NOV 01/05	01.1
*1082M	NOV 01/05	01.1	*1085	NOV 01/05	01.1
*1082N	NOV 01/05	01.1	*1086	NOV 01/05	01.1
*1082O	NOV 01/05	01.1	*1086A	NOV 01/05	01.1
*1082P	NOV 01/05	01.1	*1086B	NOV 01/05	01.1
*1082Q	NOV 01/05	01.1	*1086C	NOV 01/05	01.1
*1082R	NOV 01/05	01.1	*1086D	NOV 01/05	01.1
*1082S	NOV 01/05	01.1	*1086E	NOV 01/05	01.1
*1082T	NOV 01/05	01.1	*1086F	NOV 01/05	01.1
*1082U	NOV 01/05	01.1	*1086G	NOV 01/05	01.1
*1082V	NOV 01/05	01.1	*1086H	NOV 01/05	01.1
*1082W	NOV 01/05	01.1	*1086I	NOV 01/05	01.1
*1082X	NOV 01/05	01.1	*1086J	NOV 01/05	01.1
*1082Y	NOV 01/05	01.1	*1086K	NOV 01/05	01.1
*1082Z	NOV 01/05	01.1	*1086L	NOV 01/05	01.1
*1083	NOV 01/05	01.1	*1086M	NOV 01/05	01.1
*1084	NOV 01/05	01.1	*1086N	NOV 01/05	01.1
*1084A	NOV 01/05	01.1	*1086O	NOV 01/05	01.1
*1084B	NOV 01/05	01.1	*1086P	NOV 01/05	01.1

\* = REVISED, ADDED OR DELETED

**32-11-20**

EFFECTIVE PAGES  
CONTINUED Page 13  
01 Nov 01/05

PAGE	DATE	CODE	PAGE	DATE	CODE
ILLUSTRATED PARTS LIST		CONT.	ILLUSTRATED PARTS LIST		CONT.
*1086Q	NOV 01/05	01.1	*1090C	NOV 01/05	01.1
*1086R	NOV 01/05	01.1	*1090D	NOV 01/05	01.1
*1086S	NOV 01/05	01.1	*1090E	NOV 01/05	01.1
*1086T	NOV 01/05	01.1	*1090F	NOV 01/05	01.1
*1086U	NOV 01/05	01.1	*1090G	NOV 01/05	01.1
*1086V	NOV 01/05	01.1	*1090H	NOV 01/05	01.1
*1086W	NOV 01/05	01.1	*1090I	NOV 01/05	01.1
*1086X	NOV 01/05	01.1	*1090J	NOV 01/05	01.1
*1086Y	NOV 01/05	01.1	*1090K	NOV 01/05	01.1
*1086Z	NOV 01/05	01.1	*1090L	NOV 01/05	01.1
*1087	NOV 01/05	01.1	*1090M	NOV 01/05	01.1
*1088	NOV 01/05	01.1	*1090N	NOV 01/05	01.1
*1088A	NOV 01/05	01.1	*1090O	NOV 01/05	01.1
*1088B	NOV 01/05	01.1	*1090P	NOV 01/05	01.1
*1088C	NOV 01/05	01.1	*1090Q	NOV 01/05	01.1
*1088D	NOV 01/05	01.1	*1090R	NOV 01/05	01.1
*1088E	NOV 01/05	01.1	*1090S	NOV 01/05	01.1
*1088F	NOV 01/05	01.1	*1090T	BLANK	
*1088G	NOV 01/05	01.1	*1090U	NOV 01/05	01.1
*1088H	NOV 01/05	01.1	*1090V	NOV 01/05	01.1
*1088I	NOV 01/05	01.1	*1090W	NOV 01/05	01.1
*1088J	NOV 01/05	01.1	*1090X	NOV 01/05	01.1
*1088K	NOV 01/05	01.1	*1090Y	NOV 01/05	01.1
*1088L	NOV 01/05	01.1	*1090Z	NOV 01/05	01.1
*1088M	NOV 01/05	01.1	*1091	NOV 01/05	01.1
*1088N	NOV 01/05	01.1	*1092	NOV 01/05	01.1
*1088O	NOV 01/05	01.1			
*1088P	NOV 01/05	01.1			
*1088Q	NOV 01/05	01.1			
*1088R	NOV 01/05	01.1			
*1088S	NOV 01/05	01.1			
*1088T	NOV 01/05	01.1			
*1088U	NOV 01/05	01.1			
*1088V	NOV 01/05	01.1			
*1088W	NOV 01/05	01.1			
*1088X	NOV 01/05	01.1			
*1088Y	NOV 01/05	01.1			
*1088Z	NOV 01/05	01.1			
*1089	NOV 01/05	01.1			
*1090	NOV 01/05	01.1			
*1090A	NOV 01/05	01.1			
*1090B	NOV 01/05	01.1			

\* = REVISED, ADDED OR DELETED

# 32-11-20

EFFECTIVE PAGES  
 LAST PAGE Page 14  
 01 Nov 01/05



TABLE OF CONTENTS

<u>Paragraph Title</u>	<u>Page</u>
Description and Operation . . . . .	1
Testing and Trouble Shooting (Not applicable)	
Disassembly. . . . .	301
Cleaning . . . . . * [1]	
Check. . . . .	501
Repair . . . . .	601
Assembly . . . . .	701
Fits and Clearances. . . . .	801
Special Tools. . . . .	901
Illustrated Parts List . . . . .	1001

\*[1] Special instructions not required. Use standard industry practices.

## INTRODUCTION

The instructions in this manual provide the information necessary to perform maintenance functions ranging from simple checks and replacement to complete shop-type repair.

This manual is divided into separate sections:

- |   |                              |
|---|------------------------------|
| 1. Title Page                                       | 4. List of Effective Pages   |
| 2. Record of Revisions                              | 5. Table of Contents         |
| 3. Temporary Revisions &<br>Service Bulletin Record | 6. Introduction              |
|   | 7. Procedures & IPL Sections |

Refer to the Table of Contents for the page location of applicable sections. An asterisked flagnote \*[ ] in place of the page number indicates that no special instructions are provided since the function can be performed using standard industry practices.

The beginning of the REPAIR section includes a list of the separate repairs, a list of applicable standard Boeing practices, and an explanation of the True Position Dimensioning symbols used.

An explanation of the use of the Illustrated Parts List is provided in the Introduction to that section.

All weights and measurements used in the manual are in English units, unless otherwise stated. When metric equivalents are given they will be in parentheses following the English units.

Design changes, optional parts, configuration differences and Service Bulletin modifications create alternate part numbers. These are identified in the Illustrated Parts List (IPL) by adding an alphabetical character to the basic item number. The resulting item number is called an alpha-variant. Throughout the manual, IPL basic item number references also apply to alpha-variants unless otherwise indicated.

Verification:

Disassembly -- Oct 31/86  
Assembly -- Oct 31/86

**32-11-20**

INTRODUCTION

01.1

Page 1

Apr 01/88



MAIN GEAR BUILDUP ASSEMBLY

DESCRIPTION AND OPERATION

1. The main gear buildup consists of the main gear component assembly, bogie beam assembly, wheel and tire assemblies, brakes, truck positioner actuator, sensors for truck tilt, brake temperature, and antiskid control; hydraulic tubing, electrical wiring and conduit.
2. The assembly supports the airplane on the ground, absorbs landing and taxiing shocks, and dampens vibrations.
3. Leading Particulars (Approximate)

Width -- 60 inches  
Height -- 130 inches  
Length -- 100 inches  
Weight -- 4000 pounds

32-11-20

DESCRIPTION & OPERATION

01.1

Page 1

Apr 01/88

DISASSEMBLY

1. Equipment

NOTE: Equivalent substitutes may be used.

- A. F70312-29 -- Crowfoot wrench adapter, nut 161T6019
- B. F70312-32 -- Crowfoot wrench adapter, nut 161T2015
- C. F70312-46 -- Crowfoot wrench adapter, nut 161T1306
- D. A32007-17 -- Protector equipment, axle and axle thread (Replaces A32007-16)
- E. A32012-13 -- Wrench, wheel retaining nut
- F. A32016-13 -- Pin puller, brake rod
- G. A32028-6 -- Retention strap, shock strut inner cylinder
- H. A32031-5 -- Turnbuckle, truck positioner actuator (Replaces A32031-4, which supersedes A32031-1).
- I. A32033-17 -- Main gear sling
- J. A32056-1 -- Buildup stand (optional to B32050-1)
- K. A32069-1 -- Wrench adapter, antiskid transducer retainer nut
- L. B32050-1 -- Buildup fixture

2. Parts Replacement

NOTE: Replacement of parts may be based on in-service experience. However, it is recommended that the following parts be replaced.

- A. All O-rings and cotter pins.

3. Disassembly

CAUTION: BEFORE LIFTING ASSEMBLY, CHECK THAT SHOCK STRUT RETENTION STRAP IS INSTALLED TO PREVENT ACCIDENTAL EXTENSION OF SHOCK STRUT.

- A. Using sling A32033-17, position buildup in stand A32056-1 or B32050-1.

**32-11-20**

DISASSEMBLY

01.1

Page 301

Mar 01/01

**WARNING:** DO NOT REMOVE WHEEL AND TIRE ASSEMBLIES UNTIL TIRES HAVE BEEN DEFLATED OR INJURY TO PERSONNEL MAY RESULT.

B. Remove wheels and tires (for buildups without tire pressure indication system (TPIS)(IPL Fig. 17 or 18).

**WARNING:** DO NOT REMOVE VALVE CORE UNTIL TIRE IS FULLY DEFLATED OR CORE WILL BE EJECTED AT HIGH VELOCITY AND MAY INJURE PERSONNEL.

- (1) Deflate tires by removing valve cap and depressing valve core to release pressure completely. Then remove valve core of fill valve (15, IPL Fig. 80). Do not remove counterbalance components unless repair or replacement is necessary.
- (2) Remove hubcaps and antiskid components from hubcaps.
- (3) Position wheel dolly under wheel and tire.
- (4) Remove nuts (428), washers (425), bolts (422).
- (5) Remove nuts (440) using wrench A32012-13; then remove washers (443). Install axle thread protector on end of axle. Then remove wheels and tires from buildup.
- (6) Remove transducer assembly and disconnect wires.
- (7) Remove thread protector from axle. Install axle protector; then reinstall axle thread protector.

C. Remove wheels and tires (for buildups with tire pressure indication system) (TPIS) (1, IPL Fig. 10 or 5, IPL Fig. 9).

**NOTE:** All item numbers below refer to IPL Fig. 10 unless otherwise noted.

**32-11-20**

DISASSEMBLY

01.1

Page 302

Mar 01/97

**WARNING:** DO NOT REMOVE VALVE CORE UNTIL TIRE IS FULLY DEFLATED  
OR CORE WILL BE EJECTED AT HIGH VELOCITY AND MAY INJURE  
PERSONNEL.

- (1) Deflate tires by removing valve cap and depressing valve core to release pressure completely. Then remove valve core of fill valve (15, IPL Fig. 80). Do not remove counterbalance components unless repair or replacement is necessary.
- (2) Disconnect the conduit plug of the pressure sensor (110) and install the seal cap (135) on the pressure holder (140).

**NOTE:** The seal cap should be stored as flyaway equipment on the plane.

- (3) Remove clamp (10) from hubcap assembly (15).

**CAUTION:** DO NOT PULL ON THE CONDUIT OF THE PRESSURE SENSOR (110)  
WHEN THE HUBCAP ASSEMBLY IS IN PLACE.

- (4) Remove and disassemble hubcap assembly (15).
  - (a) Remove screw (25), washers (30), bolts (20), driver (40) and coupling assembly (35).
- (5) Remove screw (85), washer (90) and retainer nut (95). Carefully pull out antiskid assembly (50) with attached sensor (110), spacer (120) and grommet (125).
- (6) Do not disassemble antiskid assembly (50) unless necessary for repair or replacement.
- (7) Position wheel dolly under wheel and tire.
- (8) Remove nuts (440, IPL Fig. 17 or 18) using wrench A32012-13; then remove washer (443, IPL Fig. 17 or 18). Install axle thread protector on end of axle and remove wheels and tires from buildup.
- (9) Remove transducer assembly (60) and disconnect wires.
- (10) Remove thread protector from axle. Install axle protector, then reinstall axle thread protector.

**32-11-20**

DISASSEMBLY

01.1

Page 303

Mar 01/97

D. Remove brakes.

- (1) Disconnect hydraulic lines from brake disconnects. Drain hydraulic fluid into a suitable container.
- (2) Disconnect wires at brake temperature sensors.
- (3) On buildups with carbon brakes that have the post SB 32A0126 configuration, remove the keeper hardware (477 thru 478K, IPL Fig. 17 or 18) or fasteners (474, 478E or 478F, 475, 475J or 475K, IPL Fig. 17 or 18).
- (4) Pull pins from brake rods at brakes, using puller A32016-13. Disconnect brake rods from brakes.
- (5) Remove brakes from axle. Cover exposed bushings on axle for protection against damage.

E. Bogie Beam Base

- (1) Unfasten conduit fittings and clamps from base.
- (2) Unfasten and remove clamps around bogie beam and remove base.

F. Remove brake temperature sensors from brakes.

G. Remove electrical harness.

- (1) Remove clamps and blocks from harness.
- (2) Remove nuts and washers that fasten boxes to gear.
- (3) Remove brackets and supports from gear.
- (4) Remove harness from gear.

H. Remove hydraulic components.

- (1) Hoses and Tubing
  - (a) Remove all clamps and fasteners from hydraulic hoses and tubing.

**32-11-20**

DISASSEMBLY

01.1

Page 304

Mar 01/97

- (b) Disconnect hydraulic lines at lowest points and drain remaining hydraulic fluid into a suitable container.
- (c) Unscrew hydraulic lines and tubing from fittings and remove from gear.
- (d) Remove clamps from shock strut and bogie beam.

(2) Brake Disconnect Valves

- (a) On buildups with carbon brakes that have the post SB 32A0125 configuration, remove retainer hardware (273 thru 274T, IPL Fig. 2).
- (b) Remove brake disconnects from brakes.

(3) Truck Positioner

- (a) Remove parts (350 thru 365, IPL Fig. 17 or 18) and disconnect the truck positioner (866) from the shock strut.
- (b) Remove bolt (826) and retainer (859). Remove parts (823, 832, 829, 838), and remove the truck positioner (866) and support (841) from bogie beam (IPL Fig. 2).
- (c) Install the A32031 turnbuckle between the shock strut and bogie beam, to prevent relative movement.

I. Hydraulic Support Components

**NOTE:** Do not disassemble brackets unless repair or replacement is necessary.

- (1) Remove bolts, clips, clamps, blocks which attach remaining brackets.
- (2) Remove tubing support brackets from torsion links.

J. Refer to 32-11-30 for overhaul of main gear component assembly. Refer to 32-32-55 for overhaul of truck positioner. Refer to 32-10-51 and 32-10-52 for overhaul of wiring harness. Refer to appropriate vendor's instructions for overhaul of wheels and tires, brakes, sensors, and fill valves.

**32-11-20**

DISASSEMBLY

01.1

Page 305

Mar 01/01

CHECK

1. Examine all parts for defects by standard industry practices. Refer to Fits and Clearances for design dimensions and wear limits.
2. Refer to CMM 32-10-51 and 32-10-52 for check of wire harness.
3. Examine bolt (464, IPL Fig. 17 or 18) per SB 32-0128.
4. Magnetic particle check per SOPM 20-20-01:
  - A. IPL Fig. 17 or 18 -- nuts (15, 302, 332, 440), washer (16), pins (17, 20, 465, 482), bolts (23, 111, 359, 475), race (27A), housing (37), fittings (79, 82, 182, 185, 224, 227), spindles (317, 347), washers (443, 687), spacer (461).
  - B. IPL Fig. 2 -- Pin (823), washers (832, 838).
5. Penetrant check per SOPM 20-20-02:
  - A. IPL Fig. 17 or 18 -- Door fitting (96, 99), hubcap (382), support (431), nut (434).
  - B. IPL Fig. 2 -- Support (856), retainer (859).
  - C. IPL Fig. 9 -- Nut (285).

**32-11-20**

CHECK

01.1

Page 501

Nov 01/99

REPAIR – GENERAL

1. Content

A. Repair, refinish and replacement procedures are included in separate repair sections as follows:

<u>P/N</u>	<u>NAME</u>	<u>REPAIR</u>
113T8222	FITTING ASSY, DOOR STRUT ATTACH	1-1
161T1172	FITTING ASSY, DRAG STRUT DOWNLOCK	2-1, 2-2
161T1173	FITTING ASSY, SIDE STRUT DOWNLOCK	3-1, 3-2
161T1174	FITTING ASSY, DOWNLOCK ACTUATOR	4-1, 4-2
161T1183	BOLT ASSY	5-1
161T1201	PIN ASSY, BRAKE ATTACHMENT	6-1
161T1301	RACE ASSY	7-1, 7-2

32-11-20

REPAIR-GENERAL

01.101

Page 601

Jul 01/00



161T1303	HOUSING ASSY	8-1, 8-2
161T1306	BOLT	9-1
161T1315	BOLT	9-1
161T1307	BOLT ASSY	10-1
161T2008	SPINDLE ASSY, SIDE STRUT LWR	11-1, 11-2, 11-3
161T6005	SPINDLE ASSY, DRAG STRUT LWR	12-1, 12-2, 12-3
272T6129	SADDLE ASSY	13-1
273T6131	PIN, TRUCK POSITIONER ATTACH	14-1
273T6134	SUPPORT ASSY, HOSE	15-1, 15-2
161T1017	DELETED	16-1, 16-2
161T1136	DELETED	17-1, 17-2
161T1180	DELETED	18-1

**32-11-20**

REPAIR-GENERAL

01.1

Page 602

Jul 01/00

<u>P/N</u>	<u>NAME</u>	<u>REPAIR</u>
---	MISCELLANEOUS PARTS REFINISH	19-1
---	BUSHING SEALING	20-1
161T1240	FAN AND DRIVE ASSY	21-1, 21-2, 21-3
161T1305	RING, RETAINER	22-1
161T1202	WHEEL SPACER	23-1
161T1024	BULKHEAD	24-1
161T1025	PIN	25-1
161T1019	PIN	26-1
161T1020	BOLT	27-1
---	EXTERNAL MARKING REPLACEMENT	28-1
272T6124	HOSE	29-1
161T1246	RING, MOUNTING	30-1
161T1207	PIN	31-1
161T1204	NUT	32-1
161T1323	HOUSING ASSY	33-1, 33-2
161T1326	PIN ASSY	34-1
161T1329	SHEAR PIN	35-1

## 2. Standard Practices

- A. Refer to the following standard practices, as applicable, for details of procedures in individual repairs.

**32-11-20**

REPAIR-GENERAL

01.101

Page 603

Jul 01/00

20-00-00	Introduction
20-10-01	Repair and Refinish of High Strength Steel Parts
20-10-04	Grinding of Chrome Plated Parts
20-11-03	Repair of Electrical Terminations and Electrical Bonding Areas
20-12-01	Soldering Electrical Connections
20-20-01	Magnetic Particle Inspection
20-20-02	Penetrant Methods of Inspection
20-30-04	Stripping of Protective Finishes
20-30-03	General Cleaning Procedures
20-41-01	Decoding Table for Boeing Finish Codes
20-42-02	Low Hydrogen Embrittlement Cadmium - Titanium Alloy Plating
20-42-03	Hard Chrome Plating
20-43-01	Chromic Acid Anodizing
20-43-03	Chemical Conversion Coatings for Aluminum
20-50-03	Bearing and Bushing Replacement
20-50-10	Application of Stencils, Insignia, Silk Screen, Part Numbering and Identification Markings
20-50-12	Application of Adhesives
20-60-02	Finishing Materials
20-60-03	Lubricants
20-60-04	Miscellaneous Materials
32-00-02	Landing Gear Attachment Parts Top Coat Application
32-00-03	Landing Gear Parts Lubrication Fitting Replacement
32-00-05	Repair of High Strength Steel Landing Gear Parts

### 3. Materials

NOTE: Equivalent substitutes can be used.

- | A. Primer -- BMS 10-11, type 1 (SOPM 20-60-02)
- | B. Enamel -- BMS 10-60 (SOPM 20-60-02)
- | C. Protective Finish, Clear -- Type 41 (SOPM 20-60-02)
- | D. Sealant -- BMS 5-95 (replaces BMS 5-79) (SOPM 20-60-04)
- | E. Grease -- MIL-G-23827 (SOPM 20-60-03)
- | F. Grease -- BMS 3-24 (SOPM 20-60-03)

**32-11-20**

REPAIR-GENERAL

01.1

Page 604

Jul 01/04

- | G. Grease -- BMS 3-33 (SOPM 20-60-03)
- | H. Corrosion Preventive Compound -- MIL-C-11796 (SOPM 20-60-02)
- | I. Adhesive -- Type 60 (SOPM 20-50-12)
- | J. Corrosion Preventive Compound -- BMS 3-27 (SOPM 20-60-02)

4. Dimensioning Symbols

- A. Standard True Position Dimensioning Symbols used in applicable repair procedures are shown in SOPM 20-00-00.

**32-11-20**

REPAIR-GENERAL

01.1

Page 605

Jul 01/04

DOOR STRUT ATTACH FITTING ASSEMBLY – REPAIR 1-1

113T8222-1, -2

**NOTE:** Refer to REPAIR-GENERAL for a list of applicable standard practices, and to IPL Fig. 17 or 18 for item numbers. For repair of surfaces which is only replacement of the original finish, refer to Refinish instructions, Fig. 601.

1. Bushing or Sleeve Replacement (Fig. 601)

- A. Remove bushings or sleeves.
- B. Install new bushings or sleeves by the shrink-fit method.
- C. Examine the dimensions and machine them as necessary to design dimensions and finish.
- D. Seal the bushings as shown.

2. Lug Holes (Fig. 601)

A. Installation of Oversize Bushings or Repair Sleeves

- (1) Machine as required, within repair limits, to remove defects.
- (2) Shot peen. Chemical treat. Apply primer, BMS 10-11 type 1.
- (3) Make bushings or repair sleeves (Fig. 602 and on), as necessary, to make allowance for amount of material removed in step (1).
- (4) Install bushings or sleeves per par. 1.

3. Lug Faces (Fig. 601)

- A. Machine as required, within repair limits, to remove defects.

**32-11-20**

REPAIR 1-1

01.1

Page 601

Jul 01/99

| B. Refinish as indicated.

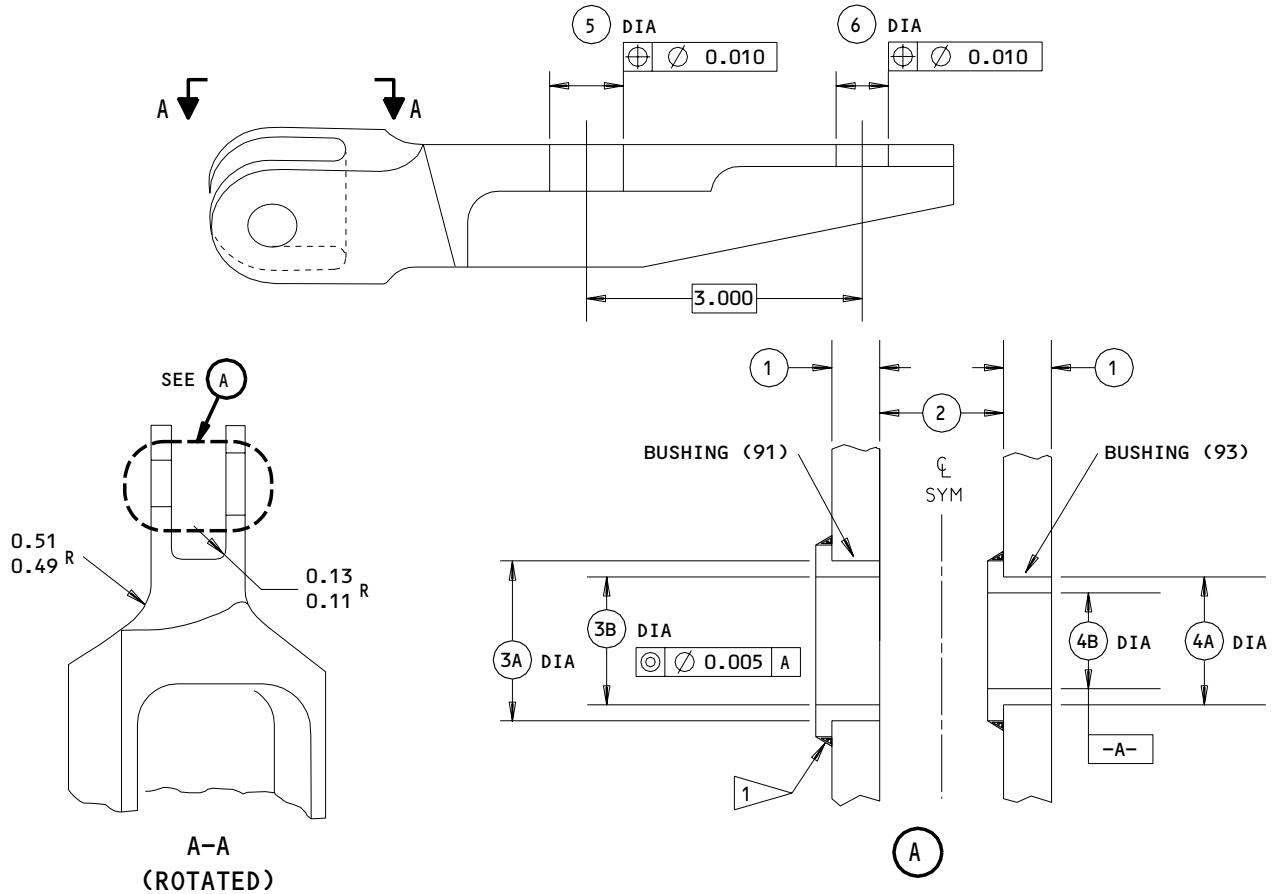
**32-11-20**

REPAIR 1-1

01.1

Page 602

Jul 01/99



REFERENCE NUMBER	1	2	3A	3B	4A	4B	5	6
DESIGN DIMENSION	0.22 0.20	0.57 0.55	0.6882 0.6875	0.5627 0.5620	0.5006 0.5000	0.3756 0.3750	0.8913 0.8906	0.772 0.765
REPAIR LIMIT	0.15 3	---	0.7482 2	---	0.5606 2	---	0.9851 2	0.8658 2

**REFINISH**

CHROMIC ACID ANODIZE AND APPLY PRIMER, BMS 10-11, TYPE 1 (F-18.13) FOLLOWED BY ENAMEL, BMS 10-60, COLOR 707 (SRF-14.9813)

- 1 FILLET SEAL FLANGE WITH SEALANT BMS 5-95
- 2 LIMIT FOR INSTL OF OVERSIZE BUSHING OR REPAIR SLEEVE
- 3 RESTORATION TO DESIGN DIMENSION NOT REQUIRED

**REPAIR**

REF 2

125/ ALL MACHINED SURFACES UNLESS SHOWN DIFFERENTLY

SHOT PEEN: 0.023-0.055 SHOT SIZE  
0.012 A2 INTENSITY

MATERIAL: AL ALLOY

ITEM NUMBERS REFER TO IPL FIG. 17 OR 18  
ALL DIMENSIONS ARE IN INCHES

113T8222-1,-2  
Door Strut Attach Fitting Repair and Refinish  
Figure 601

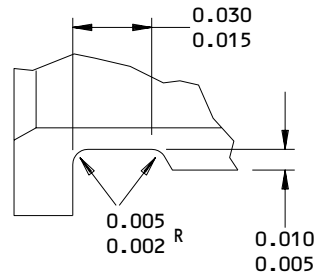
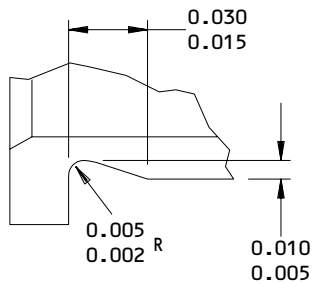
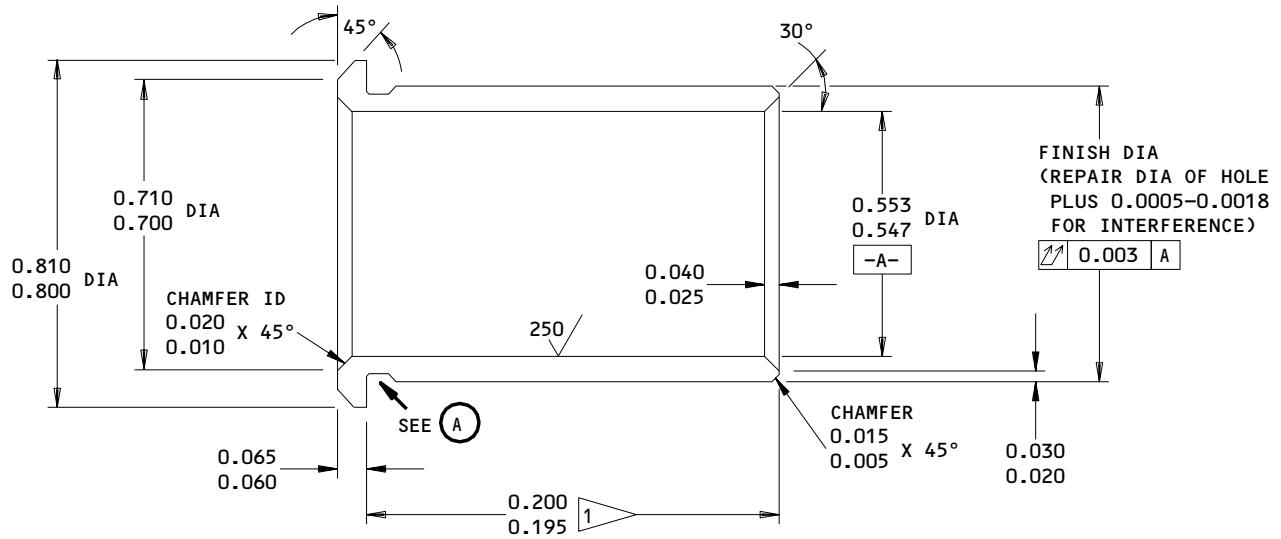
**32-11-20**

REPAIR 1-1

01.1

Page 603

Jul 01/99



(A)

1 MINUS AMOUNT REMOVED FROM LUG FACE(S)

63 ALL MACHINED SURFACES UNLESS SHOWN DIFFERENTLY

BREAK ALL SHARP EDGES

CADMIUM PLATE (F-15.06) OR ZINC-NICKEL PLATE (F-15.40) ALL OVER (OPT IN BORE)

MATERIAL: AL-NI-BRZ PER AMS 4640 OR 4880

ALL DIMENSIONS ARE IN INCHES

HOLE LOCATION (3A) FIG. 601 - REPLACES BUSHING (91) BACB28AM09B020A

Oversize Bushing Details  
 Figure 602

**32-11-20**

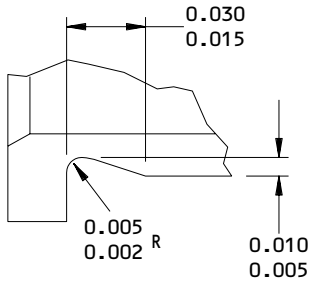
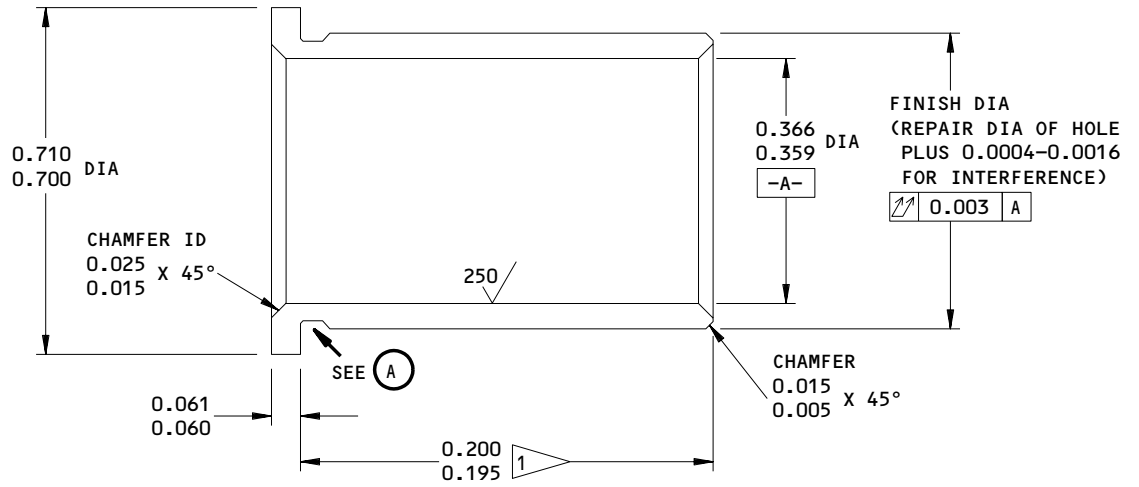
REPAIR 1-1

01.1

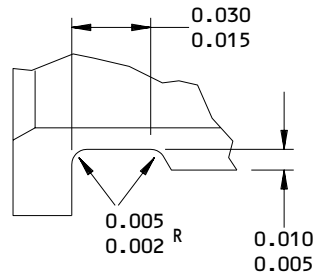
Page 604

Nov 01/04





(A)



1 MINUS AMOUNT REMOVED FROM LUG FACE(S)

63 ALL MACHINED SURFACES UNLESS SHOWN DIFFERENTLY

BREAK ALL SHARP EDGES

CADMIUM PLATE (F-15.06) OR ZINC-NICKEL PLATE (F-15.40) ALL OVER (OPT IN BORE)

MATERIAL: 15-5PH OR 17-4PH CRES (180-200 KSI)

ALL DIMENSIONS ARE IN INCHES

HOLE LOCATION (4A) FIG. 601 - REPLACES BUSHING (93) BACB28AP06P020

Oversize Bushing Details  
Figure 603

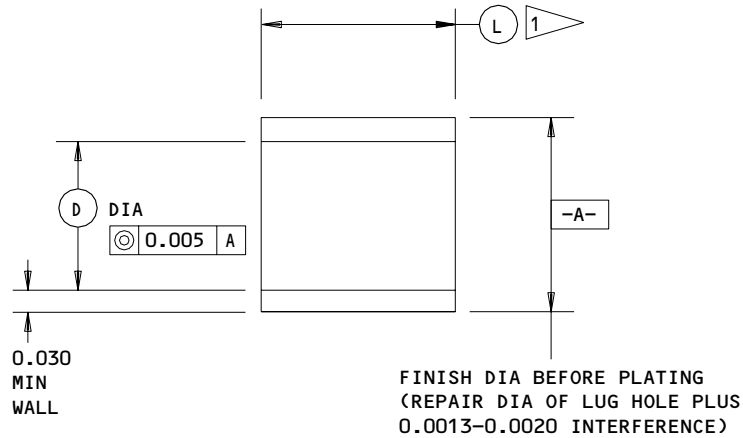
**32-11-20**

REPAIR 1-1

01.1

Page 605

Nov 01/05



HOLE LOCATION (FIG. 601)	D	L
5	0.8913 0.8906	0.50 0.48
6	0.772 0.765	0.26 0.24

1 ADJUST LENGTH OF SLEEVE FOR A FIT SMOOTH WITH OR 0.010 MAX BELOW SURFACE OF LUG

**REPAIR**

125 ✓ ALL MACHINED SURFACES UNLESS SHOWN DIFFERENTLY

BREAK SHARP EDGES 0.01-0.02 R

CADMIUM PLATE (0.0003-0.0005 THICK, F-15.06)(OPTIONAL ON INTERNAL SURFACES)

MATERIAL: 15-5PH CRES, 180-200 KSI

DIMENSIONS APPLY BEFORE PLATING

ALL DIMENSIONS ARE IN INCHES

Repair Sleeve Details  
 Figure 604

**32-11-20**

REPAIR 1-1

01.101

Page 606

Jul 01/99

FITTING ASSEMBLY – REPAIR 2-1

161T1172-1, -2, -5, -6

**NOTE:** Refer to REPAIR – GENERAL for a list of applicable standard practices.  
Refer to IPL Fig. 17 or 18 for item numbers.

1. Bushing Replacement (Fig. 601)

- | A. Remove the old bushings.
- | B. Install replacement bushings by the shrink-fit method.
- | C. Make a check of the dimensions and machine them as necessary to design dimensions and finish shown.
- | D. Seal the bushings per REPAIR 20-1, Fig. 601.
- | E. Apply grease at the lube fitting until grease comes out at the ID of the bushings, to be sure the lube passages are clear.

2. Lube Fitting Replacement

- | A. Replace lube fitting (167) per CMM 32-00-03.

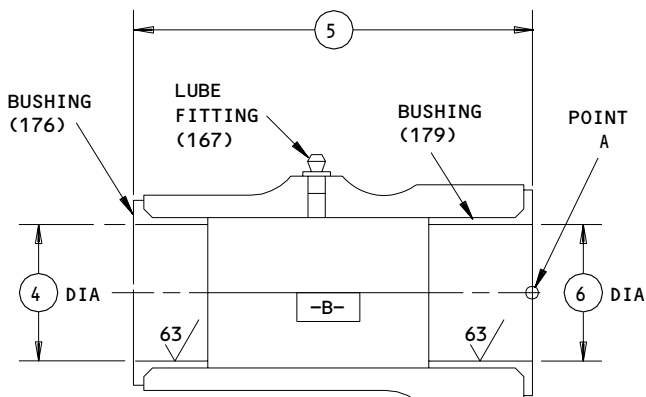
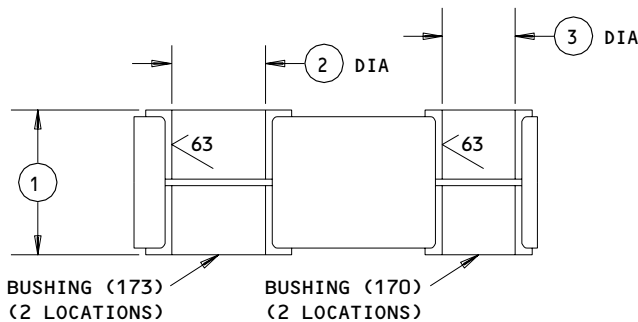
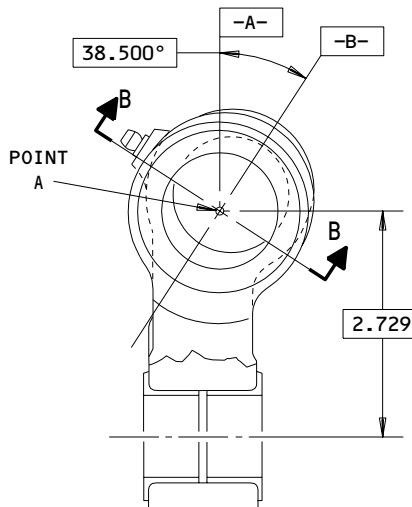
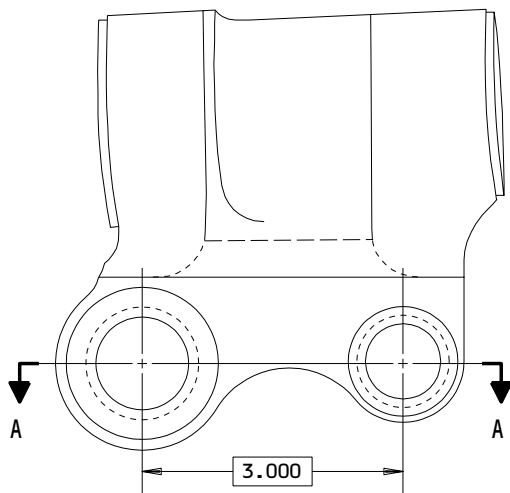
**32-11-20**

REPAIR 2-1

01.1

Page 601

Nov 01/05



A-A

B-B  
 (ROTATED)

REFERENCE NUMBER	1	2	3	4	5	6
DESIGN DIMENSION	1.625 1.616	1.1280 1.1250	0.8780 0.8750	1.6280 1.6250	4.546 4.537	1.6280 1.6250

DIMENSIONS APPLY AFTER ALL FINISHES AND BUSHING INSTALLATION

ITEM NUMBERS REFER TO IPL FIG. 17 OR 18

ALL DIMENSIONS ARE IN INCHES

161T1172-1,-2,-5,-6  
 Bushing Replacement  
 Figure 601

**32-11-20**

REPAIR 2-1

01.1

Page 602

Mar 01/97

FITTING - REPAIR 2-2

161T1172-3, -4, -7, -8

NOTE: Refer to REPAIR-GENERAL for list of applicable standard practices, and to IPL Fig. 17 or 18 for item numbers. For repair of surfaces which may require only restoration of original finish, refer to Refinish instructions, Fig. 601.

1. Lug Faces and Holes (Fig. 601)

A. Method 1 -- Removal of Corrosion in Center of Lug ID

NOTE: This procedure enables corrosion to be removed without machining the entire bore oversize, if corrosion is localized at the center area which is exposed between two bushings.

- (1) Determine repair diameter and width of groove required to remove corrosion (Fig. 602).
- (2) Machine center area as required.
- (3) Cadmium-titanium plate and apply primer, BMS 10-11, type 1.
- (4) Install bushings per REPAIR 2-1.
- (5) Completely fill cavity under and between bushings with BMS 3-33 or MIL-G-23827 grease.

B. Method 2 -- Installation of Oversize Bushings

- (1) Machine as required, within repair limits, to remove defects.
- (2) Shot peen, cadmium-titanium plate and apply primer, BMS 10-11 type 1.
- (3) Manufacture bushings (Fig. 603), as required, to compensate for amount of material removed in step (1).
- (4) Install bushings per REPAIR 2-1.

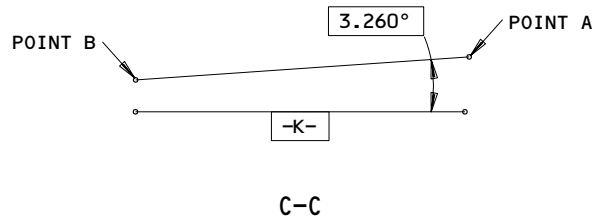
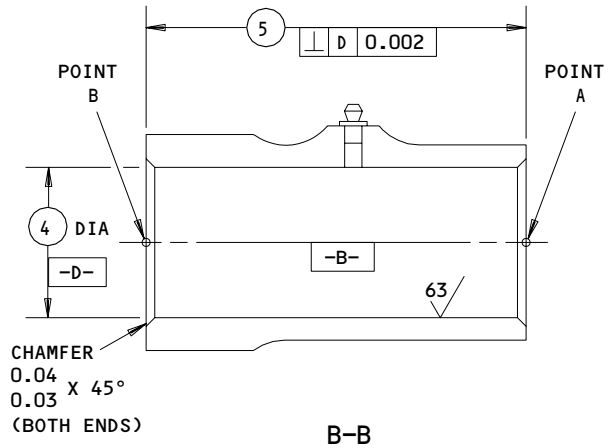
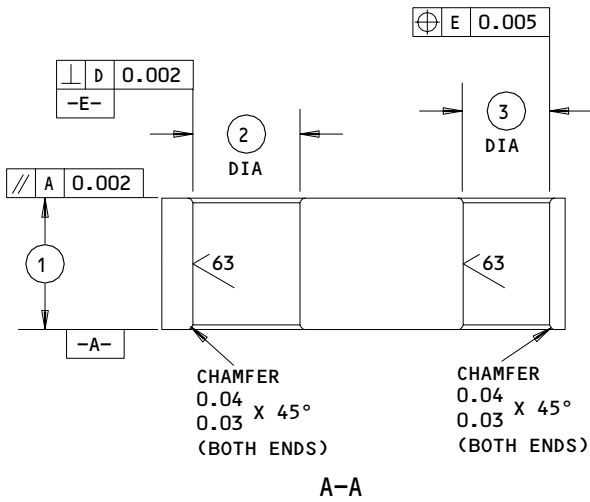
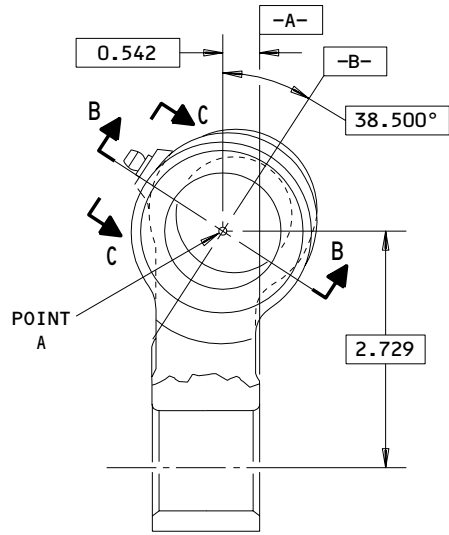
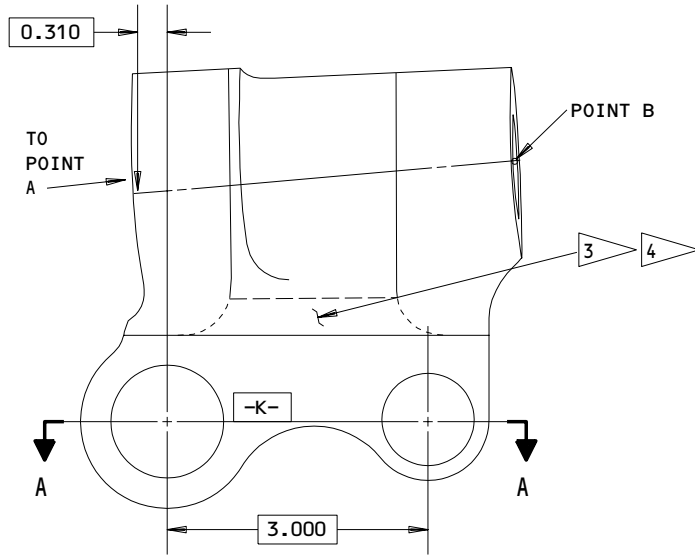
**32-11-20**

REPAIR 2-2

01.1

Page 601

Jul 01/04

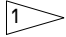
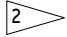
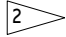


161T1172-3,-4,-7,-8  
 Fitting Repair and Refinish  
 Figure 601 (Sheet 1)

**32-11-20**

REPAIR 2-2  
 Page 602  
 Oct 01/90

01.1

REFERENCE NUMBER	①	②	③	④	⑤
DESIGN DIMENSION	1.4984 1.4934	1.2515 1.2500	1.0015 1.0000	1.7865 1.7850	4.4194 4.4144
REPAIR LIMIT 	1.4634 	1.3115	1.0800	1.8465	4.3844 

**REFINISH**

CADMIUM-TITANIUM PLATE (F-15.01) AND APPLY PRIMER, BMS 10-11, TYPE 1 (F-20.02) EXCEPT IN HOLES.

AFTER INSTALLATION OF LUBE FITTING AND BUSHINGS, APPLY ENAMEL, BMS 10-60 (SRF-14.9813) EXCEPT ON BUSHING FLANGES, BORES, AND LUBE FITTING.

**REPAIR**


REF    
125  MACHINED SURFACES UNLESS SHOWN DIFFERENTLY

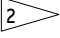
SHOT PEEN: RC 55-65 SHOT HEAT TREAT  
0.016-0.033 SHOT SIZE  
0.014-0.018 A2 INTENSITY

MATERIAL: 4340M STEEL, 275-300 KSI

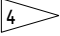
DIMENSIONS APPLY BEFORE PLATING

ALL DIMENSIONS ARE IN INCHES

 REPAIR LIMIT FOR INSTALLATION OF OVERSIZE BUSHINGS.

 LUG FACE MACHINING REQUIREMENTS:  
1. MATERIAL REMOVED FROM ANY FACE MUST NOT EXCEED HALF THE DIFFERENCE BETWEEN THE DESIGN DIMENSION AND REPAIR LIMIT.  
2. FLAT SURFACE MUST BE MINIMUM OF 0.02 LARGER THAN FLANGE DIAMETER OF BUSHING TO BE INSTALLED.  
3. BLEND MISMATCH STEPS TO 0.18-0.26 RADIUS, OR IF WITHIN 0.10 OF LUG FULLET RADIUS, USE SAME RADIUS AS LUG FILLET. BREAK SHARP EDGES 0.03-0.07 R.

 STEEL STAMP THE SERIAL NUMBER AND THE PART NUMBER ON NOTED AREA (161T1172-7,-8).

 STEEL STAMP THE PART NUMBER ON THE NOTED AREA (161T1172-3,-4).

161T1172-3,-4,-7,-8  
Fitting Repair and Refinish  
Figure 601 (Sheet 2)

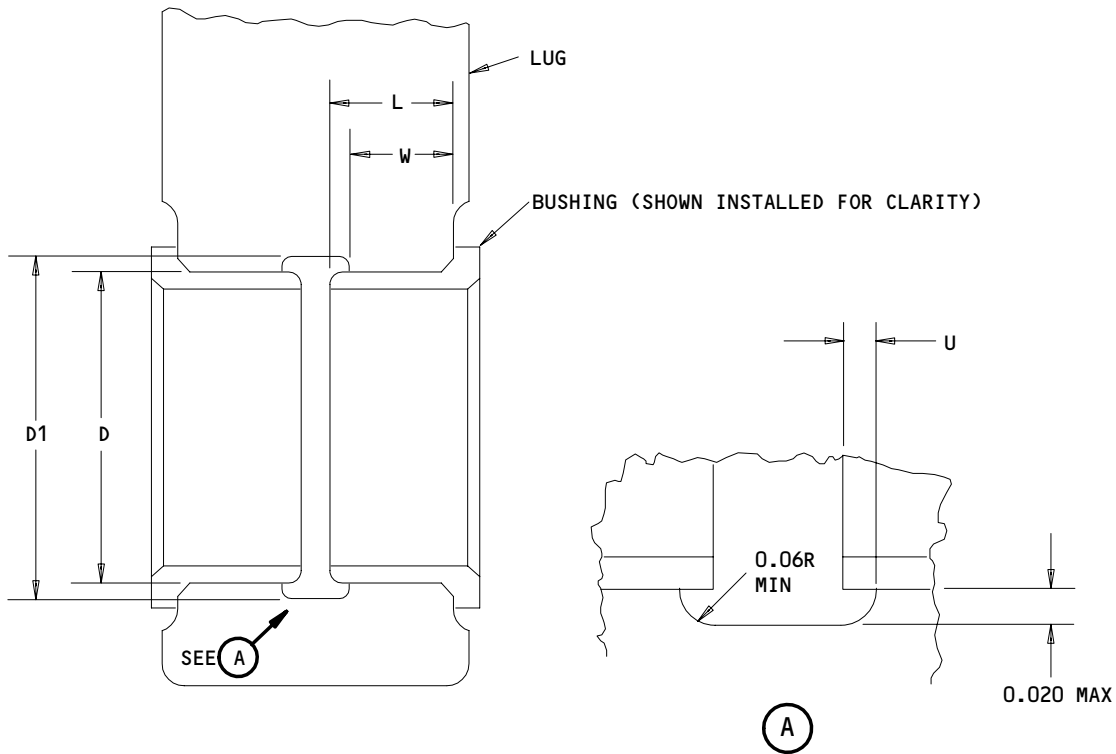
**32-11-20**

REPAIR 2-2

Page 603

Nov 01/00

01.1



- D = MAX REPAIR DIA OF HOLE (SEE FIG. 601)
  - D1 = MAX REPAIR DIA OF GROOVE = (D +0.040)
  - L = LENGTH OF BUSHING (SEE FIG. 603)
  - U = UNDERCUT = (L X 0.1) (0.06 MAX)
  - W = LUG DIM TO EDGE OF GROOVE = (L-U)
- ALL DIMENSIONS ARE IN INCHES

Lug Hole Diameter - Corrosion Removal from Area Between Bushings  
 Figure 602

**32-11-20**

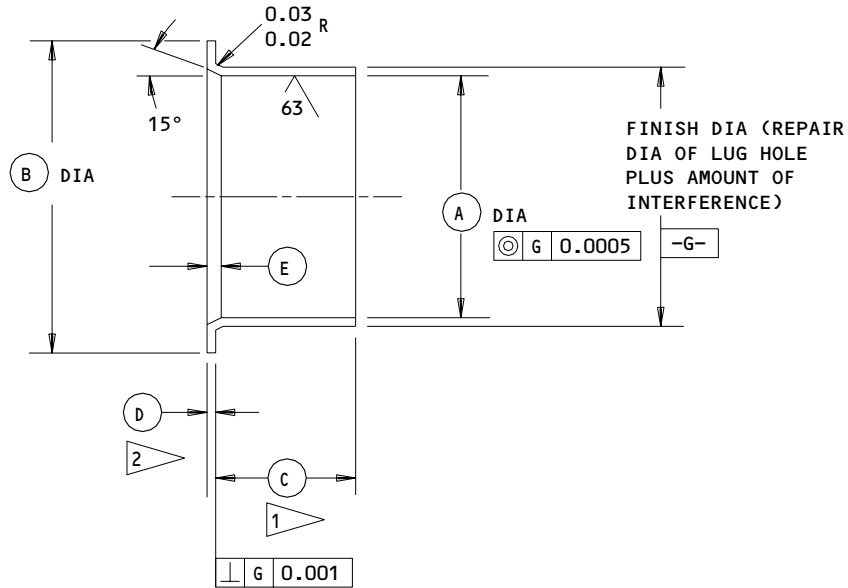
REPAIR 2-2

Page 604

Oct 10/86

01





HOLE LOCATION (FIG. 601)	REPLACES BUSHING	(A)	(B)	(C)	(D)	(E)	INTERFERENCE
(2)	(173) 161T1210-18	1.1296 1.1281	1.53 1.47	0.74 0.68	0.061 0.060	0.09 0.08	0.0057 0.0017
(3)	(170) 161T1210-5	0.8796 0.8781	1.28 1.22	0.74 0.68	0.061 0.060	0.09 0.08	0.0056 0.0016
(4)	(176) 161T1210-29	1.6298 1.6283	2.15 2.09	0.78 0.72	0.061 0.060	0.09 0.08	0.0060 0.0020
(6)	(179) 161T1210-30	1.6298 1.6283	2.47 2.41	1.14 1.08	0.061 0.060	0.09 0.08	0.0060 0.0020

1 MINUS AMOUNT REMOVED FROM LUG FACE  
2 PLUS AMOUNT REMOVED FROM LUG FACE

125/ MACHINED SURFACES UNLESS SHOWN DIFFERENTLY

BREAK SHARP EDGES 0.01-0.02 R

CADMIUM PLATE (0.0003-0.0005 THICK, F-15.06)  
ALL OVER EXCEPT ON ID AND FLANGE FACE

MATERIAL: AL-NI-BRZ, AMS 4640 OR 4880

ALL DIMENSIONS APPLY BEFORE PLATING

ALL DIMENSIONS ARE IN INCHES

Oversize Bushing Details  
Figure 603

**32-11-20**

REPAIR 2-2

01.1

Page 605

Jun 01/94

FITTING ASSEMBLY – REPAIR 3-1

161T1173-1, -2, -5, -6

**NOTE:** Refer to REPAIR-GENERAL for list of applicable standard practices.  
Refer to IPL Fig. 17 or 18 for item numbers.

1. Bushing Replacement (Fig. 601)

- A. Remove bushings.
- B. Install new bushings using shrink-fit method.
- C. Check dimensions and machine as necessary to dimensions and finish shown.
- D. Seal bushings per REPAIR 20-1, Fig. 601.
- E. Apply grease at lube fitting until grease appears at ID of bushings, to ensure lube passages are clear.

2. Lube Fitting Replacement

- A. Replace lube fitting (209) per 32-00-03.

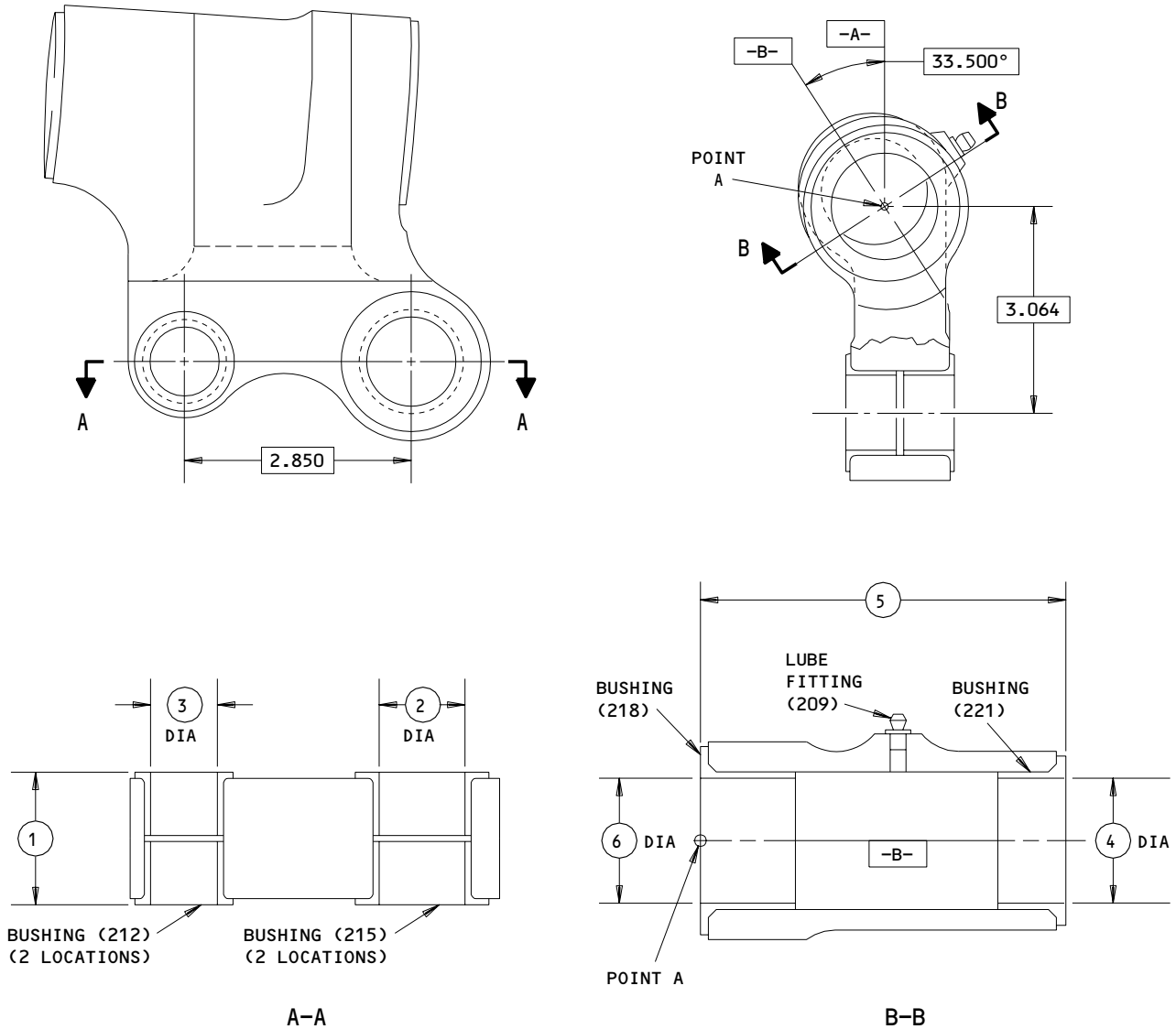
**32-11-20**

REPAIR 3-1

01.1

Page 601

Mar 01/97



REFERENCE NUMBER	1	2	3	4	5	6
DESIGN DIMENSION	1.625 1.616	1.1280 1.1250	0.8780 0.8750	1.5655 1.5625	4.546 4.537	1.5655 1.5625

ITEM NUMBERS REFER TO IPL FIG. 17 OR 18  
 DIMENSIONS APPLY AFTER ALL FINISHES AND BUSHING INSTALLATION  
 ALL DIMENSIONS ARE IN INCHES

161T1173-1,-2,-5,-6  
 Bushing Replacement  
 Figure 601

**32-11-20**

REPAIR 3-1

01.1

Page 602

Mar 01/97

FITTING - REPAIR 3-2

161T1173-3, -4, -7, -8

NOTE: Refer to REPAIR-GENERAL for list of applicable standard practices, and to IPL Fig. 17 or 18 for item numbers. For repair of surfaces which may require only restoration of original finish, refer to Refinish instructions, Fig. 601.

1. Lug Faces and Holes (Fig. 601)

A. Method 1 -- Removal of Corrosion in Center of Lug ID

NOTE: This procedure enables corrosion to be removed without machining the entire bore oversize, if corrosion is localized at the center area which is exposed between two bushings.

- (1) Determine repair diameter and width of groove required to remove corrosion (Fig. 602).
- (2) Machine center area as required.
- (3) Cadmium-titanium plate and apply primer, BMS 10-11, type 1.
- (4) Install bushings per REPAIR 3-1.
- (5) Completely fill cavity under and between bushings with BMS 3-33 or MIL-G-23827 grease.

B. Method 2 -- Installation of Oversize Bushings

- (1) Machine as required, within repair limits, to remove defects.
- (2) Shot peen, cadmium-titanium plate and apply primer, BMS 10-11 type 1.
- (3) Manufacture bushings (Fig. 603), as required, to compensate for amount of material removed in step (1).
- (4) Install bushings per REPAIR 3-1.

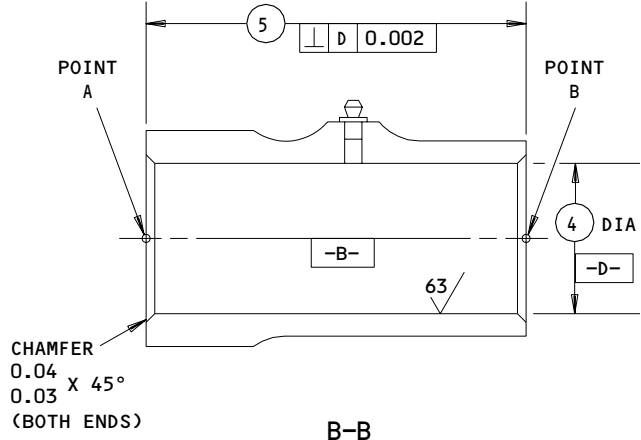
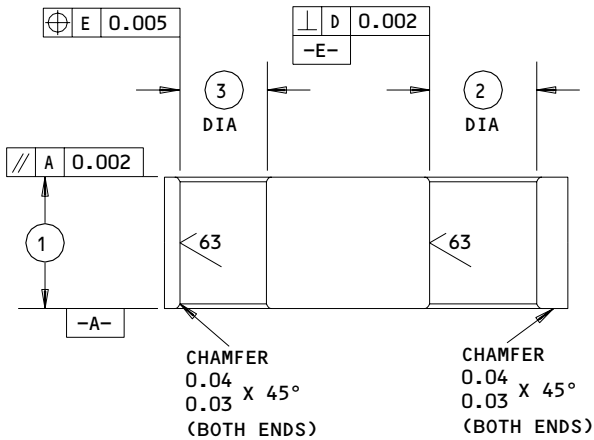
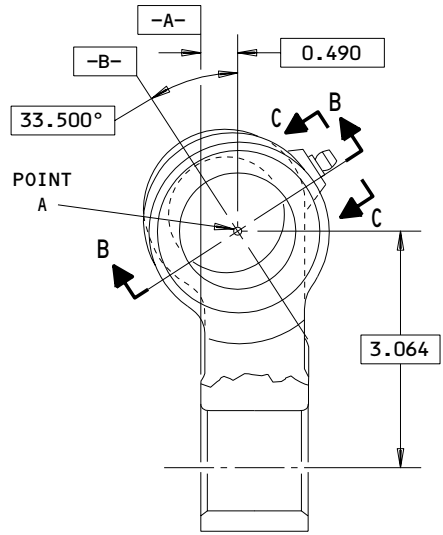
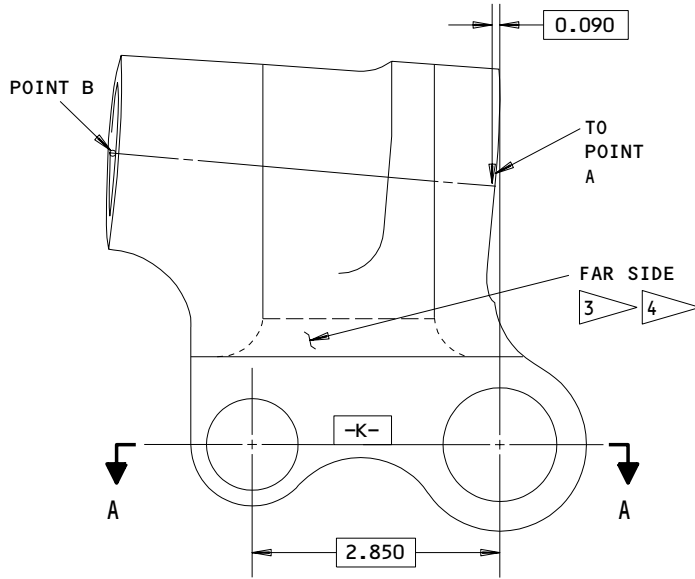
**32-11-20**

REPAIR 3-2

01.1

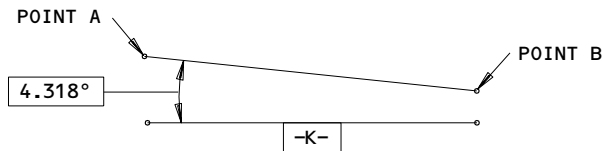
Page 601

Jul 01/04



A-A

B-B



C-C

161T1173-3,-4,-7,-8  
 Fitting Repair and Refinish  
 Figure 601 (Sheet 1)


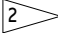
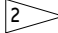
**32-11-20**

REPAIR 3-2

Page 602

Oct 01/90

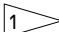
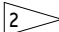
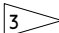
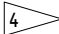
01.1

REFERENCE NUMBER	①	②	③	④	⑤
DESIGN DIMENSION	1.4984 1.4934	1.2515 1.2500	1.0015 1.0000	1.7240 1.7225	4.4194 4.4144
REPAIR LIMIT 	1.4634 	1.3500	1.0970	1.7840	4.3844 

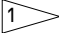
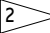
**REFINISH**


CADMIUM-TITANIUM PLATE (F-15.01) (0.0005-0.0010 THICK IN HOLES FOR BUSHINGS) AND APPLY PRIMER, BMS 10-11, TYPE 1 (F-20.02).

AFTER INSTALLATION OF LUBE FITTING AND BUSHINGS, APPLY ENAMEL, BMS 10-60 (F-14.9813, WHICH REPLACES SRF-14.9813) EXCEPT ON BUSHING FLANGES, BORES, AND LUBE FITTING.

-  LIMIT FOR INSTALLATION OF OVERSIZE BUSHINGS.
-  LUG FACE MACHINING REQUIREMENTS:
  1. MATERIAL REMOVED FROM ANY FACE MUST NOT BE MORE THAN HALF THE DIFFERENCE BETWEEN THE DESIGN DIMENSION AND REPAIR LIMIT.
  2. FLAT SURFACE MUST BE MINIMUM OF 0.02 LARGER THAN FLANGE DIAMETER OF BUSHING TO BE INSTALLED
  3. BLEND MISMATCH STEPS TO 0.18-0.26 RADIUS, OR IF WITHIN 0.10 OF LUG FILLET RADIUS, USE SAME RADIUS AS LUG FILLET. BREAK SHARP EDGES 0.03-0.07 R.
-  STEEL STAMP THE PART SERIAL NUMBER AND THE PART NUMBER ON NOTED AREA (161T1173-7,-8).
-  STEEL STAMP THE PART NUMBER ON NOTED AREA (161T1173-3,-4).

**REPAIR**

REF  

125/  MACHINED FINISH UNLESS SHOWN DIFFERENTLY

SHOT PEEN: RC 55-65 SHOT HEAT TREAT  
0.016-0.033 SHOT SIZE  
0.014-0.018 A2 INTENSITY

MATERIAL: 4340M STEEL, 275-300 KSI

DIMENSIONS APPLY BEFORE PLATING

ALL DIMENSIONS ARE IN INCHES

161T1173-3,-4,-7,-8  
Fitting Repair and Refinish  
Figure 601 (Sheet 2)

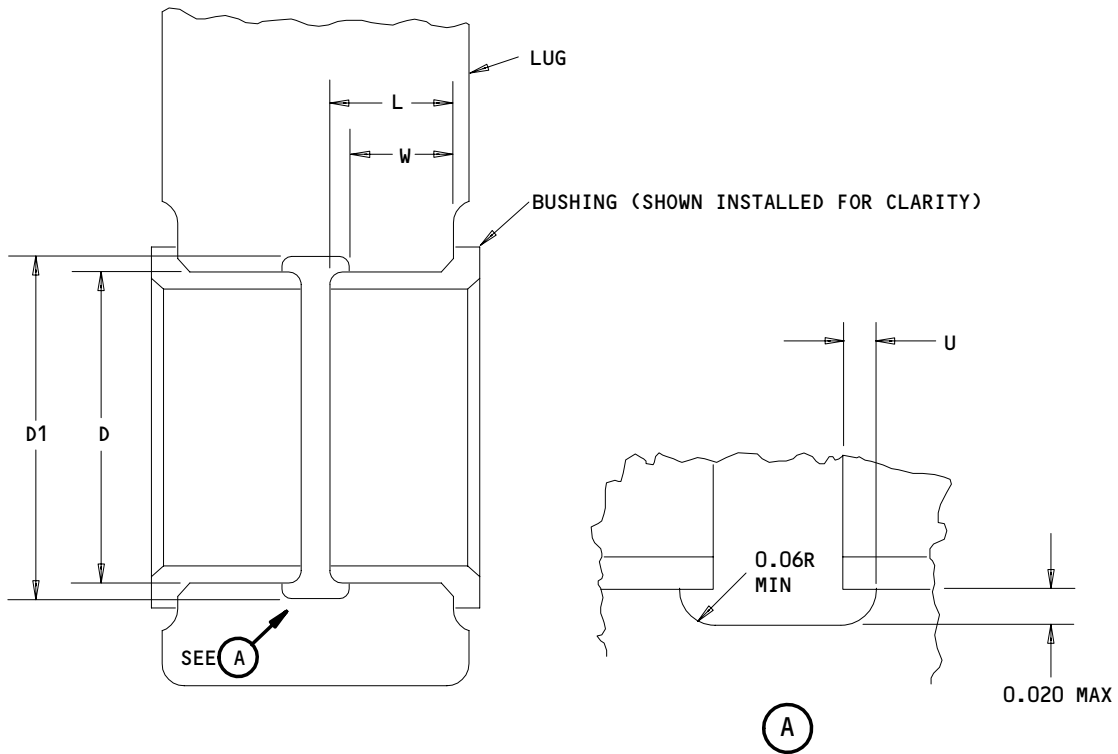
**32-11-20**

REPAIR 3-2

Page 603

Nov 01/02

01.1



D = MAX REPAIR DIA OF HOLE (SEE FIG. 601)

D1 = MAX REPAIR DIA OF GROOVE = (D + 0.040)

L = LENGTH OF BUSHING (SEE FIG. 603)

U = UNDERCUT = (L X 0.1) (0.06 MAX)

W = LUG DIM TO EDGE OF GROOVE = (L-U)

ALL DIMENSIONS ARE IN INCHES

Lug Hole Diameter - Corrosion Removal from Area Between Bushings  
 Figure 602

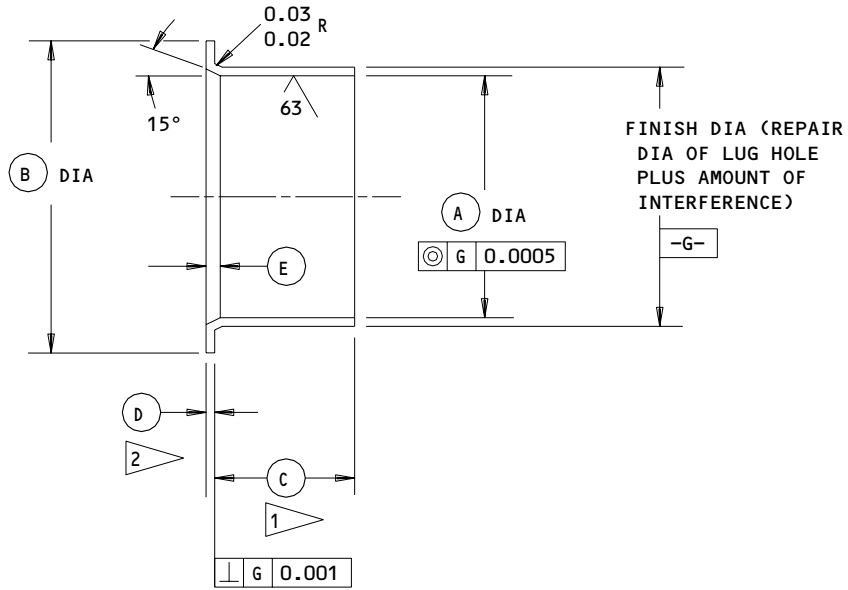
**32-11-20**

REPAIR 3-2

Page 604

Oct 10/86

01



HOLE LOCATION (FIG. 601)	REPLACES BUSHING	(A)	(B)	(C) 1	(D) 2	(E)	INTERFERENCE
2	(215) 161T1210-18	1.1296 1.1281	1.53 1.47	0.74 0.68	0.061 0.060	0.09 0.08	0.0057 0.0017
3	(212) 161T1210-5	0.8796 0.8781	1.28 1.22	0.74 0.68	0.061 0.060	0.09 0.08	0.0056 0.0016
6	(218) 161T1210-44	1.5673 1.5658	2.47 2.41	1.14 1.08	0.061 0.060	0.09 0.08	0.0059 0.0019
4	(221) 161T1210-45	1.5673 1.5658	2.15 2.09	0.78 0.72	0.061 0.060	0.09 0.08	0.0059 0.0019

125 ✓ MACHINED SURFACES EXCEPT AS NOTED

BREAK SHARP EDGES 0.01-0.02 R

CADMIUM PLATE (0.0003-0.0005 THICK, F-15.06)  
ALL OVER EXCEPT ON ID AND FLANGE FACE

MATERIAL: AL-NI-BRZ PER AMS 4640 OR 4880

ALL DIMENSIONS APPLY BEFORE PLATING

ALL DIMENSIONS ARE IN INCHES

1 MINUS AMOUNT REMOVED FROM LUG FACE

2 PLUS AMOUNT REMOVED FROM LUG FACE

Oversize Bushing Details  
Figure 603

**32-11-20**

REPAIR 3-2

01

Page 605

Oct 10/86



FITTING ASSEMBLY - REPAIR 4-1

161T1174-1, -2

1. Bushing Replacement (Fig. 601)

NOTE: Refer to REPAIR-GEN for list of applicable standard practices.

- A. Remove bushings.
- B. Install new bushings using shrink-fit method.
- C. Check dimensions and machine as necessary to dimensions and finish shown.
- D. Seal bushings per REPAIR 20-1, Fig. 601.

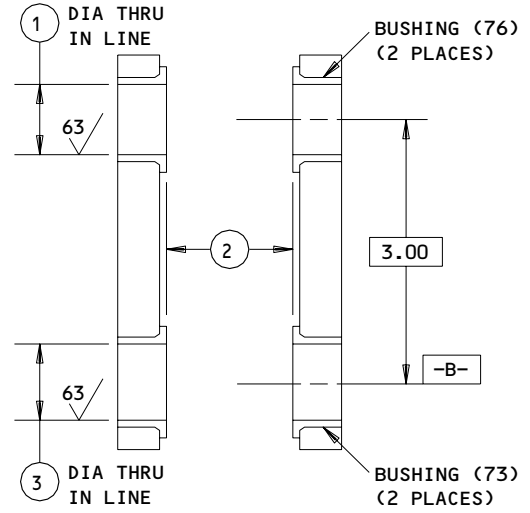
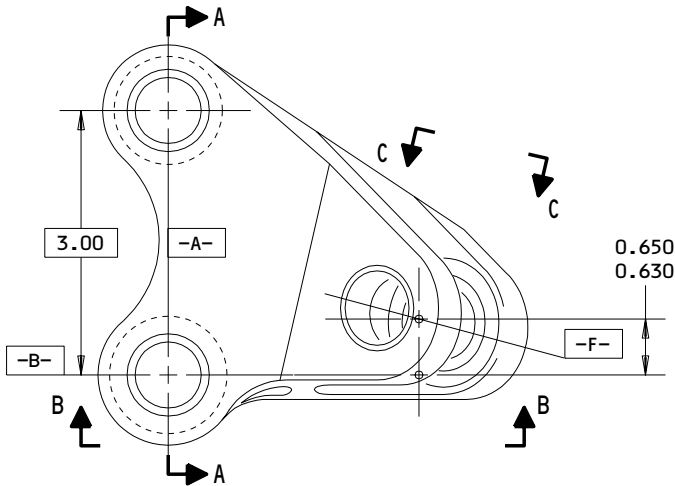
**32-11-20**

REPAIR 4-1

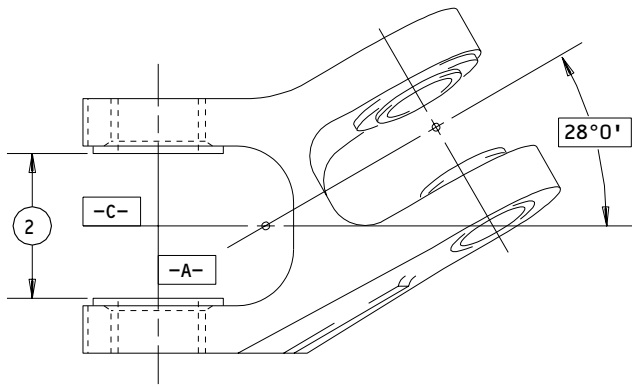
01

Page 601

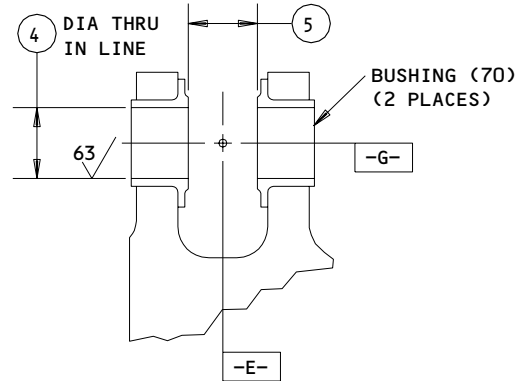
Oct 10/86



A-A



B-B



C-C

	1	2	3	4	5
DESIGN	0.7595	1.509	0.8845	0.8765	0.829
DIM	0.7580	1.505	0.8830	0.8750	0.825

161T1174-1,-2  
 Bushing Replacement  
 Figure 601

**32-11-20**

REPAIR 4-1

Page 602

Oct 10/86

01

FITTING - REPAIR 4-2

161T1174-3, -4

**NOTE:** Refer to REPAIR-GENERAL for list of applicable standard practices, and to IPL Fig. 17 or 18 for item numbers. For repair of surfaces which may require only restoration of original finish, refer to Refinish instructions, Fig. 601.

1. Lug Faces and Holes (Fig. 601)

A. Installation of Oversize Bushings

- (1) Machine as required, within repair limits, to remove defects.
- (2) Shot peen, cadmium-titanium plate and apply primer, BMS 10-11 type 1.
- (3) Manufacture bushings (Fig. 602 and on), as required, to compensate for amount of material removed in step (1).
- (4) Install bushings per REPAIR 4-1.

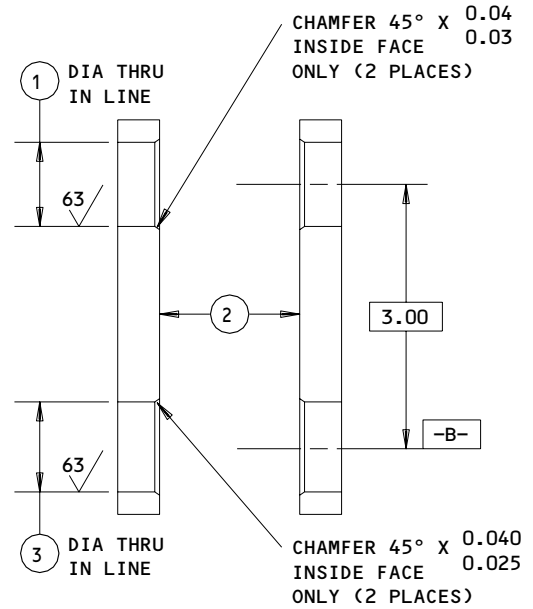
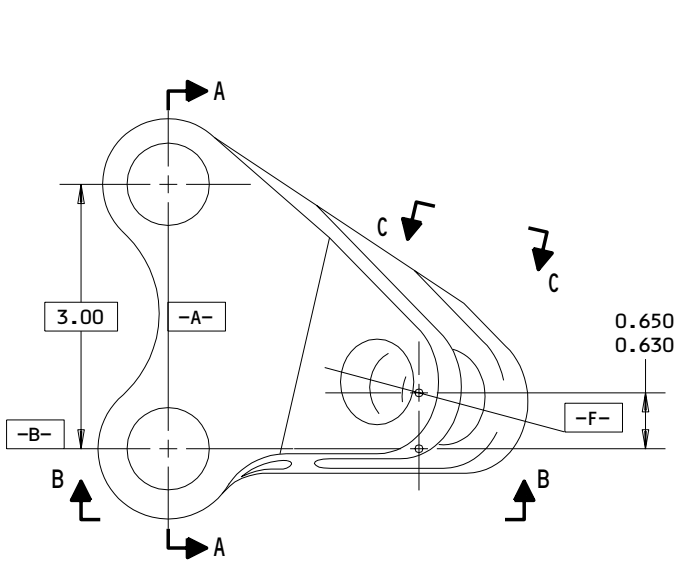
**32-11-20**

REPAIR 4-2

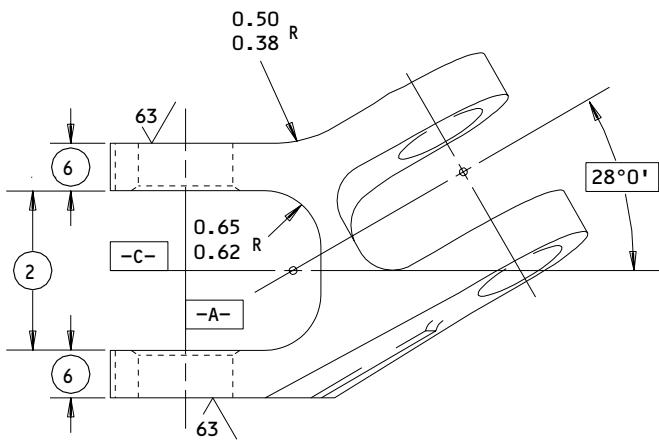
01.1

Page 601

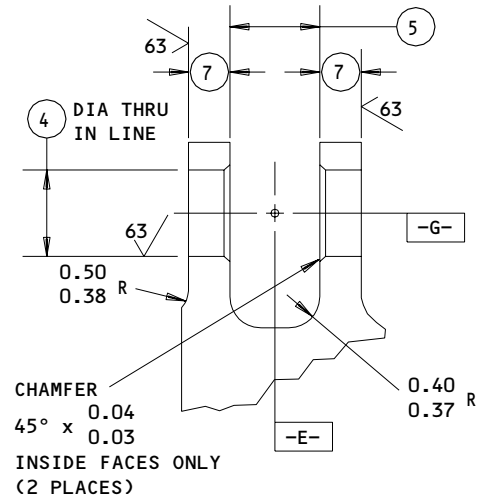
Mar 01/97



A-A



B-B



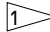
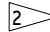
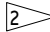


C-C

161T1174-3,-4  
 Fitting Repair and Refinish  
 Figure 601 (Sheet 1)

**32-11-20**

REPAIR 4-2  
 Page 602  
 Oct 10/86

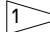
01

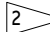
REFERENCE NUMBER	①	②	③	④	⑤	⑥	⑦
DESIGN DIMENSION	0.8845 0.8830	1.6416 1.6316	1.0095 1.0080	1.0015 1.0000	1.0816 1.0716	0.51 0.49	0.51 0.49
REPAIR LIMIT 	0.9445	1.6716 	1.0695	1.0615	1.1416 	0.45 	0.46 

**REFINISH**

CADMIUM-TITANIUM PLATE (F-15.01) AND APPLY PRIMER, BMS 10-11, TYPE 1 (F-20.02) EXCEPT IN HOLES.

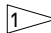
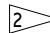
AFTER INSTALLATION OF BUSHINGS, APPLY ENAMEL, BMS 10-60 (SRF-14.9813) EXCEPT ON BUSHING FLANGES AND BORES.

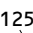
 REPAIR LIMIT FOR INSTALLATION OF OVERSIZE BUSHINGS

 LUG FACE MACHINING REQUIREMENTS:

1. MATERIAL REMOVED FROM ANY FACE MUST NOT EXCEED HALF THE DIFFERENCE BETWEEN THE DESIGN DIMENSION AND REPAIR LIMIT
2. FLAT SURFACE MUST BE MINIMUM OF 0.02 LARGER THAN FLANGE DIAMETER OF BUSHING TO BE INSTALLED
3. BLEND MISMATCH STEPS TO 0.18-0.26 RADIUS, OR IF WITHIN 0.10 OF LUG FILLET RADIUS, USE SAME RADIUS AS LUG FILLET. BREAK SHARP EDGES 0.03-0.07 R.

**REPAIR**

REF  

125  ALL MACHINED SURFACES UNLESS SHOWN DIFFERENTLY

SHOT PEEN: RC 55-65 SHOT HEAT TREAT  
0.016-0.033 SHOT SIZE  
0.014-0.018 A2 INTENSITY

MATERIAL: 4340M STEEL, 275-300 KSI

ALL DIMENSIONS ARE IN INCHES

161T1174-3,-4  
Fitting Repair and Refinish  
Figure 601 (Sheet 2)

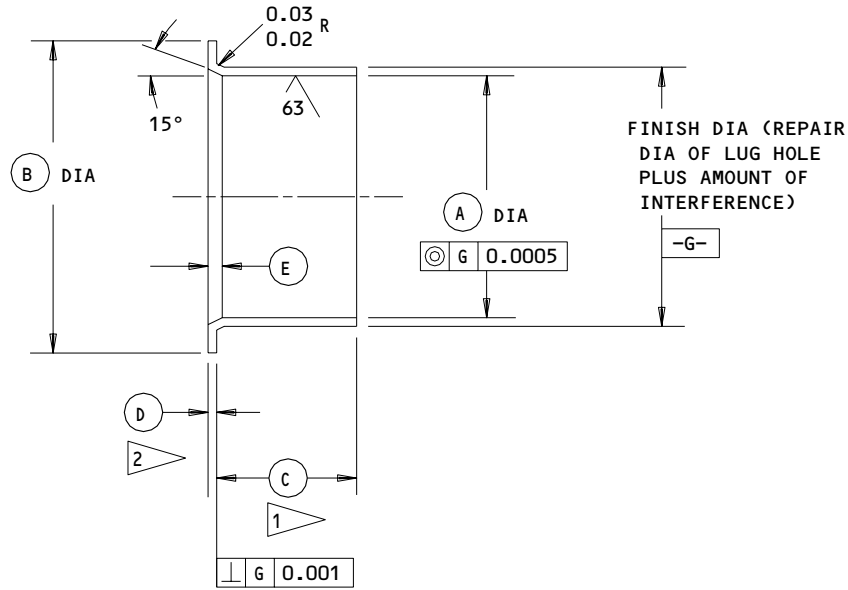
**32-11-20**

REPAIR 4-2

01.1

Page 603

Sep 01/97



HOLE LOCATION (FIG. 601)	REPLACES BUSHING	(A)	(B)	(C)	(D)	(E)	INTERFERENCE
(1)	(76) 161T1210-24	0.7625 0.7610	1.15 1.09	0.52 0.46	0.061 0.060	0.09 0.08	0.0056 0.0016
(3)	(73) 161T1210-23	0.8876 0.8861	1.28 1.22	0.52 0.46	0.061 0.060	0.09 0.08	0.0056 0.0016

125/ MACHINED SURFACES EXCEPT AS NOTED

BREAK SHARP EDGES 0.01-0.02 R

CADMIUM PLATE (0.0003-0.0005 THICK, F-15.06)  
 ALL OVER (OPT ON ID AND FLANGE FACE)

MATERIAL: AL-NI-BRZ PER AMS 4640 OR 4880

ALL DIMENSIONS APPLY BEFORE PLATING

ALL DIMENSIONS ARE IN INCHES

1 MINUS AMOUNT REMOVED FROM LUG FACE

2 PLUS AMOUNT REMOVED FROM LUG FACE

Oversize Bushing Details  
 Figure 602

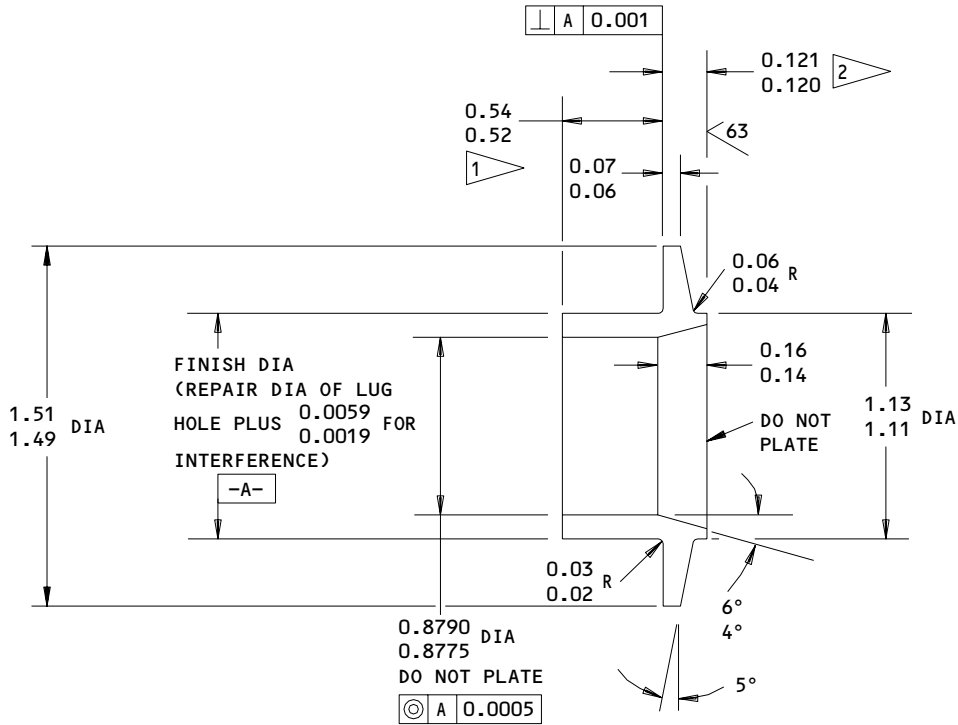
**32-11-20**

REPAIR 4-2

Page 604

Oct 10/86

01



- 1 MINUS AMOUNT REMOVED FROM LUG FACE
- 2 PLUS AMOUNT REMOVED FROM LUG FACE

**REPAIR**

125 ✓ ALL MACHINED SURFACES UNLESS SHOWN DIFFERENTLY

BREAK SHARP EDGES 0.01-0.02 R

CADMIUM PLATE (0.0003-0.0005 THICK, F-15.06) UNLESS SHOWN DIFFERENTLY

MATERIAL: AL-NI-BRZ, AMS 4640 OR 4880

ALL DIMENSIONS APPLY BEFORE PLATING

ALL DIMENSIONS ARE IN INCHES

HOLE LOCATION (4) FIG. 601 - REPLACES BUSHING (70) 161T6041-1

Oversize Bushing Details  
Figure 603

**32-11-20**

REPAIR 4-2

01.1

Page 605

Jul 01/93

BOLT ASSEMBLY, BOGIE POSITIONER – REPAIR 5-1

161T1183-1

NOTE: Refer to REPAIR-GENERAL for list of applicable standard practices. Refer to IPL Fig. 17 or 18 for item numbers. For repair of surfaces which may require only restoration of original finish, refer to Refinish instructions, Fig. 601.

1. Shank Repair – Diameter D (Fig. 601)

- A. Machine as required, within repair limits, to remove defects.
- B. Shot peen, chrome plate, and grind to design dimensions and finish. Chrome plate shall not exceed 0.010 inch after grinding.

2. Head Face Repair

- A. Machine as required, within repair limits, to remove defects. Blend into relief groove if necessary.
- B. Shot peen, chrome plate, and grind to restore grip length. Do not chrome plate relief groove.

NOTE: As an option, chrome plate buildup may be omitted and shoulder face at thread end machined accordingly to restore grip length.

3. Relief Grooves

- A. Machine as required, within repair limits, to remove defects. If necessary to adjust grip length, machine shoulder at thread relief.
- B. Shot peen. Cadmium plate. Apply primer.

4. Pin Retention Hole

- A. Machine as required, within repair limits, to remove defects.
- B. Cadmium plate. Apply primer.

5. Lube Fitting Replacement

- A. Replace lube fitting (356) per 32-00-03.

**32-11-20**

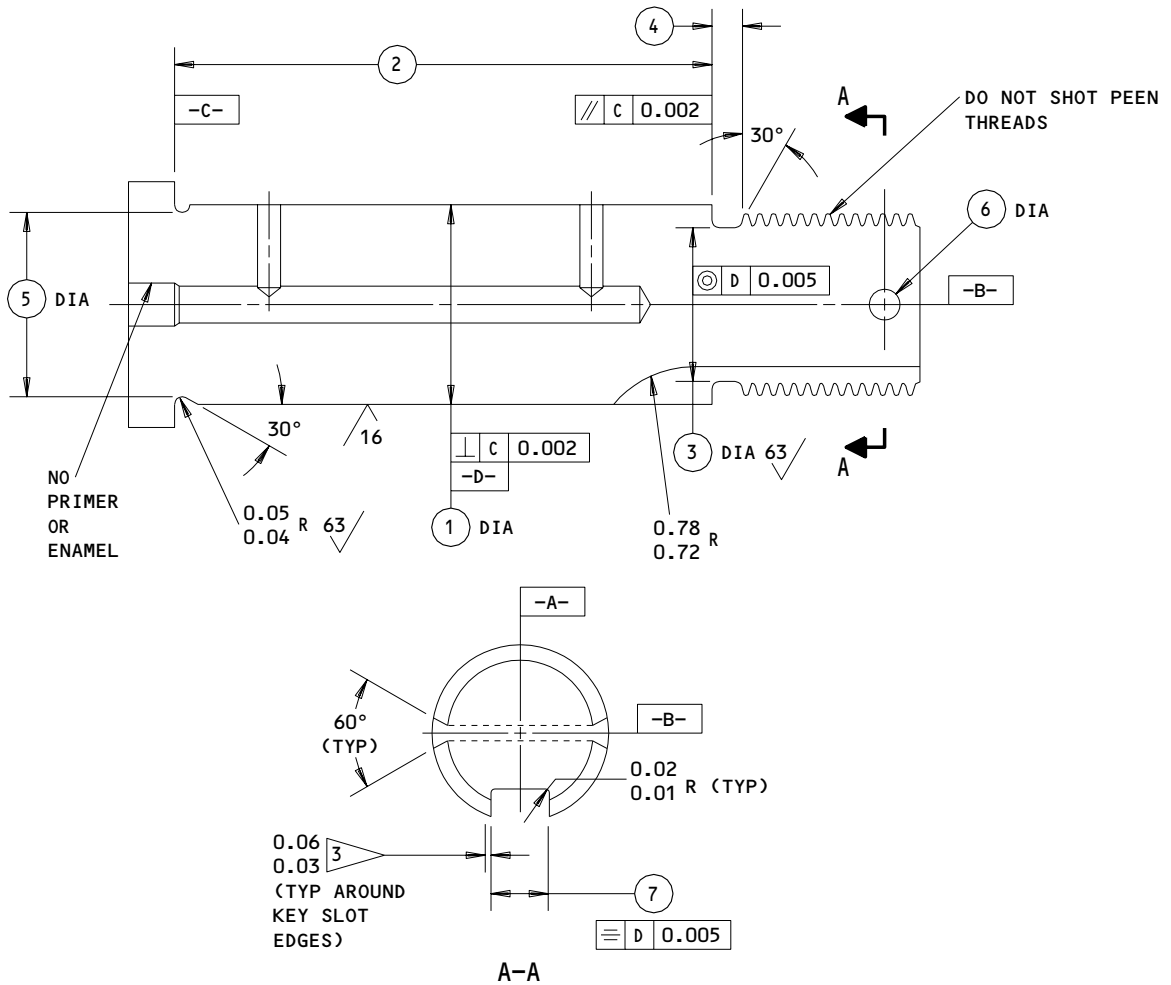
REPAIR 5-1

01.1

Page 601

Jul 01/98



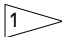
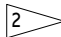
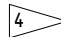
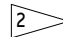
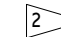
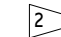


161T1183-1  
 Bolt Repair and Refinish  
 Figure 601 (Sheet 1)

**32-11-20**


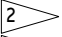
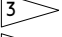
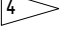
REPAIR 5-1  
 Page 602  
 Oct 10/86

01

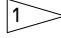
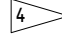

	①	②	③	④	⑤	⑥	⑦
DESIGN DIM	0.999 0.998	2.810 2.805	0.772 0.762	0.17 0.15	0.98 0.97	0.151 0.141	0.32 0.30
REPAIR LIMIT	0.978 	---	0.742 	0.18 	0.95 	0.171 	0.34 

**REFINISH**

CHROME PLATE (F-15.34) DIA -D-, 0.003 MIN THICK. OBSERVE 0.08 MAX CHROME PLATE RUNOUT  
CADMIUM PLATE (F-15.02) OTHER AREAS AND APPLY PRIMER & ENAMEL PER 32-00-02, EXCEPT AS NOTED

-  LIMIT FOR CHROME PLATE BUILDUP & GRINDING TO DESIGN DIM & FINISH. OBSERVE PLATING RUNOUT AS NOTED
-  RESTORATION TO DESIGN DIM NOT REQUIRED
-  NO CHROME PLATE
-  LIMIT FOR RESTORING GRIP LENGTH WHEN HEAD FACE IS MACHINED BUT NOT RESTORED TO DESIGN DIM BY CHROME PLATE BUILDUP. (RESTORATION OF GROOVE WIDTH TO DESIGN DIM IS NOT REQUIRED.)

**REPAIR**

REF    
125  MACHINE FINISH EXCEPT AS NOTED  
SHOT PEEN:  
0.016-0.033 SHOT SIZE  
0.009-0.015 A2 INTENSITY  
MATERIAL: 4330M STEEL, 180-200 KSI  
ALL DIMENSIONS ARE IN INCHES

161T1183-1  
Bolt Repair and Refinish  
Figure 601 (Sheet 2)

**32-11-20**  
REPAIR 5-1  
Page 603  
Oct 10/86

01

PIN ASSEMBLY, BRAKE ATTACHMENT – REPAIR 6-1

161T1201-1, -3, -4

**NOTE:** Refer to REPAIR-GEN for a list of applicable standard practices. For repair of surfaces which is only replacement of the original finish, refer to Refinish instructions, Fig. 601.

1. Shank Repair – Diameter D (Fig. 601)

- A. Machine as required, within repair limits, to remove defects.
- B. Shot peen, chrome plate, and grind to design dimensions and finish. Chrome plate thickness must not be more than 0.015 inch after grinding.

2. Head Face Repair (Fig. 601)

- A. Machine as required, within repair limits, to remove defects. Blend into relief groove if necessary.
- B. Shot peen, chrome plate, and grind to restore grip length. Do not chrome plate relief groove.

3. Relief Groove (Fig. 601)

- A. Machine as required, within repair limits, to remove defects.
- B. Shot peen and apply cadmium-titanium plate followed by primer.

4. Pin Retention Holes (161T1201-1 only) (Fig. 601)

- A. Machine as required, within repair limits, to remove defects.
- B. Cadmium-titanium plate. Apply primer.

5. Bushing (479) Replacement (161T1201-1 only) (Fig. 601)

- A. Remove bushing.
- B. Install new bushing using shrink fit method.
- C. Check dimensions and machine as necessary to dimensions and finish shown.

6. Installation of Oversize Bushing (161T1201-1 only) (Fig. 601)

- A. Machine as required, within repair limits shown, to remove defects.

**32-11-20**

REPAIR 6-1

01.1

Page 601

Jun 01/94

- | B. Shot peen, cadmium-titanium plate and apply primer, BMS 10-11, type 1.
  - | C. Make bushing per Fig. 602 to make allowance for amount of material removed in step A.
  - D. Install bushing per par. 5 above.
- | 7. Sealant Replacement (161T1201-3 only) (Fig. 601)
- | A. Remove the old sealant
  - | B. If other repairs to the pin are necessary, refer to applicable steps above.
  - | C. Apply primer and sealant as indicated.

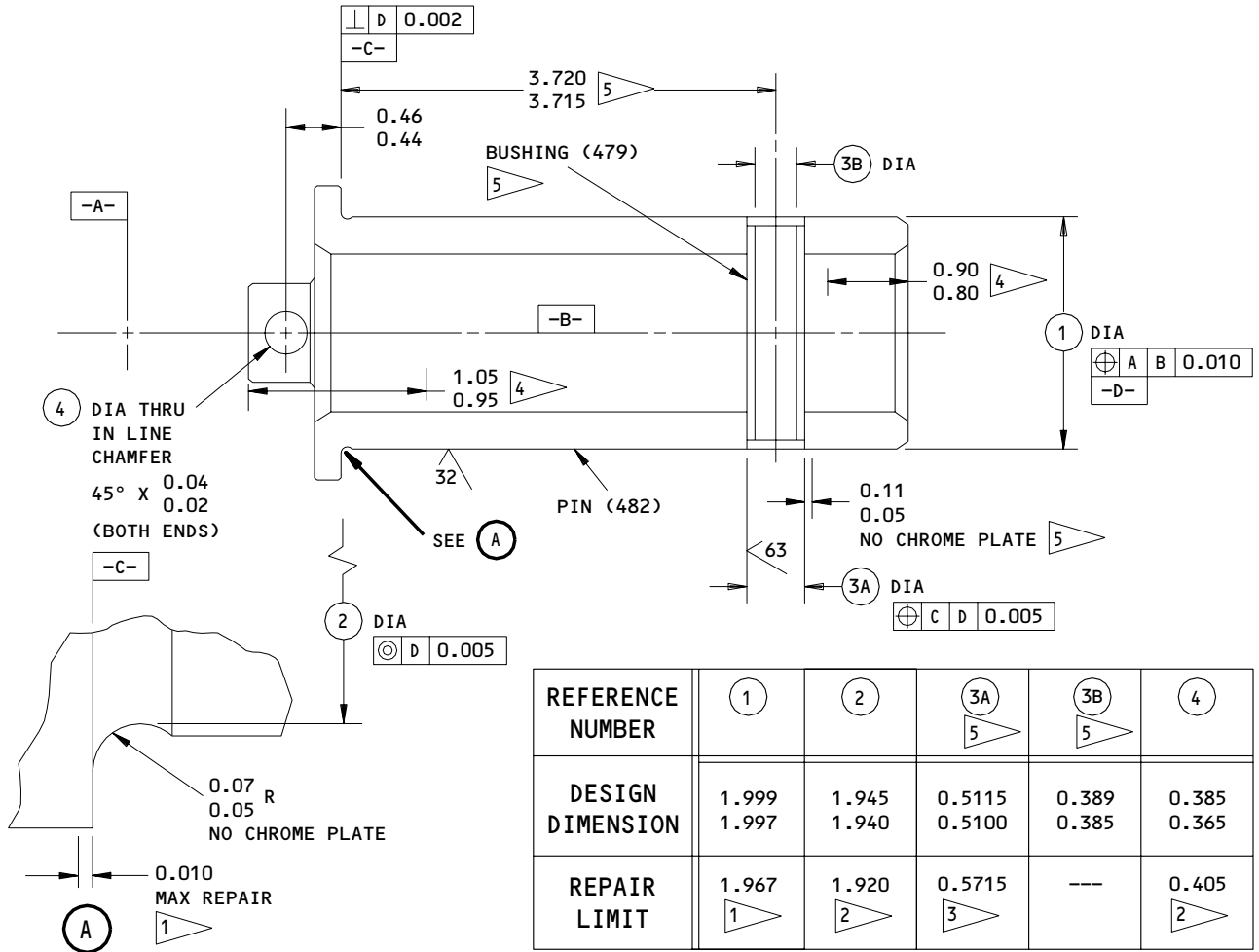
**32-11-20**

REPAIR 6-1

01.1

Page 602

Jun 01/94



REFERENCE NUMBER	1	2	3A 5	3B 5	4
DESIGN DIMENSION	1.999 1.997	1.945 1.940	0.5115 0.5100	0.389 0.385	0.385 0.365
REPAIR LIMIT	1.967 1	1.920 2	0.5715 3	---	0.405 2

**REFINISH**

CHROME PLATE (F-15.34) DIA -D-, 0.003 THICK. OBSERVE 0.08 MAX CHROME PLATE RUNOUT

CADMIUM-TITANIUM PLATE (F-15.01) OTHER AREAS. ON 161T1201-3, APPLY PRIMER BMS 10-11, TYPE 1 (F-20.03) TO THE CROSS BOLT HOLES, THEN FILL THE HOLES WITH SEALANT, BMS 5-95

APPLY CORROSION PREVENTIVE COMPOUND MIL-C-11796 CLASS 1 (F-19.03) ON ID UNLESS SHOWN BY 4

APPLY PRIMER & ENAMEL PER 32-00-02

1 LIMIT FOR CHROME PLATE BUILDUP AND GRINDING TO DESIGN DIM AND FINISH. OBSERVE PLATING RUNOUT AS NOTED

2 RESTORATION TO DESIGN DIM NOT REQUIRED

3 LIMIT FOR INSTALLATION OF OVERSIZE BUSHING

4 NO CORROSION PREVENTIVE COMPOUND HERE ON BORE (161T1201-3,-4 ONLY)

**REPAIR**

REF 1 3

125/ ALL MACHINED SURFACES UNLESS SHOWN DIFFERENTLY

BREAK HOLE EDGES ID, OD EQUIVALENT TO 0.03-0.04 R

SHOT PEEN: RC 55-65 SHOT HEAT TREAT  
0.016-0.033 SHOT SIZE  
0.014-0.018 A2 INTENSITY

MATERIAL: 4340M STEEL, 275-300 KSI

ITEM NUMBERS REFER TO IPL FIG. 17 OR 18

ALL DIMENSIONS ARE IN INCHES

5 161T1201-1 ONLY (ON 161T1201-3, THE HOLES ARE FILLED WITH BMS 5-95 SEALANT. ON 161T1201-4, THERE ARE NO HOLES HERE).

161T1201-1,-3,-4  
Pin Repair and Refinish  
Figure 601

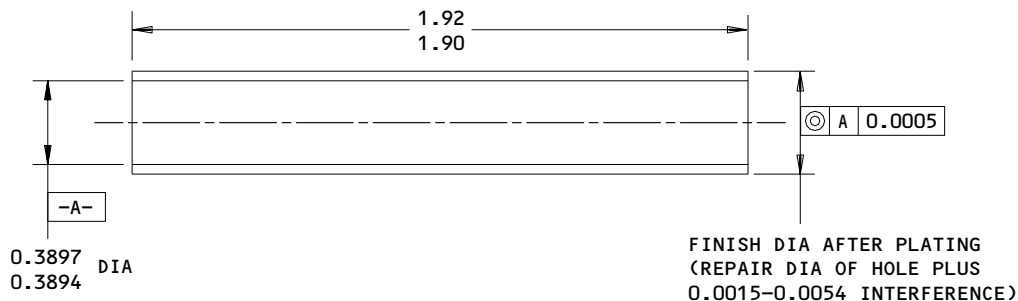
**32-11-20**

REPAIR 6-1

01.1

Page 603

Mar 01/97



125/ MACHINE FINISH

BREAK SHARP EDGES 0.01-0.02R

CADMIUM PLATE (0.0003-0.0005 THICK, F-15.06)  
 ON ID

MATERIAL: AL-NI-BRZ PER AMS 4640 OR 4880

ALL DIMENSIONS ARE IN INCHES. DIMENSIONS APPLY  
 BEFORE PLATING UNLESS SHOWN DIFFERENTLY

HOLE LOCATION (3A) FIG. 601 - REPLACES BUSHING (479) 161T1212-1

Oversize Bushing Details  
 Figure 602

**32-11-20**

REPAIR 6-1

01.1

Page 604

Mar 01/00

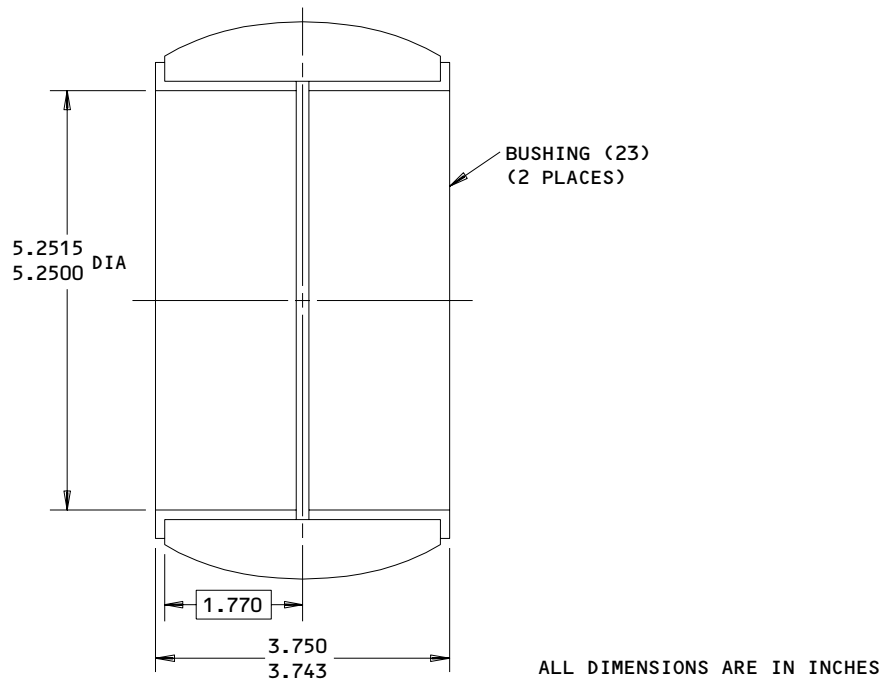
RACE ASSEMBLY – REPAIR 7-1

161T1301-1

1. Bushing Replacement (Fig. 601)

NOTE: Refer to REPAIR-GEN for list of applicable standard practices.

- A. Remove bushings.
- B. Install new bushings using shrink-fit method.
- C. Check dimensions and machine as necessary to dimensions and finish shown.



161T1301-1  
Bushing Replacement  
Figure 601

232150

**32-11-20**

REPAIR 7-1

01

Page 601

Oct 10/86

RACE - REPAIR 7-2

161T1301-2

NOTE: Refer to REPAIR-GENERAL for list of applicable standard practices, and to IPL Fig. 17 or 18 for item numbers. For repair of surfaces which may require only restoration of original finish, refer to Refinish instructions, Fig. 601.

1. Race Faces and Bore (Fig. 601)

A. Method 1 -- Removal of Corrosion in Center of Bore ID

NOTE: This procedure enables corrosion to be removed without machining the entire bore oversize, if corrosion is localized at the center area which is exposed between two bushings.

- (1) Determine repair diameter and width of groove required to remove corrosion (Fig. 602).
- (2) Machine center area as required.
- (3) Passivate.
- (4) Install bushings per REPAIR 7-1.
- (5) Completely fill cavity under and between bushings with BMS 3-33 or MIL-G-23827 grease.

B. Method 2 -- Installation of Oversize Bushings

- (1) Machine as required, within repair limits, to remove defects.
- (2) Passivate.
- (3) Manufacture bushings (Fig. 603 and on), as required, to compensate for amount of material removed in step (1).
- (4) Install bushings per REPAIR 7-1.

**32-11-20**

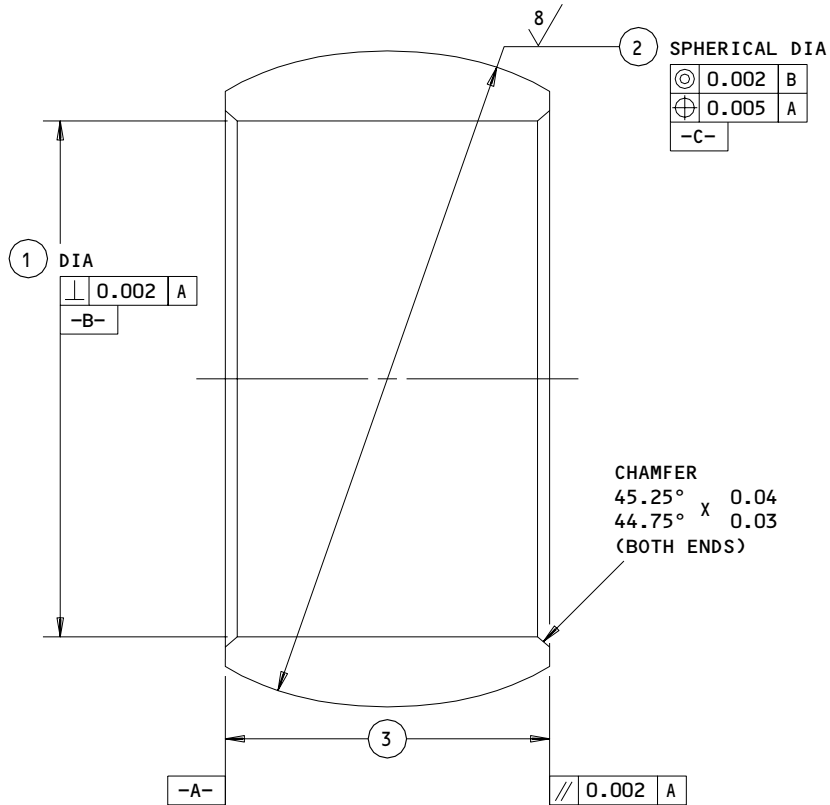
REPAIR 7-2

01.1

Page 601

Jul 01/04





	1	2	3
DESIGN DIM	5.4915 5.4900	6.998 6.997	3.548 3.543
REPAIR LIMIT	5.5515 1	6.995 2	3.513 1

**REFINISH**

PASSIVATE (F-17.09) ALL OVER  
 CHROME PLATE (F-15.03) DIAMETER -C-,  
 0.0005-0.0007 THICK

- 1 LIMIT FOR INSTALLATION OF OVERSIZE BUSHING
- 2 LIMIT FOR CHROME PLATE BUILDUP TO DESIGN DIMENSIONS AND FINISH

**REPAIR**

125/ ALL MACHINED SURFACES UNLESS SHOWN DIFFERENTLY

MATERIAL: 15-5PH CRES, 180-200 KSI

ALL DIMENSIONS ARE IN INCHES

161T1301-2  
 Race Repair and Refinish  
 Figure 601

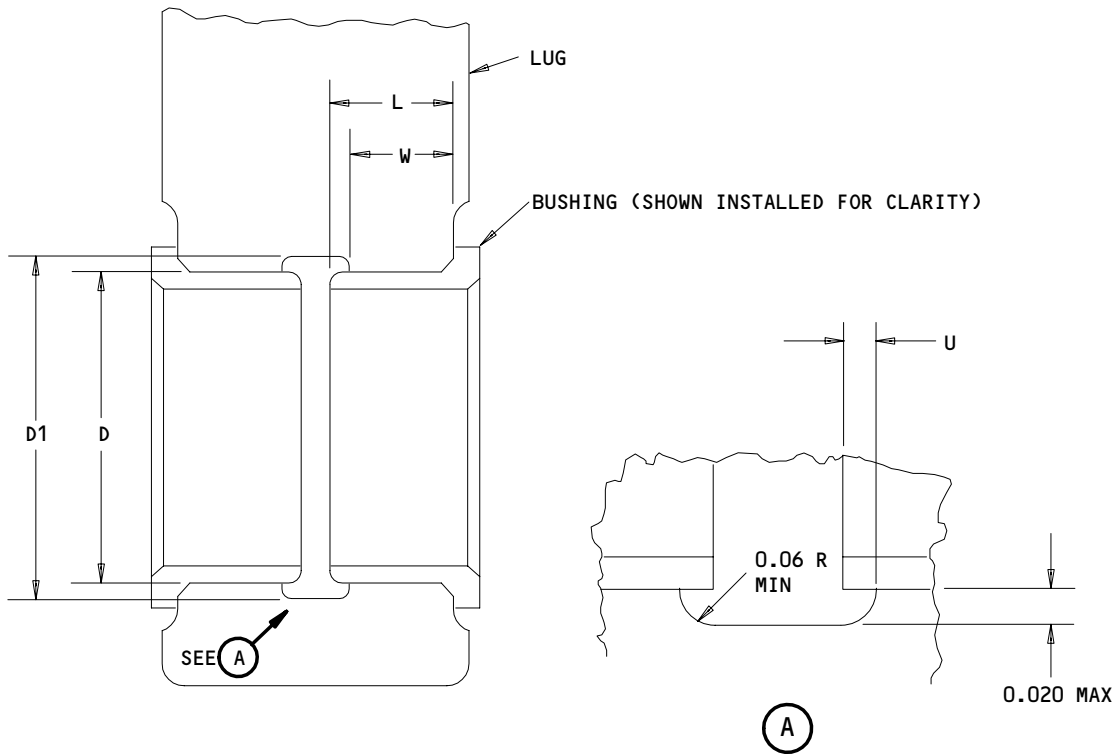
**32-11-20**

REPAIR 7-2

Page 602

Mar 01/99

01.1



$D$  = MAX REPAIR DIA OF HOLE (SEE FIG. 601)

$D1$  = MAX REPAIR DIA OF GROOVE =  $(D + 0.040)$

$L$  = LENGTH OF BUSHING (SEE FIG. 603)

$U$  = UNDERCUT =  $(L \times 0.1)$  (0.06 MAX)

$W$  = LUG DIM TO EDGE OF GROOVE =  $(L - U)$

ALL DIMENSIONS ARE IN INCHES

Lug Hole Diameter - Corrosion Removal from Area Between Bushings  
Figure 602

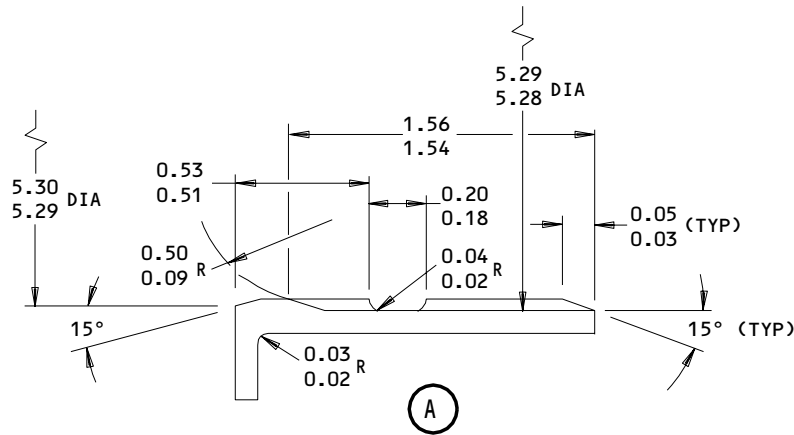
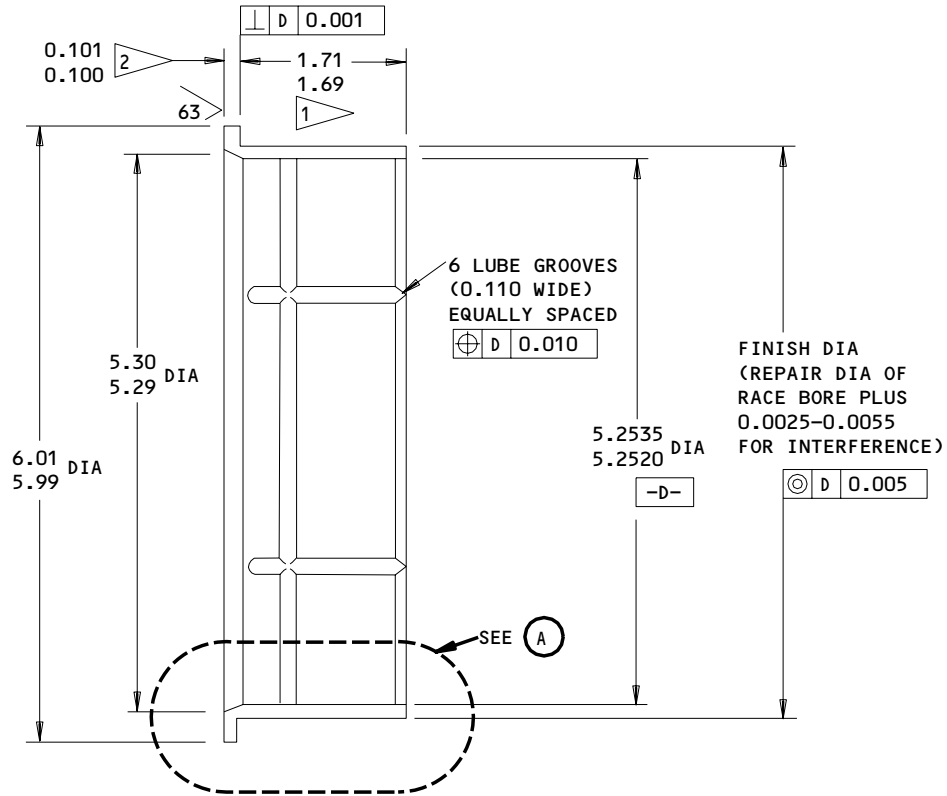
**32-11-20**

REPAIR 7-2

01

Page 603

Oct 10/86



REPLACES BUSHING (23) 161T1302-1

125/ MACHINED SURFACES EXCEPT AS NOTED

BREAK SHARP EDGES 0.01-0.02 R

NO FINISH

MATERIAL: AL-NI-BRZ PER AMS 4640 OR 4880

ALL DIMENSIONS ARE IN INCHES

1 MINUS AMOUNT REMOVED FROM RACE FACE

2 PLUS AMOUNT REMOVED FROM RACE FACE

Oversize Bushing Details  
 Figure 603

**32-11-20**

REPAIR 7-2

Page 604

Oct 10/86

01

HOUSING ASSEMBLY – REPAIR 8-1

161T1303-5, -7, -9, -11

NOTE: Refer to REPAIR-GENERAL for a list of applicable standard practices.  
Refer to IPL Fig. 17 or 18 for item numbers.

1. Sleeve Replacement (Fig. 601)

- A. Remove the old sleeve.
- B. Install a replacement sleeve by the shrink-fit method. Make sure the 1.31-1.37 slots in the sleeve are centered on the 0.755-0.760 slots in housing within 0.06 inch.
- C. Make a check of the dimensions and machine them as necessary to the dimensions and finish shown.
- D. Apply grease at the lube fitting(s) until you see grease come out at the ID of the sleeve or the OD of the housing, as applicable, to be sure the lube passages are clear.

2. Lube Fitting Replacement

- A. Replace lube fittings (31) per CMM 32-00-03.

3. Rivet Replacement (Fig. 601) (161T1303-9 only)

- A. Install a replacement rivet in the Location A hole with BMS 5-95 sealant. A small amount of force could be necessary to get the rivet in.

4. Sleeve

- A. Make an oversized sleeve as necessary per Fig. 602 or 603. The dimensions on the face and bore of oversized sleeve must agree with the trunnion repair spud face you do per CMM 32-11-40, Repair 1-2, Fig. 608.

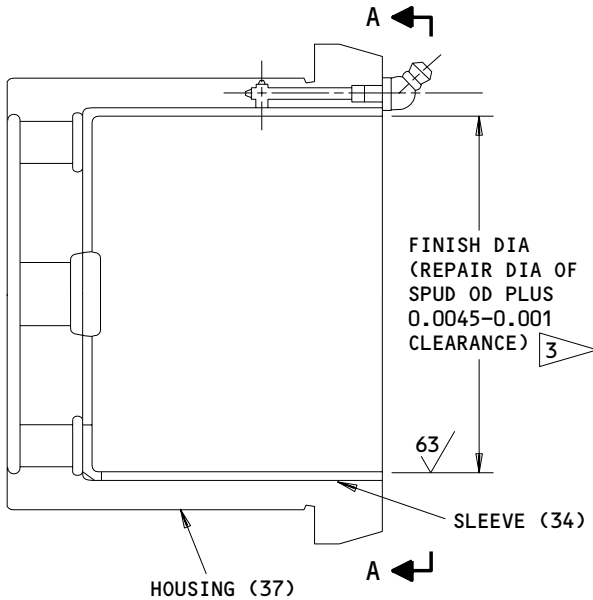
**32-11-20**

REPAIR 8-1

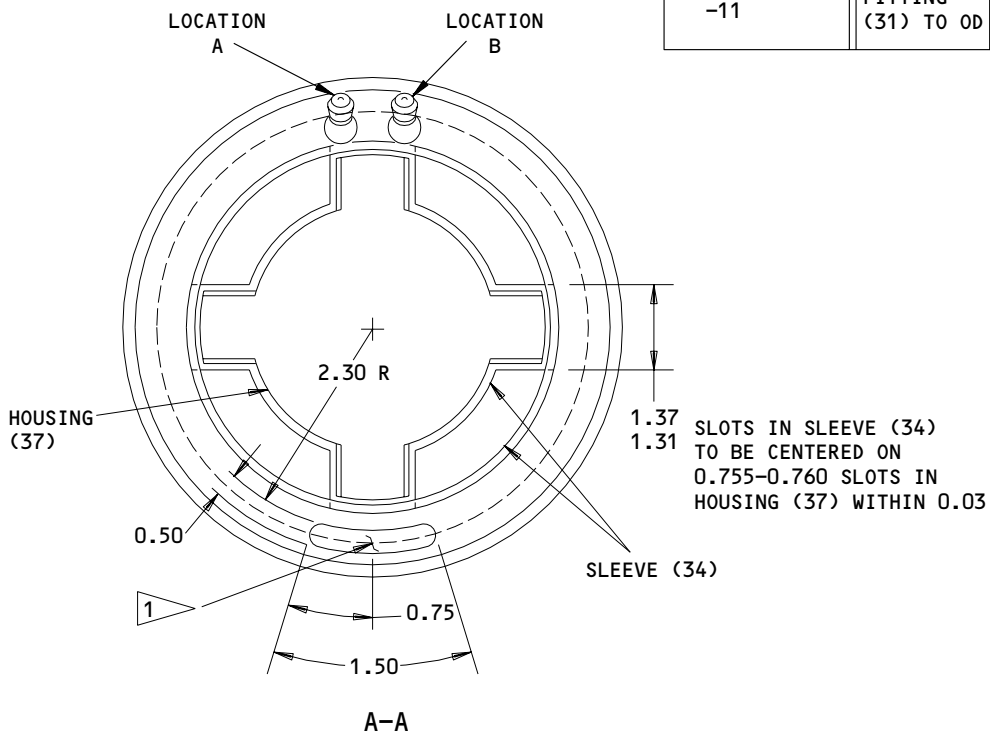
Page 601

Nov 01/99

01.1



DASH NO. 161T1303	LOCATION A	LOCATION B
-5,-7	FITTING (31) TO ID	FITTING (31) TO OD
-9	PLUGGED WITH RIVET (TBD)	FITTING (31) TO OD
-11	FITTING (31) TO OD	FITTING (31) TO OD



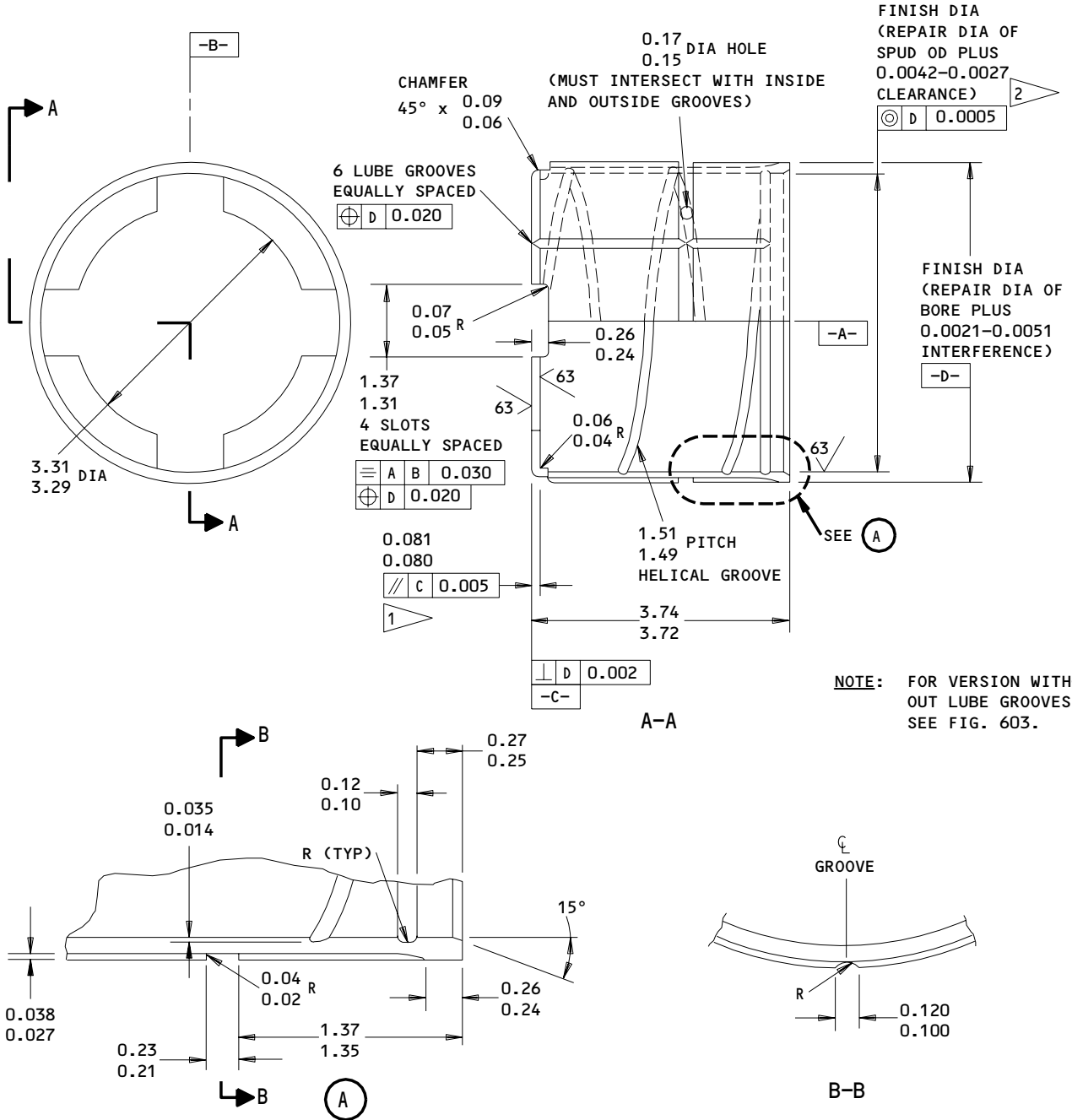
- 1 STEEL STAMP THE PART SERIAL NUMBER AND THE PART NUMBER IN THIS AREA.
- 2 REFER TO CMM 32-11-40, REPAIR 1-2, FIG. 608

ITEM NUMBERS REFER TO IPL FIG. 17 OR 18  
 ALL DIMENSIONS ARE IN INCHES

**161T1303-5,-7,-9,-11  
 Parts Replacement  
 Figure 601**

**32-11-20**  
 REPAIR 8-1  
 Page 602  
 Mar 01/97

01.1



**NOTE:** FOR VERSION WITHOUT LUBE GROOVES SEE FIG. 603.

- 1** PLUS THE THICKNESS OF MATERIAL REMOVED FROM TRUNNION SPUD FACE MINUS THE THICKNESS OF THE CHROME PLATE ADDED TO THE TRUNNION SPUD FACE. MAX THICKNESS 0.181. REFER TO CMM 32-11-40, REPAIR 1-2, FIG. 608.
- 2** REFER TO CMM 32-11-40, REPAIR 1-2, FIG. 608.

161T1304-3  
Oversize Sleeve Details  
Figure 602



HOUSING - REPAIR 8-2

161T1303-6, -8, -12

**NOTE:** Refer to REPAIR-GENERAL for a list of applicable standard practices, and to IPL Fig. 17 or 18 for item numbers. For repair of surfaces which is only replacement of the original finish, refer to Refinish instructions, Fig. 601.

1. OD - Diameter 5 (Fig. 601)

- A. Machine as required, within repair limits, to remove defects.
- B. Shot peen, chrome plate, and grind to design dimensions and finish. Chrome plate thickness must not be more than 0.010 inch after grinding.

2. Head Face (Fig. 601)

- A. Machine as required, within repair limits, to remove defects. Blend into relief groove if necessary.
- B. Shot peen, chrome plate, and grind to restore grip length. Do not chrome plate relief groove.

3. Relief Groove (Fig. 601)

- A. Machine as required, within repair limits, to remove defects.
- B. Shot peen and passivate.

4. Special Housing with Slots Decreased (Fig. 601)

- A. Make a special housing as shown in Fig. 601, with the slot and recess dimensions to go with the forward trunnion tab width repair you do per CMM 32-11-40, Repair 1-2, Fig. 608. Recommended clearance between slot and tab is 0.005-0.024 inch.
- B. Or, as an option, get a serviceable standard housing, sulfamate nickel plate the housing slots and machine them as necessary to get 0.005-0.024 clearance between these slots and the tabs after the forward trunnion tab width repair you do per CMM 32-11-40, Repair 1-2, Fig. 608.

**32-11-20**

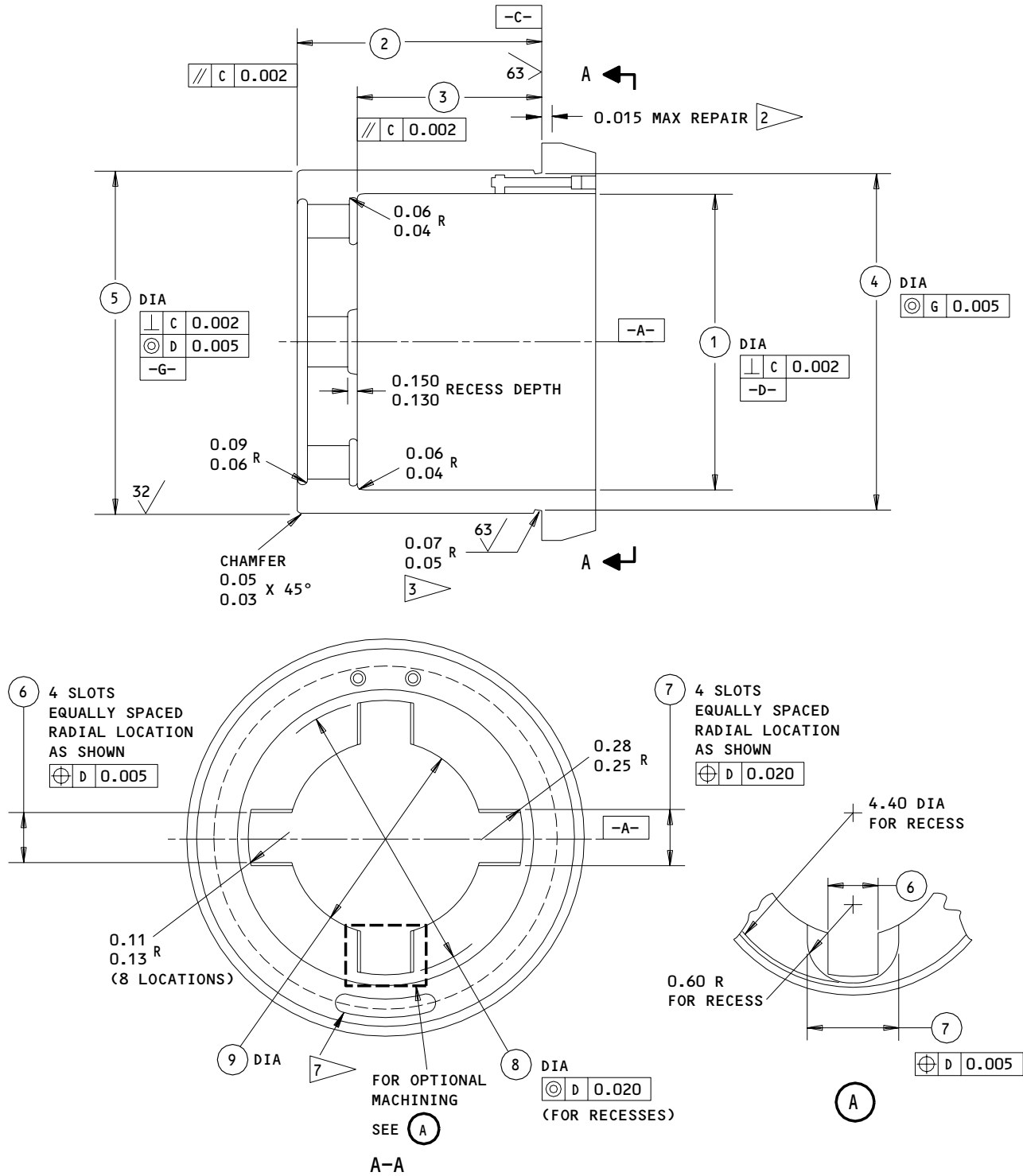
REPAIR 8-2

01.1

Page 601

Mar 01/97





161T1303-6,-8

ALL DIMENSIONS ARE IN INCHES

Housing Repair and Refinish  
 Figure 601 (Sheet 1)

**32-11-20**

REPAIR 8-2

01.1

Page 602

Mar 01/97



REFERENCE NUMBER	①	②	③	④	⑤	⑥	⑦	⑧	⑨
DESIGN DIMENSION	4.4745 4.4730	3.752 3.751	2.870 2.865	5.195 5.190	5.249 5.247 ⑧	0.760 0.755	1.26 1.24	4.210 4.190	3.28 3.26
REPAIR LIMIT	4.5345 ①	3.767 ②	2.885 ②	5.170 ④	5.227 ②	0.780 ⑤ ⑥	1.28 ④	----	3.46 ④

**REFINISH**

PASSIVATE (F-17.09) ALL OVER

CHROME PLATE (F-15.03) DIA -G- AND FACE TO DESIGN DIMENSION

- ① LIMIT FOR INSTALLATION OF OVERSIZE SLEEVE
- ② LIMIT FOR CHROME PLATE BUILDUP AND GRINDING TO DESIGN DIMENSION AND FINISH. OBSERVE 0.08 MAX PLATING RUNOUT AT EDGES AND RELIEFS.
- ③ NO CHROME PLATE
- ④ RESTORATION TO DESIGN DIMENSION NOT REQUIRED.
- ⑤ PREFERRED REPAIR: MAKE A HOUSING WITH DECREASED SLOT WIDTH TO GO WITH THE DECREASED FORWARD TRUNNION TAB WIDTH REDUCTION. REFER TO CMM 32-11-40, REPAIR 1-2, FIG. 608. FOR THE FINISH DIMENSION, USE THE REPAIR DIMENSION OF TAB WIDTH PLUS 0.005-0.024 CLEARANCE.
- ⑥ OPTIONAL REPAIR: DECREASE THE SLOT WIDTH TO GO WITH THE DECREASED FORWARD TRUNNION TAB WIDTH. REFER TO CMM 32-11-40, REPAIR 1-2, FIG. 608. SULFAMATE NICKEL PLATE BUILDUP TO THE REPAIRED TAB WIDTH DIMENSION PLUS 0.005-0.024 CLEARANCE.
- ⑦ DO NOT SHOT PEEN THIS AREA.
- ⑧ 5.239-5.241 DIA BEFORE ORIGINAL PLATING

**REPAIR**

REF ① ② ④ THRU ⑥

125/ ALL MACHINED SURFACES UNLESS SHOWN DIFFERENTLY

SHOT PEEN: 0.017-0.023 SHOT SIZE  
0.016 A2 INTENSITY

BUT NOT IN AREA SHOWN BY ⑦

MATERIAL: 15-5PH CRES, 180-200 KSI

ALL DIMENSIONS ARE IN INCHES

161T1303-6,-8,-12

Housing Repair and Refinish  
Figure 601 (Sheet 3)

**32-11-20**

REPAIR 8-2

Page 604

Mar 01/97

01.1

BOLT, FORWARD BEARING RETAINING – REPAIR 9-1

161T1306-2, -4, -5  
161T1315-1, -2, -3

NOTE: Refer to REPAIR-GEN for a list of applicable standard practices. For repair which is only replacement of the original finish, refer to Refinish instructions, Fig. 601.

1. Shank – Diameter D (Fig. 601)

- A. Machine as required, within repair limits, to remove defects.
- B. Shot peen, nickel plate, and grind to design dimensions and finish.

2. Head Face (Fig. 601)

- A. Machine as required, within repair limits, to remove defects. Blend into relief groove if necessary.
- B. Shot peen, chrome plate, and grind to restore grip length. Do not chrome plate relief groove.

NOTE: As an option, chrome plate buildup may be omitted and shoulder face at thread end machined accordingly to restore grip length.

3. Relief Grooves (Fig. 601)

- A. Machine as required, within repair limits, to remove defects. If necessary to adjust grip length, machine shoulder at thread relief.
- B. Shot peen

4. Pin Retention Holes or Slots (Fig. 601)

- A. Machine as required, within repair limits, to remove defects.

5. Oversize Threads (Fig. 601)

NOTE: This thread repair must agree with the threads you cut in the forward trunnion per CMM 32-11-40, REPAIR 1-2, Fig. 608. The 1/16-inch oversize is 3.0625-12UNJS-3A. The 1/8-inch oversize is 3.125-12UNJ-3A. The 3/16-inch oversize is 3.1875-12UNJS-3A.

- A. Make a retainer bolt with oversized threads as necessary per Fig. 601, or get a 161T1315-1, -2, or -3 bolt, which comes with the oversize threads.
- B. If necessary, increase the ID of retaining ring (17, IPL Fig. 17 or 18) to let you use it with this special bolt. Refer to REPAIR 22-1 for details.

- C. Be sure to identify the bolt and outer cylinder as matched parts. We recommend that you vigo-engage MATCHED SET - DO NOT SEPARATE on the bolt and the outer cylinder, and paint these parts with yellow BMS 10-60 enamel.

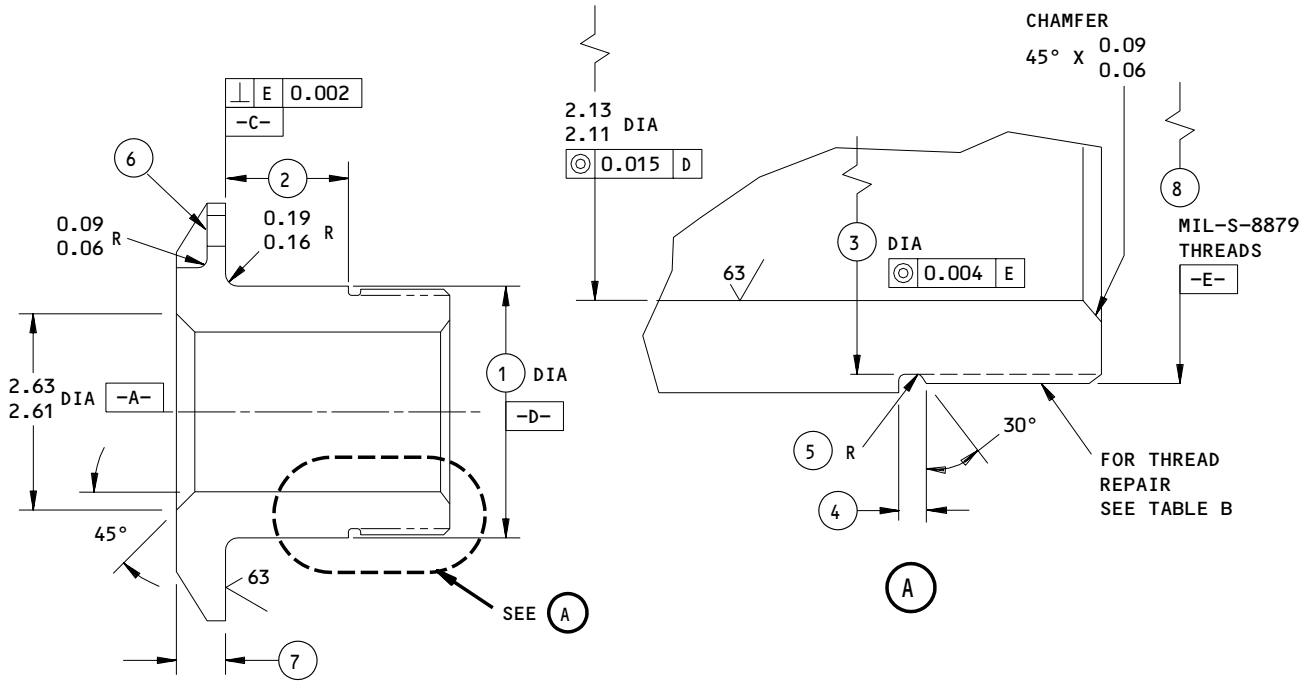
**32-11-20**

REPAIR 9-1

01.1

Page 602

Jul 01/04



REFERENCE NUMBER	1	2	3	4	5	6	7	8
DESIGN DIMENSION	3.160 3.140	1.610 1.590	2.880 2.870	0.260 0.240	0.06 0.04	0.291 (SLOT 0.271 WIDTH)	0.610 0.590	3.00-12UNJ-3A THREAD
REPAIR LIMIT	SEE TABLE B	---	SEE TABLE B	0.270 3	---	0.301 (SLOT 2 WIDTH)	0.575 4	SEE TABLE B

TABLE A

161T1306-2,-4,-5  
161T1315-1,-2,-3  
Bolt Repair and Refinish  
Figure 601 (Sheet 1)

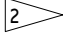
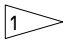
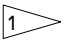

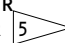
**32-11-20**

REPAIR 9-1

Page 603

Jul 01/04

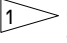
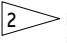

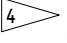

01.1

THREAD SIZE	3.000-12 UNJ-3A (DESIGN)(REF)	3.0625-12 UNJS-3A (1/16 OVERSIZE)	3.125-12 UNJ-3A (1/8 OVERSIZE)	3.1875-12 UNJS-3A (3/16 OVERSIZE)
MAJOR DIA	2.9729 2.9629	3.0474 3.0374	3.0979 3.0879	3.1604 3.1504
PITCH DIA	2.9459 2.9412	3.0084 3.0037	3.0709 3.0662	3.1334 3.1287
MINOR DIA	2.9038 2.8940	2.9663 2.9565	3.0288 3.0190	3.0913 3.0815
ROOT RADIUS	0.0150 0.0125	0.0150 0.0125	0.0150 0.0125	0.0150 0.0125
THREAD RELIEF DESIGN DIA	2.880 2.870	2.9425 2.9325	3.005 2.995	3.0675 3.0575
THREAD RELIEF REPAIR LIMIT	2.850 	—	—	—
SHANK DESIGN DIA	3.16 3.14	3.16 3.14	3.16 3.14	3.31 3.29
SHANK REPAIR LIMIT	3.12 	3.12 	3.12 	—
EQUIVALENT REPAIR BOLT PART NUMBER		161T1315-3	161T1315-1	161T1315-2


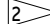
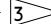
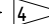
**TABLE B**

**REFINISH**

CADMIUM PLATE (F-15.02) ALL OVER (0.0004 MAX THICK ON THREADS). APPLY BMS 10-11, TYPE 1 PRIMER (F-20.03) TO INSIDE DIAMETER WIPE THREADS WITH PRIMER (F-19.45)

-  LIMIT FOR NICKEL PLATE BUILDUP AND GRINDING TO DESIGN DIMENSION AND FINISH. OBSERVE 0.08 MAX PLATING RUNOUT AT EDGES AND RELIEFS
-  RESTORATION TO DESIGN DIMENSION NOT REQUIRED
-  LIMIT FOR RESTORING GRIP LENGTH WHEN HEAD FACE IS MACHINED BUT NOT RESTORED TO DESIGN DIMENSION BY CHROME PLATE BUILDUP. (RESTORATION OF GROOVE WIDTH TO DESIGN DIMENSION IS NOT REQUIRED)
-  LIMIT FOR CHROME PLATE BUILDUP AND GRINDING TO DESIGN DIMENSION AND FINISH. OBSERVE 0.08 MAX PLATING RUNOUT AT EDGES AND RELIEFS
-  BOLTS 161T1315-1,-2,-3 ARE AVAILABLE FROM BOEING (SB 32A0127)

**REPAIR**

REF    

125/√ ALL MACHINED SURFACES UNLESS SHOWN DIFFERENTLY

SHOT PEEN (BUT NOT ON THREADS): 0.017-0.023 SHOT SIZE 0.016 A2 INTENSITY

MATERIAL: 15-5PH CRES, 180-200 KSI

DIMENSIONS IN TABLE B APPLY AFTER PLATING. OTHER DIMENSIONS APPLY BEFORE PLATING.

ALL DIMENSIONS ARE IN INCHES

161T1306-2,-4,-5  
161T1315-1,-2,-3  
Bolt Repair and Refinish  
Figure 601 (Sheet 2)

**32-11-20**

REPAIR 9-1

Page 604

Jul 01/04

01.1

BOLT ASSEMBLY, LOCK ACTUATOR SUPPORT – REPAIR 10-1

161T1307-4, -5

**NOTE:** Refer to REPAIR-GEN for list of applicable standard practices. For repair of surfaces which may require only restoration of original finish, refer to Refinish instructions, Fig. 601.

1. Shank Repair – Diameter D (Fig. 601)

- A. Machine as required, within repair limits, to remove defects.
- B. Shot peen, chrome plate, and grind to design dimensions and finish. Chrome plate shall not exceed 0.010 inch after grinding.

2. Head Face Repair (Fig. 601)

- A. Machine as required, within repair limits, to remove defects. Blend into relief groove if necessary.
- B. Shot peen, chrome plate, and grind to restore grip length. Do not chrome plate relief groove.

**NOTE:** As an option, chrome plate buildup may be omitted and shoulder face at thread end machined accordingly to restore grip length.

3. Relief Grooves (Fig. 601)

- A. Machine as required, within repair limits, to remove defects. If necessary to adjust grip length, machine shoulder at thread relief.
- B. Shot peen and cadmium plate.

4. Pin Retention Holes (Fig. 601)

- A. Machine as required, within repair limits, to remove defects.
- B. Cadmium plate.

5. Bushing Replacement (Assembly 161T1307-5 only) (Fig. 601)

- A. Remove bushing.
- B. Install new bushing using shrink-fit method.
- C. Check dimensions and machine as necessary to dimensions and finish shown.

**32-11-20**

REPAIR 10-1

01.1

Page 601

Oct 01/93



- | 6. Installation of Oversize Bushings (Assembly 161T1307-5 only) (Fig. 601)
  - A. Machine as required, within repair limits, to remove defects.
  - B. Shot peen and cadmium plate.
  - C. Manufacture bushing per Fig. 602 to compensate for amount of material removed in step A.
  - D. Install bushing per par. 5 above.
- | 7. Bore (Fig. 601)
  - | A. Machine as required within repair limits, to remove defects.
  - | B. Refinish as indicated.

**32-11-20**

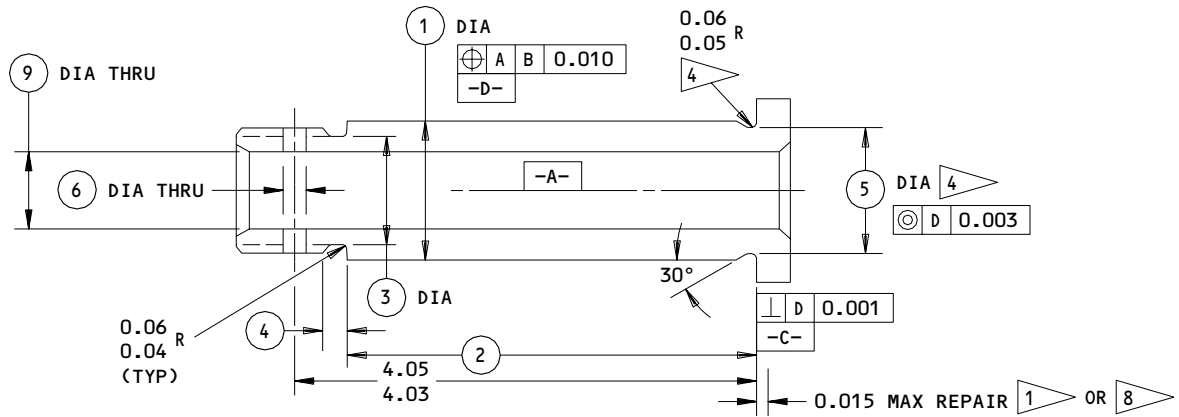
REPAIR 10-1

01.1

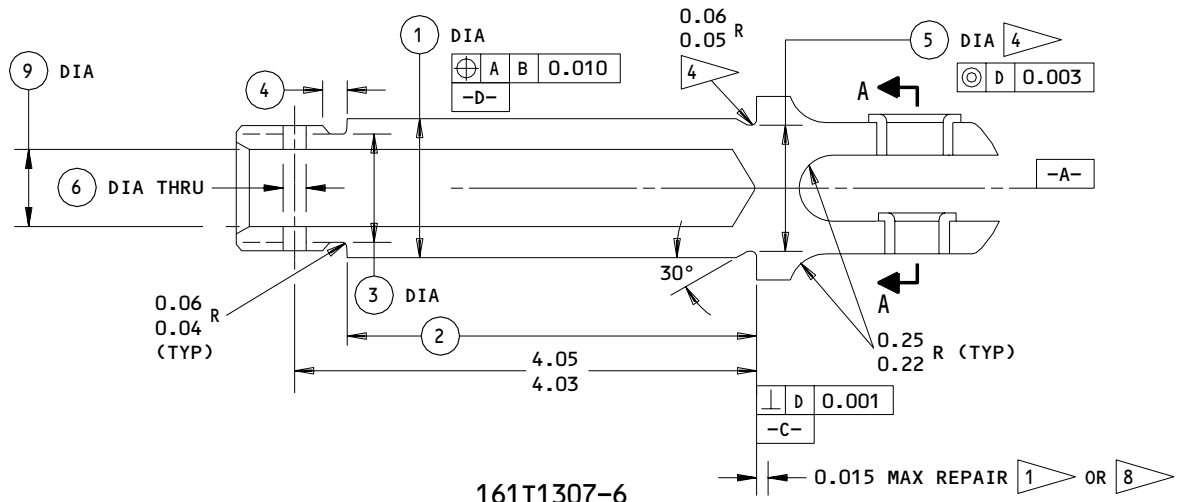
Page 602

Oct 01/93

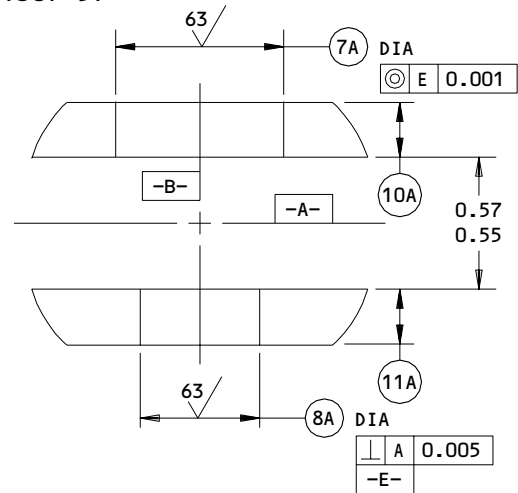
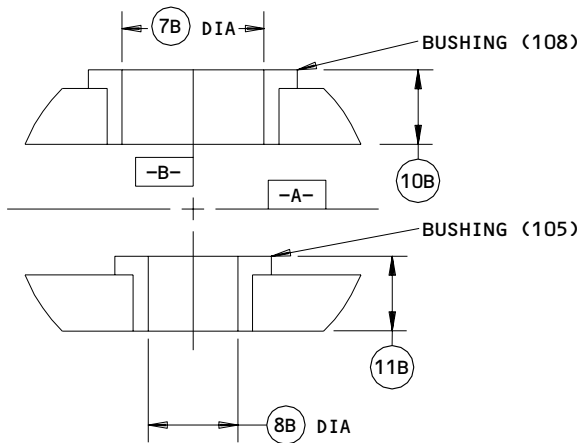
**BOEING**  
COMPONENT  
MAINTENANCE MANUAL



161T1307-4



161T1307-6  
(ASSEMBLY 161T1307-5)



A-A

ITEM NUMBERS REFER TO IPL FIG. 17 OR 18  
ALL DIMENSIONS ARE IN INCHES

161T1307-4, -5, -6  
Bolt Repair and Refinish  
Figure 601 (Sheet 1)

32-11-20

REPAIR 10-1

01.1

Page 603

Nov 01/00

REFERENCE NUMBER	①	②	③	④	⑤	⑥	⑦A	⑦B	⑧A
DESIGN DIMENSION	1.119 1.118	3.37 3.36	0.88 0.87	0.160 0.140	1.104 1.101	0.151 0.141	0.6880 0.6875	0.5640 0.5625	0.5000 0.4995
REPAIR LIMIT	1.098 ①	---	0.81 ②	0.175 ⑤	1.035 ②	0.171 ②	0.7480 ③	---	0.5600 ③

REFERENCE NUMBER	⑧B	⑨ ⑥	⑨ ⑦	⑩A	⑩B	⑪A	⑪B
DESIGN DIMENSION	0.3765 0.3750	0.63 0.61	0.63 0.61	0.27 0.22	0.332 0.287	0.26 0.25	0.322 0.307
REPAIR LIMIT	---	0.655 ②	---	0.21 ③	---	0.21 ③	---

REFINISH

CHROME PLATE (F-15.34) DIA -D-, 0.003 MIN THICK. OBSERVE 0.08 MAX CHROME PLATE RUNOUT.

CADMIUM PLATE (F-15.02) OTHER AREAS.

APPLY CORROSION PREVENTIVE COMPOUND MIL-C-11796 CLASS 1 (F-19.03) ON ID.

APPLY PRIMER & ENAMEL AS SHOWN IN CMM 32-00-02.

REPAIR

REF ① ③ ⑤

125 ✓ ALL MACHINED SURFACES UNLESS SHOWN DIFFERENTLY

SHOT PEEN (EXCEPT ON THREADS):

0.017-0.023 SHOT SIZE

0.016 A2 INTENSITY

MATERIAL: 4330M STEEL, 180-200 KSI

- ① LIMIT FOR CHROME PLATE BUILDUP & GRINDING TO DESIGN DIM & FINISH. OBSERVE 0.08 MAX PLATING RUNOUT.
- ② RESTORATION TO DESIGN DIM NOT REQUIRED.
- ③ LIMIT FOR INSTL OF OVERSIZE BUSHING
- ④ NO CHROME PLATE
- ⑤ LIMIT FOR RESTORING GRIP LENGTH WHEN HEAD FACE IS MACHINED BUT NOT RESTORED TO DESIGN DIM BY CHROME PLATE BUILDUP. (RESTORATION OF GROOVE WIDTH TO DESIGN DIM IS NOT REQUIRED.)
- ⑥ 161T1307-4
- ⑦ 161T1307-5,-6
- ⑧ RESTORE GRIP LENGTH AT ④

161T1307-4,-5,-6  
Bolt Repair and Refinish  
Figure 601 (Sheet 2)

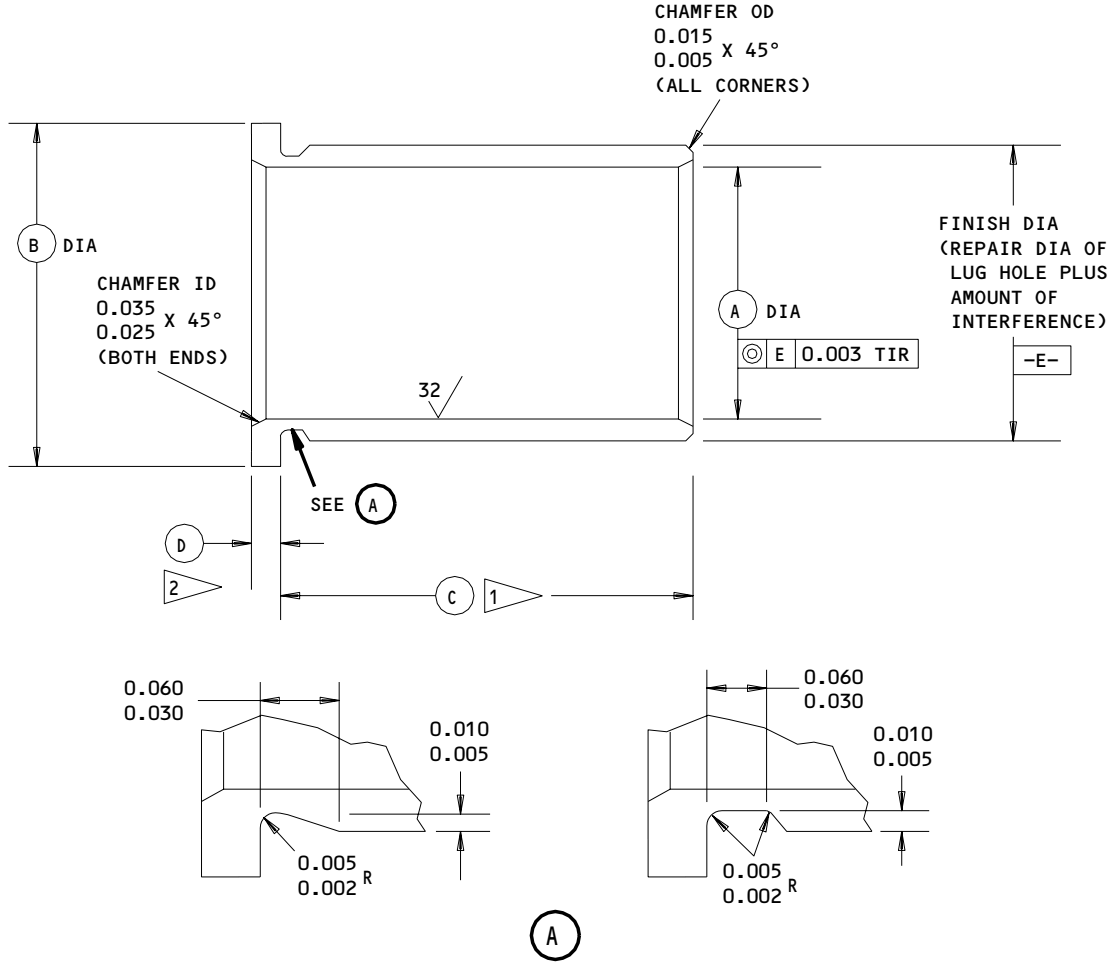
**32-11-20**

REPAIR 10-1

01.1

Page 604

Nov 01/00



LOCATION (FIG. 601)	REPLACES BUSHING	A	B	C	D	INTERFERENCE
7A	(108) BACB28X9M025	0.5640 0.5625	0.822 0.802	0.250 0.245	0.062 0.057	0.0025 0.0006
8A	(105) BACB28X6M025	0.3765 0.3750	0.635 0.615	0.250 0.245	0.062 0.057	0.0026 0.0010

1 MINUS AMOUNT REMOVED FROM LUG FACE  
2 PLUS AMOUNT REMOVED FROM LUG FACE

63/ ALL MACHINED SURFACES EXCEPT AS NOTED  
BREAK SHARP EDGES 0.010-0.020 R  
CADMIUM PLATE (F-15.06) EXCEPT IN BORE  
MATERIAL: AL-NI-BRZ PER AMS 4640 OR 4880  
ALL DIMENSIONS ARE IN INCHES

Oversize Bushing Details  
Figure 602

SPINDLE ASSEMBLY – REPAIR 11-1

161T2008-1, -3, -5

**NOTE:** Refer to REPAIR-GENERAL for list of applicable standard practices.  
Refer to IPL Fig. 17 or 18 for item numbers.

1. Bushing Replacement (Fig. 601)

- A. Remove bushings.
- B. Install new bushings using shrink-fit method.
- C. Check dimensions and machine as necessary to dimensions and finish shown.
- D. Seal bushings per REPAIR 20-1, Fig. 601.
- E. Apply grease at all lube fittings until grease appears at ID of bushings, to ensure lube passages are clear.

2. Lube Fitting Replacement

- A. Replace lube fittings (308) per 32-00-03.

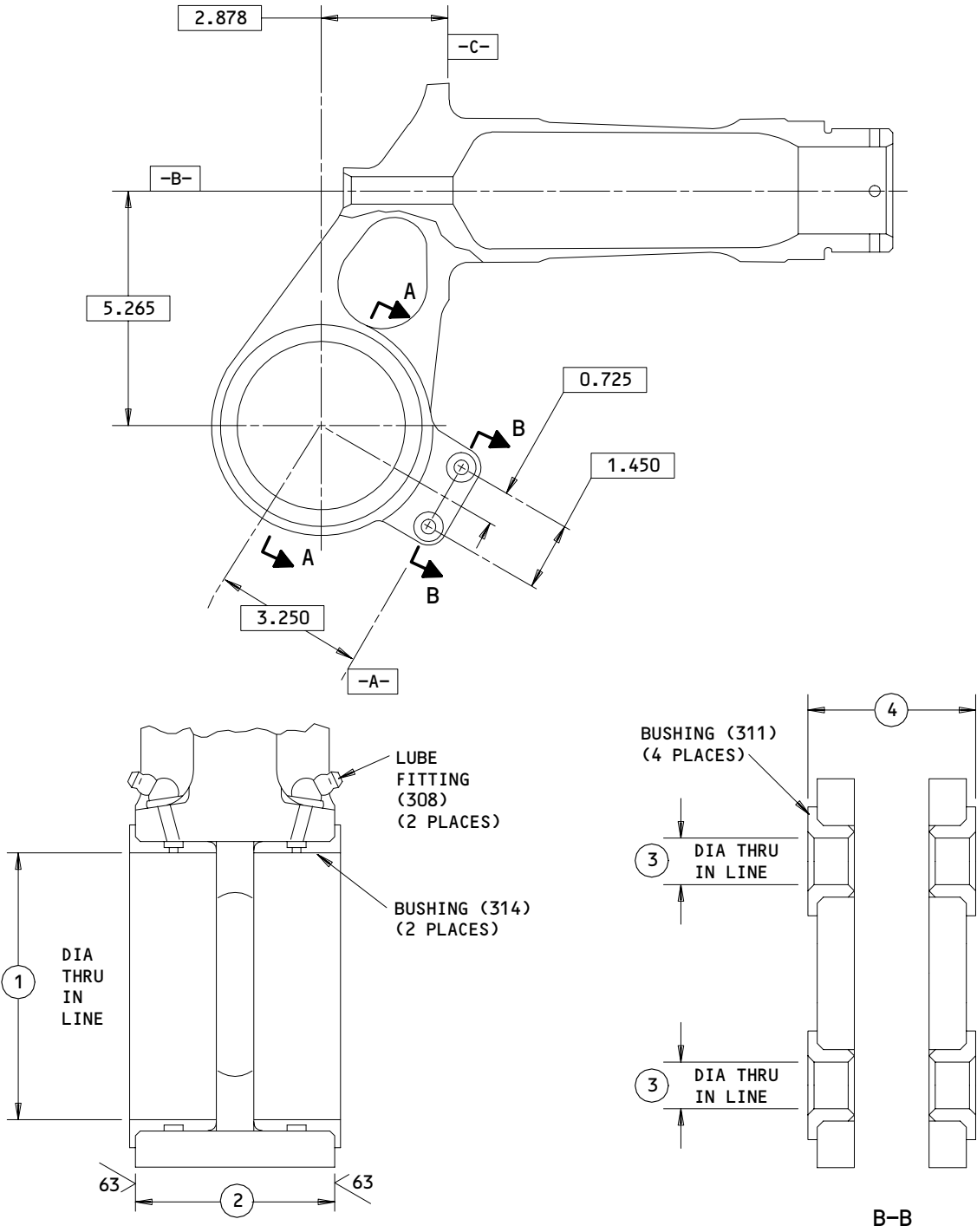
**32-11-20**

REPAIR 11-1

01.1

Page 601

Mar 01/97



	①	②	③	④
DESIGN	3.7515	2.872	0.3215	1.147
DIM	3.7500	2.868	0.3200	1.100

161T2008-1,-3,-5  
 Bushing Replacement  
 Figure 601

**32-11-20**

REPAIR 11-1

01.1

Page 602

Apr 10/87

SPINDLE - REPAIR 11-2

161T2008-2, -4, -6

NOTE: Refer to REPAIR-GENERAL for list of applicable standard practices, and to IPL Fig. 17 or 18 for item numbers. For repair of surfaces which may require only restoration of original finish, refer to Refinish instructions, Fig. 601, REPAIR 11-3.

1. Lug Faces and Holes (Fig. 601)

A. Method 1 -- Removal of Corrosion in Center of Lug ID

NOTE: This procedure enables corrosion to be removed without machining the entire bore oversize, if corrosion is localized at the center area which is exposed between two bushings.

- (1) Determine repair diameter and width of groove required to remove corrosion (Fig. 602).
- (2) Machine center area as required.
- (3) Cadmium-titanium plate and apply primer, BMS 10-11, type 1.
- (4) Install bushings per REPAIR 11-1 .
- (5) Completely fill cavity under and between bushings with BMS 3-33 or MIL-G-23827 grease.

B. Method 2 -- Installation of Oversize Bushings

- (1) Machine as required, within repair limits, to remove defects.
- (2) Shot peen, cadmium-titanium plate and apply primer, BMS 10-11 type 1.
- (3) Manufacture bushings (Fig. 603 and on), as required, to compensate for amount of material removed in step (1).
- (4) Install bushings per REPAIR 11-1.

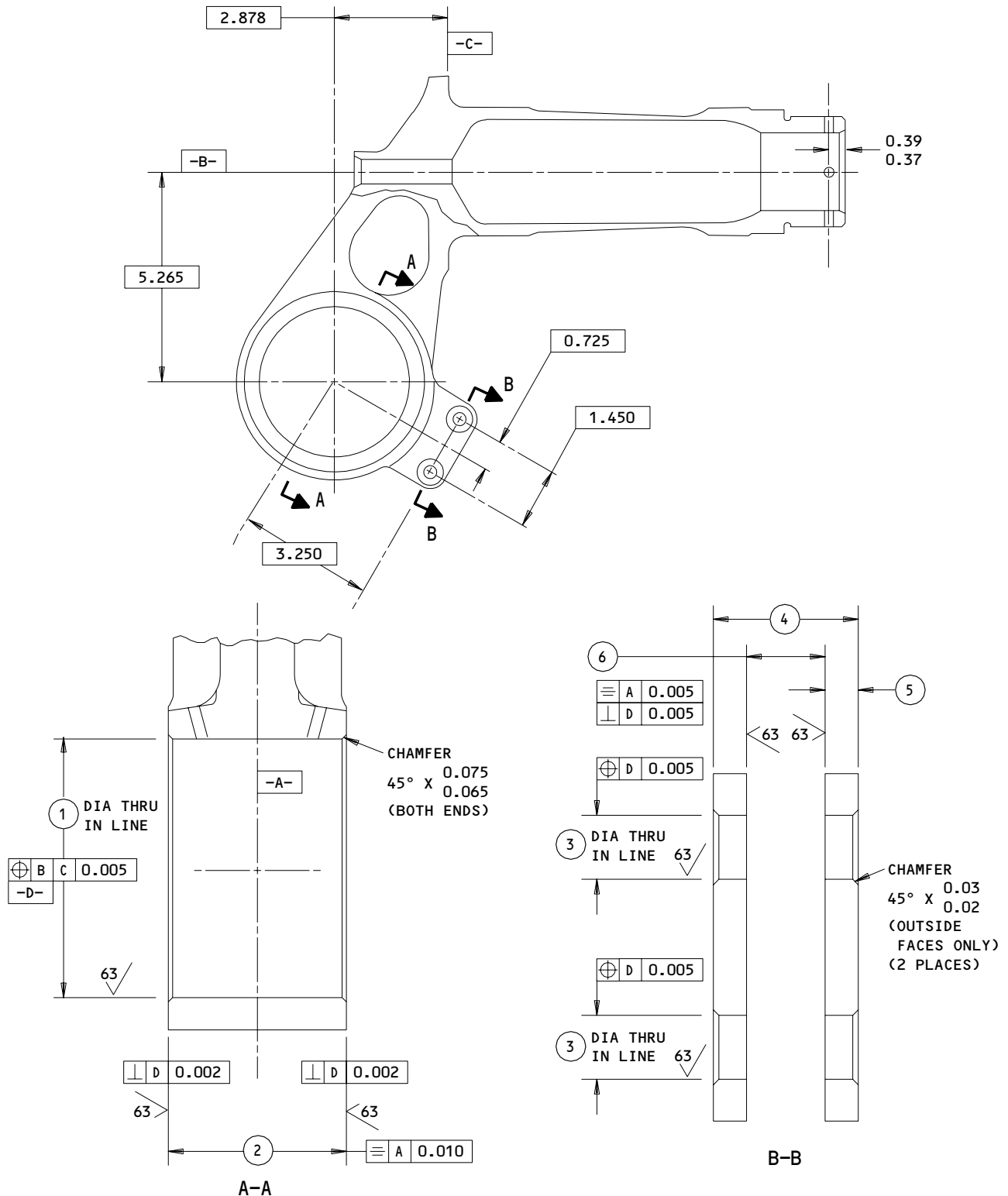
**32-11-20**

REPAIR 11-2

01.1

Page 601

Jul 01/04



161T2008-2,-4,-6  
 Lug Face and Hole Repair  
 Figure 601 (Sheet 1)

**32-11-20**

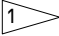
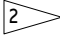
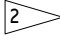
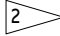
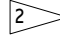
REPAIR 11-2

Page 602

Apr 10/87

01.1

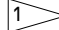
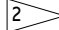


	①	②	③	④	⑤	⑥
DESIGN DIM	3.9915 3.9900	2.7054 2.7004	0.4465 0.4450	1.025 0.980	0.260 0.240	0.505 0.500
REPAIR LIMIT 	4.0515	2.6704 	0.5065	0.950 	0.220 	0.550 

REFINISH

(REF REFINISH INSTRUCTIONS, REPAIR 11-3)

REPAIR

REF  

125/ ALL MACHINED SURFACES UNLESS SHOWN DIFFERENTLY


SHOT PEEN:

RC 55-65 SHOT HEAT TREAT  
0.016-0.033 SHOT SIZE  
0.014-0.018 A2 INTENSITY

MATERIAL: 4340M STEEL, 275-300 KSI

ALL DIMENSIONS ARE IN INCHES

 REPAIR LIMIT FOR INSTALLATION OF OVERSIZE BUSHINGS

 LUG FACE MACHINING REQUIREMENTS:

1. MATERIAL REMOVED FROM ANY FACE MUST NOT EXCEED HALF THE DIFFERENCE BETWEEN THE DESIGN DIMENSION AND REPAIR LIMIT
2. FLAT SURFACE MUST BE MINIMUM OF 0.02 LARGER THAN FLANGE DIAMETER OF BUSHING TO BE INSTALLED
3. BLEND MISMATCH STEPS TO 0.18-0.26 RADIUS, OR IF WITHIN 0.10 OF LUG FILLET RADIUS, USE SAME RADIUS AS LUG FILLET. BREAK SHARP EDGES 0.03-0.07 R

161T2008-2,-4,-6  
Lug Face and Hole Repair  
Figure 601 (Sheet 2)

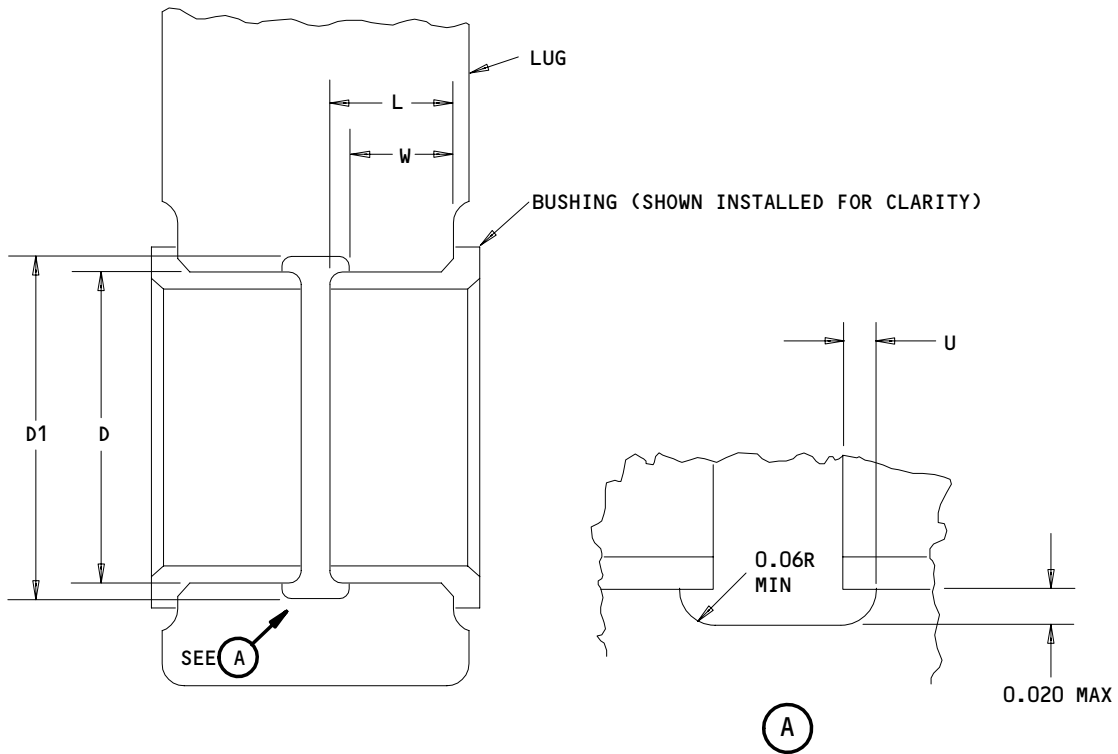
**32-11-20**

REPAIR 11-2

Page 603

Nov 01/01

01.1



- D = MAX REPAIR DIA OF HOLE (SEE FIG. 601)
  - D1 = MAX REPAIR DIA OF GROOVE = (D +0.040)
  - L = LENGTH OF BUSHING (SEE FIG. 603)
  - U = UNDERCUT = (L X 0.1) (0.06 MAX)
  - W = LUG DIM TO EDGE OF GROOVE = (L-U)
- ALL DIMENSIONS ARE IN INCHES

Lug Hole Diameter - Corrosion Removal from Area Between Bushings  
 Figure 602

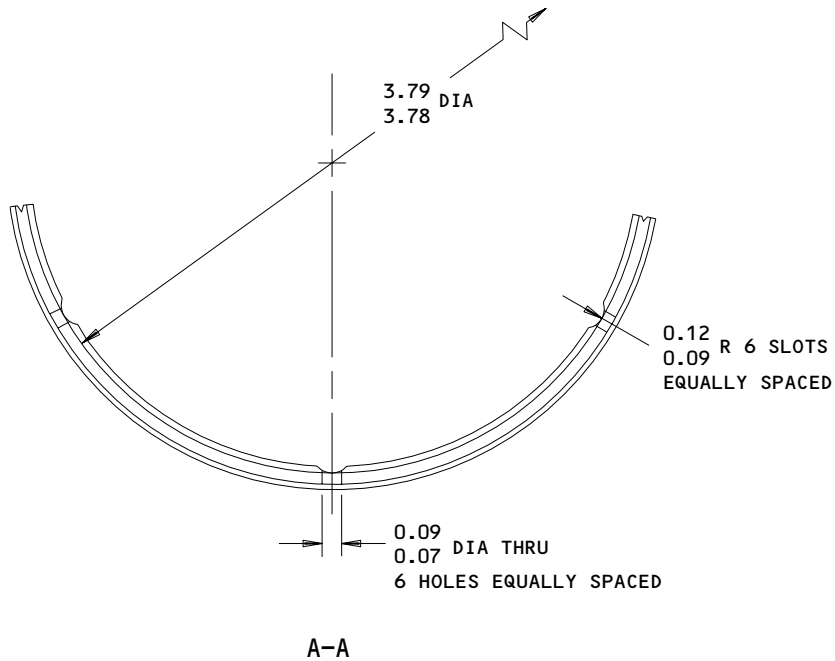
**32-11-20**

REPAIR 11-2  
 Page 604  
 Oct 10/86

01

232172



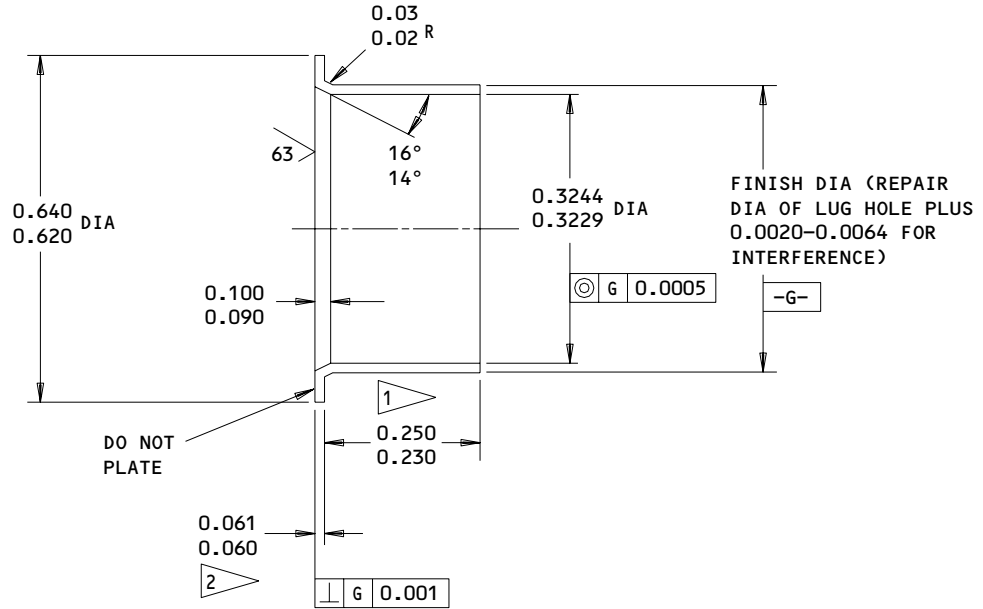


HOLE LOCATION ① FIG. 601 - REPLACES BUSHING (314) 161T2049-1

125 ✓ ALL MACHINED SURFACES EXCEPT AS NOTED  
 BREAK SHARP EDGES 0.01-0.02 R  
 CADMIUM PLATE (0.0003-0.0005 THICK, F-15.06)  
 ALL OVER, EXCEPT AS NOTED  
 MATERIAL: AL-NI-BRZ PER AMS 4640 OR 4880  
 ALL DIMENSIONS APPLY BEFORE PLATING  
 ALL DIMENSIONS ARE IN INCHES

- 1 MINUS AMOUNT REMOVED FROM LUG FACE
- 2 PLUS AMOUNT REMOVED FROM LUG FACE
- 3 DO NOT PLATE

Oversize Bushing Details  
 Figure 603 (Sheet 2)



HOLE LOCATION (3) FIG. 601 - REPLACES BUSHING (311) 161T6040-11

125/ ALL MACHINED SURFACES EXCEPT AS NOTED  
 BREAK SHARP EDGES 0.01-0.02 R  
 CADMIUM PLATE (0.0003-0.0005 THICK, F-15.06)  
 ALL OVER, EXCEPT AS NOTED  
 MATERIAL: AL-NI-BRZ PER AMS 4640 OR 4880  
 ALL DIMENSIONS APPLY BEFORE PLATING  
 ALL DIMENSIONS ARE IN INCHES

1 MINUS AMOUNT REMOVED FROM LUG FACE  
 2 PLUS AMOUNT REMOVED FROM LUG FACE

Oversize Bushing Details  
Figure 604

**32-11-20**  
REPAIR 11-2  
Page 607  
Sep 01/97

01.1

SPINDLE - REPAIR 11-3

161T2008-2, -4, -6

**NOTE:** Refer to REPAIR-GEN for a list of applicable standard practices. For repair of surfaces which is only replacement of the original finish, refer to Refinish instructions, Fig. 601.

**1. Shank - Diameters E, H** (Fig. 601)

- A. Machine as required, within repair limits, to remove defects.
- B. Shot peen, chrome plate, and grind to design dimensions and finish.  
Chrome plate thickness must not be more than 0.010 inch after grinding.

**2. Head Face** (Fig. 601)

- A. Machine as required, within repair limits, to remove defects. Blend into shank-to-head radius.
- B. Shot peen, chrome plate, and grind to restore grip length. Do not chrome plate shank-to-head radius.

**NOTE:** As an option, chrome plate buildup may be omitted and shoulder face at thread end machined accordingly to restore grip length.

**3. Relief Grooves** (Fig. 601)

- A. Machine as required, within repair limits, to remove defects. If necessary to adjust grip length, machine shoulder at thread relief.
- B. Shot peen, apply cadmium-titanium plate and refinish.

**4. Pin Retention Holes; Small Bore** (Fig. 601)

- A. Machine as required, within repair limits, to remove defects.
- B. Cadmium-titanium plate. Apply primer.

**32-11-20**

REPAIR 11-3

01.1

Page 601

Jun 01/94

5. Threads (Fig. 601)

A. Cut the threads to a smaller size, as shown.

B. Cadmium-titanium plate the threads. Apply primer per 32-00-02.

C. Make an undersize nut (Fig. 602).

D. Be sure to identify the spindle and the nut as matched parts. We recommend that you vibro-engage "MATCHED SET-DO NOT SEPARATE" on the spindle and the nut, and paint these parts with yellow BMS 10-60 enamel.

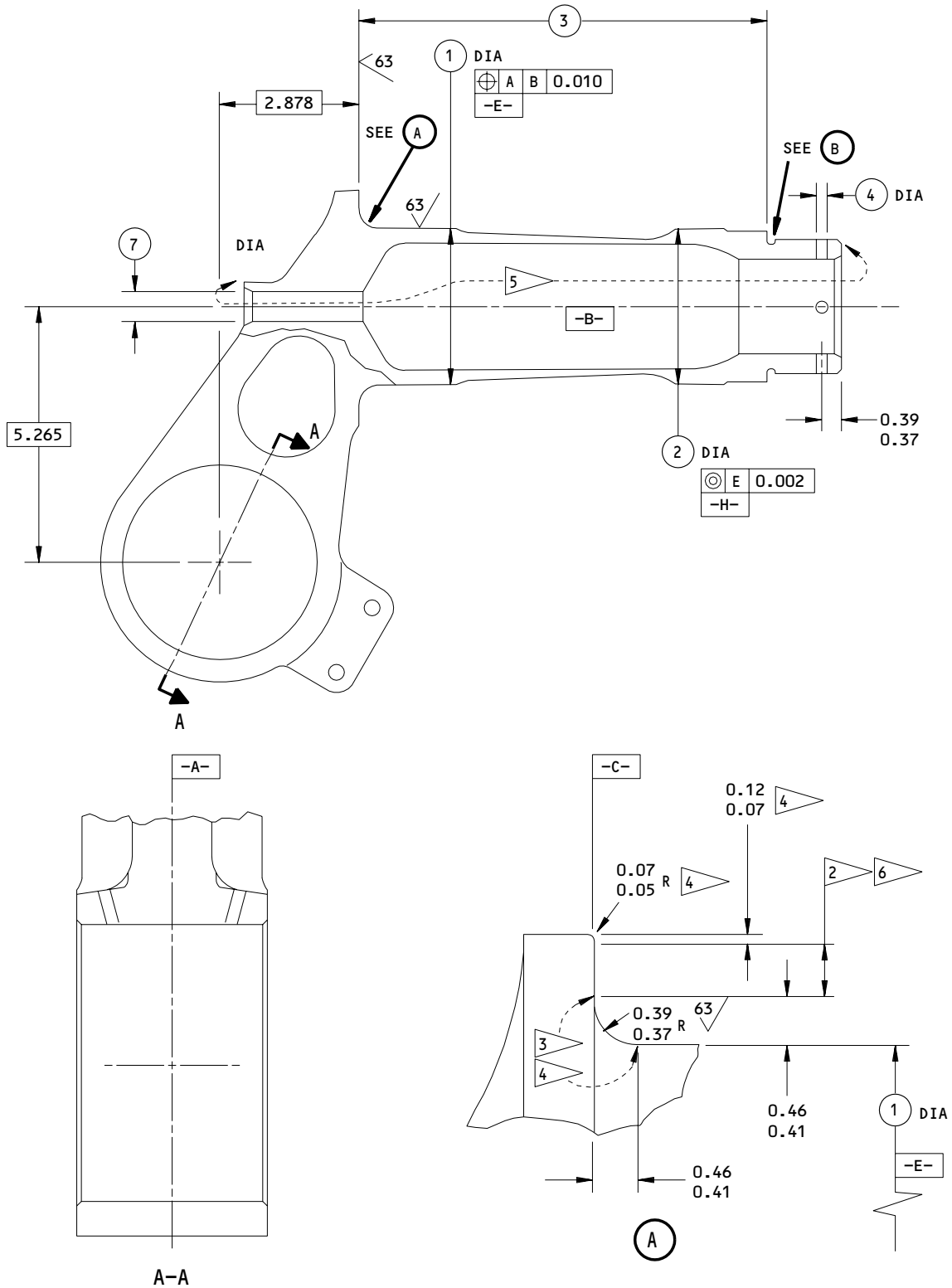
**32-11-20**

REPAIR 11-3

01.1

Page 602

Sep 01/97



161T2008-2,-4,-6  
Spindle Repair and Refinish  
Figure 601 (Sheet 1)

**32-11-20**

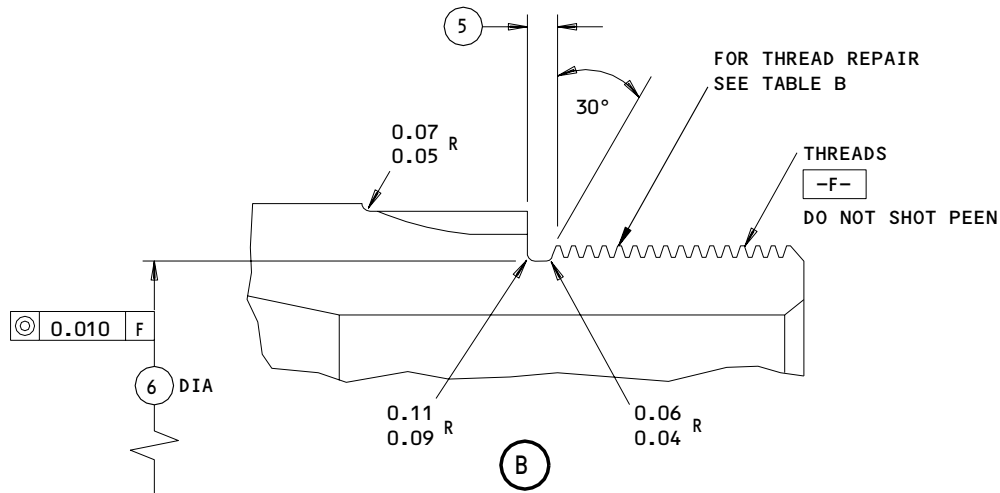
REPAIR 11-3

Page 603

Nov 01/05

01.1





REFERENCE NUMBER	1	2	3	4	5	6	7
DESIGN DIMENSION	3.249 3.246	3.186 3.183	8.34 8.32	0.270 0.246	0.177 0.157	2.630 2.620	0.640 0.620
REPAIR LIMIT	3.226 7	3.163 7	---	0.290 8	0.187 9	SEE TABLE B	0.645 8

TABLE A

UNJ-3A THREAD SIZE	2.750-12 (DESIGN)	2.625-12 (1/8 UNDERSIZE)
MAJOR DIA	2.7229 2.7129	2.5979 2.5879
PITCH DIA	2.6959 2.6913	2.5709 2.5663
MINOR DIA	2.6538 2.6442	2.5288 2.5192
ROOT RADIUS	0.0150 0.0125	0.0150 0.0125
THREAD RELIEF DESIGN DIA	2.630 2.620	2.505 2.495
THREAD RELIEF REPAIR LIMIT	2.600 8	---

TABLE B

161T2008-2,-4,-6

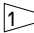
Spindle Repair and Refinish  
 Figure 601 (Sheet 2)

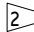
**32-11-20**

REPAIR 11-3  
 Page 604  
 Mar 01/95

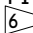
01.1

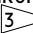
REFINISH

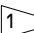
CHROME PLATE  DIA -E-, -H-

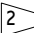
CHROME PLATE AREA SHOWN , WITH 0.08 MAX PLATING RUNOUT

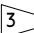
CADMIUM-TITANIUM PLATE (F-15.01) ALL OTHER AREAS, 0.0005 MIN THICK, BUT 0.0005-0.0010 IN HOLES. APPLY PRIMER, BMS 10-11, TYPE 1 (F-20.02) UNLESS SHOWN DIFFERENTLY.

AFTER INSTL OF BUSHINGS AND LUBE FITTINGS, APPLY ENAMEL, BMS 10-60 (SRF-14.9813) BUT NOT ON BUSHING BORES AND FACES, LUBE FITTINGS, CHROME PLATED AREAS, AND AS SHOWN BY .

APPLY WIPE PRIMER TO CHROME PLATED AND THREADED AREAS, AND AS SHOWN BY , AS SHOWN IN CMM 32-00-02.


 CHROME PLATE (F-15.34), 0.003 MIN THICK

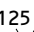
 FLASH CHROME PLATE (F-15.03) 0.0003-0.0005 THICK AND WIPE PRIMER AS SHOWN IN CMM 32-00-02.

 CADMIUM TITANIUM PLATE (F-15.01) AND WIPE WITH PRIMER AS SHOWN IN CMM 32-00-02

 NO CHROME PLATE

REPAIR

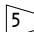
REF   

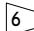
125/  ALL MACHINED SURFACES UNLESS SHOWN DIFFERENTLY


SHOT PEEN: RC 55-65 SHOT HEAT TREAT  
0.016-0.033 SHOT SIZE  
0.014-0.018 A2 INTENSITY

MATERIAL: 4340M STEEL, 275-300 KSI

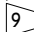
ALL DIMENSIONS ARE IN INCHES

 AFTER CADMIUM-TITANIUM PLATE AND PRIMER APPLY CORROSION PREVENTIVE COMPOUND MIL-C-11796 (F-19.03) ON INTERNAL BORE

 NO ENAMEL

 LIMIT FOR CHROME PLATE BUILDUP AND GRINDING TO DIMENSIONS SHOWN, WITH 0.08 MAX PLATING RUNOUT AT EDGES, HOLES, AND RELIEFS UNLESS SHOWN DIFFERENTLY.

 RESTORATION TO DESIGN DIM NOT REQUIRED

 LIMIT FOR RESTORING GRIP LENGTH WHEN HEAD FACE IS MACHINED BUT NOT RESTORED TO DESIGN DIM BY CHROME PLATE BUILDUP. (RESTORATION OF GROOVE WIDTH TO DESIGN DIM IS NOT REQUIRED.)

161T2008-2,-4

Spindle Repair and Refinish  
Figure 601 (Sheet 3)

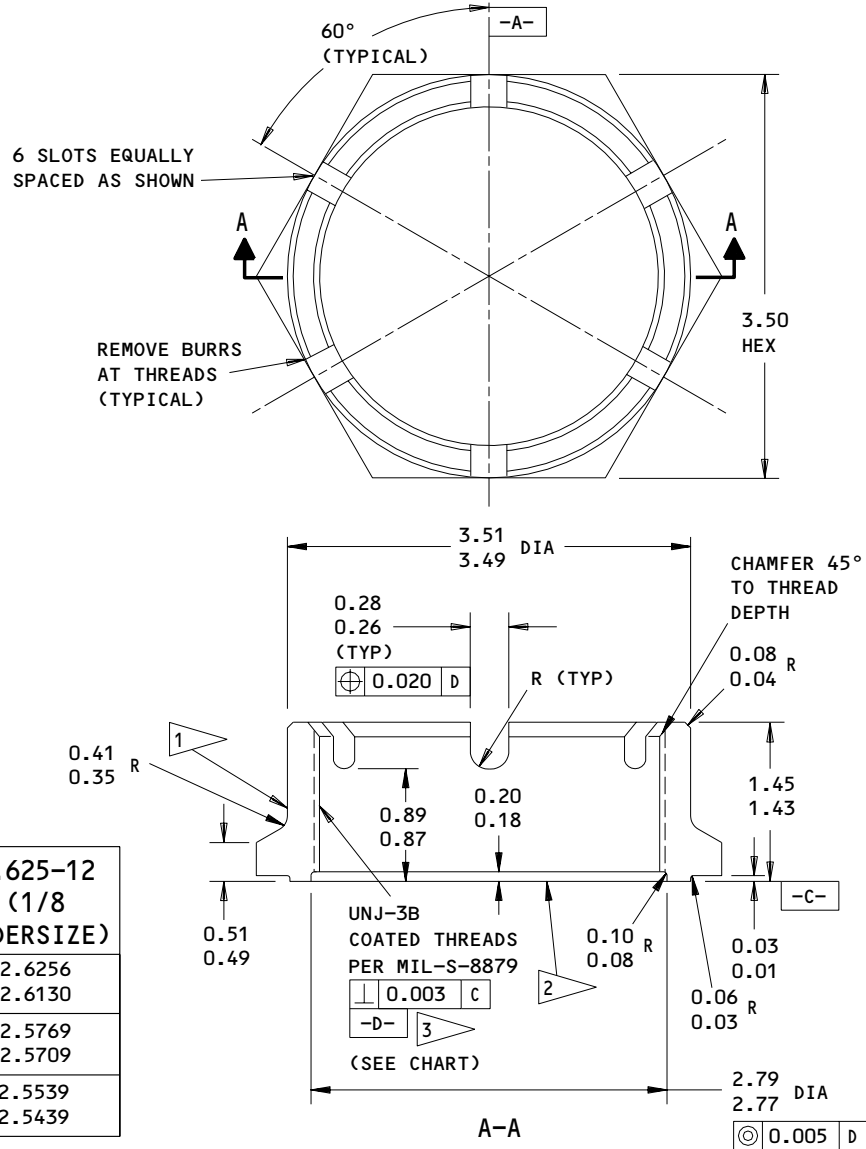
**32-11-20**

REPAIR 11-3

01.1

Page 605

Mar 01/95



UNJ-3B THREAD SIZE	2.750-12 (DESIGN) (REF)	2.625-12 (1/8 UNDERSIZE)
MAJOR DIA	2.7506 2.7380	2.6256 2.6130
PITCH DIA	2.7035 2.6959	2.5769 2.5709
MINOR DIA	2.6788 2.6688	2.5539 2.5439

**REFINISH**

CADMIUM-TITANIUM PLATE (F-15.01). APPLY BMS 10-11, TYPE 1 (F-20.02) PRIMER AND ENAMEL, BMS 10-60 (SRF-14.9813), EXCEPT USE YELLOW ENAMEL ON NUTS WITH UNDERSIZE THREADS. WIPE THREADS AND THREAD RELIEF WITH PRIMER (F-19.45).

- 1 ON NUTS WITH UNDERSIZE THREADS, VIBRO-ENGRAVE "MATCHED SET - DO NOT SEPARATE" IN THIS LOCATION.
- 2 APPLY PRIMER BMS 10-11, TYPE 1 (F-20.03) TO THIS SURFACE.
- 3 DO NOT SHOT PEEN THREADS.

**REPAIR**

125 ✓ ALL MACHINED SURFACES UNLESS SHOWN DIFFERENTLY  
 BREAK SHARP EDGES 0.02 R EXCEPT AS NOTED  
 MAGNETIC PARTICLE EXAMINE, CLASS B (SOPM 20-20-01)  
 SHOT PEEN (SOPM 20-10-03):  
 Rc 55-65 SHOT HEAT TREAT  
 0.016-0.033 SHOT SIZE  
 0.014-0.018 A2 INTENSITY  
 MATERIAL: 4340M STEEL, 275-300 KSI  
 ALL DIMENSIONS ARE IN INCHES

REPLACES 161T2015-1  
 Undersize Nut Details  
 Figure 602

**32-11-20**  
 REPAIR 11-3  
 Page 606  
 Jul 01/00

SPINDLE ASSEMBLY – REPAIR 12-1

161T6005-1, -3

**NOTE:** Refer to REPAIR-GENERAL for list of applicable standard practices.  
Refer to IPL Fig. 17 or 18 for item numbers.

1. Bushing Replacement (Fig. 601)

- A. Remove bushings.
- B. Install new bushings using shrink-fit method.
- C. Check dimensions and machine as necessary to dimensions and finish shown.
- D. Seal bushings per REPAIR 20-1, Fig. 601.
- E. Apply grease at lube fitting until grease appears at ID of bushings, to ensure lube passages are clear.

2. Lube Fitting Replacement

- A. Replace lube fitting (338) per 32-00-03.

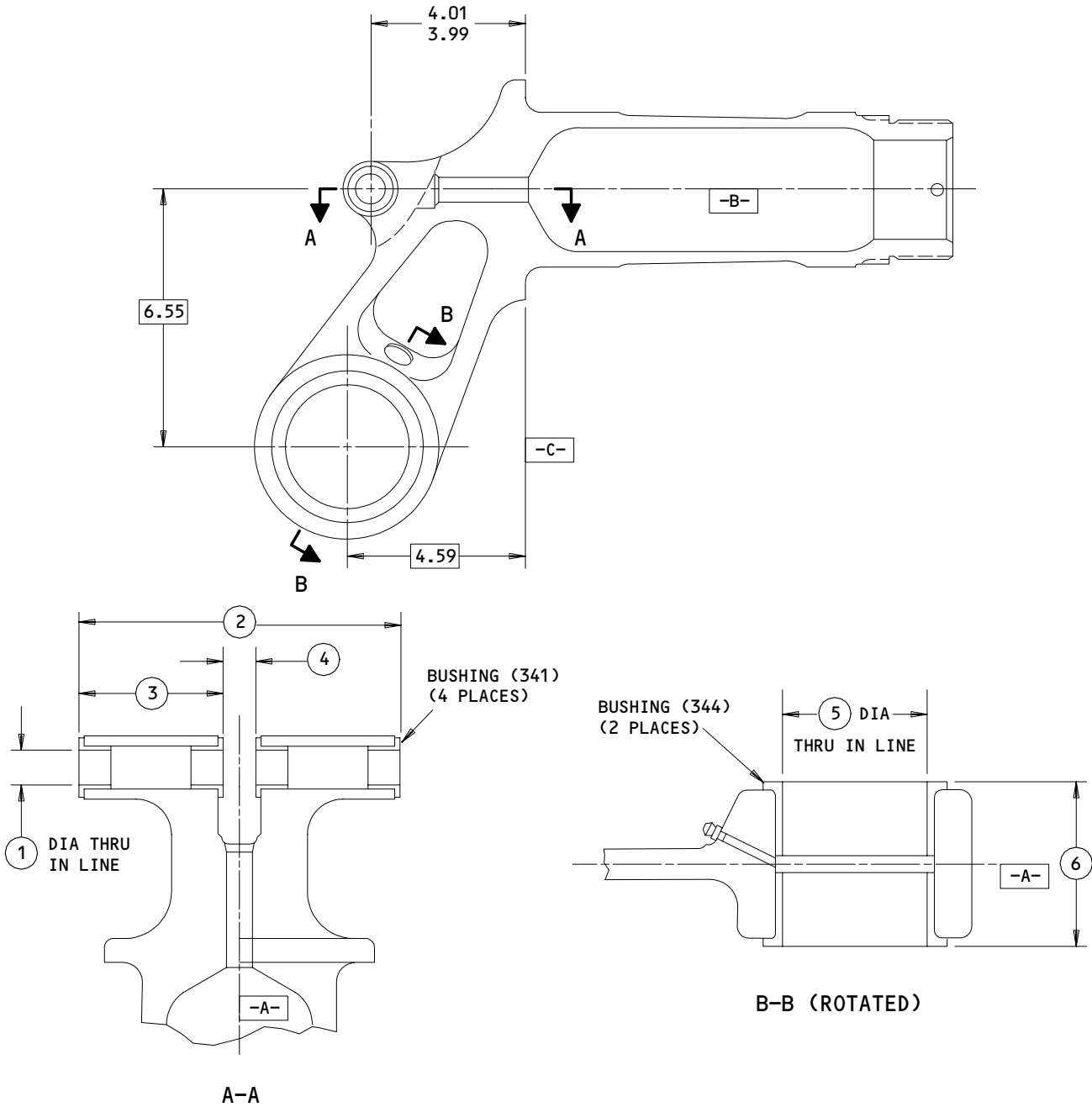
**32-11-20**

REPAIR 12-1

01.1

Page 601

Mar 01/97



	①	②	③	④	⑤	⑥
DESIGN	0.7515	6.630	2.882	0.885	3.0015	3.2500
DIM	0.7500	6.610	2.860	0.875	3.0000	3.2384

ALL DIMENSIONS ARE IN INCHES

161T6005-1,-3  
 Bushing Replacement  
 Figure 601

**32-11-20**

REPAIR 12-1

01.1

Page 602

Apr 10/87

SPINDLE - REPAIR 12-2

161T6005-2, -4

NOTE: Refer to REPAIR-GENERAL for list of applicable standard practices, and to IPL Fig. 17 or 18 for item numbers. For repair of surfaces which may require only restoration of original finish, refer to Refinish instructions, Fig. 601, REPAIR 12-3.

1. Lug Faces and Holes (Fig. 601)

A. Method 1 -- Removal of Corrosion in Center of Lug ID

NOTE: This procedure enables corrosion to be removed without machining the entire bore oversize, if corrosion is localized at the center area which is exposed between two bushings.

- (1) Determine repair diameter and width of groove required to remove corrosion (Fig. 602).
- (2) Machine center area as required.
- (3) Cadmium-titanium plate and apply primer, BMS 10-11, type 1.
- (4) Install bushings per REPAIR 12-1.
- (5) Completely fill cavity under and between bushings with BMS 3-33 or MIL-G-23827 grease.

B. Method 2 -- Installation of Oversize Bushings

- (1) Machine as required, within repair limits, to remove defects.
- (2) Shot peen, cadmium-titanium plate and apply primer, BMS 10-11 type 1.
- (3) Manufacture bushings (Fig. 603 and on), as required, to compensate for amount of material removed in step (1).
- (4) Install bushings per REPAIR 12-1.

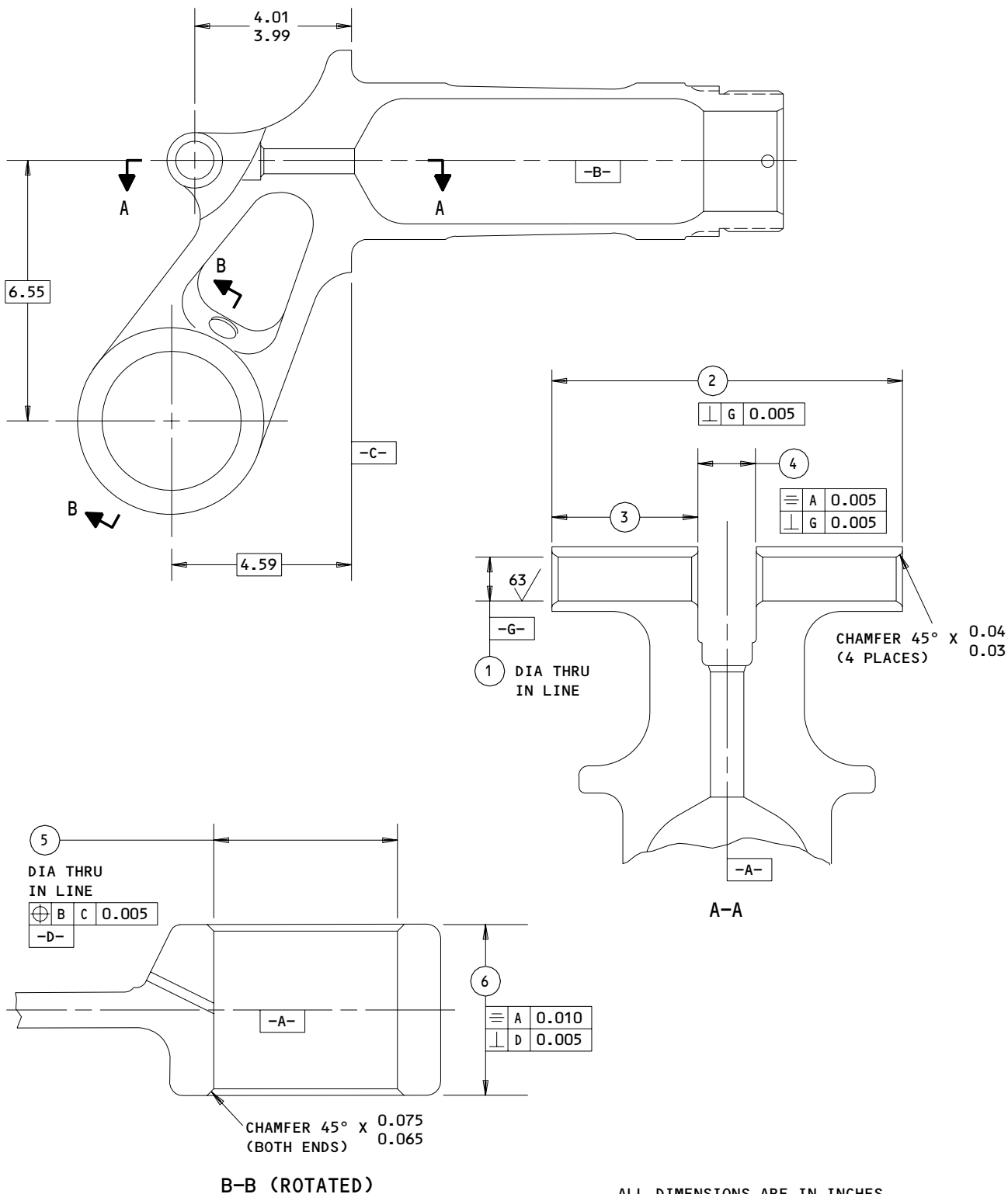
**32-11-20**

REPAIR 12-2

01.1

Page 601

Jul 01/04

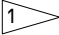
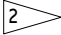
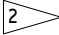
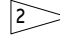
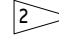


ALL DIMENSIONS ARE IN INCHES

161T6005-2,-4  
 Lug Face and Hole Repair  
 Figure 601 (Sheet 1)

**32-11-20**  
 REPAIR 12-2  
 Page 602  
 Apr 10/87

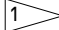
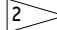
01.1

	①	②	③	④	⑤	⑥
DESIGN DIM	0.8765 0.8750	6.51 6.49	2.76 2.74	1.005 1.000	3.2415 3.2400	2.9954 2.9904
REPAIR LIMIT 	0.9365	6.46 	2.71 	1.065 	3.3015	2.9604 

REFINISH

(REF REFINISH INSTRUCTIONS, REPAIR 12-3)

REPAIR

REF  

125/ ALL MACHINED SURFACES UNLESS SHOWN DIFFERENTLY

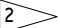
SHOT PEEN:

RC 55-65 SHOT HEAT TREAT  
0.016-0.033 SHOT SIZE  
0.014-0.018 A2 INTENSITY

MATERIAL: 4340M STEEL, 275-300 KSI

ALL DIMENSIONS ARE IN INCHES

 REPAIR LIMIT FOR INSTALLATION OF OVERSIZE BUSHINGS

 LUG FACE MACHINING REQUIREMENTS:

1. MATERIAL REMOVED FROM ANY FACE MUST NOT EXCEED HALF THE DIFFERENCE BETWEEN THE DESIGN DIMENSION AND REPAIR LIMIT
2. FLAT SURFACE MUST BE MINIMUM OF 0.02 LARGER THAN FLANGE DIAMETER OF BUSHING TO BE INSTALLED
3. BLEND MISMATCH STEPS TO 0.18-0.26 RADIUS, OR IF WITHIN 0.10 OF LUG FILLET RADIUS, USE SAME RADIUS AS LUG FILLET. BREAK SHARP EDGES 0.03-0.07 R

161T6005-2,-4  
Lug Face and Hole Repair  
Figure 601 (Sheet 2)

**32-11-20**

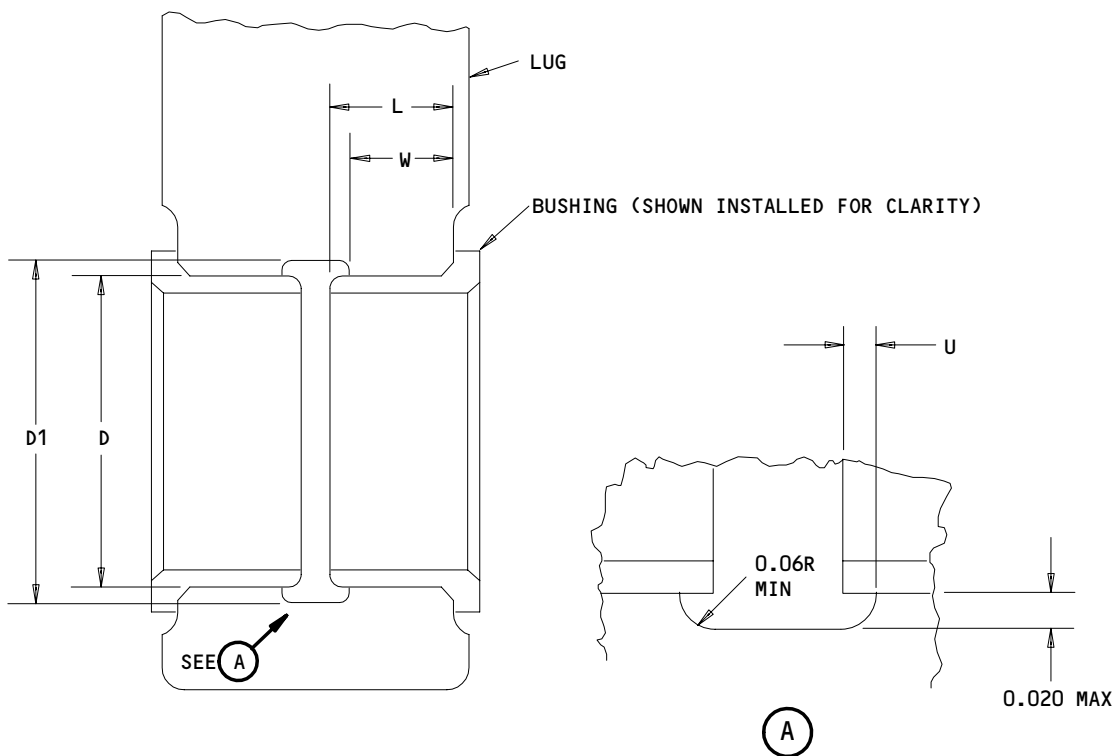
REPAIR 12-2

Page 603

Sep 01/97

01.1





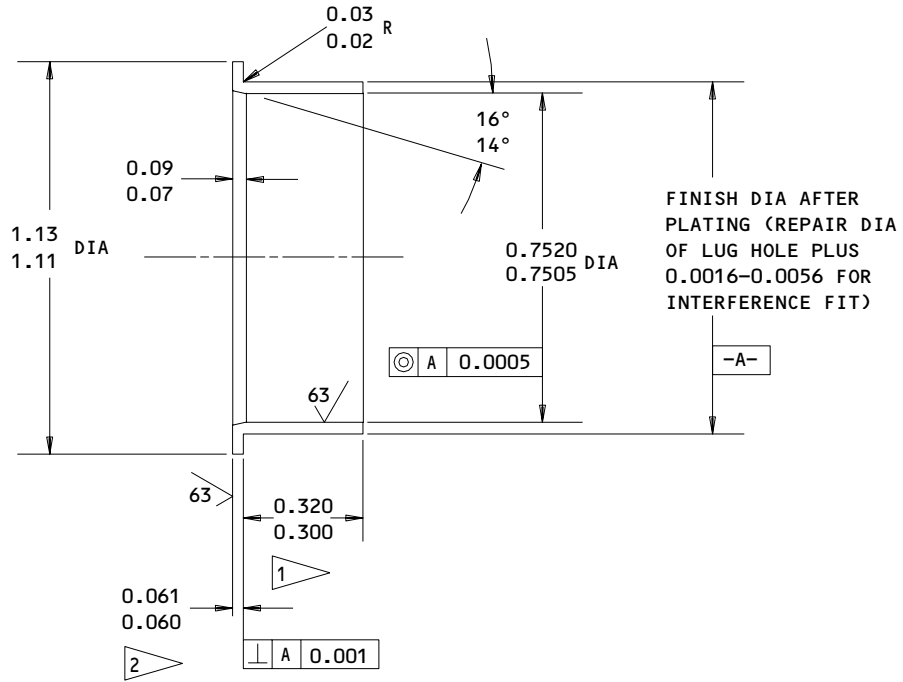
- D = MAX REPAIR DIA OF HOLE (SEE FIG. 601)
  - D1 = MAX REPAIR DIA OF GROOVE = (D +0.040)
  - L = LENGTH OF BUSHING (SEE FIG. 603)
  - U = UNDERCUT = (L X 0.1) (0.06 MAX)
  - W = LUG DIM TO EDGE OF GROOVE = (L-U)
- ALL DIMENSIONS ARE IN INCHES

Lug Hole Diameter - Corrosion Removal from Area Between Bushings  
 Figure 602

**32-11-20**

REPAIR 12-2  
 Page 604  
 Oct 10/86

01



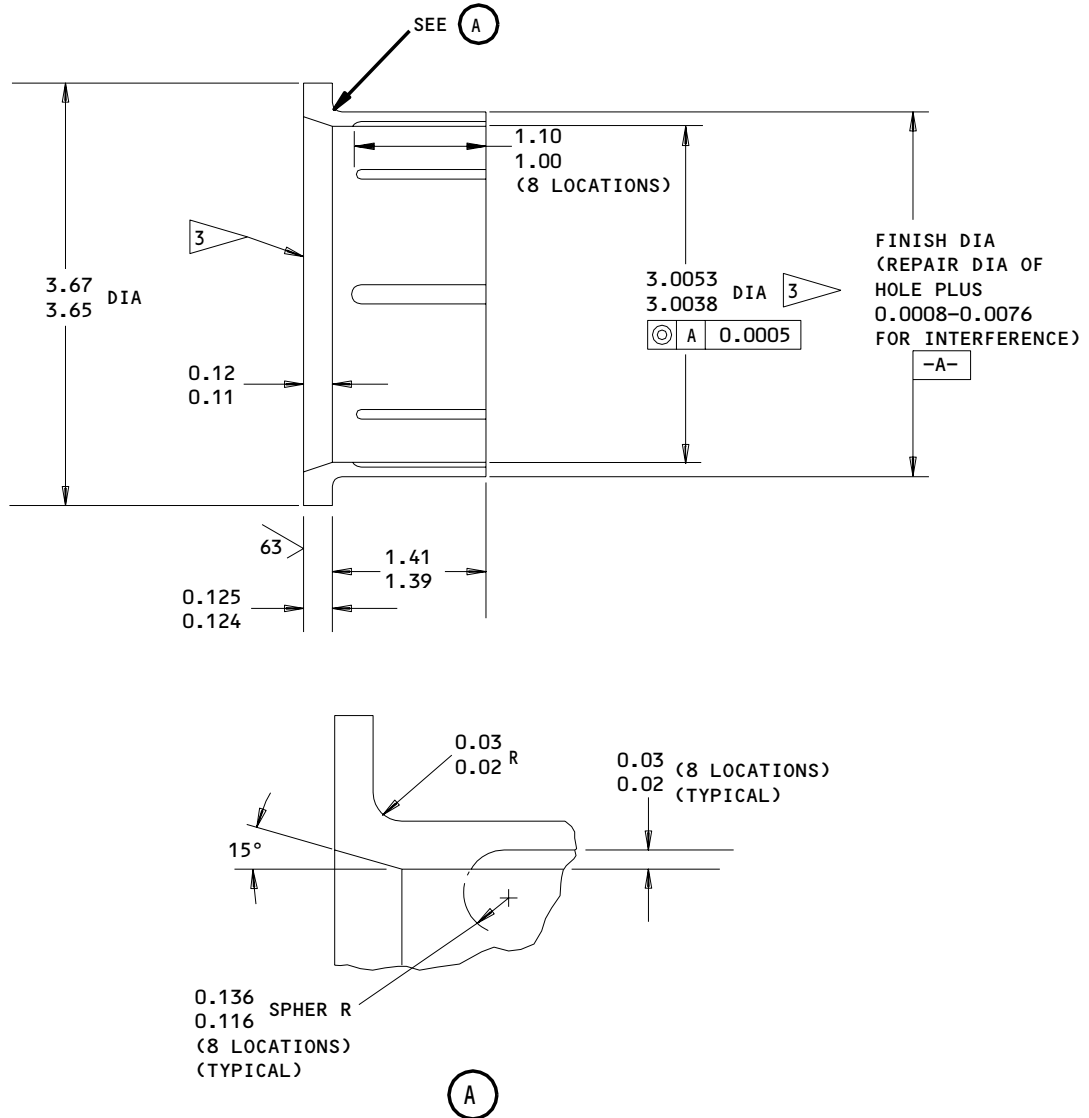
HOLE LOCATION (1) FIG. 601 - REPLACES BUSHING (341) 161T6038-1

- 1 MINUS AMOUNT REMOVED FROM LUG FACE
- 2 PLUS AMOUNT REMOVED FROM LUG FACE

125 ALL MACHINED SURFACES EXCEPT AS NOTED  
 BREAK SHARP EDGES 0.01-0.02 R  
 NO FINISH  
 MATERIAL: OILITE SINTERED BRONZE, MIL-B-5687  
 TYPE 1 COMP A OR B

Oversize Bushing Details  
Figure 603

**32-11-20**  
REPAIR 12-2  
Page 605  
Oct 10/86



HOLE LOCATION (5) FIG. 601 - REPLACES BUSHING (344) 161T6044-1

- 1 MINUS AMOUNT REMOVED FROM LUG FACE
- 2 PLUS AMOUNT REMOVED FROM LUG FACE
- 3 DO NOT PLATE

125/ ALL MACHINED SURFACES UNLESS SHOWN DIFFERENTLY

BREAK SHARP EDGES 0.01-0.02 R

CADMIUM PLATE (0.0003-0.0005 THICK, F-15.06) ALL OVER, UNLESS SHOWN DIFFERENTLY

MATERIAL: AL-NI-BRZ AS SHOWN IN AMS 4640 OR 4880

ALL DIMENSIONS APPLY BEFORE PLATING

ALL DIMENSIONS ARE IN INCHES

Oversize Bushing Details  
 Figure 604

**32-11-20**

REPAIR 12-2

Page 606

Jul 01/01

01.1

SPINDLE - REPAIR 12-3

161T6005-2, -4

NOTE: Refer to REPAIR-GEN for list of applicable standard practices. For repair of surfaces which may require only restoration of original finish, refer to Refinish instructions, Fig. 601.

|1. Shank - Diameters E, H (Fig. 601)

- A. Machine as required, within repair limits, to remove defects.
- B. Shot peen, chrome plate, and grind to design dimensions and finish. Chrome plate shall not exceed 0.010 after grinding.

|2. Head Face (Fig. 601)

- A. Machine as required, within repair limits, to remove defects. Blend into shank-to-head radius.
- B. Shot peen, chrome plate, and grind to restore grip length. Do not chrome plate shank-to-head radius.

NOTE: As an option, chrome plate buildup may be omitted and shoulder face at thread end machined accordingly to restore grip length.

|3. Relief Grooves (Fig. 601)

- A. Machine as required, within repair limits, to remove defects. If necessary to adjust grip length, machine should at thread relief.
- B. Shot peen, apply cadmium-titanium plate and refinish.

|4. Pin Retention Holes (Fig. 601)

- A. Machine as required, within repair limits, to remove defects.
- B. Cadmium-titanium plate. Apply primer.

**32-11-20**

REPAIR 12-3

01.1

Page 601

Sep 01/94

5. Threads (Fig. 601)

- A. Cut threads to a smaller size, as shown.
- B. Cadmium-titanium plate the threads. Apply primer per 32-00-02.
- C. Make an undersize nut (Fig. 602).
- D. Be sure to identify the spindle and the nut as matched parts. We recommended that you vibro-engrave MATCHED SET - DO NOT SEPARATE on the spindle and the nut, and paint these parts with yellow BMS 10-60 enamel.

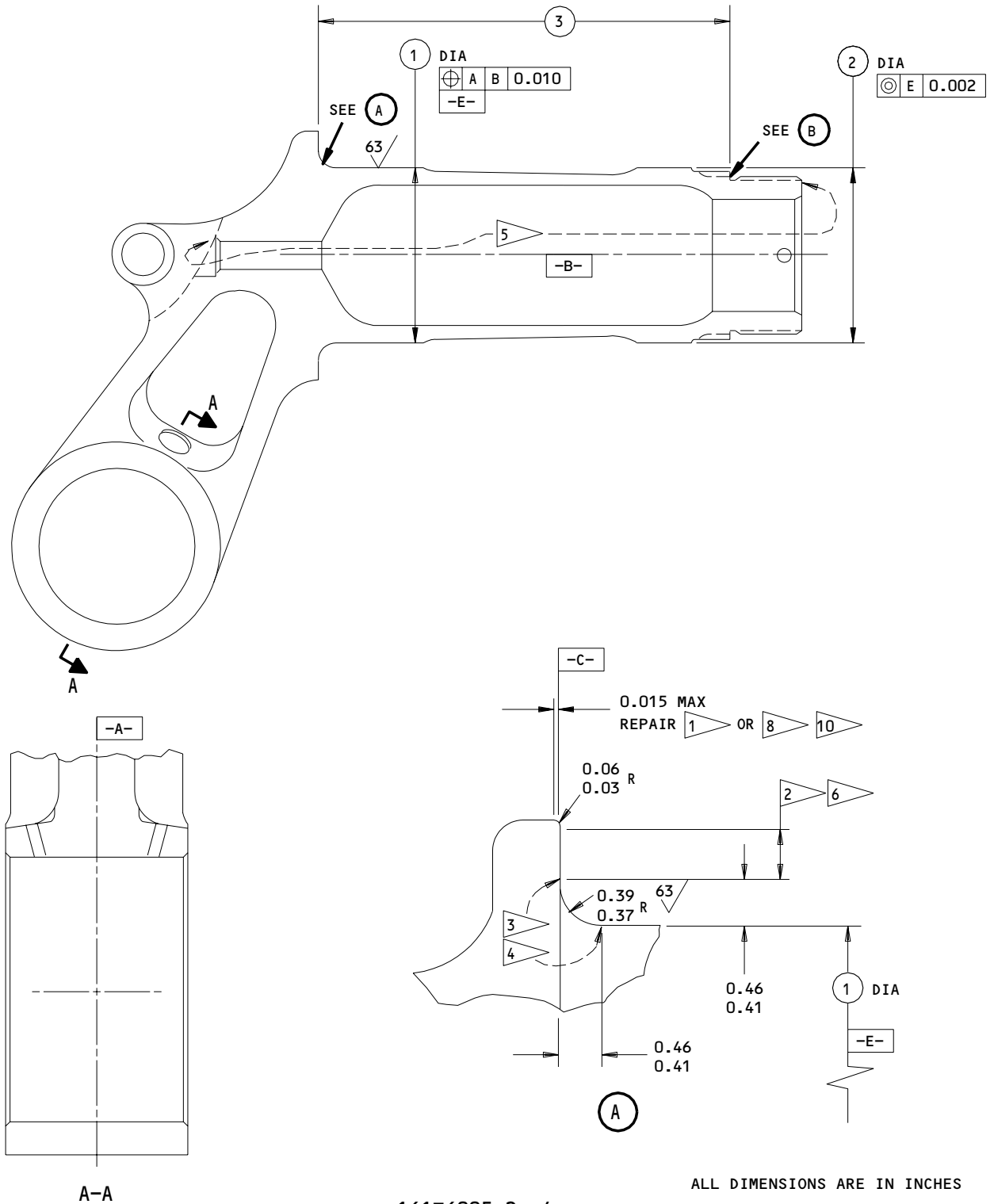
**32-11-20**

REPAIR 12-3

01.1

Page 602

Sep 01/94



161T6005-2,-4

Spindle Repair and Refinish  
Figure 601 (Sheet 1)

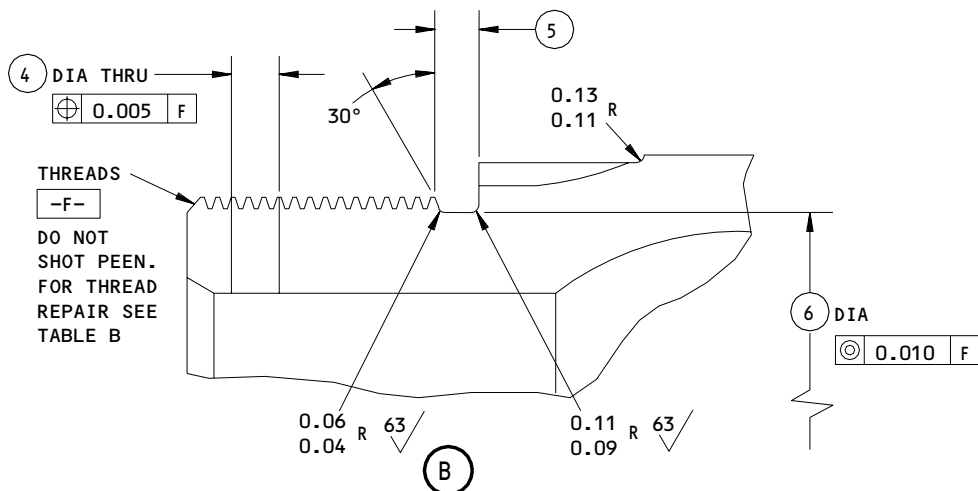
**32-11-20**

REPAIR 12-3

01.101

Page 603

Sep 01/94



REFERENCE NUMBER	1	2	3	4	5	6
DESIGN DIMENSION	3.999 3.997	3.874 3.872	9.26 9.24	0.270 0.264	0.23 0.21	3.38 3.37
REPAIR LIMIT	3.977 7	3.852 7	--	0.290 8	0.24 9	SEE TABLE B

TABLE A

UNJ-3A THREAD SIZE	3.500-12 (DESIGN)	3.375-12 (1/8 UNDERSIZE)
MAJOR DIA	3.4729 3.4629	3.3479 3.3379
PITCH DIA	3.4459 3.4411	3.3209 3.3161
MINOR DIA	3.4038 3.3940	3.2788 3.2690
ROOT RADIUS	0.0150 0.0125	0.0150 0.0125
THREAD RELIEF DESIGN DIA	3.38 3.37	3.255 3.245
THREAD RELIEF REPAIR LIMIT	3.35 8	--

TABLE B

161T6005-2,-4

Spindle Repair and Refinish  
 Figure 601 (Sheet 2)

**32-11-20**

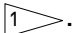
REPAIR 12-3

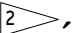
Page 604

Sep 01/97

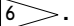
01.1


REFINISH


CHROME PLATE DIA -E-, -H- AS SHOWN IN .

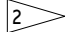
CHROME PLATE AREA NOTED , WITH A 0.08 MAXIMUM PLATING RUNOUT.


CADMIUM-TITANIUM PLATE (F-15.01) ALL OTHER AREAS, 0.0005 MINIMUM THICK, BUT 0.0005-0.0010 IN HOLES. APPLY BMS 10-11, TYPE 1 PRIMER (F-20.02) UNLESS SHOWN DIFFERENTLY.

AFTER INSTALLATION OF BUSHINGS AND LUBE FITTINGS, APPLY BMS 10-60 ENAMEL (F-14.9813, WHICH REPLACES SRF-14.9813) BUT NOT ON BUSHING BORES AND FACES, LUBE FITTING, CHROME PLATED AREAS, OR AS SHOWN BY .

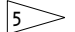
WIPE WITH PRIMER (F-19.45) THE CHROME PLATED AND THREADED AREAS, AND AS SHOWN BY .

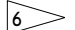
 CHROME PLATE (F-15.34), 0.003 MIN THICK

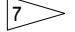
 FLASH CHROME PLATE (F-15.03) 0.0003-0.0005 THICK AND WIPE THE PLATING WITH PRIMER (F-19.45)

 CADMIUM TITANIUM PLATE (F-15.01) AND WIPE THE PLATING WITH PRIMER (F-19.45)


 NO CHROME PLATE



 AFTER CADMIUM-TITANIUM PLATING AND PRIMER, APPLY CORROSION PREVENTIVE COMPOUND MIL-C-11796 (F-19.03) ON INTERNAL BORE

 NO ENAMEL

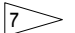
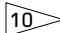
 LIMIT FOR CHROME PLATE BUILDUP AND GRIND TO DESIGN DIMENSIONS AND FINISH. PUT A 0.08 MAXIMUM PLATING RUNOUT AT EDGES, HOLES, AND RELIEFS UNLESS SHOWN DIFFERENTLY


 RESTORATION TO DESIGN DIM IS NOT REQUIRED

 LIMIT FOR RESTORING GRIP LENGTH WHEN HEAD FACE IS MACHINED BUT NOT RESTORED TO DESIGN DIMENSION BY CHROME PLATE BUILDUP. (RESTORATION OF GROOVE WIDTH TO DESIGN DIMENSION IS NOT REQUIRED)

 RESTORE GRIP LENGTH BY MACHINING FACE AT THREAD RELIEF PER .

REPAIR

REF  THRU 

125/  ALL MACHINED SURFACES UNLESS SHOWN DIFFERENTLY

SHOT PEEN: RC 55-65 SHOT HEAT TREAT  
0.016-0.033 SHOT SIZE  
0.014-0.018 A2 INTENSITY

MATERIAL: 4340M STEEL, 275-300 KSI

ALL DIMENSIONS ARE IN INCHES

161T6005-2,-4

Spindle Repair and Refinish  
Figure 601 (Sheet 3)

**32-11-20**

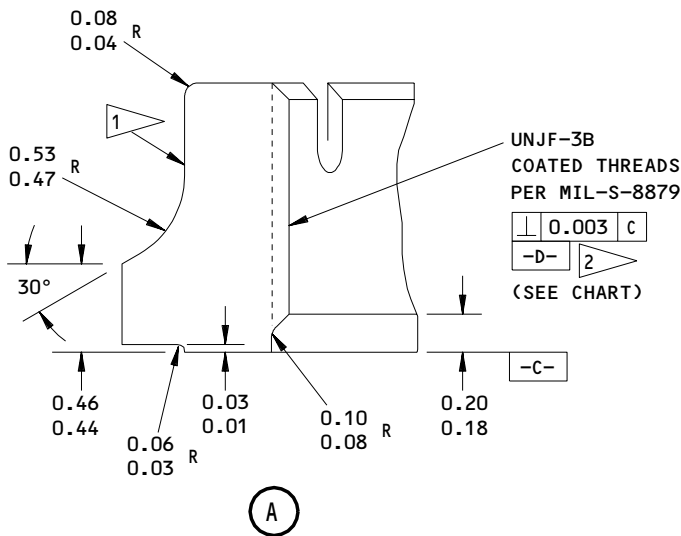
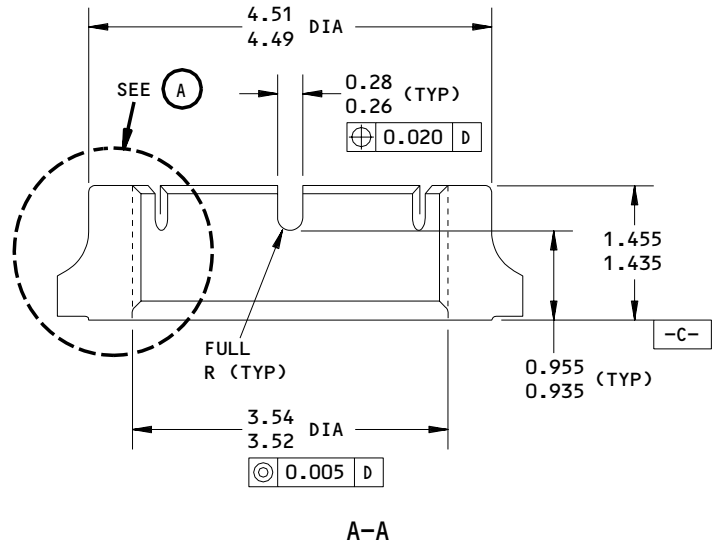
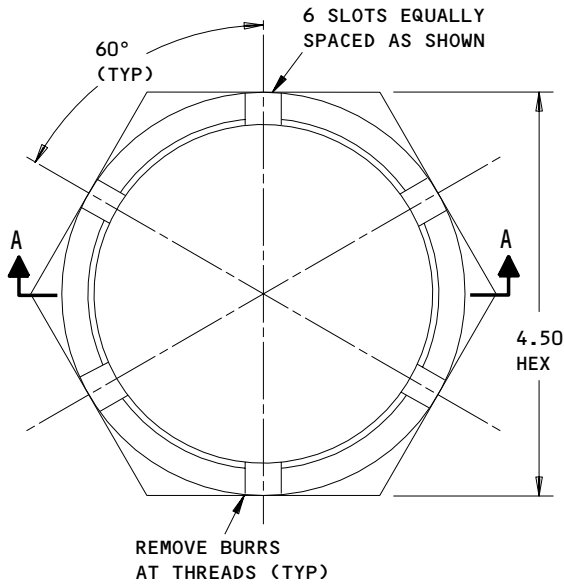
REPAIR 12-3

01.1

Page 605

Nov 01/04





UNJF-3B THREAD SIZE	3.500-12 (DESIGN) (REF)	3.375-12 (1/8 UNDERSIZE)
MAJOR DIA	3.5008 3.4880	3.3758 3.3630
PITCH DIA	3.4537 3.4459	3.3287 3.3209
MINOR DIA	3.4288 3.4188	3.3038 3.2938

**REFINISH**

CADMIUM-TITANIUM PLATE (F-15.01). APPLY PRIMER AND ENAMEL PER CMM 32-00-02. USE YELLOW ENAMEL ON NUTS WITH UNDERSIZE THREADS.

- 1 ON NUTS WITH UNDERSIZE THREADS, VIBRO-ENGRAVE "MATCHED SET - DO NOT SEPARATE" IN THIS LOCATION.
- 2 DO NOT SHOT PEEN.

**REPAIR**

125/ ALL MACHINED SURFACES UNLESS SHOWN DIFFERENTLY

BREAK SHARP EDGES 0.02-0.03 R UNLESS SHOWN DIFFERENTLY

MAGNETIC PARTICLE EXAMINE, CLASS B (SOPM 20-20-01)

SHOT PEEN (SOPM 20-10-03:  
 Rc 55-65 SHOT HEAT TREAT  
 0.016-0.033 SHOT SIZE  
 0.014-0.018 A2 INTENSITY

MATERIAL: 4340M STEEL, 275-300 KSI

ALL DIMENSIONS ARE IN INCHES

REPLACES 161T6019-1  
 Undersize Nut Details  
 Figure 602

**32-11-20**

REPAIR 12-3

01.1

Page 606

Jul 01/00

HOSE CLAMP SADDLE ASSEMBLY – REPAIR 13-1

272T6129-1, -3

NOTE: Refer to REPAIR-GEN for list of applicable standard practices, and to IPL Fig. 2 for item numbers. For repair of surfaces which may require only restoration of original finish, refer to Refinish instructions, Fig. 601.

1. Bushing Replacement (Fig. 601)

- A. Remove bushings.
- B. Install new bushings using shrink-fit method, with BMS 5-95 sealant.
- C. Check dimensions and machine as necessary to dimensions and finish shown.
- D. Seal bushings as noted on repair figure.

2. Lug Holes (Fig. 601)

- A. Installation of Oversize Bushings
  - (1) Machine as required, within repair limits, to remove defects.
  - (2) Shot peen, alodize and apply primer, BMS 10-11 type 1.
  - (3) Manufacture bushings (Fig. 602), as required, to compensate for amount of material removed in step (1).
  - (4) Install bushings per par. 1.

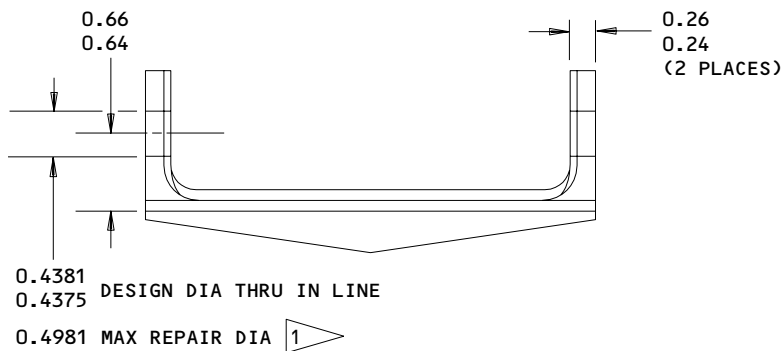
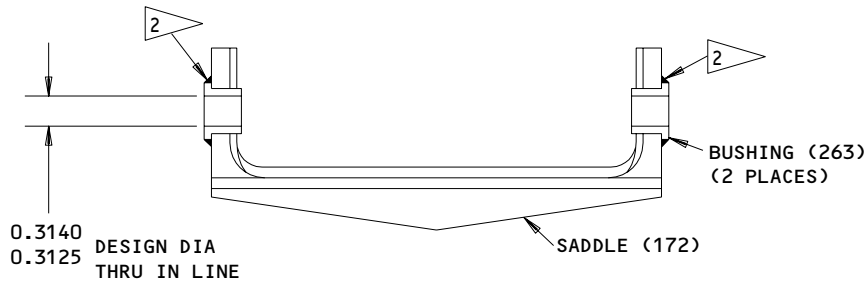
**32-11-20**

REPAIR 13-1

01.1

Page 601

Apr 01/93



**REFINISH**

CHROMIC ACID ANODIZE (F-17.04) ALL OVER AFTER  
 INSTL OF BUSHINGS, APPLY PRIMER, BMS 10-11,  
 TYPE 1 (F-20.02) AND ENAMEL, BMS 10-60 (SRF-  
 14.9813) EXCEPT IN HOLES AND BUSHING FLANGES

- 1 LIMIT FOR INSTL OF OVERSIZE BUSHINGS
- 2 FILLET SEAL FLANGE WITH SEALANT BMS 5-95

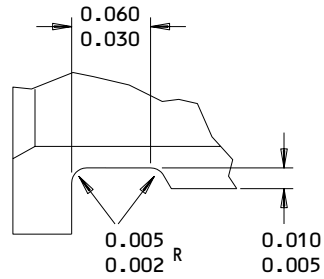
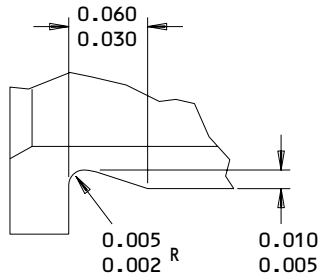
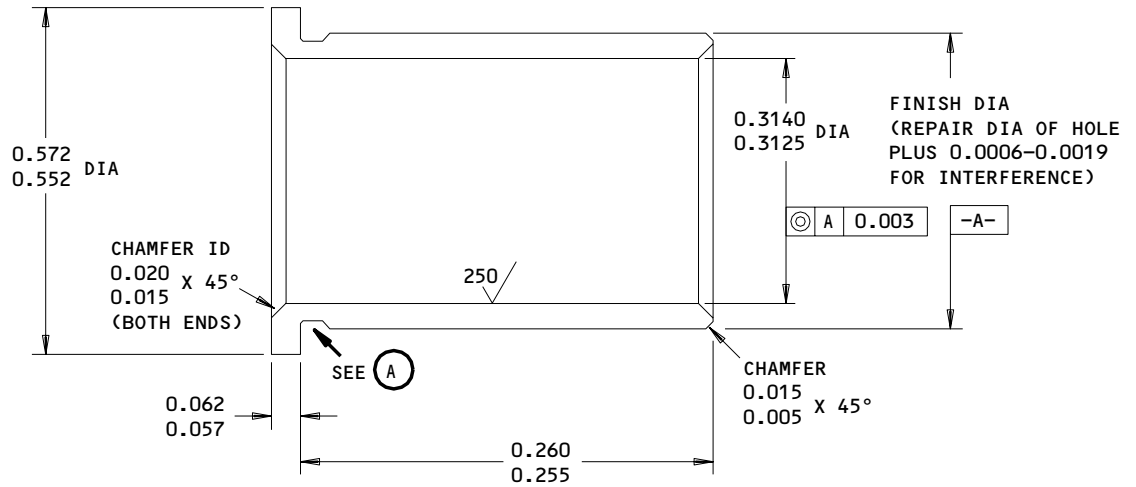
**REPAIR**

REF 1  
 125 MACHINE FINISH

SHOT PEEN:  
 0.023-0.055 SHOT SIZE  
 0.012 A2 INTENSITY

MATERIAL: AL ALLOY  
 ALL DIMENSIONS ARE IN INCHES  
 ITEM NUMBERS REFER TO IPL FIG. 2

272T6129-1,-3  
 Saddle Repair and Refinish  
 Figure 601



(A)

63/ MACHINED SURFACES EXCEPT AS NOTED

BREAK SHARP EDGES

CADMIUM PLATE (F-15.06) ALL OVER EXCEPT IN BORE

MATERIAL: AL-NI-BRZ PER AMS 4640 OR 4880

ALL DIMENSIONS ARE IN INCHES

REPLACES BUSHING (263) BACB28X5M026

Oversize Bushing Details  
Figure 602

**32-11-20**

REPAIR 13-1

01

Page 603

Oct 10/86

PIN, TRUCK POSITIONER ATTACH - REPAIR 14-1

273T6131-1

NOTE: Refer to REPAIR-GEN for list of applicable standard practices. For repair of surfaces which may require only restoration of original finish, refer to Refinish instructions, Fig. 601.

1. Shank Repair - Diameter A (Fig. 601)

- A. Machine as required, within repair limits, to remove defects.
- B. Shot peen, chrome plate, and grind to design dimensions and finish. Chrome plate shall not exceed 0.010 inch after grinding.

2. Head Face Repair

- A. Machine as required, within repair limits, to remove defects. Blend into relief groove if necessary.
- B. Shot peen, chrome plate, and grind to restore grip length. Do not chrome plate relief groove.

3. Relief Grooves

- A. Machine as required, within repair limits, to remove defects.
- B. Shot peen and apply cadmium-titanium plate followed by primer.

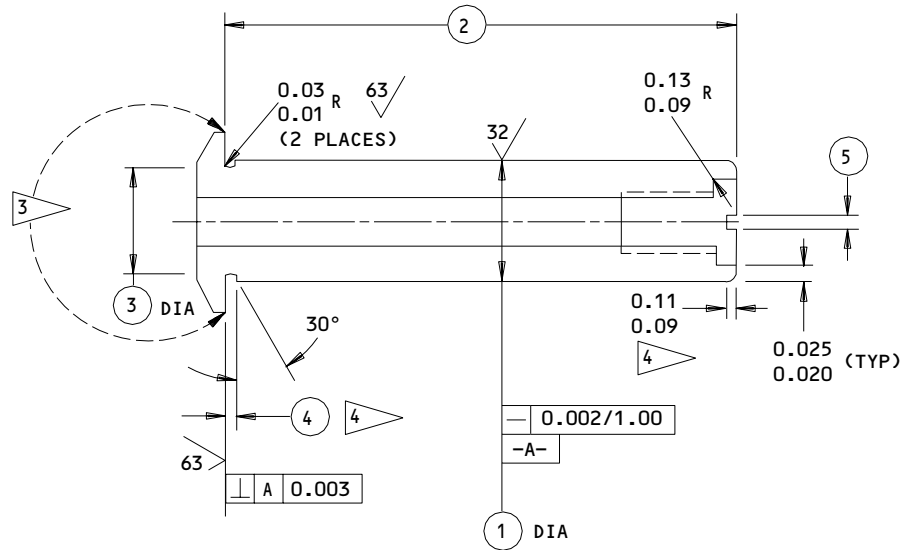
**32-11-20**

REPAIR 14-1

01

Page 601

Oct 10/86



	①	②	③	④	⑤
<b>DESIGN DIM</b>	0.999 0.998	4.52 4.49	0.96 0.95	0.11 0.09	0.13 0.11
<b>REPAIR LIMIT</b>	0.978 ①	---	0.93 ②	0.13 ②	0.15 ②

**REFINISH**

CHROME PLATE (F-15.03) DIA -A-, 0.0015 MIN THICK. OBSERVE CHROME PLATE RUNOUT AS NOTED BY ④

PASSIVATE (F-17.09) ALL OVER

APPLY PRIMER & ENAMEL PER ③ AFTER PASSIVATING

① LIMIT FOR CHROME PLATE BUILDUP & GRINDING TO DESIGN DIM & FINISH. OBSERVE PLATING RUNOUT AS NOTED

② RESTORATION TO DESIGN DIM NOT REQUIRED

③ APPLY PRIMER, BMS 10-11, TYPE 1 (F-20.02) FOLLOWED BY ENAMEL, BMS 10-60, COLOR 707 (SRF-14.9813)

④ CHROME PLATE RUNOUT IN THIS AREA

**REPAIR**

REF ① ②

125/ MACHINE FINISH EXCEPT AS NOTED

SHOT PEEN: 0.017-0.046 SHOT SIZE  
 0.016 A2 INTENSITY

MATERIAL: 15-5PH CRES, 150-170 KSI

ALL DIMENSIONS ARE IN INCHES

273T6131-1  
 Pin Repair and Refinish  
 Figure 601

**32-11-20**

REPAIR 14-1

Page 602

Oct 10/86

01

HOSE SUPPORT ASSEMBLY, TRUCK POSITIONER - REPAIR 15-1

273T6134-1

NOTE: Refer to REPAIR-GEN for list of applicable standard practices. Refer to IPL Fig. 2 for item numbers.

1. Bushing Replacement (Fig. 601)

- A. Remove bushings.
- B. Install new bushings using shrink-fit method, with BMS 3-24 grease applied to faying surfaces.
- C. Check dimensions and machine as necessary to dimensions and finish shown.
- D. Seal bushing flanges with sealant, BMS 5-95.
- E. Apply grease at all lube fittings until grease appears at ID of bushings, to ensure lube passages are clear.

2. Lube Fitting Replacement

- A. Replace lube fitting (844) per 32-00-03.

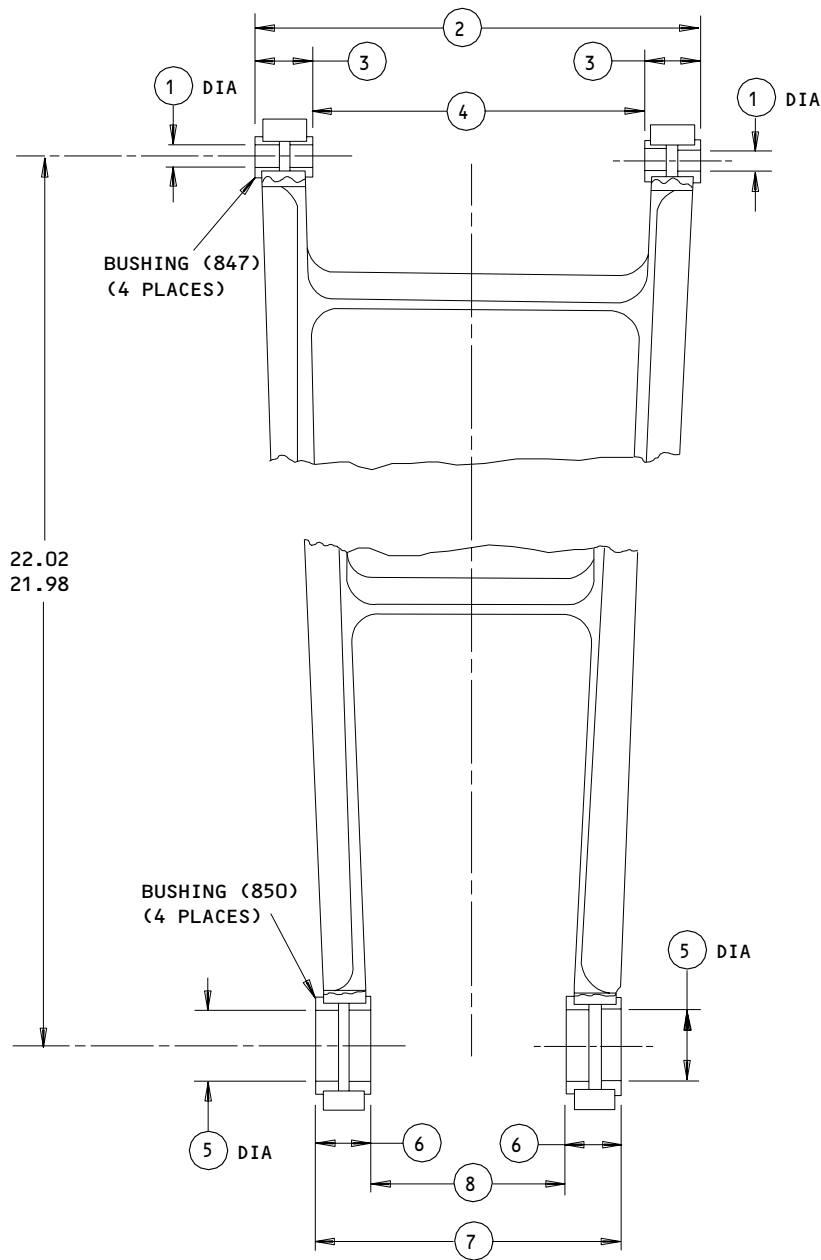
**32-11-20**

REPAIR 15-1

01

Page 601

Oct 10/86



	①	②	③	④	⑤	⑥	⑦	⑧
DESIGN	0.3140	6.254	0.734	4.796	1.0015	0.729	4.274	2.846
DIM	0.3125	6.184	0.704	4.766	1.0000	0.699	4.244	2.816

273T6134-1  
 Bushing Replacement  
 Figure 601

**32-11-20**

REPAIR 15-1

Page 602

Oct 10/86

01



HOSE SUPPORT – REPAIR 15-2

273T6134-2

NOTE: Refer to REPAIR-GEN for a list of applicable standard practices, and to IPL Fig. 2 for item numbers. For repair of surfaces which is only replacement of the original finish, refer to Refinish instructions, Fig. 601.

1. Lug Faces and Holes (Fig. 601)

A. Method 1 -- Removal of Corrosion in Center of Lug ID

NOTE: This procedure lets you remove corrosion without machining the entire bore oversize, if corrosion is only at the center area which is open between two bushings.

- (1) Find the repair diameter and width of groove necessary to remove corrosion (Fig. 602).
- (2) Machine the center area as necessary.
- (3) Chemical treat and apply primer, BMS 10-11 type 1.
- (4) Install replacement bushings per REPAIR 15-1.
- (5) Completely fill the cavity under and between the bushings with BMS 3-33 or MIL-G-23827 grease.

B. Method 2 -- Installation of Oversize Bushings

- (1) Machine as necessary, within repair limits, to remove defects.
- (2) Shot peen, chemical treat and apply primer, BMS 10-11 type 1.
- (3) Make bushings (Fig. 603), as necessary, to adjust for the amount of material removed in step (1).
- (4) Install the bushings per REPAIR 15-1.

2. Legs (Fig. 601)

NOTE: Only one of the two flanged areas, forward or aft, can be repaired on each of the two legs, inboard or outboard, of a support.

- A. Blend out defects smoothly as necessary, within the area shown. Blend out this area with the adjacent surfaces in a 10:1 ratio.
- B. Penetrant examine the machined surfaces per SOPM 20-20-02.
- C. Shot peen as indicated.

**32-11-20**

REPAIR 15-2

01.1

Page 601

Jul 01/04

| D. Chemical treat the area; apply primer and enamel as indicated.

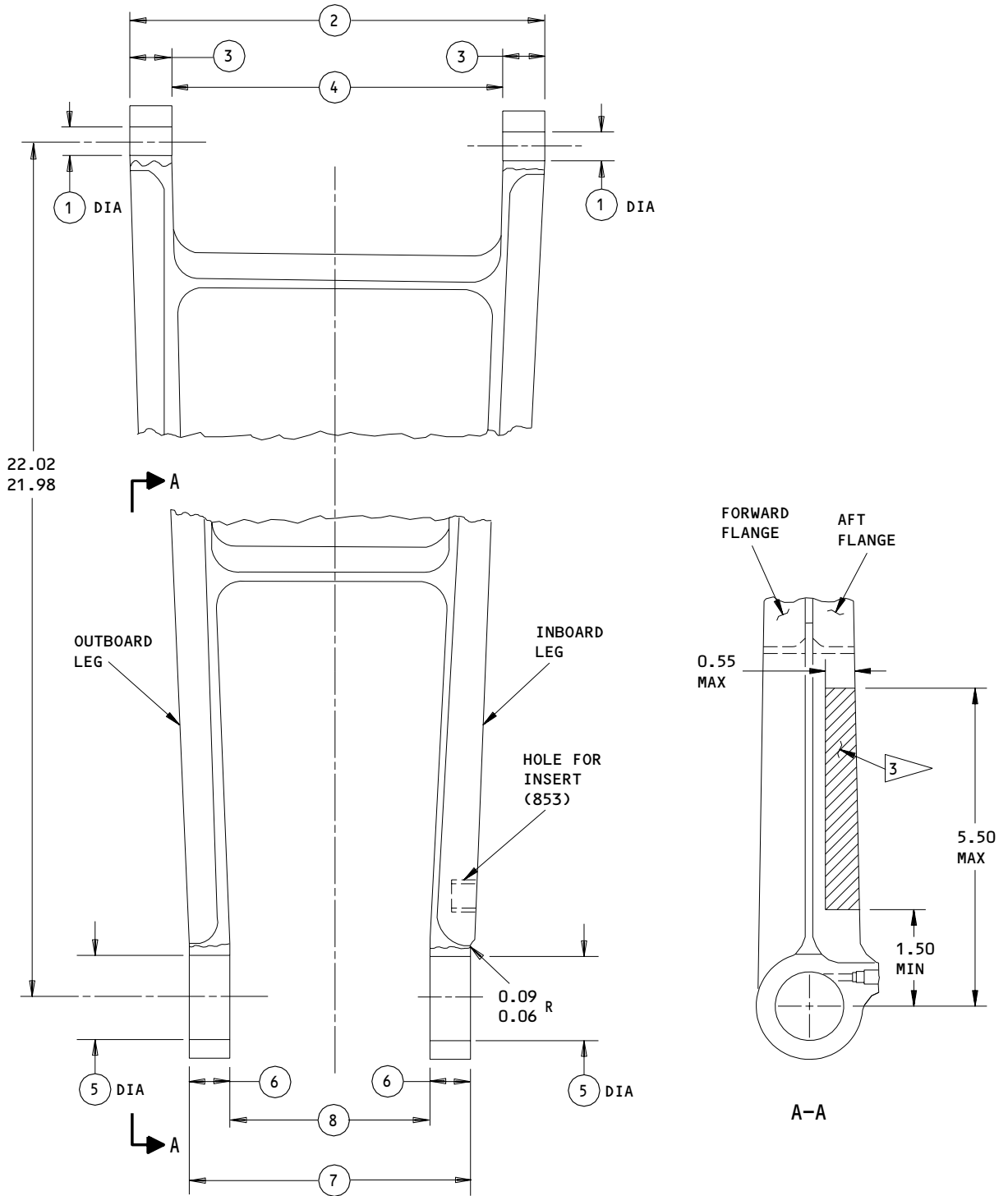
**32-11-20**

REPAIR 15-2

01.1

Page 602

Nov 01/98



273T6134-2

Support Repair and Refinish  
Figure 601 (Sheet 1)

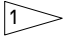
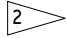
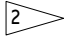
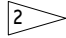
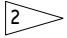
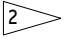
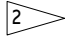
**32-11-20**

REPAIR 15-2

Page 603

Nov 01/98

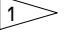

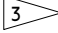
01.1


	①	②	③	④	⑤	⑥	⑦	⑧
<b>DESIGN DIM</b>	0.4381 0.4375	6.13 6.07	0.61 0.59	4.91 4.89	1.1882 1.1875	0.605 0.585	4.15 4.13	2.96 2.94
<b>REPAIR LIMIT</b> 	0.4981	6.04 	0.56 	4.94 	1.2482	0.555 	4.10 	2.99 

**REFINISH**

ANODIZE (F-17.05) ALL OVER. APPLY PRIMER, BMS 10-11, TYPE 1 (F-20.02) AND ENAMEL, BMS 10-60, COLOR 707 (SRF-14.9813), EXCEPT IN HOLES, ON THREADS, OR LUG FACES UNDER BUSHING FLANGES

**REPAIR**

REF   

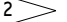
125  ALL MACHINED SURFACES UNLESS SHOWN DIFFERENTLY

SHOT PEEN:  
 0.017-0.023 SHOT SIZE  
 0.016 A2 INTENSITY

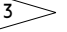
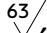
MATERIAL: AL ALLOY

ALL DIMENSIONS ARE IN INCHES

 LIMIT FOR INSTALLATION OF OVERSIZE BUSHINGS

 LUG FACE MACHINING REQUIREMENTS:

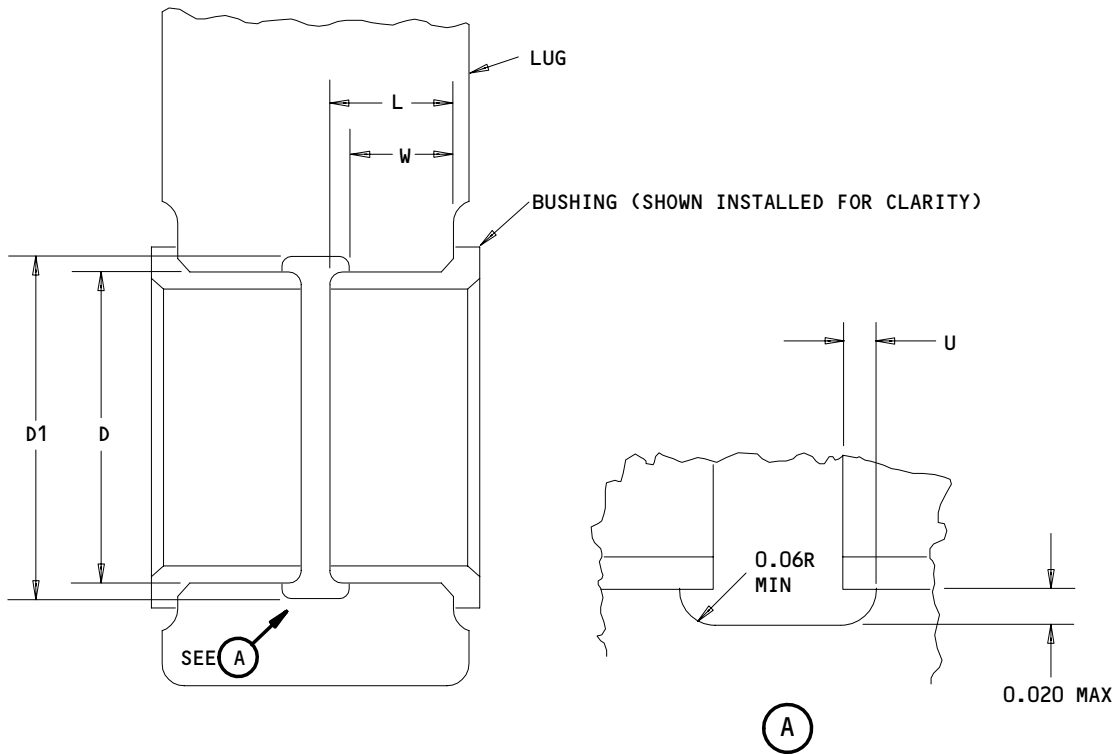
1. MATERIAL REMOVED FROM ANY FACE MUST NOT EXCEED HALF THE DIFFERENCE BETWEEN THE DESIGN DIMENSION
2. FLAT SURFACE MUST BE MINIMUM OF 0.02 LARGER THAN FLANGE DIAMETER OF BUSHING TO BE INSTALLED
3. BLEND MISMATCH STEPS TO 0.18-0.26 RADIUS, OR IF WITHIN 0.10 OF LUG FILLET RADIUS, USE SAME RADIUS AS LUG FILLET. BREAK SHARP EDGES 0.03-0.07 R

 BLEND OUT DEFECTS WITHIN THIS AREA  ON ONLY ONE FLANGE (FORWARD OR AFT) ON EACH LEG (OUTBOARD OR INBOARD) OF A SUPPORT

273T6134-2  
 Support Repair and Refinish  
 Figure 601 (Sheet 2)

**32-11-20**  
 REPAIR 15-2  
 Page 604  
 Nov 01/98

01.1



$D$  = MAX REPAIR DIA OF HOLE (SEE FIG. 601)

$D1$  = MAX REPAIR DIA OF GROOVE =  $(D + 0.040)$

$L$  = LENGTH OF BUSHING (SEE FIG. 603)

$U$  = UNDERCUT =  $(L \times 0.1)$  (0.06 MAX)

$W$  = LUG DIM TO EDGE OF GROOVE =  $(L - U)$

ALL DIMENSIONS ARE IN INCHES

Lug Hole Diameter - Corrosion Removal from Area Between Bushings  
Figure 602

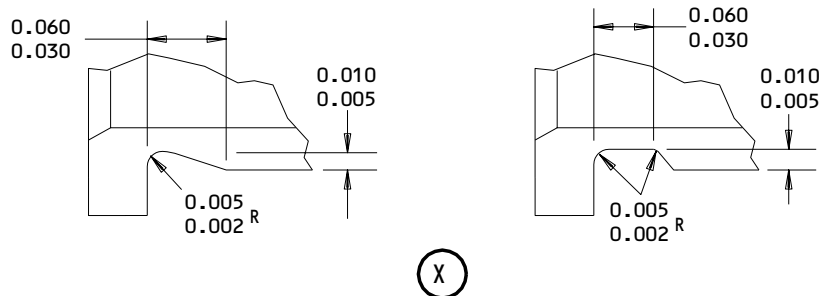
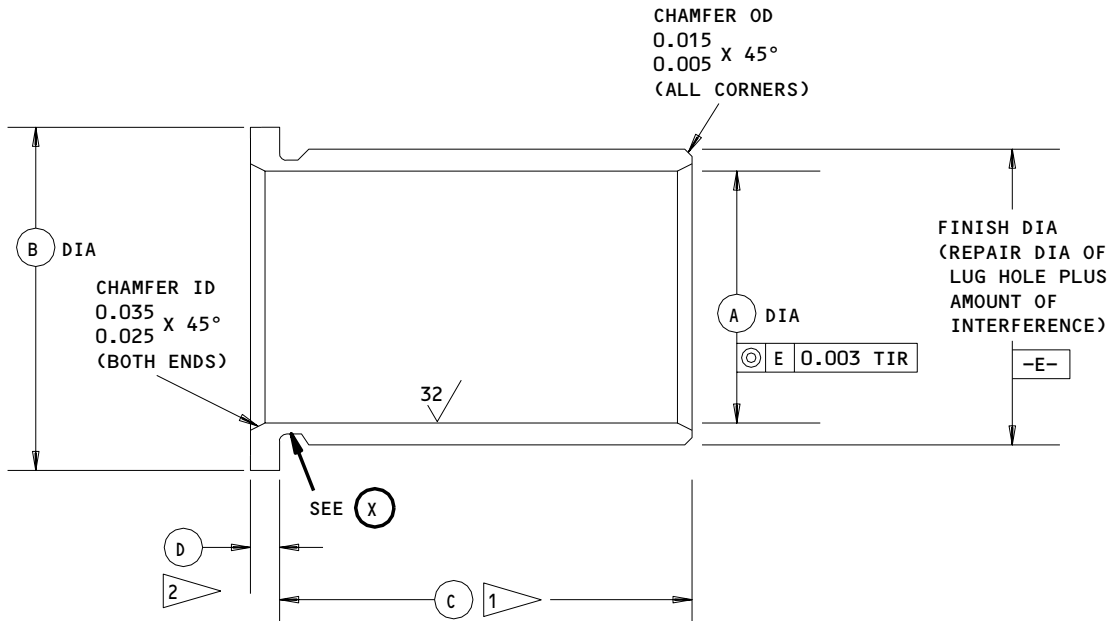
**32-11-20**

REPAIR 15-2

01.101

Page 605

Nov 01/98



LOCATION (FIG. 601)	REPLACES BUSHING	A	B	C	D	INTERFERENCE
1	(847) BACB28X5M026	0.3140 0.3125	0.572 0.552	0.260 0.255	0.062 0.057	0.0019 0.0004
5	(850) BACB28X16M026	1.0015 1.0000	1.385 1.365	0.260 0.255	0.062 0.057	0.0031 0.0010

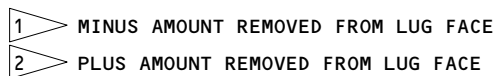
63/ MACHINED SURFACES EXCEPT AS NOTED

BREAK SHARP EDGES 0.010-0.020 R

CADMIUM PLATE (F-15.06) EXCEPT IN BORE

MATERIAL: AL-NI-BRZ PER AMS 4640 OR 4880

ALL DIMENSIONS ARE IN INCHES



Oversize Bushing Details  
 Figure 603

**32-11-20**

REPAIR 15-2

01.101

Page 606

Nov 01/98

MISCELLANEOUS PARTS REFINISH – REPAIR 19-1

1. Repair of these parts is only replacement of the original finish. Refer to REPAIR-GENERAL for a list of applicable standard practices.

IPL FIG. & ITEM	MATERIAL	FINISH
<u>Fig. 17 or 18</u>		
Nut (15), Washer (16)	15-5PH CRES 180-200 ksi	Passivate (F-17.25, which replaces F-17.09).
Nuts (302, 332)	4340M Steel, 275-300 ksi	Cadmium-titanium plate (F-15.01) all over. Apply primer and enamel per CMM 32-00-02.
Washer (305)	4340 Steel, 180-200 ksi	Cadmium plate (F-15.02), but chrome plate (F-15.03) on the face of largest end.
Washer (335)	4340 Steel, 180-200 ksi	Chrome plate (F-15.34) the faces, 0.0015-0.0020 inch thick. Do not grind. Cadmium plate and apply primer (F-16.01) on other surfaces. Apply the primer and enamel per CMM 32-00-02.
Washer (362)	4330M or 4340 Steel 180-200 ksi	Cadmium plate and apply primer, BMS 10-11, Type 1 (F-16.01). Apply enamel, BMS 10-60 (F-14.9813, which replaces SRF-14.9813) on OD only.
Hubcap assy (373)	--	Apply enamel, BMS 10-60 (F-14.9813, which replaces SRF-14.9813) but not in radius and groove inside outer edge.

Refinish Details  
Figure 601 (Sheet 1)

**32-11-20**

REPAIR 19-1

01.1

Page 601

Nov 01/05

IPL FIG. & ITEM	MATERIAL	FINISH
<u>Fig. 17 or 18</u> (Cont)		
Hubcap (382)	Al alloy	Chromic acid anodize and apply primer, BMS 10-11, Type 1 (F-18.13).
Support (431)	Al alloy	Chromic acid anodize and apply primer, BMS 10-11, Type 1 (F-18.13), but no primer on threads. Apply dry film lube (F-19.81) on threads.
Nut (434)	Al alloy	Chromic acid anodize and apply primer, BMS 10-11, Type 1 (F-18.13).
Washers (443,474)	15-5PH, 180-200 ksi	Passivate (F-17.25, which replaces F-17.09).
Washers (478E,478F)	Al-Ni-Bronze per AMS 4640 or 4880	Cadmium plate (F-15.06)
<u>Fig. 2</u>		
Washer (832)	15-5PH, 150-170 ksi	Passivate (F-17.25, which replaces F-17.09). Apply primer, BMS 10-11, Type 1 (F-20.02) and enamel, BMS 10-60 (F-14.9813, which replaces SRF-14.9813), but no enamel on the face with the lugs.

Refinish Details  
Figure 601 (Sheet 2)

**32-11-20**

REPAIR 19-1

01.1

Page 602

Nov 01/05



IPL FIG. & ITEM	MATERIAL	FINISH
<u>Fig. 2</u> (Cont)		
Washer (838)	5-5PH, 150-170 ksi	Passivate (F-17.25, which replaces F-17.09).
Retainer (859)	Al alloy	Chromic acid anodize and apply primer, BMS 10-11, Type 1 (F-18.13) followed by enamel, BMS 10-60 (F-14.9813, which replaces SRF-14.9813).
<u>Fig. 3</u>		
Channel (219,246A, 285,311,311A,407) Angle (440) Bracket (590,593)	Al alloy	Chromic acid anodize and apply primer, BMS 10-11 Type 1 (F-18.13) and enamel BMS 10-60 (F-14.9813, which replaces (SRF-14.9813).
Channel (261,323, 392) Plate (273,338,567) Bracket (33,184, 185,187,188,383A, 599) Spacer (596)	Al alloy	Chemical treat and apply primer, BMS 10-11 Type 1 (F-18.06) and enamel BMS 10-60, (F-14.9813, which replaces SRF-14.9813).
Bracket (48,210, 442)	Al alloy	Chemical treat and apply primer, BMS 10-11, Type 1 (F-18.06).

Refinish Details  
Figure 601 (Sheet 3)

**32-11-20**

REPAIR 19-1

01.1

Page 603

Nov 01/05

IPL FIG. & ITEM	MATERIAL	FINISH
<u>Fig. 3</u> (Cont)		
Tube (475G,475V)	AISI 304	Passivate (F-17.25, which replaces F-17.09). Apply BMS 10-11, Type 1 primer and BMS 10-60 enamel (F-14.9813, which replaces SRF-14.9813).
Block (261,264)	Al alloy	Chromic acid anodize (F-17.04). Apply BMS 10-11, Type 1 primer (F-20.02) and BMS 10-60 (F-14.9813, which replaces SRF-14.9813).
<u>Fig. 4</u>		
Bracket (205,210, 215,220,405,410)	Al alloy	Chromic acid anodize and apply BMS 10-11 Type 1 primer (F-18.13) and BMS 10-60 enamel (F-14.9813, which replaces SRF-14.9813).
Target (535)	4130 Steel	Cadmium plate and apply BMS 10-11, Type 1 primer (F-16.01) and BMS 10-60 enamel (F-14.9813, which replaces SRF-14.9813).
Bracket (540,540A, 540B)	Al alloy	Chromic acid or sulfuric acid anodize (F-17.05). Apply BMS 10-11, type 1 primer (F-20.02) and BMS 10-60 enamel (F-14.9813, which replaces SRF-14.9813).

Refinish Details  
Figure 601 (Sheet 4)

**32-11-20**

REPAIR 19-1

01.1

Page 604

Nov 01/05

IPL FIG. & ITEM	MATERIAL	FINISH
<u>Fig. 7</u> Channel (40)	Al alloy	Chromic acid anodize and apply BMS 10-11 Type 1 primer (F-18.13).
<u>Fig. 8</u> Washer (250) Dog (255,255A) Retainer (110)	CRES	Passivate (F-17.25, which replaces F-17.09).
<u>Fig. 9</u> Nut (285) Ring (240-240A)	Al alloy	Chromic acid anodize and apply BMS 10-11, Type 1 primer (F-18.13).
Washer (160) Retainer (120)	Al alloy	Passivate (F-17.25, which replaces F-17.09).
Spacer (145)	CRES 15-5 PH	Cadmium plate (F-15.06).
Spacer (115)	CRES	Cadmium plate (F-15.25).
<u>Fig. 10</u> Washer (30,70) Dog (75,75A)	CRES	Passivate (F-17.25, which replaces F-17.09).

Refinish Details  
Figure 601 (Sheet 5)

**32-11-20**

REPAIR 19-1

01.1

Page 605

Nov 01/05

IPL FIG. & ITEM	MATERIAL	FINISH
<u>Fig. 20</u>		
Bracket (30)	4130 Steel	Cadmium plate (F-15.06). Apply BMS 10-11, Type 1 primer (F-20.02) and BMS 10-60 enamel (F-14.9813).
Bracket (35)	Al alloy	Chromic acid anodize (F-17.04). Apply BMS 10-11, Type 1 primer (F-20.02) and BMS 10-60 enamel (F-14.9813).
Target (50)	4130 Steel	Cadmium plate and apply BMS 10-11, Type 1 primer (F-16.01) and BMS 10-60 enamel (F-14.9813, which replaces SRF-14.9813).
Bracket (55)	Al alloy	Chromic acid or sulfuric acid anodize (F-17.05). Apply BMS 10-11, Type 1 primer (F-20.02) and BMS 10-60 enamel (F-14.9813, which replaces SRF-14.9813).

Refinish Details  
 Figure 601 (Sheet 6)

**32-11-20**

REPAIR 19-1

01.1

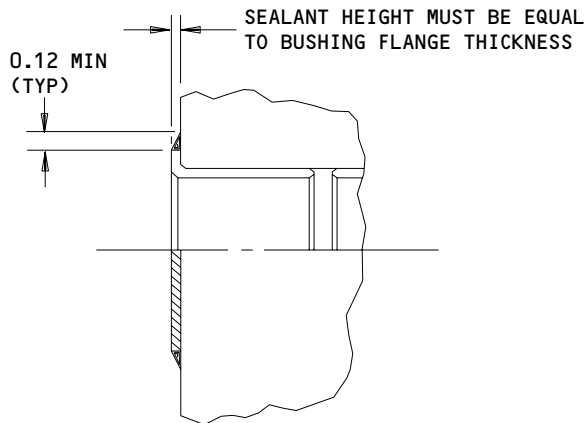
Page 606

Nov 01/05

BUSHING SEALING – REPAIR 20-1

**NOTE:** Refer to REPAIR – GENERAL for a list of applicable standard practices.

1. Apply all paint, and the final gray topcoat, before you apply the sealant.
2. Solvent clean the area to be sealed, and the adjacent area, per SOPM 20-30-03.
3. Apply a fillet of sealant as shown in the applicable figure, or per SOPM 20-50-19.
4. Apply BMS 10-60 gray gloss enamel (F-14.9813, which replaces SRF-14.9813) over the sealant and areas around sealant. Be careful not to apply overcoat to bushing flange faces.



ALL DIMENSIONS ARE IN INCHES

Bushing Sealing Details  
Figure 601

232097

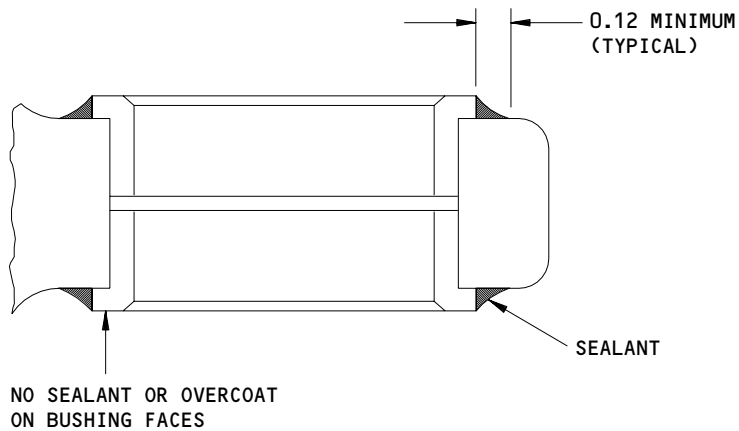
**32-11-20**

REPAIR 20-1

01.1

Page 601

Nov 01/05



ALL DIMENSIONS ARE IN INCHES

Bushing Sealing Details  
Figure 602

232098

**32-11-20**

REPAIR 20-1

01.1

Page 602

Jun 01/97

FAN AND DRIVE ASSEMBLY – REPAIR 21-1

161T1240-5

NOTE: Refer to REPAIR-GENERAL for a list of applicable standard practices.  
Refer to IPL Fig. 17 or 18 for item numbers.

1. Parts Replacement (Fig. 601)

A. Shroud and seal assembly (970) -- Refer to REPAIR 21-2.

B. Fan assembly (1045)

(1) Install replacement inserts (1050) in fan (1055) with wet BMS 10-11, Type 1 primer (F-20.04), 3/4 to 1-1/2 turns below the surface. Remove the tang.

(2) Refinish -- Refer to REPAIR 19-1.

C. Bearings (1025), spacer (1030), retainer (1035)

(1) Remove the old bearings (1025) and spacer (1030) from retainer (1035). The bearings are a clearance fit in the retainer. If they do not come out easily, be sure to push or pull on the bearings in an axial direction only.

(2) Install replacement bearing (1025) and spacer (1030) in retainer (1035) with a thin layer of BMS 3-33 or MIL-G-23827 grease on mating surfaces.

(3) Install retainer (1035) into the hub of fan (1045) with BMS 10-11, Type 1 primer on mating surfaces.

2. Complete Assembly (Fig. 601)

A. Install fan (1045) into shroud and seal assembly (970) with BMS 3-33 or MIL-G-23827 grease on mating surfaces.

B. Coat spacer (1060) with BMS 3-33 or MIL-G-23827 grease. Install the spacer onto the hub of the shroud and seal assembly, with the chamfered face toward the fan bearings.

C. Install cup (1080) on coupling (1085) with wet BMS 10-11, Type 1 primer on mating surfaces. Install screws (1070) and washer (1075).

D. Install the coupling onto the hub of the shroud and seal assembly with screws (950) and washers (955).

E. Install the drive bellows in the fan with wet BMS 10-11, Type 1 primer on mating surfaces. Install bolts (1040). Install cover (945) with washers (955) and screws (950).

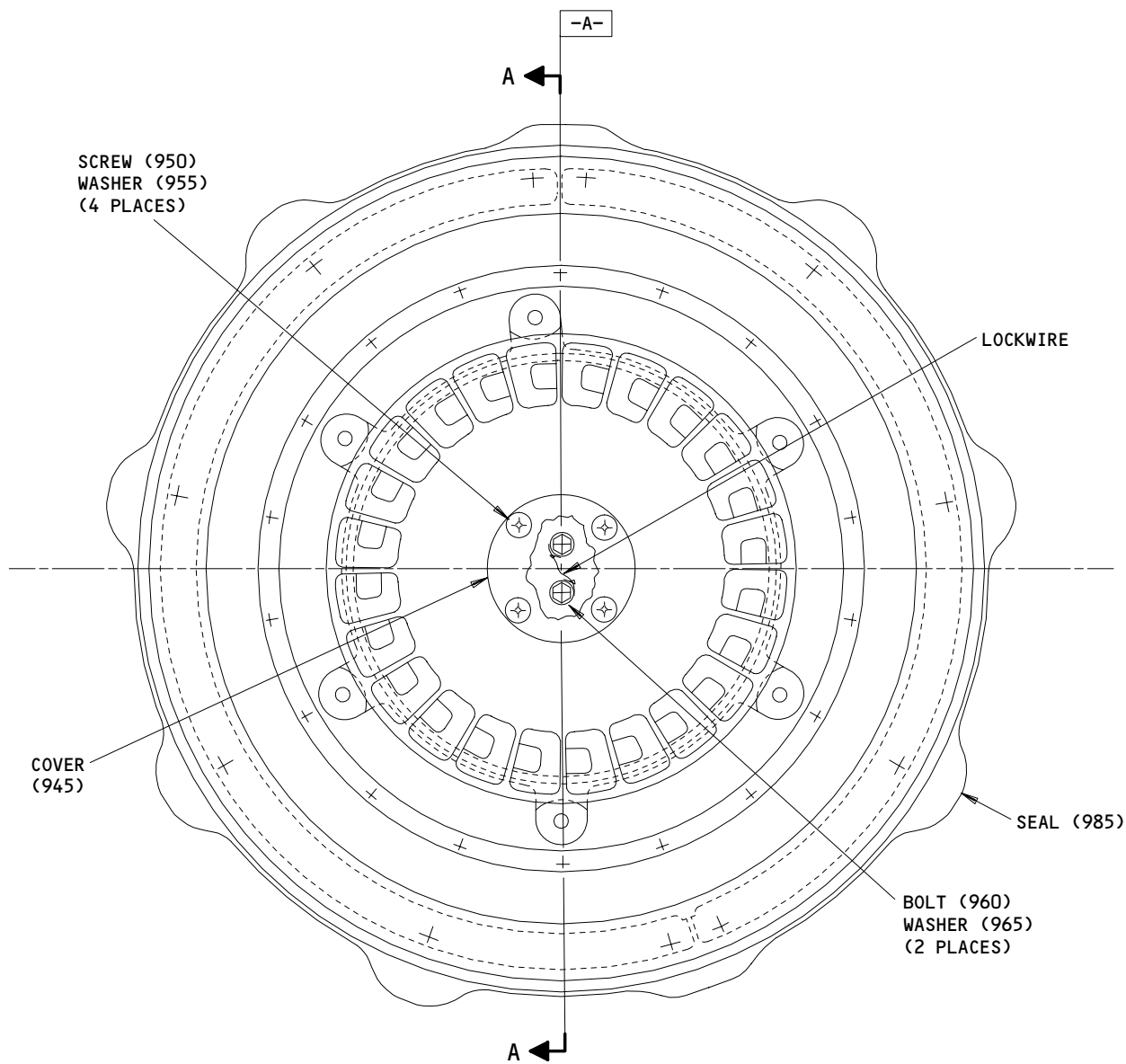
**32-11-20**

REPAIR 21-1

01.1

Page 601

Jul 01/04



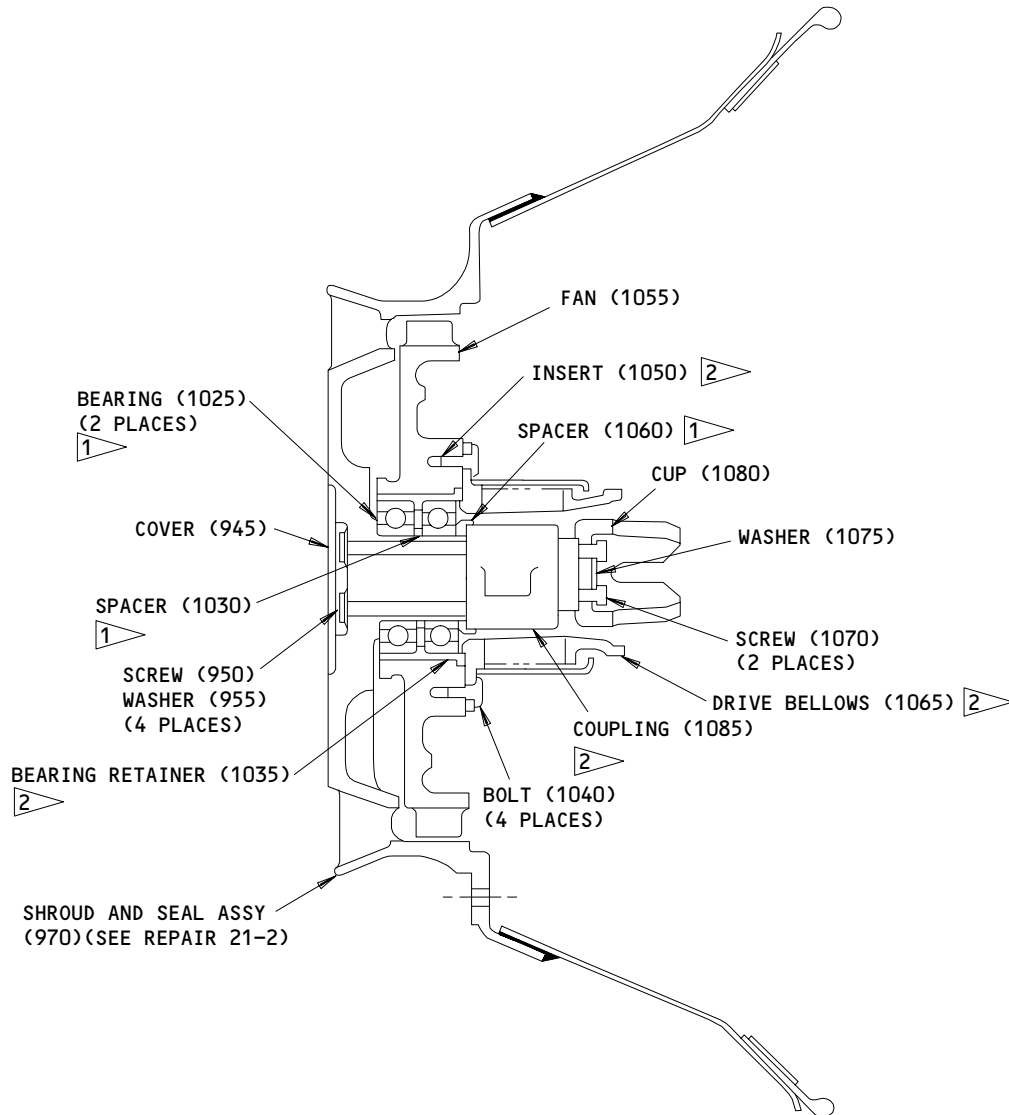
Fan and Drive Assembly Repair  
Figure 601 (Sheet 1)

**32-11-20**

REPAIR 21-1  
Page 602  
Apr 10/87

01.1





FAN AND DRIVE ASSY (940)  
A-A

- 1 COAT WITH GREASE MIL-G-23827 BEFORE INSTALLATION
- 2 INSTALL WITH WET PRIMER BMS 10-11, TYPE I ON FAYING SURFACES

Fan and Drive Assembly Repair  
Figure 601 (Sheet 2)

**32-11-20**

REPAIR 21-1

01.1

Page 603

Apr 10/87

SHROUD AND SEAL ASSEMBLY - REPAIR 21-2

161T1240-6

NOTE: Refer to REPAIR-GEN for list of applicable standard practices.

1. Parts Replacement (Fig. 601)

- A. Bond seal (985) to skirt (995) with type 60 adhesive. Install seal retainers (1015, 1020), bolts (975), and collars (980).
- B. Position reduced-height lobe of seal opposite hole in fan shroud (1005) which is offset from even spacing of other five holes. Bond seal to shroud with type 60 adhesive and rivets (990).
- C. Apply fillet seal of type 60 adhesive on exterior interface between shroud and skirt, as shown. Remove excess adhesive before it cures.
- D. Apply enamel, BMS 10-60 to outside face of shroud and seal, as shown.

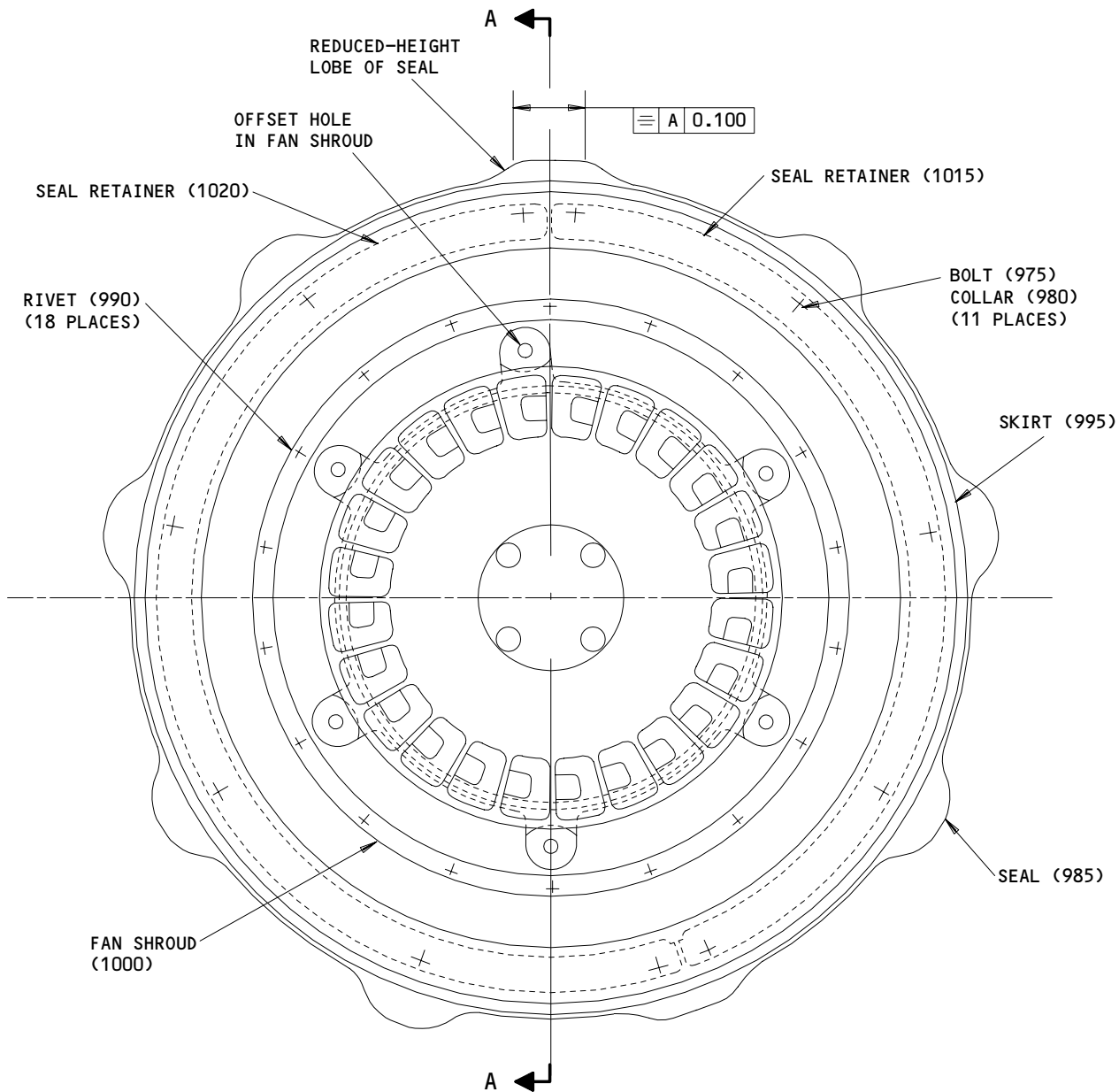
**32-11-20**

REPAIR 21-2

01.1

Page 601

Apr 10/87



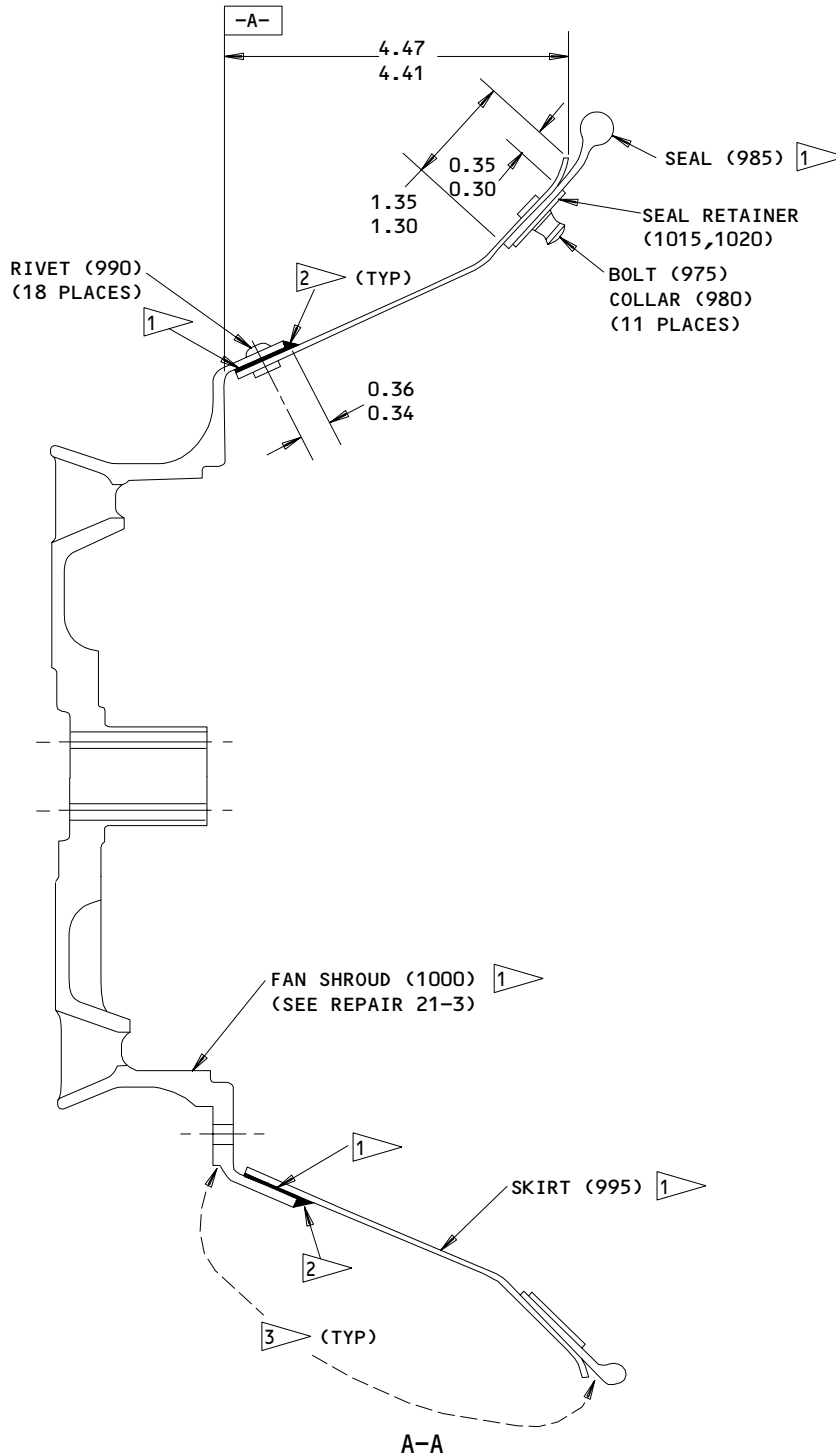
161T1240-6  
 Shroud and Seal Assembly Repair  
 Figure 601 (Sheet 1)

**32-11-20**

REPAIR 21-2  
 Page 602  
 Apr 10/87

01.1

252590



- 1 BOND WITH TYPE 60 ADHESIVE. REMOVE EXCESS ADHESIVE BEFORE IT CURES  
 2 FILLET SEAL WITH TYPE 60 ADHESIVE. REMOVE EXCESS ADHESIVE BEFORE IT CURES  
 3 APPLY ENAMEL, BMS 10-60 (SRF-14.9813)

161T1240-6  
Shroud and Seal Assembly Repair  
Figure 601 (Sheet 2)

**32-11-20**

REPAIR 21-2

Page 603

Apr 10/87

01.1

FAN SHROUD - REPAIR 21-3

161T1241-1

**NOTE:** Refer to REPAIR-GENERAL for list of applicable standard practices, and to IPL Fig. 17 or 18 for item numbers. For repair of surfaces which may require only restoration of original finish, refer to Refinish instruction, Fig. 601.

1. Inserts (1010)

- A. Remove old inserts. Install replacement inserts (1010) 3/4 to 1-1/2 turns below surface. Remove tang.

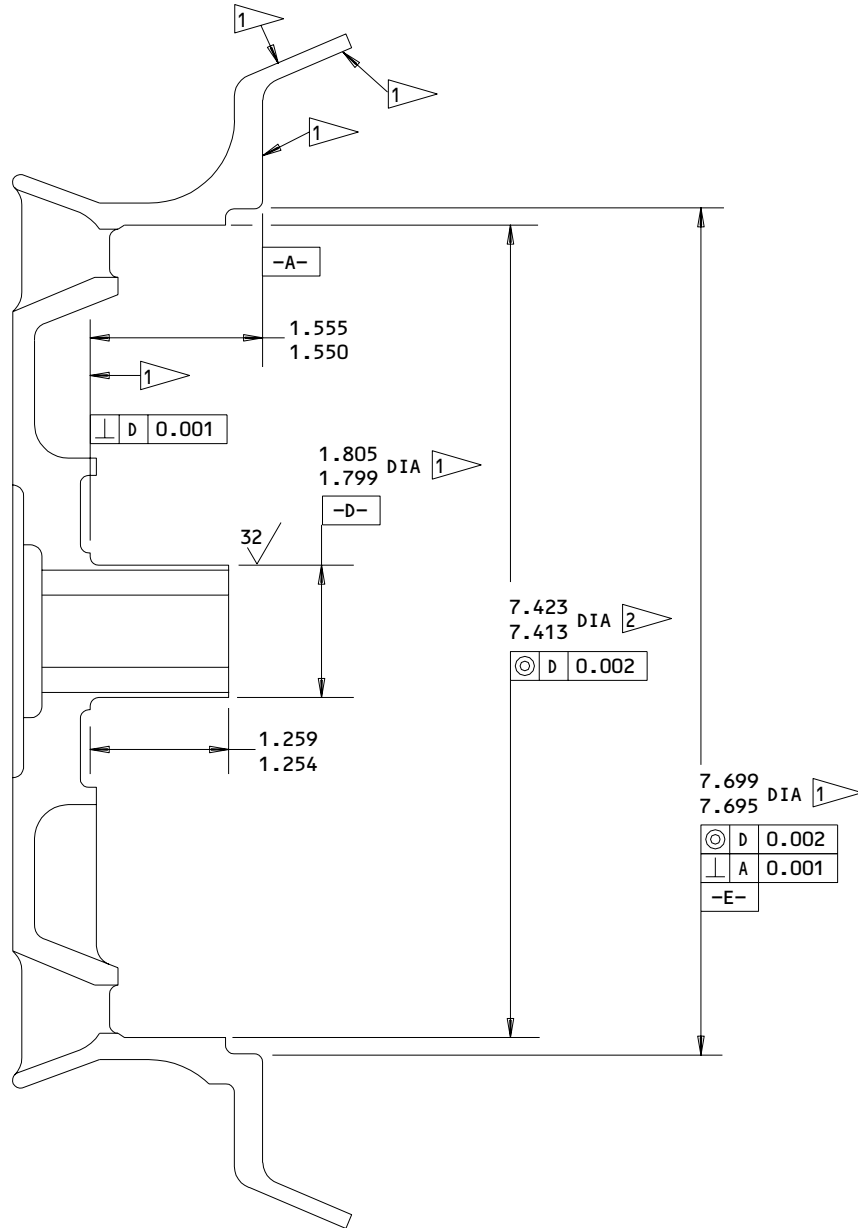
**32-11-20**

REPAIR 21-3

01.1

Page 601

Mar 01/97



**REFINISH**

CHROMIC ACID ANODIZE AND APPLY PRIMER, BMS 10-11, TYPE I (F-18.13) EXCEPT AS NOTED BY 2. APPLY ENAMEL, BMS 10-60 (SRF-14.9813) ON ALL PRIMED SURFACES EXCEPT AS NOTED BY 1. FILL LETTERS WITH BLACK ENAMEL BMS 10-60 (SRF-14.9815-701)

- 1 NO ENAMEL
- 2 NO PRIMER OR ENAMEL

**REPAIR**

(SAME AS REFINISH)  
 MATERIAL: AL ALLOY  
 ALL DIMENSIONS ARE IN INCHES

161T1241-2  
 Fan Shroud Refinsh  
 Figure 601

**32-11-20**

REPAIR 21-3  
 Page 602  
 Apr 10/87

01.1

RING, RETAINING - REPAIR 22-1

161T1305-2

**NOTE:** Refer to REPAIR-GEN for a list of applicable standard practices. For repair of surfaces which is only replacement of the original finish, refer to Refinish instructions, Fig. 601.

1. Plating Repair (Fig. 601)

- A. Repair is limited to adjustment of ring dimensions to go with repairs to mating parts.

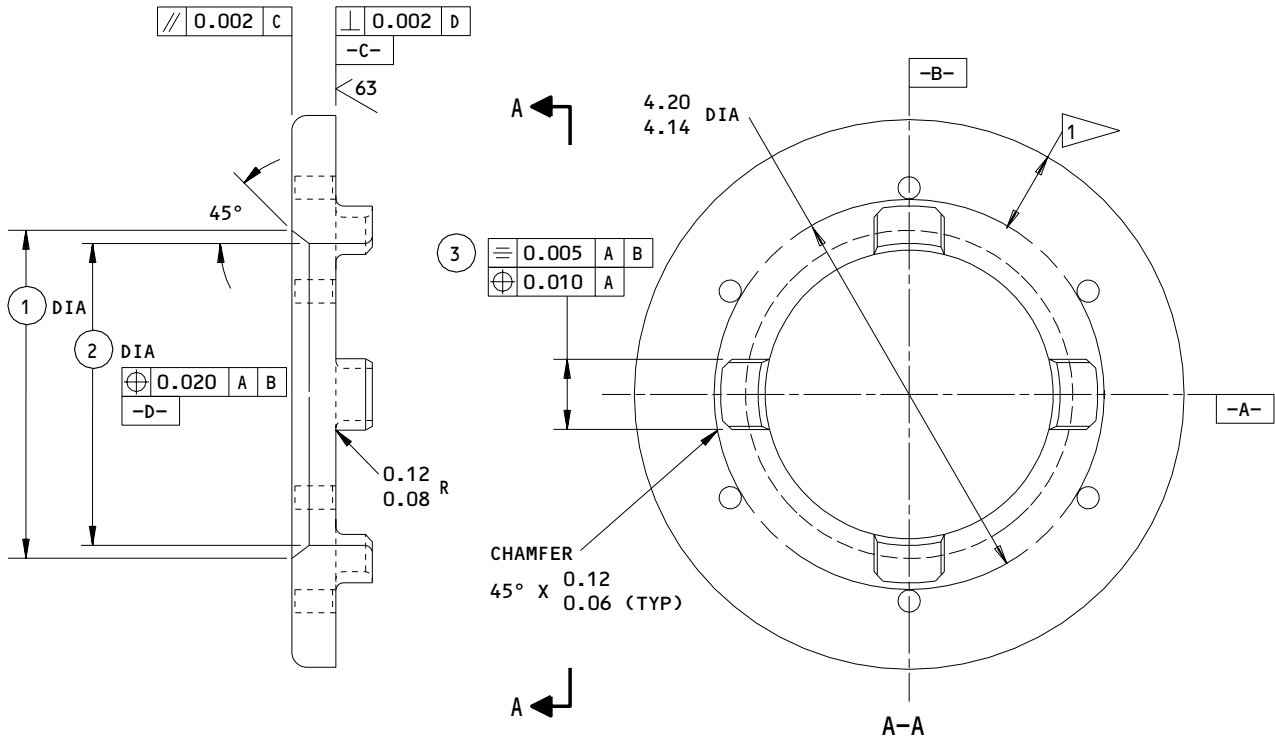
**32-11-20**

REPAIR 22-1

01.1

Page 601

Jun 01/94



REFERENCE NUMBER	①	②	③
DESIGN DIMENSION	3.61 3.59	3.28 3.25	0.75 0.74
REPAIR LIMIT	3.76 3.74 ②	3.43 3.40 ②	③

**REFINISH**

CHROME PLATE AREA SHOWN BY ①. PASSIVATE (F-17.09) OTHER SURFACES.

- ① CHROME PLATE (F-15.03) 0.0003-0.0005 THICK THIS AREA, NEAR SIDE ONLY, WITH 0.08 MAX PLATING RUNOUT AT EDGES
- ② INCREASE THE DIMENSIONS TO THIS RANGE FOR OVERSIZE BOLT 161T1306
- ③ DECREASE THE TAB WIDTH AS NECESSARY FOR SPECIAL HOUSINGS WITH DECREASED SLOT WIDTHS

**REPAIR**

(SAME AS REFINISH)  
 125/ ALL MACHINED SURFACES UNLESS SHOWN DIFFERENTLY  
 MATERIAL: 15-5PH CRES, 180-200 KSI  
 ALL DIMENSIONS ARE IN INCHES

161T1305-2  
 Retainer Ring Repair and Refinish  
 Figure 601



WHEEL SPACER – REPAIR 23-1

161T1202-1, -2

NOTE: Refer to REPAIR-GEN for list of applicable standard practices. For repair of surfaces which require only restoration of original finish, refer to refinish instructions, Fig. 601.

1. End Faces (Fig. 601)

- A. Machine as required, within repair limits, to remove defects.
- B. Refinish as indicated.

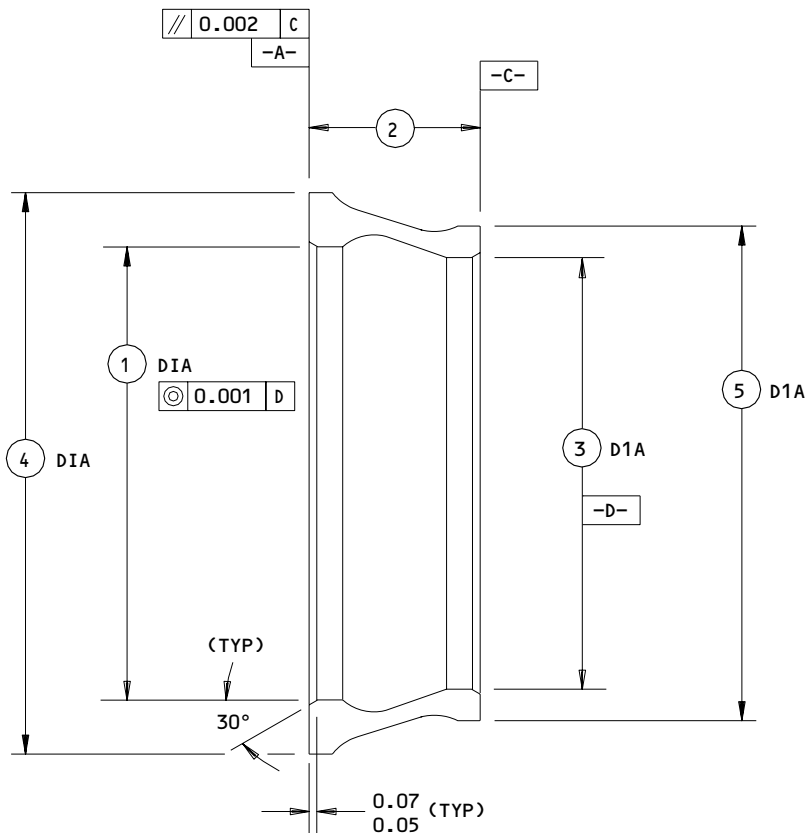
**32-11-20**

REPAIR 23-1

01.1

Page 601

Apr 01/93



	①	②	③	④ ②	④ ③	⑤ ②	⑤ ③
<b>DESIGN DIM</b>	5.005 5.003	1.840 1.820	4.7515 4.7500	6.01 5.99	6.03 5.97	5.39 5.37	5.41 5.35
<b>REPAIR LIMIT</b>	---	1.800 ①	---	---	---		---

**REFINISH**

PASSIVATE (F-17.25, WHICH REPLACES F-17.09)

- ① RESTORATION TO DESIGN DIMENSION NOT REQUIRED
- ② 161T1202-1
- ③ 161T1202-2

**REPAIR**

REF ①

125 ✓ ALL MACHINED SURFACES UNLESS SHOWN DIFFERENTLY

MATERIAL: 15-5PH CRES, 180-200 KSI

ALL DIMENSIONS ARE IN INCHES

161T1202-1,-2  
 Wheel Spacer Repair and Refinish  
 Figure 601

**32-11-20**

REPAIR 23-1

Page 602

Jul 01/01

01.1

BULKHEAD - REPAIR 24-1

161T1024-1, -3

NOTE: Refer to REPAIR-GEN for a list of applicable standard practices. For repair which is only replacement of the original finish, refer to Refinish instructions, Fig. 601.

1. Diameter -A- (Fig. 601)

- A. Machine as required, within repair limits, to remove defects.
- B. Shot peen.
- C. Build up the surface to design dimensions with teflon enamel as indicated.

2. Surface -B- (Fig. 601)

- A. Machine as required, within repair limits, to remove defects.
- B. Shot peen.
- C. Build up the surface with chrome plate and grind to design dimensions and finish.

3. Holes (Fig. 601)

- A. Machine as required, within repair limits, to remove defects.
- B. Shot peen.
- C. Cadmium plate. Apply primer.

**32-11-20**

REPAIR 24-1

01.1

Page 601

Jun 01/94



PIN - REPAIR 25-1

161T1025-1

NOTE: Refer to REPAIR-GEN for a list of applicable standard practices. For repair which is only replacement of the original finish, refer to Refinish instructions, Fig. 601.

1. Shank Reliefs, Slot Width -- Dimensions 1, 3, 4, 6 (Fig. 601)

A. Machine as required, within repair limits, to remove defects.

B. Shot peen.

C. Cadmium plate. Apply primer.

2. Head Slot Widths, Adjacent Shank Diameter A -- Dimensions 2, 8 (Fig. 601)

A. Machine as required, within repair limits, to remove defects.

B. Shot peen.

C. Build up the surface to design dimensions with teflon enamel as indicated.

3. Head Face B, Shank Slot Length -- Dimensions 5, 7, 9, 10, 11 (Fig. 601)

A. Machine surface B as required, within repair limits, to remove defects.

B. Remove material from the head end of the shank slot, within repair limits, to make allowance for the amount of material removed in step A.

C. If more material was removed from the head face B than can be removed from the shank slot, you can remove material from the end face X and the adjacent end of the slot, within repair limits shown for dimensions 5, 7, 9, 10.

**32-11-20**

REPAIR 25-1

01.1

Page 601

Jun 01/94

- | D. Be sure to restore the chamfer at the end of the threads, as shown.
- | E. Shot peen. Refinish as indicated.

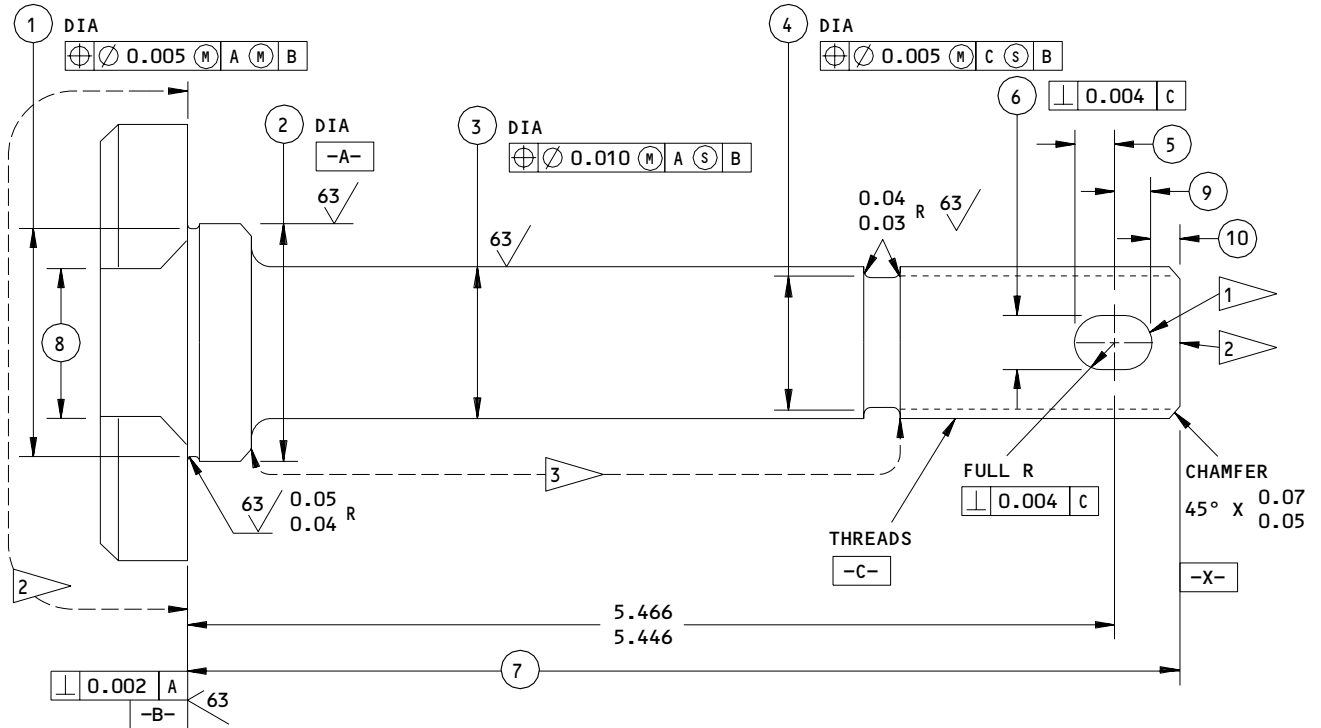
**32-11-20**

REPAIR 25-1

01.1

Page 602

Jun 01/94



REFERENCE NUMBER	1	2	3	4	5	6	7	8	9	10	11
DESIGN DIMENSION	1.32 1.31	1.364 1.354	0.894 0.874	0.772 0.762	0.229 0.219	0.3275 0.3125	5.840 5.820	0.870 0.850	0.229 0.219	0.175 0.125	0.51 0.49
REPAIR LIMIT	1.25 7	1.335 4	0.814 7	0.700 7	0.265 5 7	0.3400 7	5.850 6 7	0.890 4	0.240 7	0.110 6 7	0.465 7

**REFINISH**

CADMIUM PLATE (F-15.06) ALL OVER, 0.0005-0.0007 THICK, UNLESS SHOWN BY 1.

WIPE THREADS WITH PRIMER (F-19.45). APPLY PRIMER BMS 10-11, TYPE 1 (F-20.02) TO OTHER SURFACES UNLESS SHOWN BY 2, 3.

- 1 STYLUS CADMIUM PLATE (F-15.29) 0.0005-0.0007 THICK IS OPTIONAL TO CADMIUM PLATE (F-15.06) IN THE HOLE. (APPLY PRIMER F-20.02)
- 2 AFTER PLATING, APPLY BMS 10-11, TYPE 1 PRIMER (F-20.03) AND BMS 10-60 ENAMEL (SRF-14.9813) TO THIS AREA.
- 3 AFTER PLATING, APPLY BMS 10-11, TYPE 1 PRIMER (F-20.03) TO THIS AREA.
- 4 LIMIT FOR BUILDUP WITH TEFLON FILLED ENAMEL BMS 10-86 (SRF-14.9625)

**REPAIR**

(SAME AS REFINISH)

125 ALL MACHINED SURFACES UNLESS SHOWN DIFFERENTLY

SHOT PEEN (BUT NOT ON THREADS; OPTIONAL IN SLOT): 0.017-0.046 SHOT SIZE  
0.016 A2 INTENSITY

MATERIAL: 4330M OR 4340 STEEL, 180-200 KSI

ALL DIMENSIONS ARE IN INCHES

DIMENSIONS APPLY BEFORE SHOT PEEN OR REFINISH

- 5 MATERIAL CAN BE REMOVED EQUAL TO AMOUNT REMOVED FROM HEAD FACE -B-
- 6 LIMIT FOR MATERIAL REMOVAL FROM END FACE -X- TO PERMIT MORE MATERIAL REMOVAL FROM HEAD FACE -B-
- 7 RESTORATION TO DESIGN DIM NOT REQUIRED

161T1025-1  
Pin Repair and Refinish  
Figure 601

**32-11-20**

REPAIR 25-1

01.1

Page 603

Jun 01/94

PIN - REPAIR 26-1

161T1019-1, -2

**NOTE:** Refer to REPAIR-GEN for a list of applicable standard practices. For repair which is only replacement of the original finish, refer to Refinish instructions, Fig. 601.

1. OD (Fig. 601)

- A. Machine as required, within repair limits to remove defects.
- B. Shot peen as indicated.
- C. Build up machined surfaces with chrome plate. Grind to design dimensions and finish.

2. ID, Relief Diameter (Fig. 601)

- A. Machine as required, within repair limits, to remove defects.
- B. Refinish as indicated.

**32-11-20**

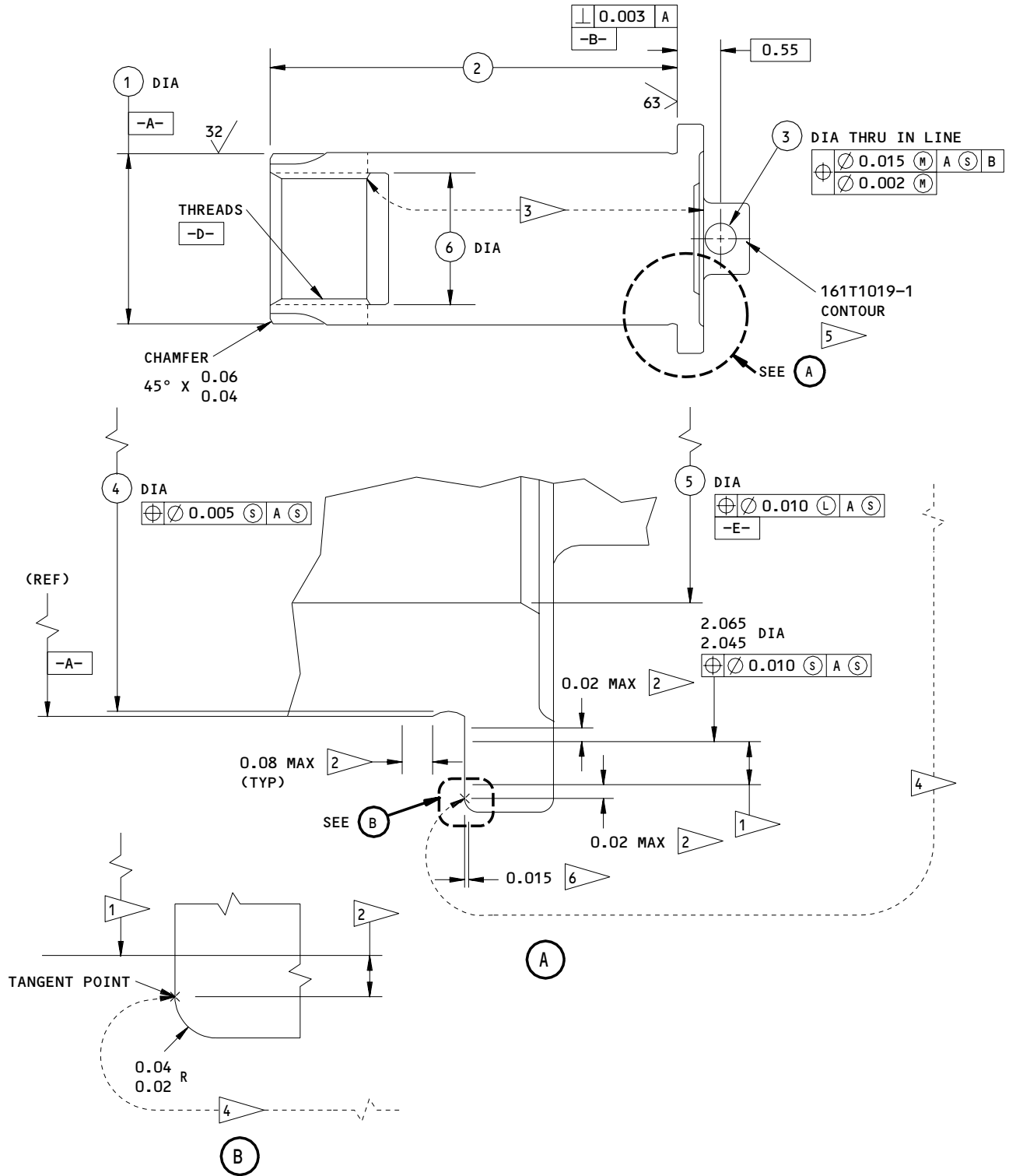
REPAIR 26-1

01.1

Page 601

Dec 01/94





161T1019-1,-2  
 Pin Repair and Refinish  
 Figure 601 (Sheet 1)

**32-11-20**

REPAIR 26-1

Page 602

Jul 01/00

01.1

REFERENCE NUMBER	①	②	③	④	⑤	⑥
DESIGN DIMENSION	1.999 1.997	5.01 4.99	0.385 0.365	1.940 1.930	1.197 1.177	1.533 1.523
REPAIR LIMIT	1.967 ⑥	--	--	1.900 ⑦	1.227 ⑦	1.563 ⑦

**REFINISH**

CHROME PLATE AREA ①, WITH RUNOUT AS SHOWN BY ②. WIPE THE CHROME PLATE WITH PRIMER (F-19.45).

CADMIUM-TITANIUM PLATE (F-15.32) THE THREADS.

CADMIUM-TITANIUM PLATE (F-15.01) AND APPLY PRIMER BMS 10-11, TYPE 1 (F-20.03) ON OTHER AREAS, ID AND OD.

APPLY CORROSION PREVENTIVE COMPOUND IN ID AS SHOWN BY ③.

APPLY ENAMEL ON HEAD AREAS AS SHOWN BY ④ ⑤

- ① CHROME PLATE (F-15.34), 0.0015-0.0020 THICK DO NOT GRIND.
- ② CHROME PLATE RUNOUT
- ③ APPLY MIL-C-11796, CLASS 1 CORROSION PREVENTIVE COMPOUND (F-19.03)
- ④ APPLY BMS 10-60 ENAMEL (SRF-14.9813) UNLESS SHOWN BY ⑤
- ⑤ ON 161T1019-1 PIN, APPLY ORANGE ENAMEL BMS 10-60 (SRF-14.9815-201) IN CONTOUR.
- ⑥ LIMIT FOR CHROME PLATE BUILDUP, 0.015 MAX THICK AFTER GRINDING
- ⑦ RESTORATION TO DESIGN DIMENSIONS NOT REQUIRED

**REPAIR**

REF ⑥ ⑦

125 ✓ ALL MACHINED SURFACES UNLESS SHOWN DIFFERENTLY

SHOT PEEN (BUT NOT THREADS):  
RC 55-65 SHOT HEAT TREAT  
0.016-0.033 SHOT SIZE  
0.014-0.018 A2 INTENSITY

MATERIAL: 161T1019-1; AERMET 100  
161T1019-2; 4340M STEEL,  
275-300 KSI

ALL DIMENSIONS ARE IN INCHES

161T1019-1,-2  
Pin Repair and Refinish  
Figure 601 (Sheet 2)

**32-11-20**

REPAIR 26-1

01.1

Page 603

Jul 01/00

BOLT, RETAINING - REPAIR 27-1

161T1020-1

**NOTE:** Refer to REPAIR-GEN for a list of applicable standard practices. For repair which is only replacement of the original finish, refer to Refinish instructions, Fig. 601.

1. Head Faces (Fig. 601)

- A. Machine as required, within repair limits, to remove defects.
- B. Refinish as indicated.

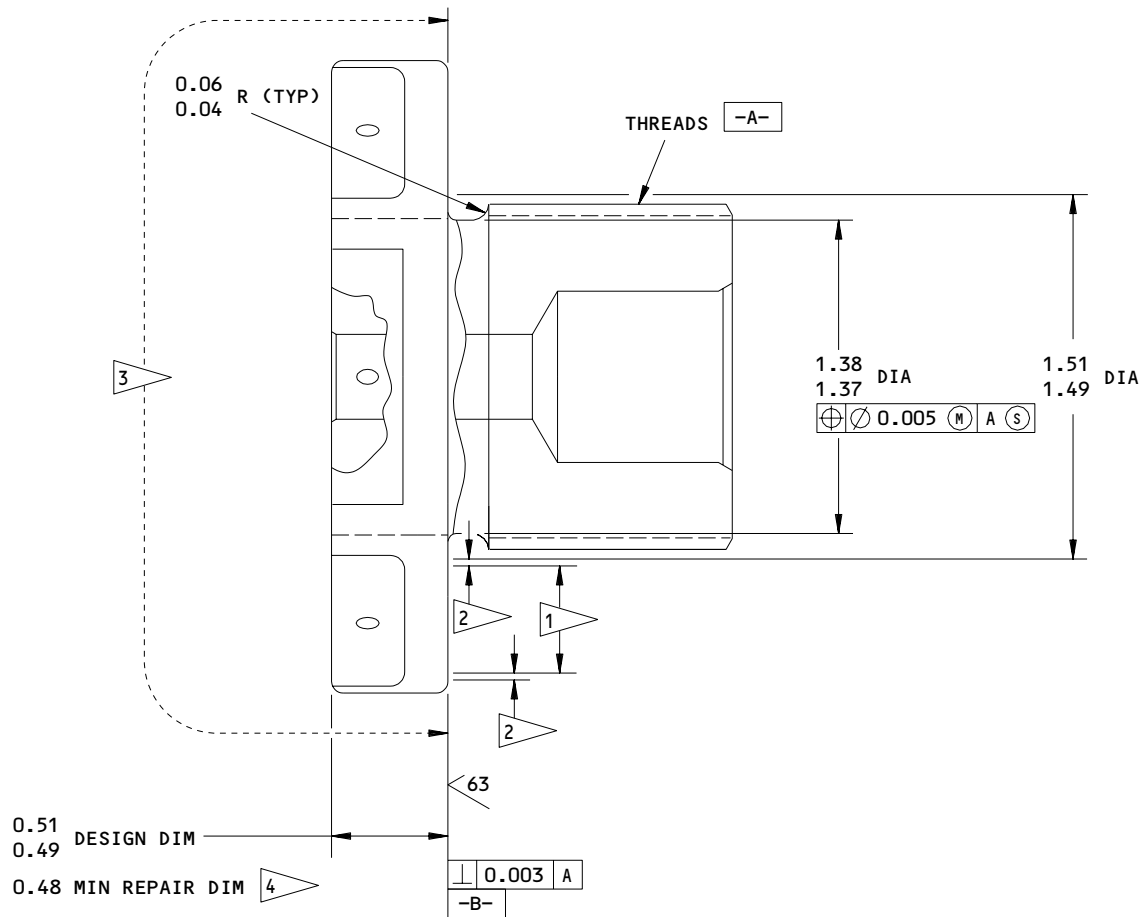
**32-11-20**

REPAIR 27-1

01.1

Page 601

Dec 01/94



**REFINISH**

CHROME PLATE AREA SHOWN BY 1, WITH RUNOUT AS SHOWN BY 2. WIPE THE CHROME PLATE WITH PRIMER (F-19.45). CADMIUM-TITANIUM PLATE (F-15.32) THREADS.

CADMIUM TITANIUM PLATE (F-15.01) AND APPLY PRIMER BMS 10-11, TYPE I (F-20.03) ON OTHER AREAS, ID AND OD. APPLY MIL-C-11796 CLASS 1 CORROSION PREVENTIVE COMPOUND (F-19.03) IN ID. APPLY ENAMEL ON HEAD AREAS AS SHOWN BY 3

- 1 CHROME PLATE (F-15.34), 0.0015-0.0020 THICK. DO NOT GRIND.
- 2 0.02 MAX CHROME PLATE RUNOUT
- 3 APPLY BMS 10-60 ENAMEL (SRF-14.9813).
- 4 RESTORATION TO DESIGN DIMENSIONS NOT REQUIRED

**REPAIR**

REF 4

125 ✓ ALL MACHINED SURFACES UNLESS SHOWN DIFFERENTLY

SHOT PEEN (BUT NOT THREADS)  
 Rc 55-65 SHOT HEAT TREAT  
 0.016-0.033 SHOT SIZE  
 0.014-0.018 A2 INTENSITY

MATERIAL: 4330M STEEL, 220-240 KSI  
 ALL DIMENSIONS ARE IN INCHES

161T1020-1  
 Bolt Repair and Refinish  
 Figure 601

**32-11-20**

REPAIR 27-1

01.1

Page 602

Dec 01/94

EXTERNAL MARKING REPLACEMENT – REPAIR 28-1

NOTE: Refer to REPAIR – GENERAL for a list of applicable standard practices.

1. Witness Lines on Bushings (161T1000-723, -724 only) (Fig. 401)

A. Paint the stripe on the bushings of the shock strut as shown. Use BMS 10-60 enamel, red color 101.

B. Apply a layer of type 41 protective finish (F-21.34) over the red stripes and a minimum of 0.10 inch on the adjacent surfaces.

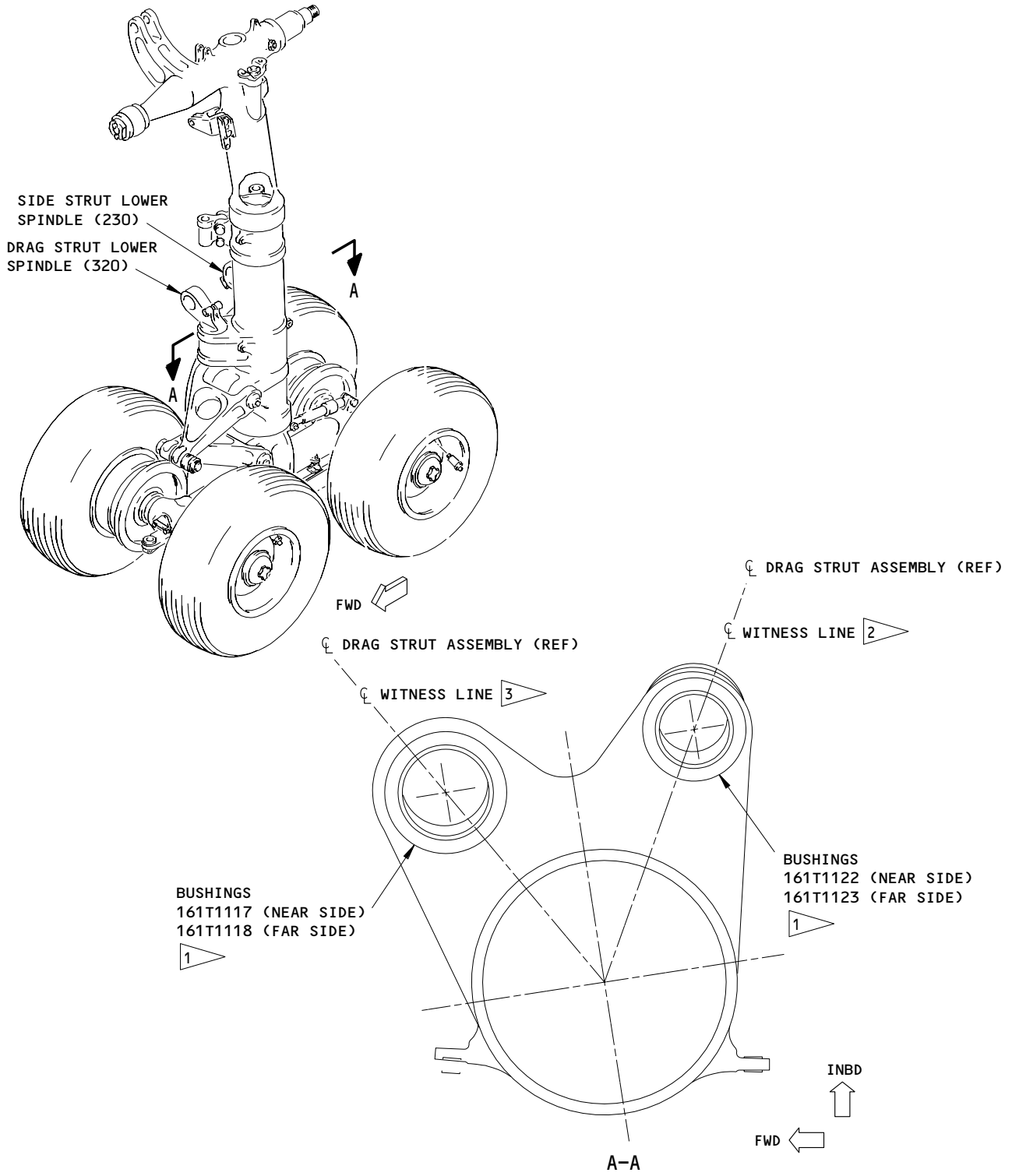
**32-11-20**

REPAIR 28-1

01.1

Page 601

Jul 01/04



ITEM NUMBERS REFER TO IPL FIG. 17 OR 18

161T1000-723,-724  
 Bushing Witness Line Installation Details  
 Figure 601 (Sheet 1)

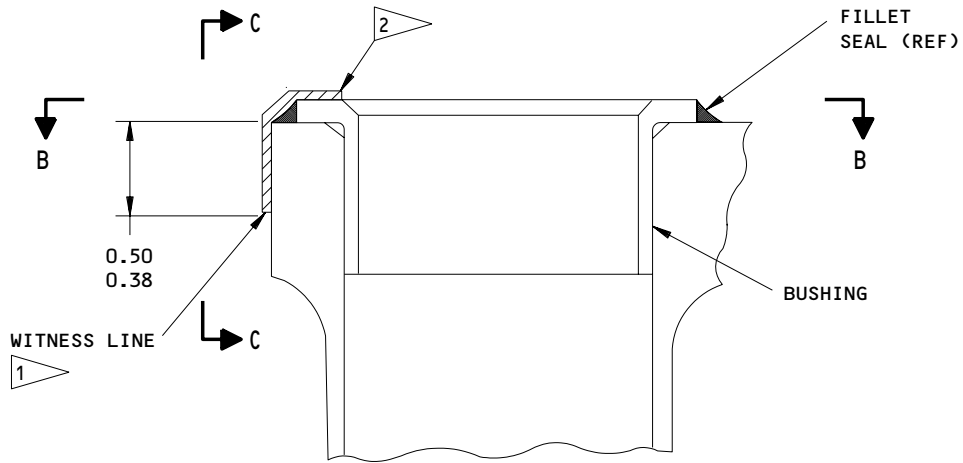
**32-11-20**

REPAIR 28-1

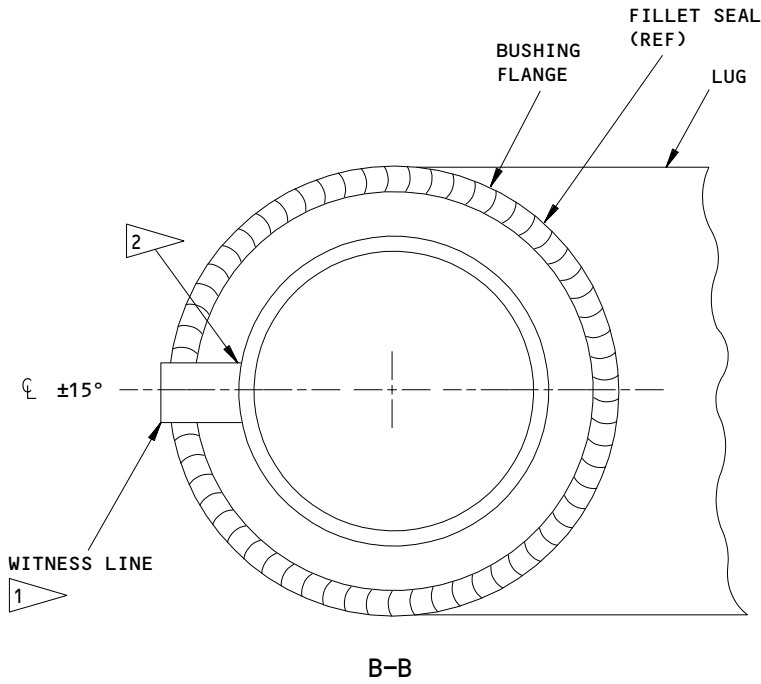
Page 602

Jun 01/97

01.1



TYPICAL BUSHING AND LUG



B-B  
LEFT HAND SHOWN  
RIGHT HAND OPPOSITE

161T1000-723,-724  
Bushing Witness Line Installation Details  
Figure 601 (Sheet 2)

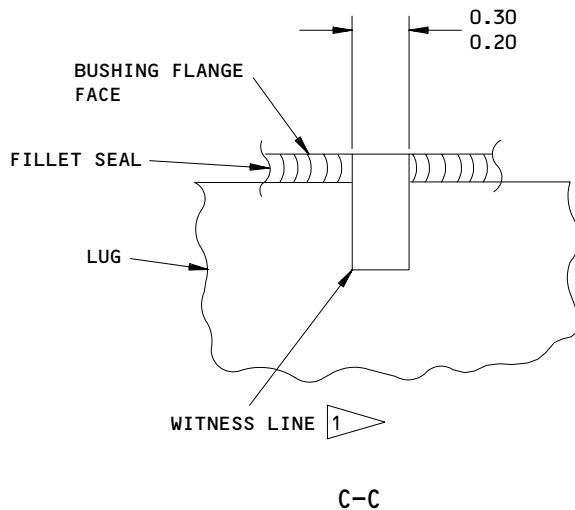
**32-11-20**

REPAIR 28-1

Page 603

Jun 01/97

01.1



LEFT HAND SHOWN  
 RIGHT HAND OPPOSITE

- 1 APPLY A CONTINUOUS STRIPE OF RED BMS 10-60 ENAMEL (SRF-14.9815-101) AND THEN A LAYER OF TYPE 41 PROTECTIVE COATING TO THESE BUSHINGS AND ADJACENT LUG SURFACES.
- 2 APPLICATION OF THE WITNESS LINE UP TO THE CHAMFER IS PREFERRED.
- 3 TO BE WITHIN  $\pm 15$  DEGREES OF INDICATED STRUT CENTERLINE.

IPL NUMBERS REFER TO IPL FIG. 17 OR 18  
 ALL DIMENSIONS ARE IN INCHES

161T1000-723,-724  
 Bushing Witness Line Installation Details  
 Figure 601 (Sheet 3)

**32-11-20**  
 REPAIR 28-1  
 Page 604  
 Jun 01/97

01.1



TRUCK POSITIONER HOSE ASSEMBLY – REPAIR 29-1

272T6124-1

NOTE: Refer to REPAIR-GEN for a list of applicable standard practices. Refer to IPL Fig. 2 for item numbers.

1. Parts Replacement (Fig. 601)

- A. Make sure the stops and the sleeves are in position on the hose within the dimensions shown.
- B. If necessary, replace loose or defective sleeves and heat shrink the replacement sleeves on the hose per SOPM 20-11-03.

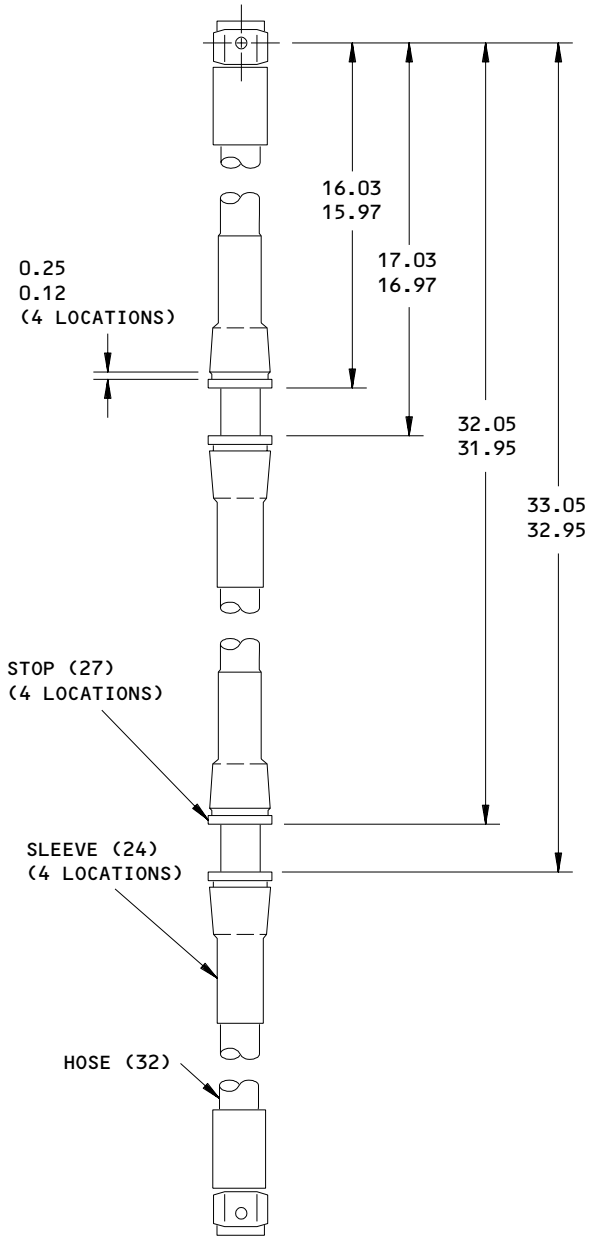
**32-11-20**

REPAIR 29-1

Page 601

Jul 01/04

01.1



ITEM NUMBERS REFER TO IPL FIG. 2  
 ALL DIMENSIONS ARE IN INCHES

272T6124-1

Truck Positioner Hose Details  
 Figure 601

**32-11-20**

REPAIR 29-1

Page 602

Nov 01/98

01.1

MOUNTING RING ASSEMBLY – REPAIR 30-1

161T1246-1, -3

NOTE: Refer to REPAIR-GENERAL for a list of applicable standard practices. Refer to IPL Fig. 9, 15, or 16, as applicable. Because this unit is in different IPL figures with different item numbers, part numbers instead of item numbers are used in this procedure.

1. Locating Pin Replacement (Fig. 601)

- A. Remove the old locating pin. It could be a shrink-fit in the ring.
- B. If you find defects on the mating hole surfaces, refer to par. 3 for repair instructions.
- C. Install a replacement locator pin by the shrink-fit method of SOPM 20-50-03.

2. Threaded Insert Replacement (Fig. 601)

- A. Remove the old insert.
- B. If you find defects on the mating hole surfaces, refer to par. 4 for repair instructions.
- C. Apply primer BMS 10-11, Type 1 to the hole surfaces.
- D. While the primer is wet, install a replacement insert, 3/4 to 1 1/2 turns below the surface. Remove the tang.

3. Hole for Locator Pin (Fig. 601)

- A. Machine the hole to an oversize range as necessary to remove defects.
- B. Penetrant examine to make sure you removed all of the defects.
- C. Chemical treat or chromic acid anodize the hole surfaces. Apply primer and enamel as indicated.
- D. Make an oversize locator pin as shown in REPAIR 31-1.
- E. Install the pin per par. 1 above.

4. Hole for Threaded Insert (Fig. 601)

- A. Cut new threads, 0.375-16UNC-2B, for repair insert MS51830-202.
- B. Penetrant examine to make sure there are no defects.
- C. Install the insert per par. 2 above.

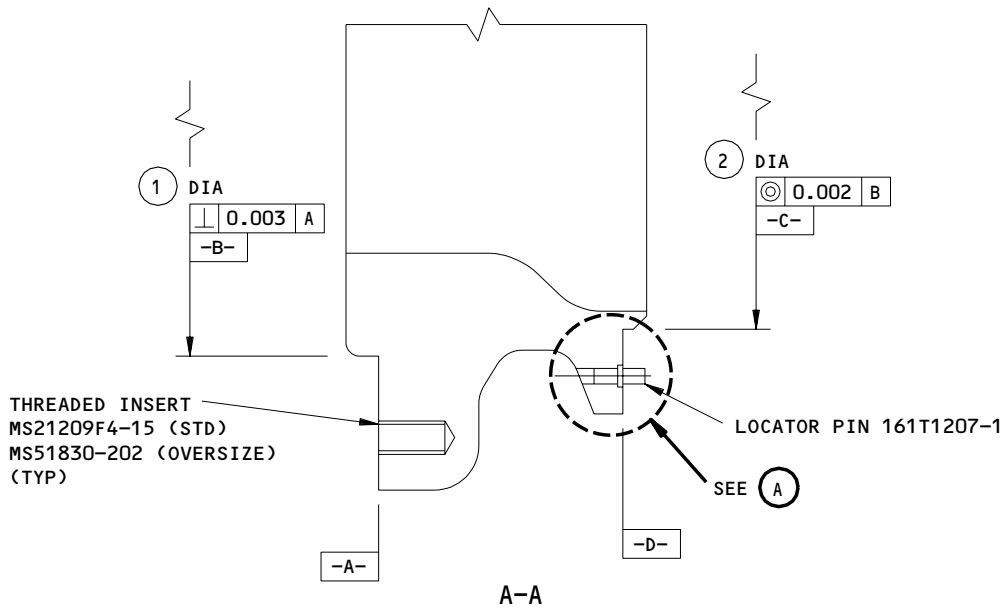
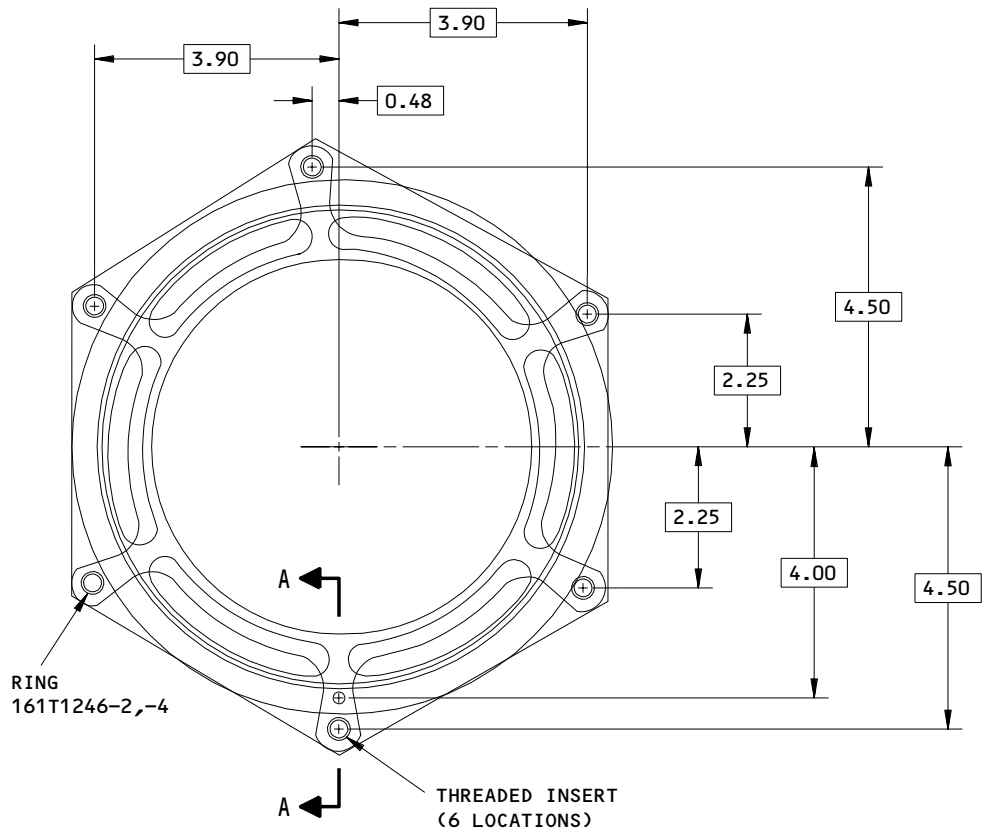
**32-11-20**

REPAIR 30-1

01.1

Page 601

Mar 01/99



161T1246-1,-3  
 Mounting Ring Assembly Repair and Refinish  
 Figure 601 (Sheet 1)

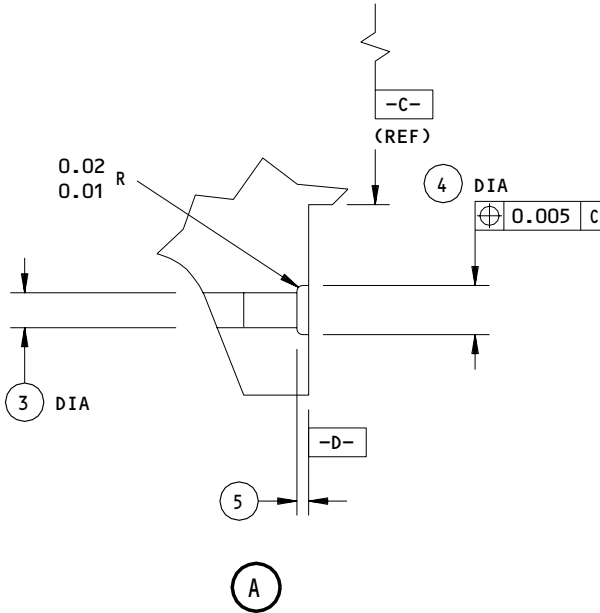
**32-11-20**

REPAIR 30-1

Page 602

Mar 01/99

01.1



	①	②
DESIGN DIM	7.693 7.689	7.240 7.235
REPAIR LIMIT	----	----

TABLE A

	③	④	⑤
DESIGN DIM	0.126 0.125	0.20 0.18	0.04 0.03
1/32 OVERSIZE ①	0.1573 0.1563	0.2313 0.2113	0.06 0.05
1/16 OVERSIZE ①	0.1885 0.1875	0.2625 0.2425	0.06 0.05
1/8 OVERSIZE ①	0.2510 0.2500	0.3250 0.3050	0.06 0.05
3/16 OVERSIZE ①	0.3135 0.3125	0.3875 0.3675	0.06 0.05

TABLE B

**REFINISH**

RING 161T1246-2,-4: CHROMIC ACID ANODIZE AND APPLY PRIMER BMS 10-11, TYPE 1 (F-18.13).

AFTER INSERT AND PIN INSTALLATION, APPLY ENAMEL BMS 10-60 (SRF-14.9813) BUT NOT ON DIAMETERS -B- OR -C-, OR ON SURFACES -A- OR -D-.

① RANGE FOR INSTALLATION OF OVERSIZE LOCATOR PIN (REFERENCE REPAIR 31-1)

**REPAIR**

REF ①

125/ ALL MACHINED SURFACES UNLESS SHOWN DIFFERENTLY

MATERIAL: AL ALLOY

ALL DIMENSIONS ARE IN INCHES

161T1246-1,-3  
Mounting Ring Assembly Repair and Refinish  
Figure 601 (Sheet 2)

32-11-20

REPAIR 30-1

Page 603

Mar 01/99

01.1

LOCATOR PIN – REPAIR 31-1

161T1207-1

NOTE: Refer to REPAIR – GENERAL for a list of applicable standard practices.

1. Coating Repair (Fig. 601)

- | A. Repair is only replacement of the original finish. Refer to Refinish for details.

2. Oversize Pins (Fig. 601)

- A. If you machined the mating hole in the 161T1246-series mounting ring (Ref REPAIR 30-1), make an oversize locator pin as shown.
- B. Refer to REPAIR 30-1 for installation instructions.

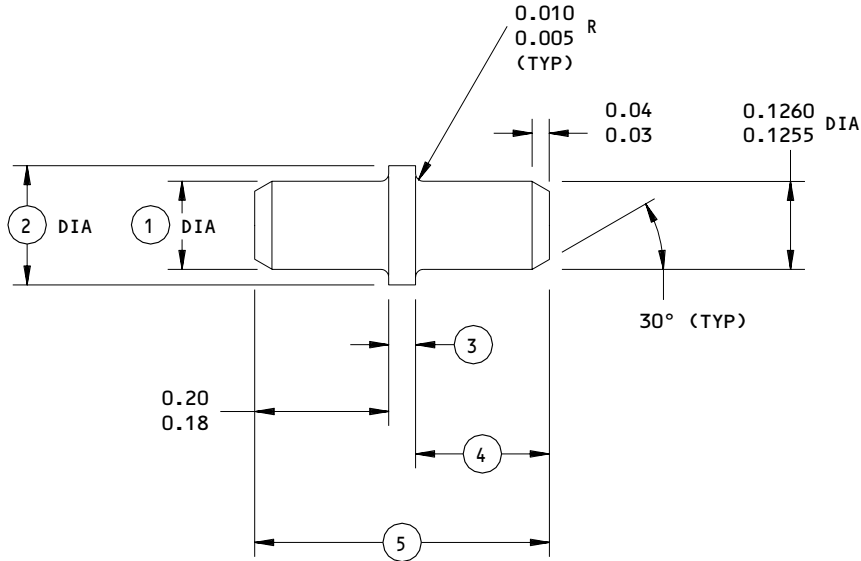
**32-11-20**

REPAIR 31-1

01.1

Page 601

Nov 01/99



	①	②	③	④	⑤
DESIGN DIM	0.1260 0.1255	0.1600 0.1500	0.04 0.03	----	0.42 0.40
1/32 OVERSIZE ①	0.1573 0.1568	0.1913 0.1813	0.06 0.05	0.20 0.18	----
1/16 OVERSIZE ①	0.1885 0.1880	0.2225 0.2125	0.06 0.05	0.20 0.18	----
1/8 OVERSIZE ①	0.2510 0.2505	0.2850 0.2750	0.06 0.05	0.20 0.18	----
3/16 OVERSIZE ①	0.3135 0.3130	0.3475 0.3375	0.06 0.05	0.20 0.18	----

**REFINISH**

CADMIUM PLATE (F-15.06)

① RANGE FOR INSTALLATION IN REPAIRED MATING HOLE IN MOUNTING RING 161T1246-1,-3 (REFERENCE REPAIR 31-1)

**REPAIR**

REF ①

125 ✓ ALL MACHINED SURFACES UNLESS SHOWN DIFFERENTLY

MATERIAL: 304 CRES PER QQ-S-763 OR MIL-S-5059

DIMENSIONS APPLY BEFORE PLATING

ALL DIMENSIONS ARE IN INCHES

161T1207-1  
 Locator Pin Repair and Refinish  
 Figure 601

**32-11-20**

REPAIR 31-1

Page 602

Mar 01/99

01.1

WHEEL RETENTION NUT - REPAIR 32-1

161T1204-1

NOTE: Refer to REPAIR - GENERAL for a list of applicable standard practices.

1. Coating Repair (Fig. 601)

A. Repair is only replacement of the original finish. Refer to Refinish for details.

2. Undersize Threads (Fig. 601)

A. If you cut the axle threads undersize (Ref CMM 32-11-50 REPAIR 3-2), make an undersize nut as shown.

B. Be sure to keep the nut and the axle together as a matched set. We recommend you vibro-engage **MATCHED SET-DO NOT SEPARATE** on the nut and the axle, and paint these parts with yellow enamel.

**32-11-20**

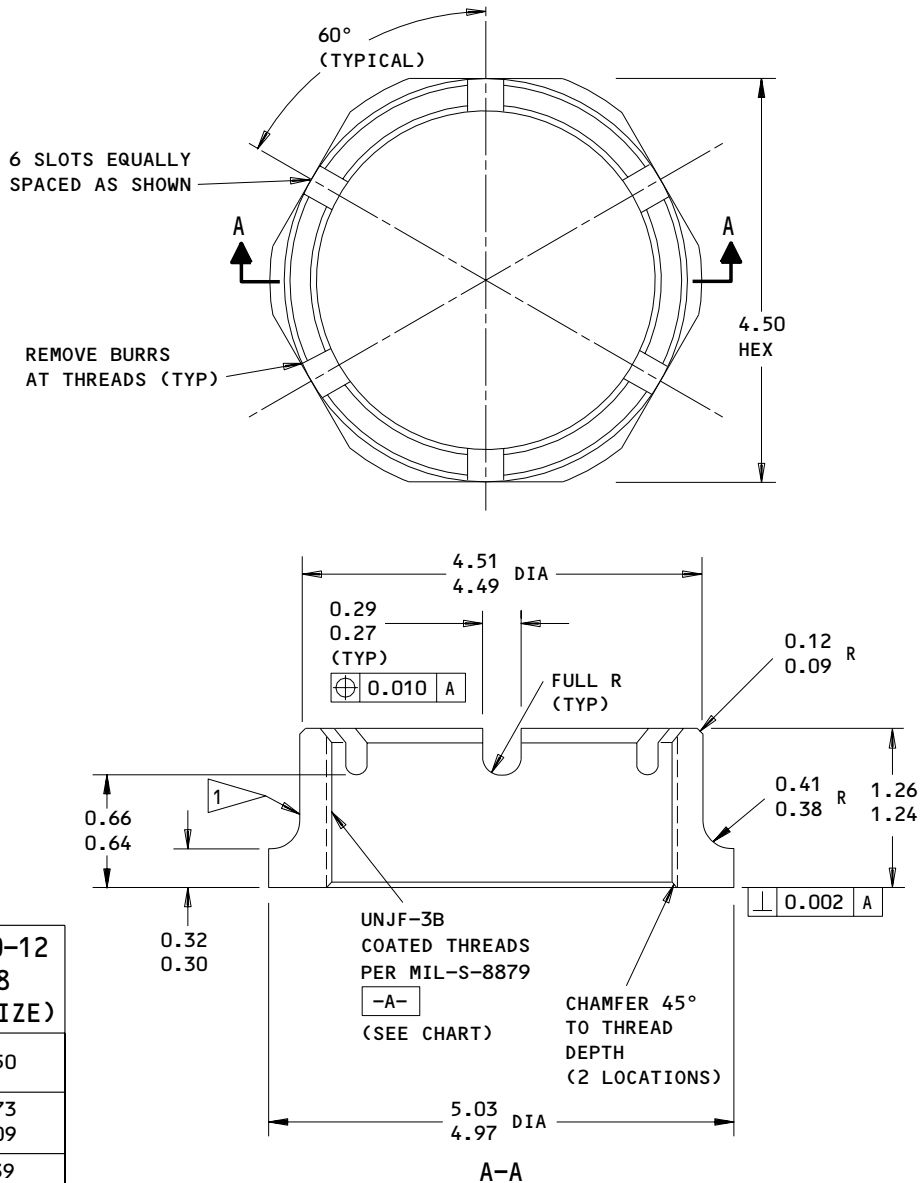
REPAIR 32-1

01.1

Page 601

Mar 01/99





UNJF-3B THREAD SIZE	4.000-12 (DESIGN) (REF)	3.8750-12 (1/8 UNDERSIZE)
MAJOR DIA (MIN)	4.0000	3.8750
PITCH DIA	3.9523 3.9459	3.8273 3.8209
MINOR DIA	3.9289 3.9189	3.8039 3.7939

**REFINISH**

CADMIUM PLATE (F-15.02). APPLY PRIMER AND ENAMEL PER CMM 32-00-02, BUT USE YELLOW ENAMEL ON NUTS WITH UNDERSIZE THREADS.

1 ON NUTS WITH UNDERSIZE THREADS, VIBRO-ENGRAVE "MATCHED SET - DO NOT SEPARATE" IN THIS LOCATION

**REPAIR**

125/ ALL MACHINED SURFACES UNLESS SHOWN DIFFERENTLY

BREAK SHARP EDGES 0.01-0.02 R UNLESS SHOWN DIFFERENTLY

MAGNETIC PARTICLE EXAMINE, CLASS B (SOPM 20-20-01)

MATERIAL: 4340 STEEL, 180-200 KSI

ALL DIMENSIONS ARE IN INCHES

REPLACES 161T1204-1  
 Undersize Nut Details  
 Figure 601

**32-11-20**

REPAIR 32-1

01.1

Page 602

Mar 01/99

HOUSING ASSEMBLY – REPAIR 33-1

161T1323-1

NOTE: Refer to REPAIR-GENERAL for a list of applicable standard practices.  
Refer to IPL Fig. 17 or 18 for item numbers.

1. Sleeve Replacement (Fig. 601)

- A. Remove the old sleeve.
- B. Install a replacement sleeve by the shrink-fit method with BMS 3-24 grease on mating surfaces.
- C. Make a check of the dimensions and machine them as necessary to the dimensions and finish shown.
- D. Apply grease at the lube fitting(s) until you see grease come out at the ID of the sleeve or the OD of the housing, as applicable, to be sure the lube passages are clear.

2. Lube Fitting Replacement

- A. Replace lube fittings (31) per CMM 32-00-03.

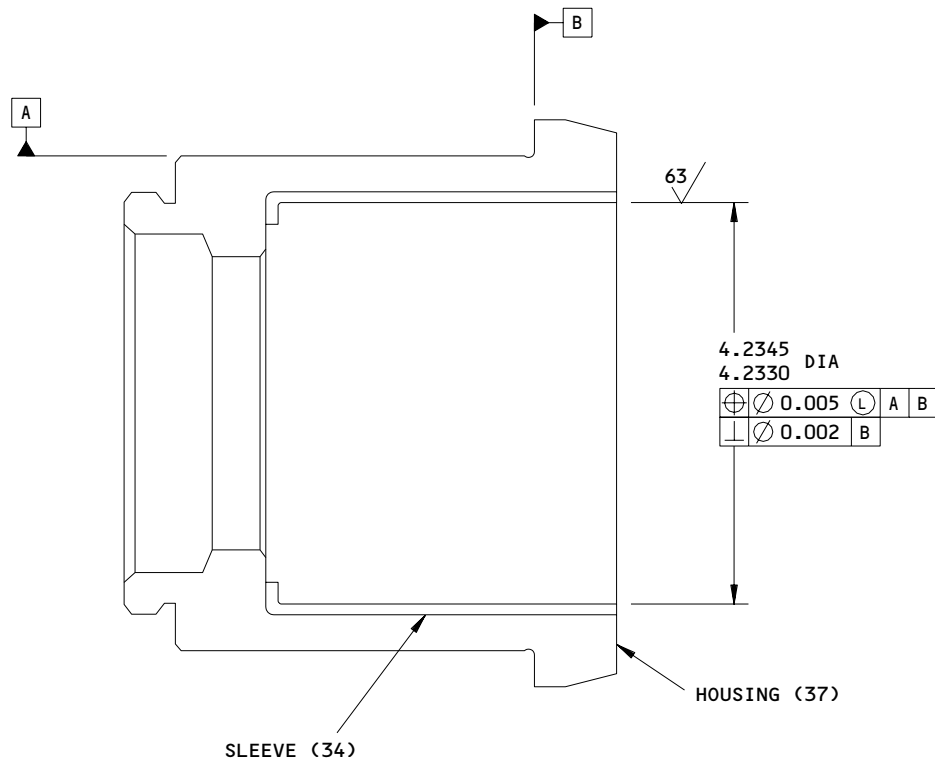
**32-11-20**

REPAIR 33-1

01.1

Page 601

Nov 01/99



161T1323-1  
 Housing Sleeve Replacement  
 Figure 601

**32-11-20**

REPAIR 33-1

Page 602

Nov 01/99

01.1

| HOUSING - REPAIR 33-2

161T1323-2

NOTE: Refer to REPAIR - GENERAL for a list of applicable standard practices.

1. Coating Repair (Fig. 601)

- A. Repair is only replacement of the original finish. Refer to Refinish for details.

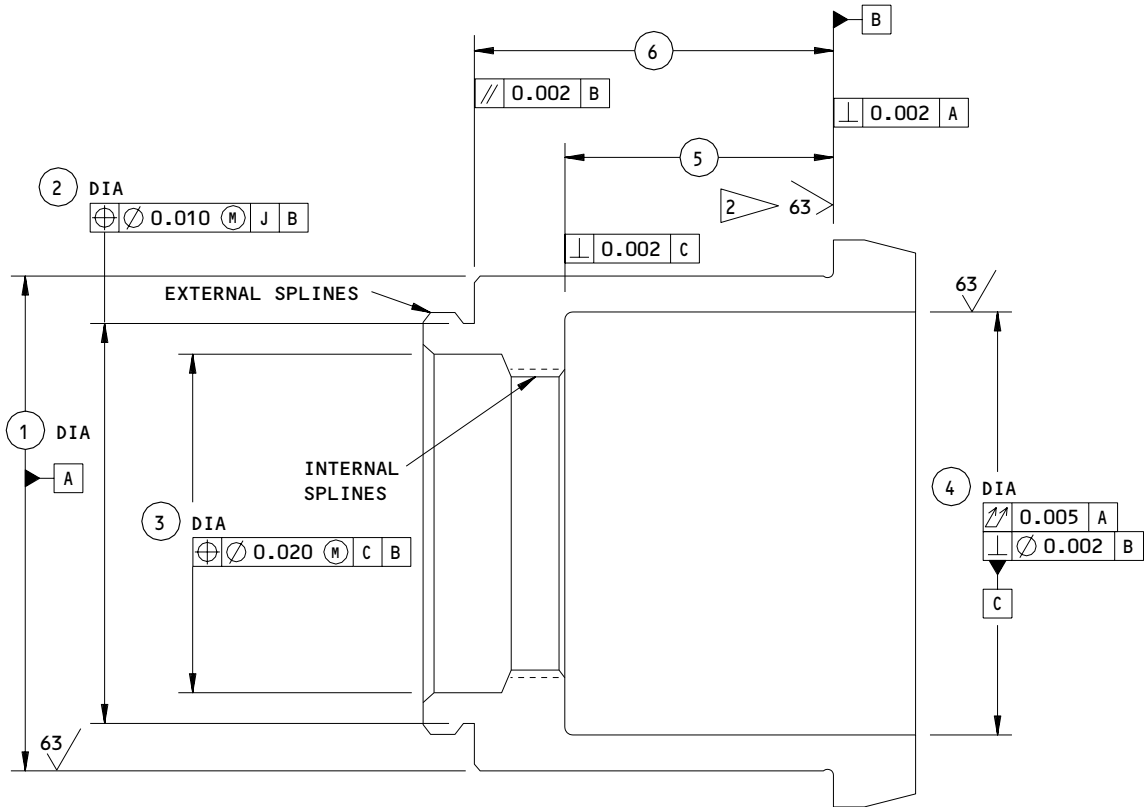
**32-11-20**

REPAIR 33-2

01.1

Page 601

Nov 01/01



	①	②	③	④	⑤	⑥
DESIGN DIM	5.249 5.247 1	4.283 4.279	3.635 3.615	4.4745 4.4730	2.815 2.810	3.752 3.751
REPAIR LIMIT	---	---	---	---	---	---

**REFINISH**

CHROME PLATE (F-15.34) DIAMETER -A-, 0.003-0.005 THICK AFTER GRINDING. PUT A 0.08 RUNOUT AT EDGES AND RELIEFS, AND AT 0.19-0.21 DIAMETER AROUND LUBE HOLES.

CHROME PLATE (F-15.43, WHICH REPLACES F-14.892) SURFACE -B-.

PASSIVATE (F-17.25, WHICH REPLACES F-17.09) OTHER SURFACES.

1 DIMENSION AFTER PLATING

2 SURFACE FINISH BEFORE SHOT PEEN. SURFACE FINISH AFTER PLATING MUST BE EQUAL TO OR SMOOTHER THAN SURFACE FINISH AFTER SHOT PEEN

**REPAIR**

(SAME AS REFINISH)

125 ALL MACHINED SURFACES UNLESS SHOWN DIFFERENTLY

BREAK SHARP EDGES 0.02-0.03 R

SHOT PEEN: 0.017-0.23 SHOT SIZE  
 0.016 A2 INTENSITY

MATERIAL: 15-5PH CRES, 180-200 KSI

DIMENSIONS APPLY BEFORE PLATING UNLESS SHOWN BY 1

ALL DIMENSIONS ARE IN INCHES

161T1323-2  
 Housing Repair and Refinish  
 Figure 601

**32-11-20**

REPAIR 33-2

Page 602

Nov 01/99

01.1

PIN ASSEMBLY – REPAIR 34-1

NOTE: Refer to REPAIR – GENERAL for a list of applicable standard practices.  
Refer to IPL FIG. 17 or 18 for item numbers.

1. Bushing Replacement (Fig. 601)

- A. Remove the old bushing.
- B. Install a replacement bushing by the shrink-fit method with BMS 3-24 grease on the mating surface. Make sure the ends of the bushing are not above the OD surfaces of the pin.
- C. Make a check of the dimensions and machine them as necessary to the dimensions and finish shown.

2. Coating Repair (Fig. 601)

- A. Repair is only replacement of the original finish. Refer to Refinish for details.

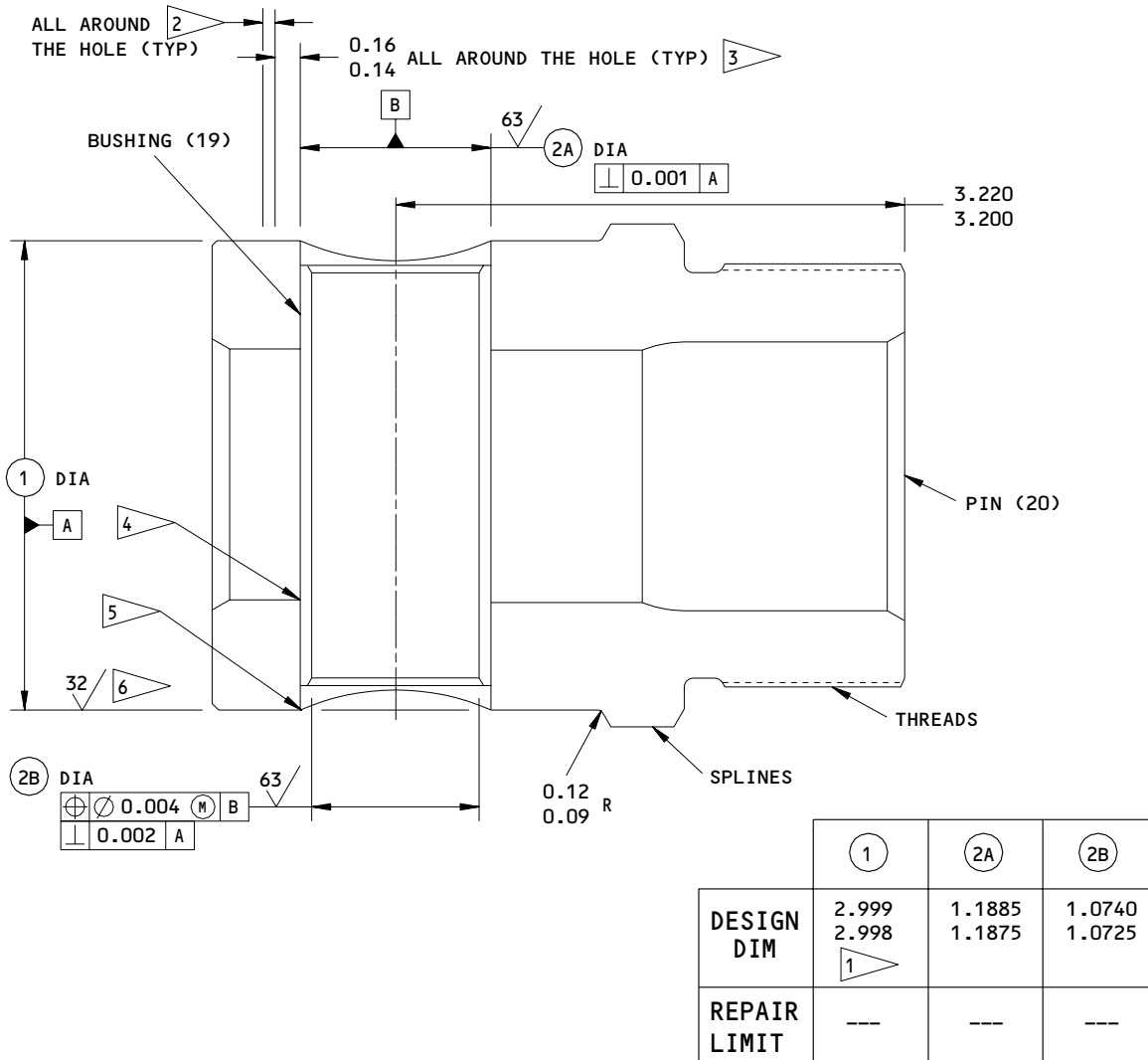
**32-11-20**

REPAIR 34-1

01.1

Page 601

Nov 01/99



**REFINISH**

CHROME PLATE (F-15.43 WHICH REPLACES F-14.892)  
 DIAMETER -A-, WITH A 0.08 RUNOUT AT EDGES.  
 PASSIVATE (F-17.25, WHICH REPLACES F-17.09)  
 OTHER SURFACES. APPLY BMS 3-8 SOLID FILM  
 LUBRICANT (F-19.10) TO SPLINES.

- 1 DIMENSION AFTER PLATING
- 2 CHROME PLATE RUNOUT
- 3 NO CHROME PLATE
- 4 BREAK THIS EDGE 0.06-0.09 R (TYP)
- 5 BREAK THIS EDGE 0.02-0.04 R (TYP)
- 6 SURFACE FINISH BEFORE SHOT PEEN. SURFACE FINISH AFTER PLATING MUST BE EQUAL TO OR SMOOTHER THAN SURFACE FINISH AFTER SHOT PEEN

**REPAIR**

(SAME AS REFINISH)

125/ ALL MACHINED SURFACES UNLESS SHOWN DIFFERENTLY

BREAK SHARP EDGES 0.02-0.03 R UNLESS SHOWN BY 4 5

MATERIAL: 15-5PH CRES, 180,200 KSI

DIMENSIONS APPLY BEFORE PLATING UNLESS SHOWN BY 1

ALL DIMENSIONS ARE IN INCHES

161T1326-1  
 Pin Assembly Repair and Refinish  
 Figure 601

**32-11-20**

REPAIR 34-1

01.1

Page 602

Nov 01/99

SHEAR PIN - REPAIR 35-1

161T1329-1

NOTE: Refer to REPAIR - GENERAL for a list of applicable standard practices.

1. Coating Repair (Fig. 601)

- A. Repair is only replacement of the original finish. Refer to Refinish for details.

**32-11-20**

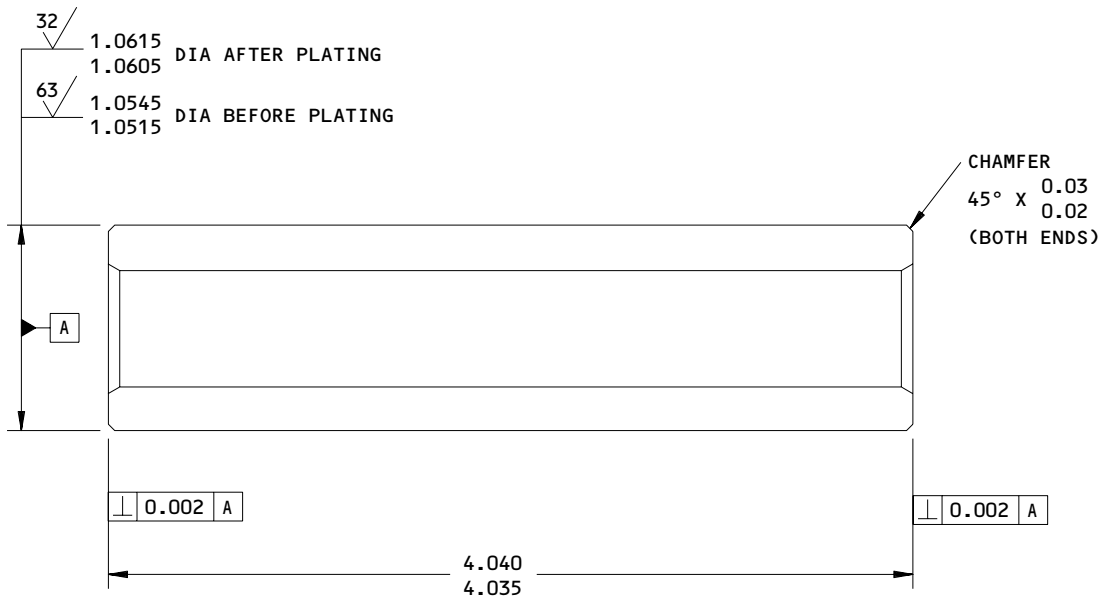
REPAIR 35-1

01.1

Page 601

Nov 01/99





**REFINISH**

CHROME PLATE (F-15.34) DIAMETER -A-, 0.003 MINIMUM THICK AFTER GRINDING. PUT A 0.08 PLATING RUNOUT AT EDGES. WIPE CHROME PLATE WITH PRIMER (F-19.45) ON ALL OTHER SURFACES, CADMIUM-TITANIUM PLATE (F-15.01) AND APPLY BMS 10-11 TYPE 1 PRIMER (F-20.03). THEN APPLY MIL-C-11796 CLASS 1 CORROSION PREVENTIVE COMPOUND (F-19.03) TO INSIDE DIAMETER SURFACES

**REPAIR**

(SAME AS REFINISH)

125/ ALL MACHINED SURFACES UNLESS SHOWN DIFFERENTLY

MATERIAL: 4340M STEEL, 275-300 KSI

ALL DIMENSIONS ARE IN INCHES

161T1329-1  
 Shear Pin Repair and Refinish  
 Figure 601

**32-11-20**

REPAIR 35-1

Page 602

Nov 01/99

01.1

ASSEMBLY

1. Materials

NOTE: Equivalent materials can be used.

- A. Hydraulic Fluid -- MIL-H-5606 or MIL-H-6083 (SOPM 20-60-03)
- B. Hydraulic Fluid Additive -- Lubrizol 1395 (SOPM 20-60-03)
- C. Grease -- BMS 3-33 or MIL-G-23827 (SOPM 20-60-03)
- D. Grease -- Royco 11MS (SOPM 20-60-03)
- E. Grease -- Aeroshell No. 5 (SOPM 20-60-03)
- F. Silicone Compound Lubricant -- MIL-S-21568 (VV-D-1078) Dow Corning DC-200 (SOPM 20-60-03)
- G. Sealant - BMS 5-26 (SOPM 20-60-04)
- H. Sealant -- BMS 5-95 (SOPM 20-60-04)
- I. Mylar Tape -- Scotch 5421 or Scotch Y-8412 (Replaces Mystik 7355) (SOPM 20-60-04)
- J. Solvent -- Aliphatic Naphtha TT-N-95 Type 1 (Replaces BMS 3-2 Type 1) (SOPM 20-60-01)
- K. Enamel - BMS 10-60, colors 101, 701 (SOPM 20-60-02)
- L. Protective Coating -- Type 41 (SOPM 20-60-03)
- M. Adhesive -- Types 44, 60 (SOPM 20-50-12)
- N. Corrosion preventive compound -- BMS 3-27 (SOPM 20-60-02)

**32-11-20**

ASSEMBLY  
Page 701  
Nov 01/05

01.1

- O. Corrosion preventive compound -- MIL-C-11796 Class 3 (SOPM 20-60-02)
- P. Corrosion preventive compound -- MIL-C-16173 Grade 2 (SOPM 20-60-02)

## 2. Equipment

NOTE: Equivalent substitutes can be used.

- A. F70312-29 -- Crowfoot wrench adapter, nut 161T6019
- B. F70312-32 -- Crowfoot wrench adapter, nut 161T2015
- C. F70312-46 -- Crowfoot wrench adapter, nut 161T1306
- D. A32007-17 -- Protector equipment, axle and axle thread (replaces A32007-16)
- E. A32012-13 -- Wrench, wheel retaining nut
- F. A32028-6 -- Retention strap, shock strut inner cylinder
- G. A32031-5 -- Turnbuckle, truck positioner actuator (replaces A32031-4, which supersedes A32031-1)
- H. A32033-17 -- Main gear sling
- I. A32056-1 -- Buildup stand (optional to B32056-1)
- J. A32069-1 -- Wrench adapter, antiskid transducer retainer nut
- K. B32050-1 -- Buildup fixture

## 3. Assembly

- A. Extend shock strut and top off with MIL-H-5606 or MIL-H-6083 hydraulic fluid. Do not remove air valve.

NOTE: Ensure that letter L is stenciled on strut adjacent to oil fill valve, to indicate that unit contains Lubrizol additive. Lubrizol need only be added at each complete filling (CMM 32-11-40).

- B. Apply a film of hydraulic fluid to exposed surfaces of inner cylinder.
- C. Compress shock strut and install retention strap A32028-6. Lift and install main gear assembly into buildup stand A32056-1 or B32050-1. Ensure that axle protectors A32007-17 are installed on exposed axle ends.

**32-11-20**

ASSEMBLY  
Page 702  
Jul 01/03

01.1

- D. Shock Strut Forward Trunnion End (Buildups thru 161T1000-782) (Fig. 701, IPL Fig. 17 or 18)

**NOTE:** For the procedure for buildups 161T1000-783 and on, refer to par. E. below.

**WARNING:** BMS 3-27 CORROSION PREVENTIVE COMPOUND CONTAINS ASBESTOS, TOLUENE, XYLENE, STRONTIUM CHROMATE AND BARIUM CHROMATE. CONSULT APPROPRIATE SAFETY STANDARDS PERSONNEL FOR PROPER HANDLING PRECAUTIONS.

**CAUTION:** BMS 3-27 COMPOUND IS USED ONLY IN STATIC JOINTS WHERE GREASE CANNOT BE APPLIED. BMS 3-27 IN DYNAMIC JOINTS WILL NOT LET THEM MOVE FREELY.

- (1) Apply a layer of BMS 3-27 compound to these areas of the outer cylinder forward trunnion: the OD chrome plated surface, all thrust faces, and all surfaces of the tabs.
- (2) Apply BMS 3-27 compound to the ID on the trunnion, aft to and including the thread relief. Fill all threads over the tops and into the roots.
- (3) Fill the outer cylinder thread relief cavity with MIL-C-11796 Class 1 corrosion preventive compound. Apply this over the BMS 3-27 compound, make it overlap onto the MIL-C-11796 compound that was there, and make it go aft to the tapered bore.

**CAUTION:** MAKE SURE THE CASTELLATIONS OF THE RETAINING RING ARE ENGAGED WITH THE SLOTS IN THE HOUSING BEFORE YOU INSTALL AND TIGHTEN THE RETAINING BOLT. IF THEY ARE NOT ENGAGED CORRECTLY, THERE WILL BE A LARGE GAP, APPROXIMATELY 3/8 INCH, BETWEEN THE RACE AND THE RETAINING RING. REFER TO SB 32A0157 FOR MORE DETAILS.

- (4) Install the 161T1303 housing with the lube fittings turned inboard or (optional) down.
- (5) Make sure the BMS 3-27 compound squeezes out all around the aft end of the housing.

**32-11-20**

ASSEMBLY  
Page 703  
Jul 01/03

01.101

- (6) Fill the cavities between the trunnion tabs and the housing slots with BMS 3-27 compound, up to the ends of the tabs.
- (7) Install the H-block with the 161T1301 inner bearing race. Make sure the H-block is safely attached.
- (8) Apply BMS 5-95 sealant to the flange and tabs of the 161T1305 retaining ring. Do not let the sealant get on the ring surface that will be an overlap with the 161T1301 race. The sealant is permitted to squeeze out.
- (9) Apply a sufficient quantity of BMS 5-95 sealant on the 161T1305 ring to fill its undercut.
- (10) Install the retaining ring.
- (11) Fill with BMS 5-95 sealant the remaining gaps between the retaining ring tabs and the housing slots.
- (12) Apply BMS 5-95 sealant and BMS 3-27 compound to the 161T1306 retaining bolt, as shown. Be sure to fill the threads (over their tops and into their roots) and the thread relief with BMS 3-27 compound. Apply a sufficient quantity of BMS 5-95 sealant to the radius of the bolt head flange to let it fill the chamfer in the 161T1305 ring when it is installed.
- (13) Install the 161T1306 retaining bolt. Tighten it to 15-20 pound-feet. Back off if necessary to align the lock bolt holes with those in the retaining ring.
- (14) Remove unwanted sealant from the holes in the head of the bolt which will be used. Then install the two lockbolts with their washers.
- (15) Measure the gap between the retaining ring and the inner race, and between the housing face and the inner race. If the sum of these gaps is more than 0.249 inch, adjust or repair the joint as necessary. Refer to SB 32A0157 for details.
- (16) Fill the remaining four holes in the 161T1305 retaining ring with BMS 5-95 sealant, as shown.
- (17) Apply a fillet of BMS 5-95 sealant between the flange of the 161T1306 bolt and the 161T1305 ring.
- (18) Apply a layer of MIL-C-11796 Class 1 corrosion preventive compound, 1/8 inch minimum thick, to the ID and chamfer of the 161T1306 bolt. Make this compound overlap onto the MIL-C-11796 compound you applied in step (3) above. Make sure this compound is all around the aft end of the 161T1306 bolt.
- (19) Install lockwire.

**32-11-20**

ASSEMBLY  
Page 704  
Jul 01/98

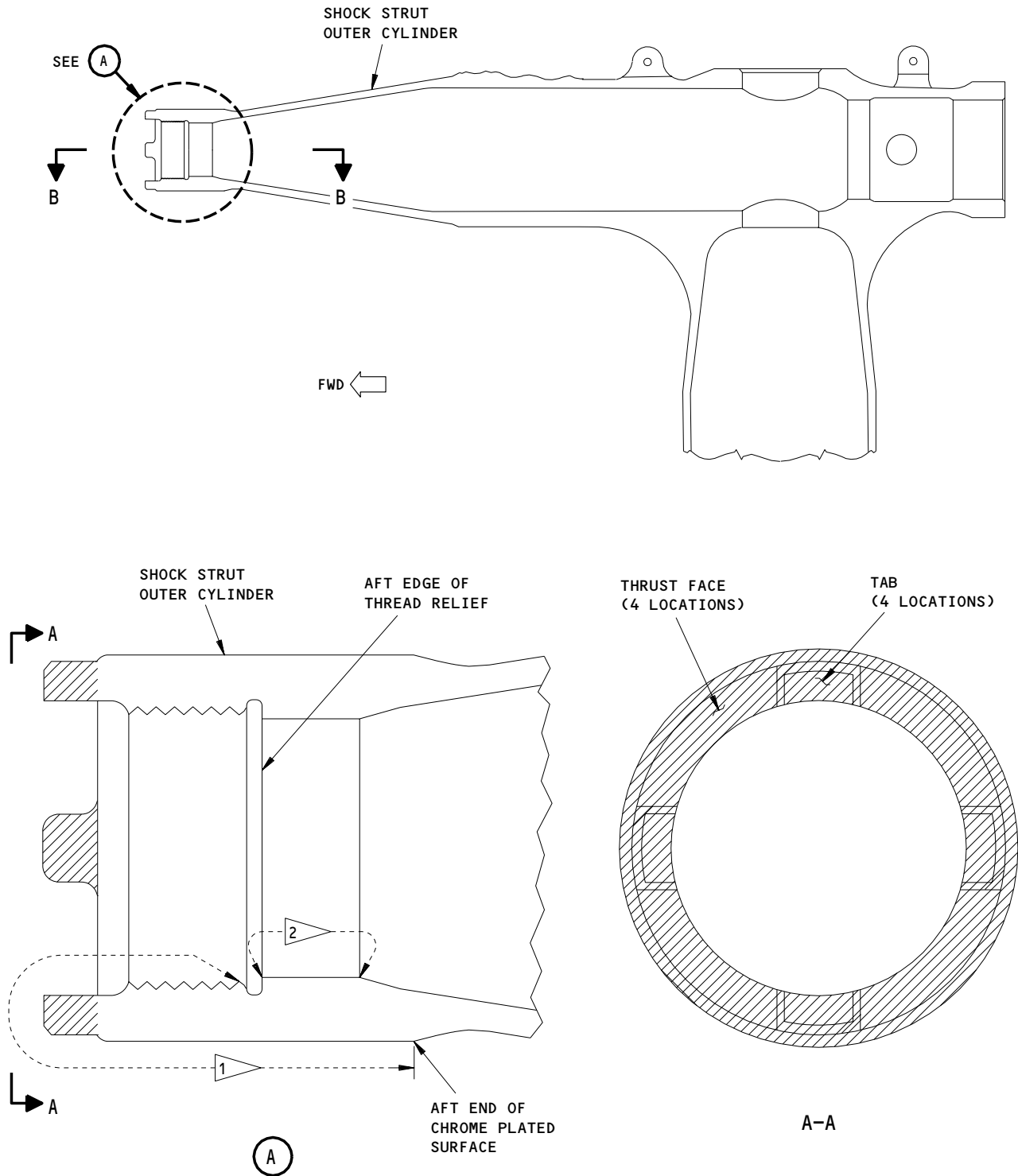
01.1

- | (20) Seal the heads of the retaining bolts and their washers.
- | (21) Remove the BMS 3-27 compound which squeezed out from around the flange of the 161T1303 housing.
- | (22) Apply a fillet seal of BMS 5-95 sealant between the aft end of the 161T1303 housing and the outer cylinder. Be sure to cover the sleeve in the housing.

**32-11-20**

ASSEMBLY  
Page 705  
Mar 01/98

01.1

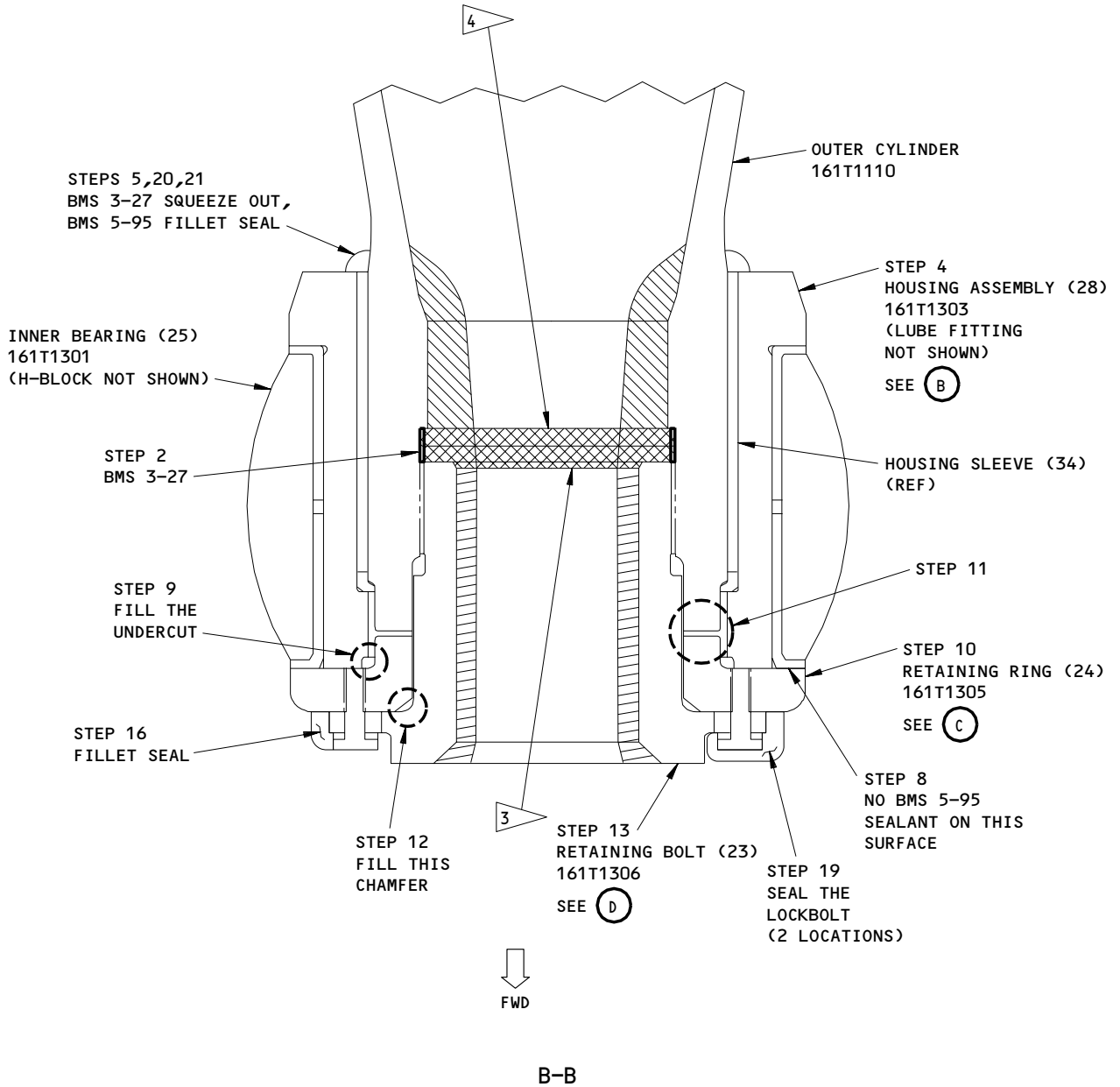


161T1000-153 Thru -782  
 Shock Strut Forward Trunnion End Details  
 Figure 701 (Sheet 1)

**32-11-20**

ASSEMBLY  
 Page 706  
 Nov 01/99

01.1



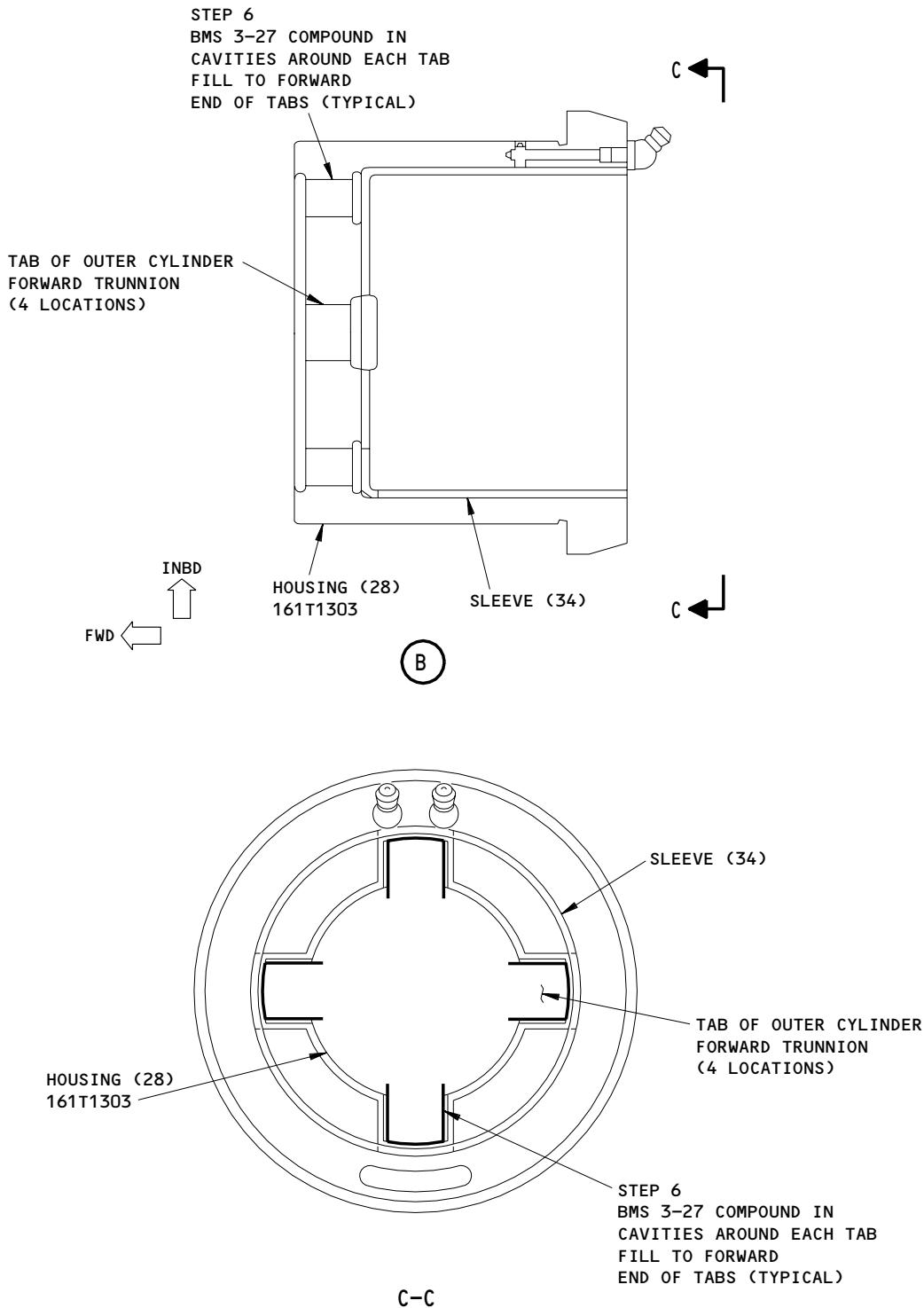
161T1000-153 Thru -782  
Shock Strut Forward Trunnion End Details  
Figure 701 (Sheet 2)

32-11-20

ASSEMBLY  
Page 707  
Nov 01/99

01.1



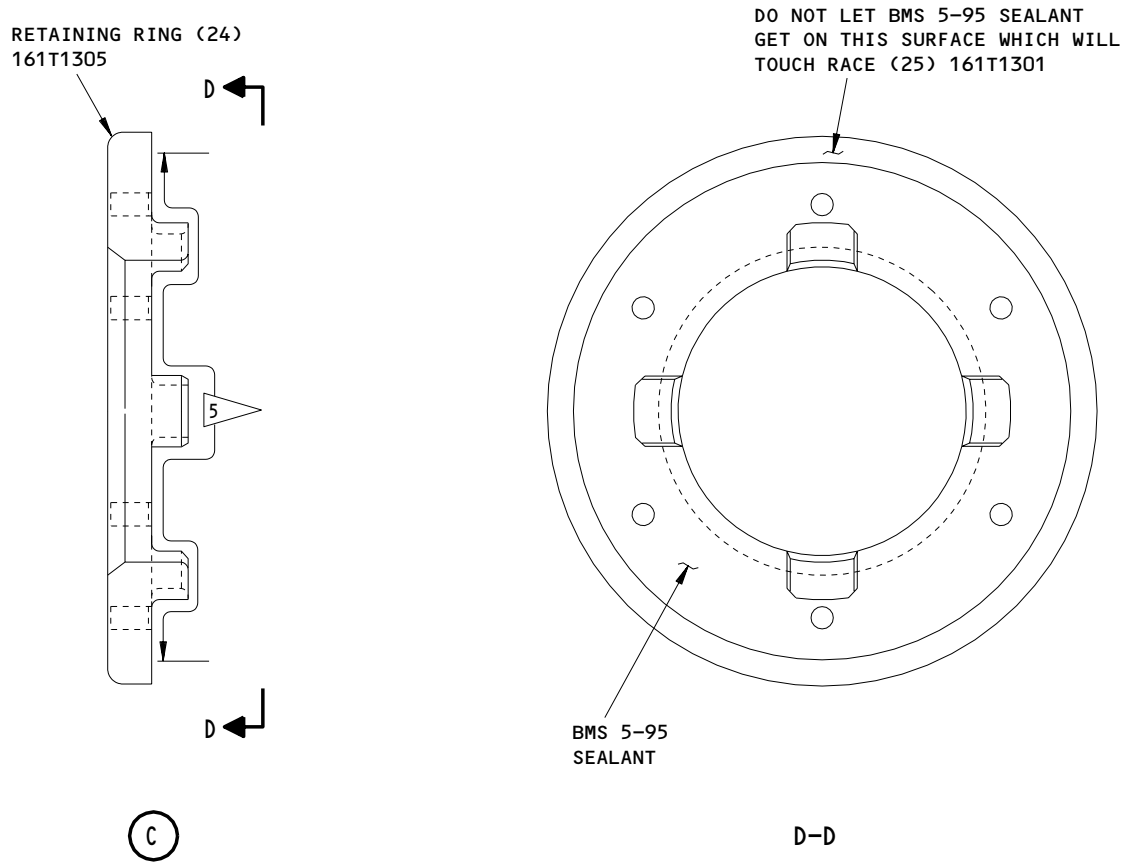


161T1000-153 Thru -782  
 Shock Strut Forward Trunnion End Details  
 Figure 701 (Sheet 3)

**32-11-20**

ASSEMBLY  
 Page 708  
 Nov 01/99

01.1

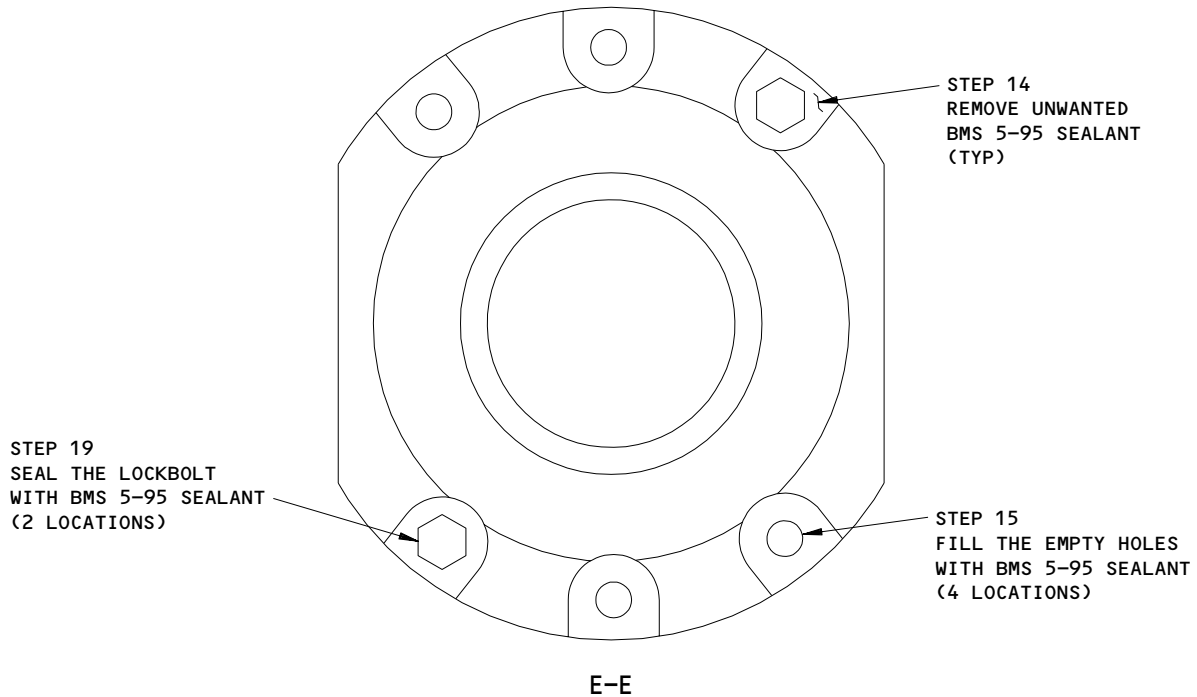
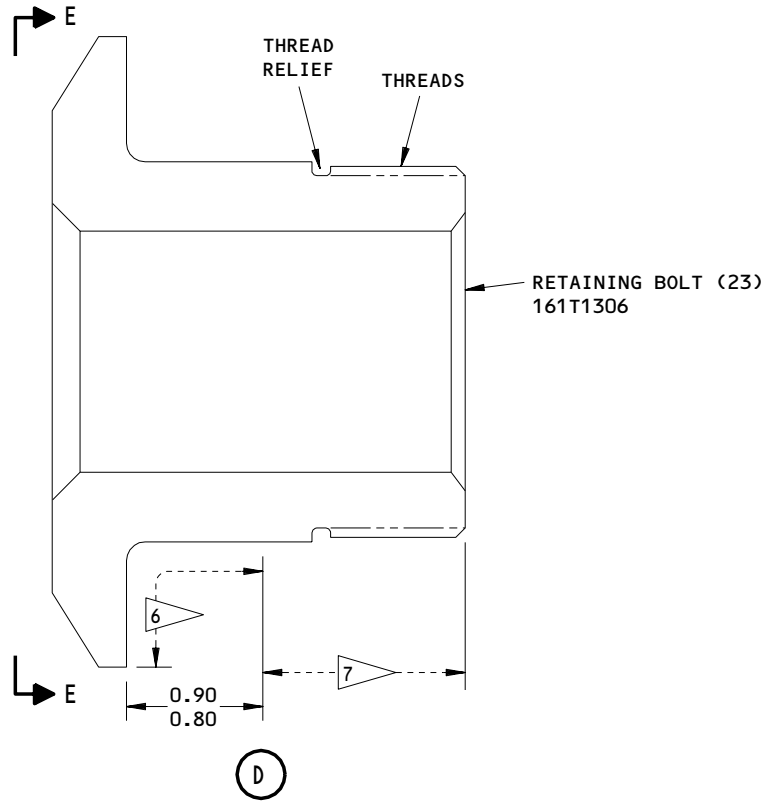


161T1000-153 Thru -782  
Shock Strut Forward Trunnion End Details  
Figure 701 (Sheet 4)

**32-11-20**

ASSEMBLY  
Page 709  
Nov 01/99

01.1



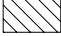



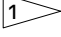
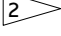
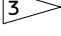
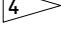
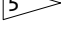
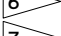

**E-E**  
 161T1000-153 Thru -782  
 Shock Strut Forward Trunnion End Details  
 Figure 701 (Sheet 5)

**32-11-20**

ASSEMBLY  
 Page 710  
 Nov 01/99

01.1

-  BMS 3-27 CORROSION PREVENTIVE COMPOUND
-  MIL-C-11796 CLASS 1 CORROSION PREVENTIVE COMPOUND (STEP 17)
-  MIL-C-11796 CLASS 1 CORROSION PREVENTIVE COMPOUND (STEP 3)
-  OVERLAP (STEP 3 AND 17)

-  1 APPLY BMS 3-27 CORROSION PREVENTIVE COMPOUND (STEPS 1 AND 2)
-  2 MIL-C-11796 CLASS 1 CORROSION PREVENTIVE COMPOUND (STEP 3)
-  3 AFT END OF RETAINING BOLT 161T1306 (STEP 17)
-  4 AFT END OF OUTER CYLINDER THREAD RELIEF (STEPS 3 AND 17)
-  5 BMS 5-95 SEALANT ON FLANGE AND TABS (STEPS 8 AND 9)
-  6 BMS 5-95 SEALANT ON FLANGE (STEP 12)
-  7 BMS 3-27 CORROSION PREVENTIVE COMPOUND (STEP 12)

ALL DIMENSIONS ARE IN INCHES

161T1000-153 Thru -782  
Shock Strut Forward Trunnion End Details  
Figure 701 (Sheet 6)

**32-11-20**

ASSEMBLY  
Page 711  
Nov 01/99

01.1

E. Shock Strut Forward Trunnion End (Fig. 701A, IPL Fig. 17 or 18)

NOTE: For the procedures for buildups 161T1000-153 thru -782, refer to par. D above.

- (1) Apply BMS 10-11 type 1 primer to the crossbolt holes in the outer cylinder trunnion end as shown by flagnote 1.
- (2) Apply BMS 3-27 corrosion preventive compound inside the outer cylinder trunnion end as shown by flagnote 2.
- (3) Install pin assembly 161T1326, then shear pin 161T1329.
  - (a) Apply BMS 3-27 compound to the pin as shown by flagnotes 4 and 5.
  - (b) Install the pin assembly.
  - (c) Install shear pin 161T1329 with BMS 3-27 compound on mating surfaces.
  - (d) Fill the ID of the shear pin and the adjacent spaces flush to the outer cylinder OD with BMS 3-27 compound as shown by flagnote 5.
- (4) Install housing assembly 161T1323.
  - (a) Apply BMS 3-27 compound to Diameter X, the 4.23-inch outer cylinder OD. Apply a sufficient amount of the compound to fill all of these gaps, as shown by flagnote 6, after the housing is installed:
    - 1) between the bushing flanges of the outer cylinder, of the housing assembly.
    - 2) between the outer cylinder OD chamfer and the housing assembly bushing fillet radius.
  - (b) Fill the indicated area up to and including the internal splines as shown by flagnote 7.
  - (c) Install the housing with the lube fittings turned as shown.
- (5) Install inner bearing 161T1301.
  - (a) Apply a layer of MIL-G-23827 grease to the bushing faces and the ID.
  - (b) Install the bearing on the housing.
  - (c) Wipe off unwanted grease.

**32-11-20**

ASSEMBLY  
Page 712  
Nov 01/99

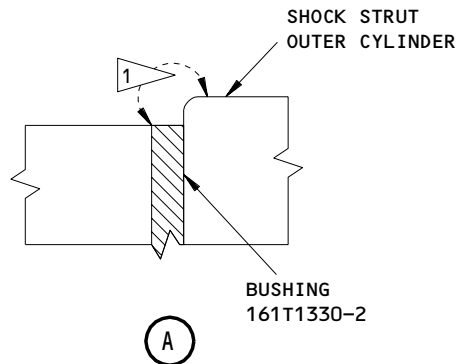
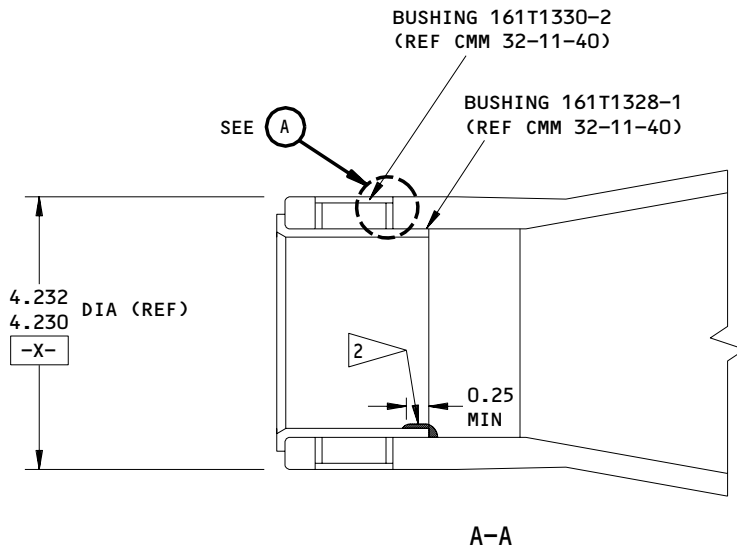
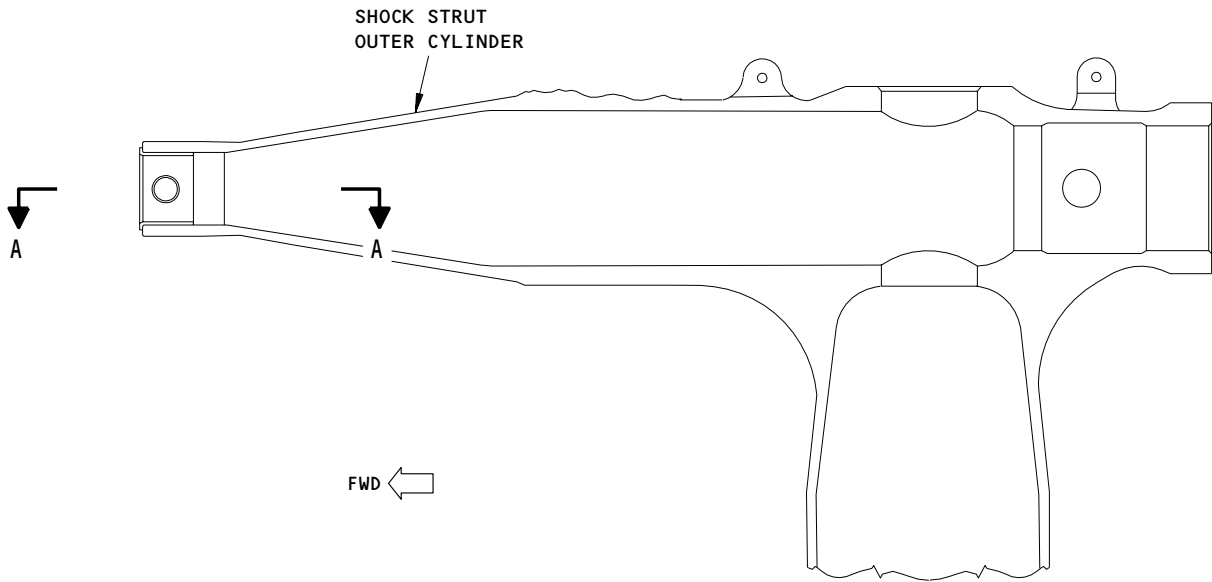
01.1

- (6) Install splined washer 161T1325.
  - (a) Fill the housing external splines and the adjacent relief with BMS 3-27 compound as shown by flagnote 8.
  - (b) Apply BMS 3-27 compound to the mating surfaces of the washer and the bearing and housing, and to the internal splines of the washer.
  - (c) Install the washer.
- (7) Install nut 161T1327.
  - (a) Apply sufficient BMS 3-27 compound to the areas shown by flagnote 9, to be sure they will be filled with the compound after the nut is installed.
  - (b) Fill the threads of the pin assembly and of the nut with BMS 3-27 compound, as shown by flagnote 10.
  - (c) Install the nut and tighten it to 15-20 lb-ft. Back off the nut, if necessary, to align the holes for the lockbolts.
  - (d) Remove unwanted BMS 3-27 compound from around the joint.
  - (e) Install 2 hex bolts and lockwire them together by the double twist method of SOPM 20-50-02.
- (8) Apply sealant.
  - (a) Remove the squeezed-out BMS 3-27 compound at the flanged end of the housing.
  - (b) Clean the area with solvent.
  - (c) Apply a fillet of BMS 5-95 sealant per SOPM 20-50-19 all around the housing and out from the OD edge of the housing sleeve, as shown by flagnote 11.

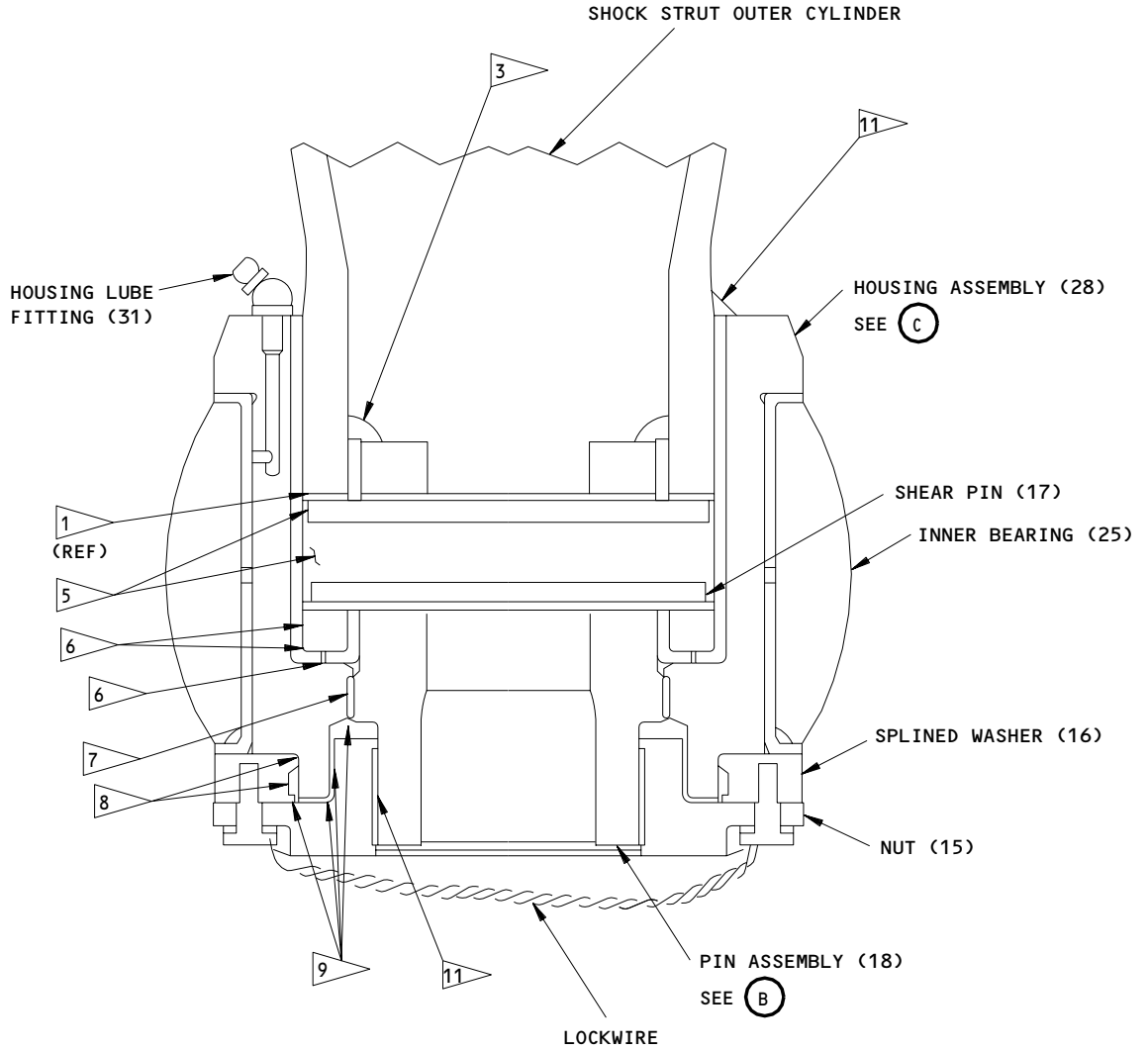
**32-11-20**

ASSEMBLY  
Page 713  
Nov 01/99

01.1



161T1000-783 And On  
 Shock Strut Forward Trunnion End Details  
 Figure 701A (Sheet 1)



161T1000-783 And On  
Shock Strut Forward Trunnion End Details  
Figure 701A (Sheet 2)

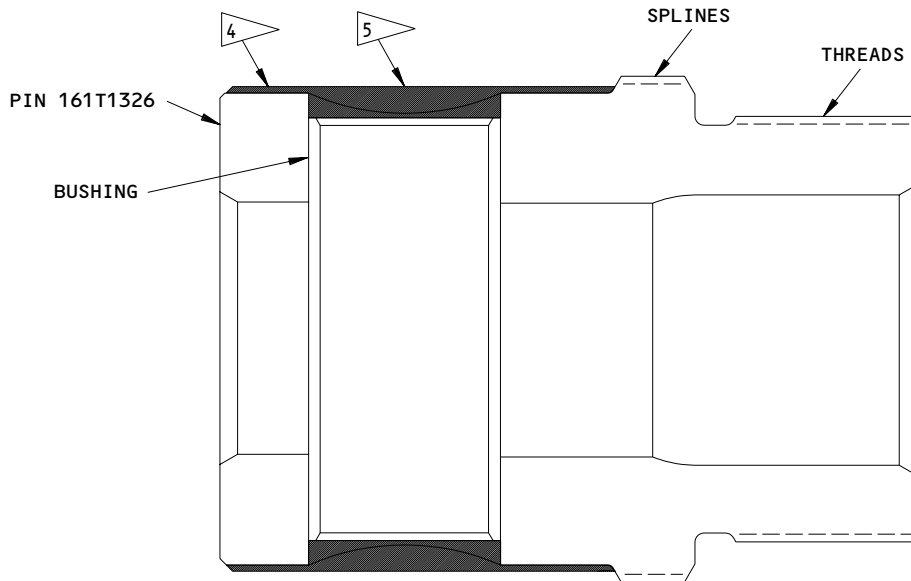
**32-11-20**

ASSEMBLY  
Page 715  
Nov 01/99

01.1

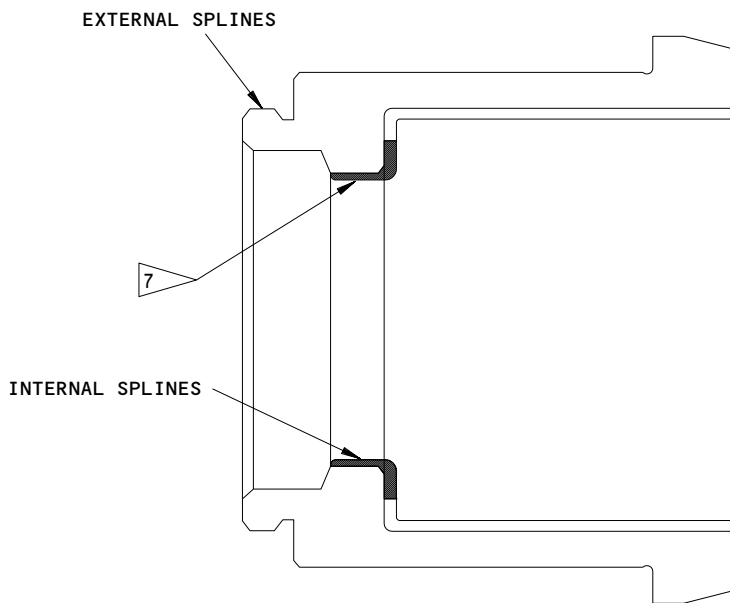
K58577





PIN ASSEMBLY 161T1326 (STEP 3)

(B)



HOUSING ASSEMBLY 161T1323

(C)

161T1000-783 And On  
Shock Strut Forward Trunnion End Details  
Figure 701A (Sheet 3)

**32-11-20**

ASSEMBLY  
Page 716  
Nov 01/99

01.1

- 1 > APPLY BMS 10-11 TYPE 1 PRIMER (STEP 1)
- 2 > APPLY BMS 3-27 CORROSION PREVENTIVE COMPOUND (STEP 2). BE SURE TO APPLY A SUFFICIENT QUANTITY TO MAKE A CONTINUOUS INSIDE DIAMETER FILLET AFTER PIN 161T1326 IS INSTALLED AS SHOWN BY 3 >
- 3 > FILLET OF BMS 3-27 COMPOUND AFTER PIN 161T1326 IS INSTALLED
- 4 > APPLY BMS 3-27 COMPOUND (STEP 3)
- 5 > FILL THIS AREA WITH BMS 3-27 COMPOUND (STEP 3)
- 6 > GAPS TO BE FILLED WITH BMS 3-27 COMPOUND AFTER THE HOUSING IS INSTALLED (STEP 4)
- 7 > FILL THESE SPACES WITH BMS 3-27 COMPOUND (STEP 4)
- 8 > FILL THESE SPACES WITH BMS 3-27 COMPOUND (STEP 6)
- 9 > AREAS TO BE FILLED WITH BMS 3-27 COMPOUND AFTER NUT 161T1327 IS INSTALLED
- 10 > FILL THE THREADS OF THE PIN AND THE NUT WITH BMS 3-27 COMPOUND (STEP 7)
- 11 > BMS 5-95 SEALANT (STEP 8)

161T1000-783 And On  
Shock Strut Forward Trunnion End Details  
Figure 701A (Sheet 4)

**32-11-20**

ASSEMBLY  
Page 717  
Nov 01/99

01.1

F. Downlock Actuator Fitting (Fig. 702, IPL Fig. 17 or 18)

- (1) Install fittings (40, 43) on lugs on shock strut outer cylinder.
- (2) Install bolts (46, 58) with wet sealant BMS 5-95, washers (52, 64), nuts (55, 67) on fitting (43). Tighten bolt (46) to 35-40 pound-feet. Tighten bolt (58) to 50-55 pound-feet.
- (3) Install bolts (49, 61) with wet sealant BMS 5-95 on fitting (40). Coat faying surfaces of fitting (40) and door fittings (85, 88) with sealant BMS 5-95, then install on bolts. Install washers (52, 64) and nuts (55, 67). Tighten bolt (49) to 35-40 pound-feet. Tighten bolt (61) to 50-55 pound-feet.

G. Drag Strut/Side Strut Downlock Fittings (Fig. 703, IPL Fig. 17 or 18)

- (1) Lubricate bolt shanks, threads, washer and bushing flanges with BMS 3-33 or MIL-G-23827 grease as parts are installed.
- (2) Install fitting (140) on shock strut lugs with bracket (122), bolts (146, 155), washers (149, 158, 161), nuts (152, 164), and pins (134, 191).
  - (a) Measure and make a note of the gap at the upper and lower joint between the bushings of the downlock fitting and the outer cylinder.
  - (b) Install a temporary shim between the bushing flanges at the upper and lower joints. Use a shim thickness equal to the gap measured in step (a).
  - (c) Tighten the upper bolt to 65-70 pound-feet. Then back off the upper nut to the nearest castellation and remove the temporary shim.

**32-11-20**

ASSEMBLY  
Page 718  
Jul 01/03

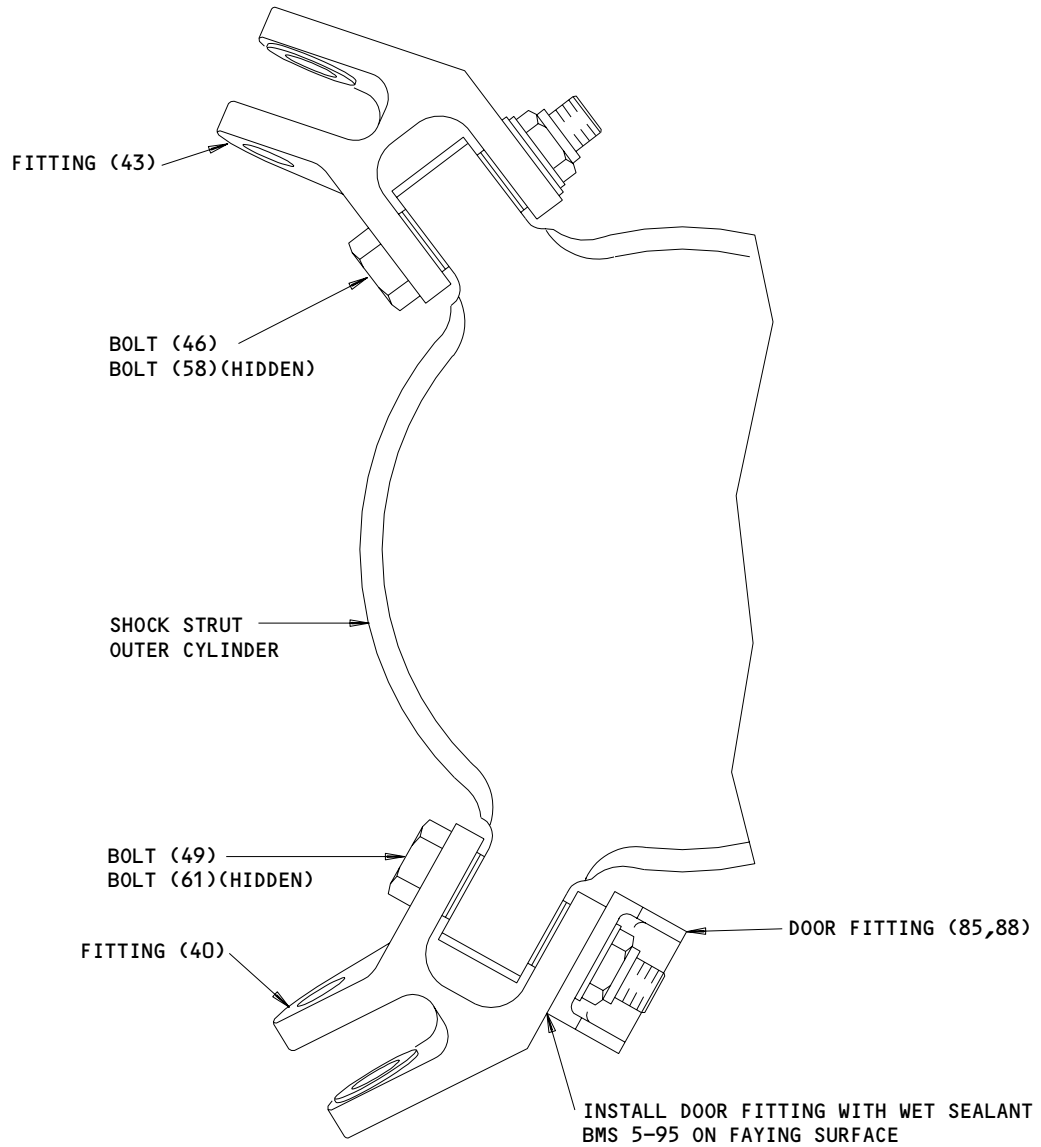
01.1

- (d) Tighten the lower bolt to 50–55 pound feet. Back off the lower nut as necessary to remove the temporary shim, but do not back off the nut more than 60 degrees (1/6 turn).
- | (e) Install the cotter pins (S0PM 20–50–02).
- (3) Install fitting (194) on shock strut lugs with bracket (128), bolts (102, 200), washers (113, 116, 203), nut (119, 206), and pins (137, 188).
  - (a) Measure and make a note of the gap at the upper and lower joint between the bushings of the downlock fitting and the outer cylinder.
  - (b) Install a temporary shim between the bushing flanges at the upper and lower joints. Use a shim thickness equal to the gap measured in step (a).
  - (c) Tighten the upper bolt to 65–70 pound-feet. Then back off the upper nut to the nearest castellation and remove the temporary shim.
  - (d) Tighten the lower bolt to 50–55 pound feet. Back off the lower nut as necessary to remove the temporary shim, but do not back off the nut more than 60 degrees (1/6 turn).
  - | (e) Install the cotter pins (S0PM 20–50–02).

**32-11-20**

ASSEMBLY  
Page 719  
Nov 01/04

01.1



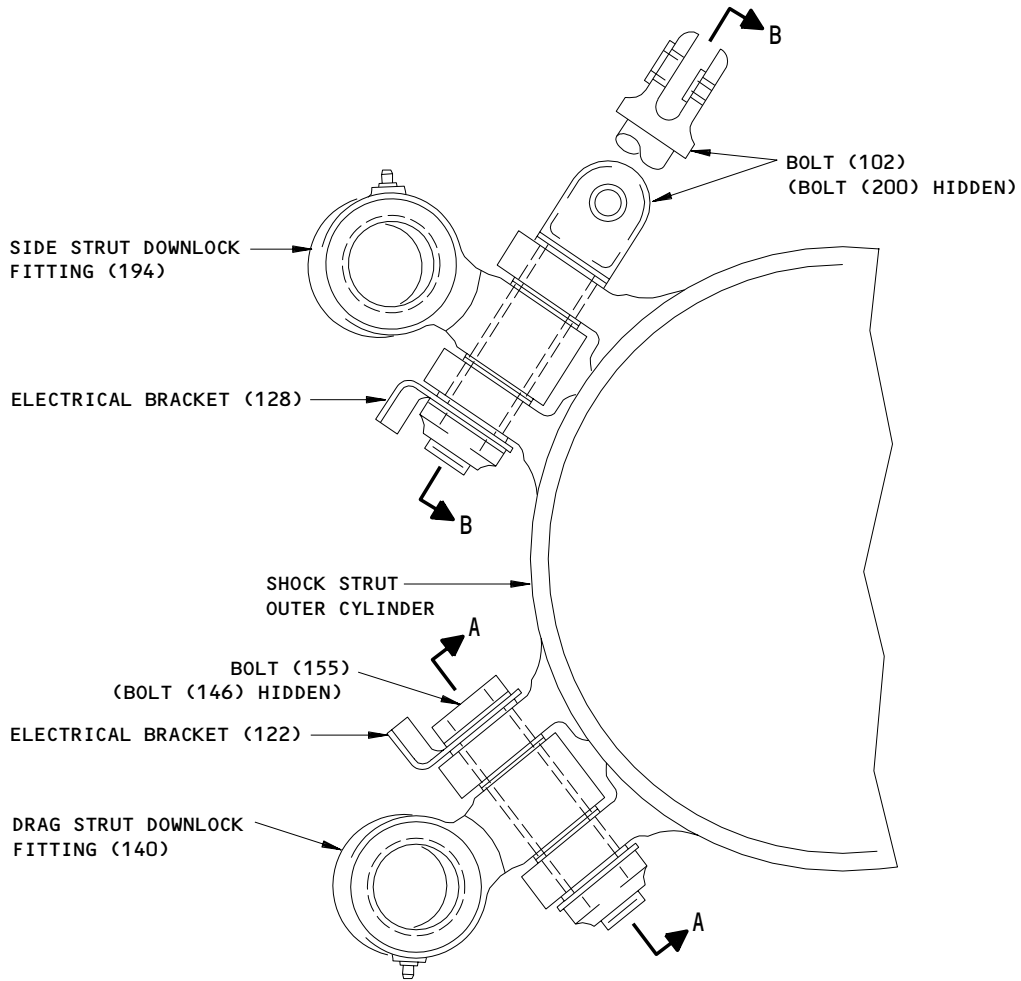
ITEM NUMBERS REFER TO IPL FIG. 17 OR 18

Downlock Actuator Fitting Installation Details  
Figure 702

**32-11-20**

ASSEMBLY  
Page 720  
Jul 01/02

01.101



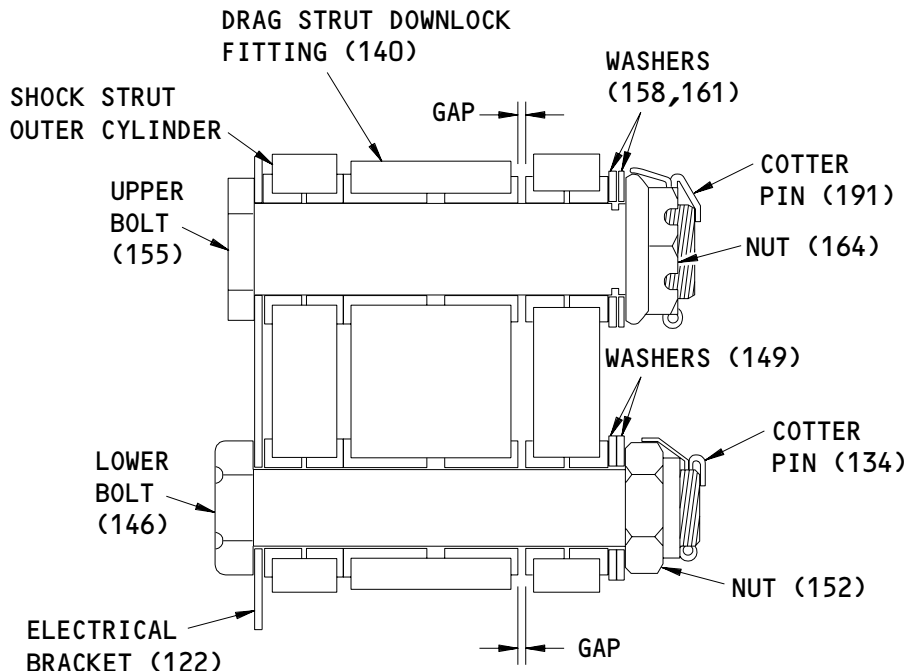
ITEM NUMBERS REFER TO IPL FIG. 17 OR 18

Drag Strut/Side Strut Downlock Fitting Installation Details  
Figure 703 (Sheet 1)

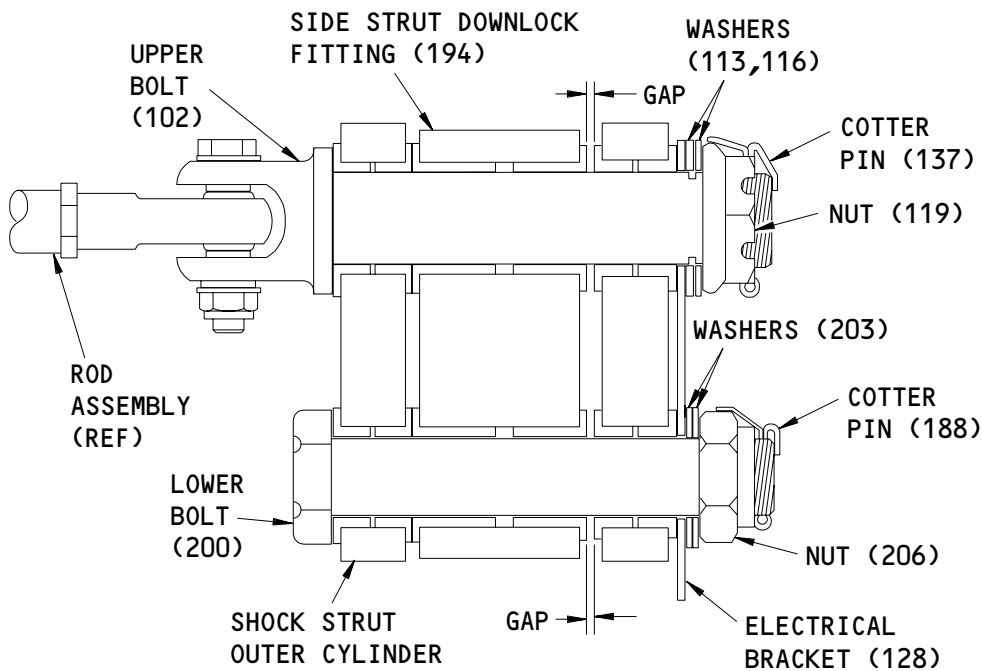
**32-11-20**

ASSEMBLY  
Page 721  
Jul 01/02

01.1



**DRAG STRUT  
 A-A**



**SIDE STRUT  
 B-B**

ITEM NUMBERS REFER TO IPL FIG. 17 OR 18

**Drag Strut/Side Strut Downlock Fitting Installation Details  
 Figure 703 (Sheet 2)**

**32-11-20**

ASSEMBLY  
 Page 722  
 Jul 01/02

01.1

H. Side Strut/Drag Strut Lower Spindles (Fig. 704, IPL Fig. 17 or 18)

**CAUTION:** THESE SPINDLES AND THEIR MATING NUTS COULD HAVE UNDERSIZE THREADS AND BE MATCHED PARTS.

- (1) Lubricate spindle (230) shank, mating bore in shock strut, threads, bushing flanges, washer faces, bolts, and nuts with BMS 3-33 or MIL-G-23827 gease as parts are installed.
- (2) Install spindle (230) into lug in shock strut. Install washer (305), nut (302). Tighten nut (302) to 250-300 pound-feet, back off, then insert gage to obtain 0.003-0.005-inch clearance as shown. If necessary, back off to nearest possible locking position, then install bolts (233), washers (236), nuts (239).
- (3) Install spindle (320) into lug in shock strut. Install washer (335), nut (332). Tighten nut (332) to 250-300 pound-feet, back off, then insert gage to obtain 0.003-0.005-inch clearance as shown. If necessary, back off to nearest possible locking position; then install bolts (323), washers (326), nuts (329).

I. Truck Positioner (Fig. 705)

**NOTE:** Refer to IPL Fig. 2 for item numbers, except as noted.

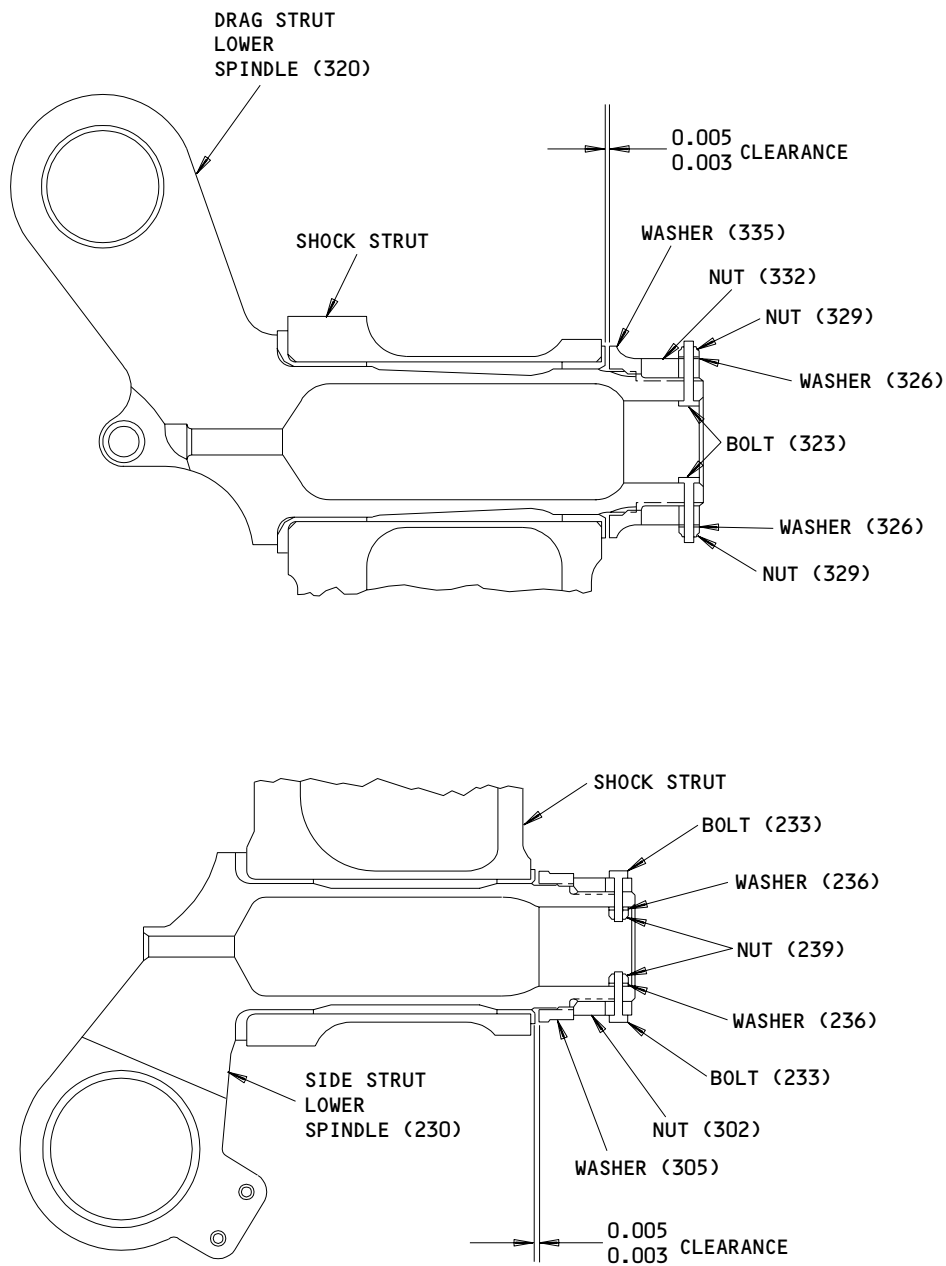
- (1) Lubricate pin shank, bushing and washer faces, and other areas with BMS 33-3 or MIL-G-23827 grease as noted in Fig. 705.
- (2) If installed, remove the A32031 truck positioner turnbuckle, but first be sure to give sufficient suport for members, to prevent relative movement.
- (3) Install truck positioner assembly (866) and hose support (841) on bogie beam with pin (829), washers (832, 838), bolt (823). Tighten bolt (823) to 585-715 pound-inches.
- (4) Install other end of truck positioner on shock strut with bolt (353), washer (362), nut (365), pin (350) (IPL Fig. 17 or 18).
- (5) Coat shank of bolt (826) with wet sealant BMS 5-26. Install retainer (859) with bolt (826), in support (841). Tighten bolt to 180-220 pound-inches. Fill cavity in support of opposite end of bolt (826) with sealant BMS 5-26.

**32-11-20**

ASSEMBLY  
Page 723  
Jul 01/03

01.1





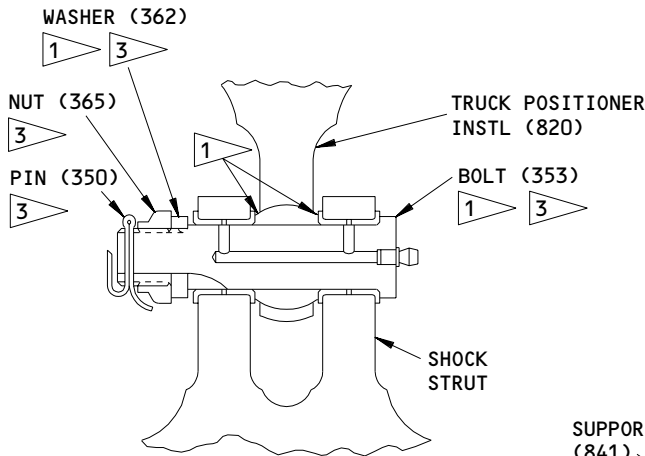
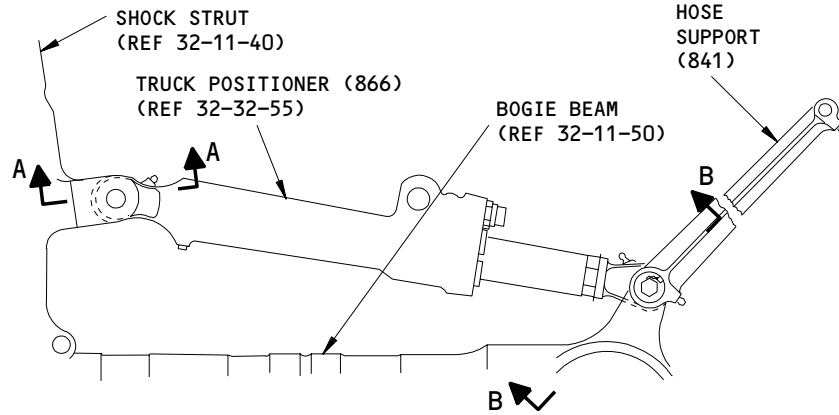
ITEM NUMBERS REFER TO IPL FIG.17 OR 18  
 ALL DIMENSIONS ARE IN INCHES

Side Strut/Drag Strut Lower Spindle Installation Details  
 Figure 704

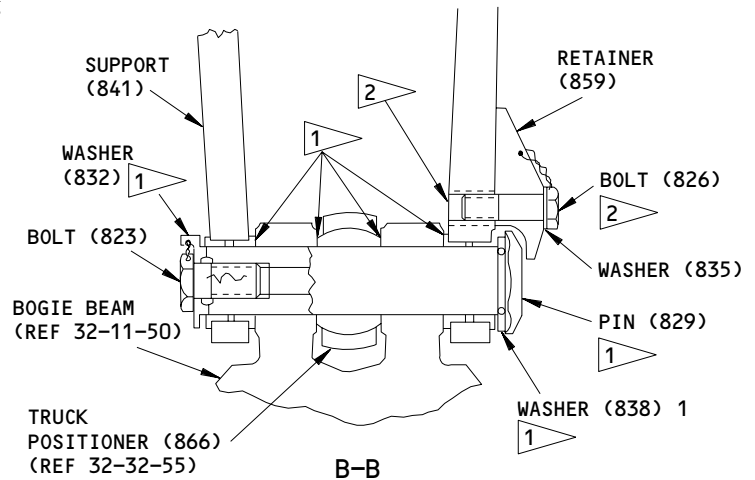
**32-11-20**

ASSEMBLY  
 Page 724  
 Jul 01/02

01.101



A-A



B-B

- 1 LUBRICATE PIN SHANK, BUSHING FACES, WASHERS, AND AREAS INDICATED, WITH GREASE MIL-G-23827
- 2 INSTALL WITH WET SEALANT BMS 5-26. FILL CAVITY AT END OF BOLT WITH SEALANT
- 3 IPL FIG. 17 OR 18

ITEM NUMBERS REFER TO IPL FIG. 2, UNLESS SHOWN BY 3

Truck Positioner Installation Details  
Figure 705

**32-11-20**

ASSEMBLY  
Page 725  
Jul 01/02

01.101

J. Bogie Beam Base (Fig. 706)

- (1) At each clamp location on bogie beam, apply tape (561) as follows.
  - (a) Clean painted surface of bogie beam with solvent, BMS 3-2 Type Type 1 (SOPM 20-30-03).
  - (b) Install one wrap of tape where clamp will be located. Overlap ends of tape approximately 1 inch at clamp (559) location, and position tape at clamp (558) location, to extend 0.20-0.30 inch beyond bracket (591) contact area.
- (2) Install brackets (591, 630) on base (507) with washers (588) and bolts (585).
- (3) Install bracket (549) on bogie beam with bolts (540), washers (543), nuts (546).
- (4) Insert clamps (558, 559) through brackets (591, 630) and around bogie beam. Install clamp nuts, bracket (500, IPL Fig. 4), washer (555). Tighten nuts of clamps (558) per Fig. 706.
- (5) Install grounding stud (485) on aft end of bogie beam base with washers (488, 501) and nut (504).
- (6) If necessary, paint the GROUND AT STUD marking on the aft tow lug of the bogie beam, as shown. Use red BMS 10-60 enamel (F-14.9815-101, which replaces SRF-14.9815-101).
- (7) If pads (618, 657) are bad, remove them. Bond replacements to the brackets as shown.

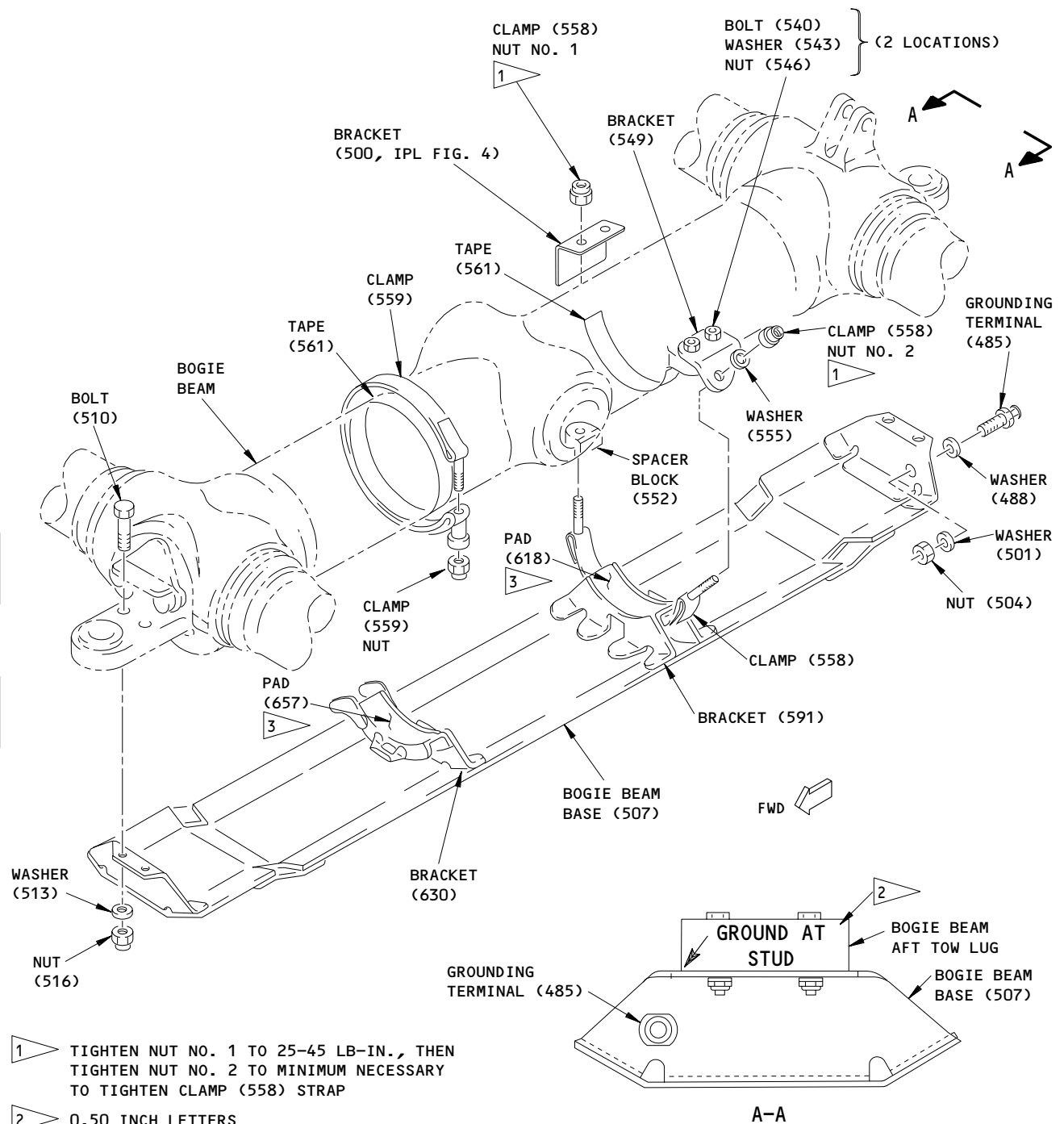
**32-11-20**

ASSEMBLY

01.1

Page 726

Nov 01/05



1 TIGHTEN NUT NO. 1 TO 25-45 LB-IN., THEN TIGHTEN NUT NO. 2 TO MINIMUM NECESSARY TO TIGHTEN CLAMP (558) STRAP

2 0.50 INCH LETTERS

3 BOND REPLACEMENT PADS WITH TYPE 60 ADHESIVE (SOPM 20-50-12)

ITEM NUMBERS REFER TO IPL FIG. 17 OR 18

Bogie Beam Installation Details  
Figure 706

**32-11-20**

ASSEMBLY  
Page 727  
Nov 01/05

01.1

K. Electrical Wire Provision Installation (Fig. 707)

NOTE: Refer to IPL Fig. 3 for item numbers, unless shown differently. Because the conduit diameters could be different, you can use clamps one size larger or smaller, as necessary.

(1) General

(a) Install 2 layers of Mylar tape under clamps and between mounting blocks, channels, and landing gear substrate surfaces. Clean surfaces with solvent before you apply the tape.

(b) Eliminate unnecessary twists in flexible conduit upon installation, by loosening clamps and couplings as required. Retighten after adjustments.

(2) Install tube (75) on bracket X and upper clamp (479, IPL Fig. 2) with parts (52 thru 72).

NOTE: Clips (81, 90) or (84, 87, 90A) are brazed to tube (93).

(3) Install bracket (33) on bracket X with parts (12 thru 30).

(4) Install clamp (108) on clamp (102) with parts (96, 99, 105, 108, 111). Position clamp (108) fastening point 10 degrees forward of inboard, with clamp ring facing forward.

(5) Install clamp (126) on lower clamp (479, IPL Fig. 2) with parts (117, 120, 123, 123). Position clamp (126) fastening point 10 degrees forward of inboard, with clamp ring facing forward.

(6) Install clamp (138) and parts (132, 135) on bracket (122, IPL Fig. 1).

(7) Shock Strut Cylinder Wiring Harness (156, 159)

(a) Install junction box end of harness on clamp (153) with parts (141, 144, 147, 150). Position fasteners as shown relative to forward and inboard directions.

(b) If coverplate was replaced, stencil "J3" (left-hand gear) or "J4" (right-hand gear) on coverplate of junction box, in 0.50-inch high characters with BMS 10-60 enamel (F-14.9815-701, which replaces SRF-14.9815-701.

(c) Route harness upwards and install in clamps (138, 126, 108, 24).

(d) Temporarily secure outboard upper end of harness for protection.

**32-11-20**

ASSEMBLY  
Page 728  
Jul 01/03

01.1

- (8) Forward Truck Wiring Harness (491, 494)
- (a) Mount junction box (with concave top) to ventral surface of bogie beam with parts (455, 458, 461). Position face with two short cables forward.
  - (b) If applicable, mount junction box J5 (left gear) or J6 (right gear) (with concave bottom) to dorsal surface of bogie beam. Position face with short cable aft. Install tubes and clamp cable as shown.
  - (c) Route two short cables forward from ventral junction box and fasten to clamp (479) with parts (464, 467, 470, 473, 476).
  - (d) Install remaining junction box on forward end of bogie beam, on bracket with parts (482, 485), routing interconnecting cable along side of bogie beam.
  - (e) Route cable with truck tilt sensor toward truck tilt sensor mounting bracket on outboard side of bogie beam near shock strut inner cylinder. Fasten with clamps (428) and screws (425) on underside of bracket (642, IPL Fig. 17 or 18), clamps (452) with screws (443), nuts (446), and clamp (428) with screw (425) at bracket (431).
  - (f) Route long cable to inboard side of bogie beam for mounting and routing after aft truck wiring harness is installed.
- (9) Aft Truck Wiring Harness (488, 497)
- (a) Mount junction box (with concave top) to ventral surface of bogie beam with parts (455, 458, 461). Position face with two short cables aft.
  - (b) If applicable, mount junction box J7 (left gear) or J8 (right gear) (with concave bottom) to dorsal surface of bogie beam. Position face with short cable forward. Install tubes and clamp cable as shown.
  - (c) Route two short cables aft from ventral junction box and fasten to clamp (479) with parts (464, 467, 470, 473, 476).
  - (d) Install remaining junction box on aft end of bogie beam, on bracket with parts (482, 485), routing interconnecting cable along side of bogie beam.
  - (e) Route cable with truck tilt sensor toward truck tilt sensor mounting bracket on outboard side of bogie beam near shock strut inner cylinder. Fasten with clamps (428) and screws (425) on underside of bracket (642, IPL Fig. 17 or 18) and clamps (452) with screws (443), nuts (446).

32-11-20

ASSEMBLY  
01.101 Page 729  
Jul 01/02

- (f) Route long cable forward (past truck tilt sensor location). Fasten with clamp (422) and screw (425) at bracket (431), clamp (449) and screw (443) (2 places), and clamp (422) with screw (413) at bracket (642, IPL Fig. 17 or 18).
- (10) Fasten long cables of forward and aft truck wiring harness to plates (663, IPL Fig. 17 or 18) with blocks (410), channels (407), spacer (402), bolts (398) and nuts (405). Center wire harness location markers in blocks.
- (11) Install bracket (383) on bracket (392) with parts (371 thru 380), then install bracket (392) on shock strut inner cylinder lug with fillers (395), bolt (386) and nut (389).
- (12) Route cables upward from bogie beam and fasten to bracket (383) with clamps (368) and parts (362, 365). Center wire harness location markers in clamps.
- (13) Fasten cables to bracket (622, IPL Fig. 2) with clamps (350), screws (344), and nuts (347). Center wire harness location markers in clamps.
- (14) Torsion Link Bracketry
- (a) Before you install bracket (679) on torsion link, apply a 0.12-0.25 inch wide bead of BMS 5-26 or 5-95 sealant on torsion link mating surfaces. Install bracket (688) on lower torsion link with bolts (647), filler (650), and plate (653).
- (b) Install bracket (676) on zee brackets (730, 733) with bolts (670) and washers (673).
- (c) Fasten cables from truck wiring harness to bracket (676) with blocks (641, 644), channels (638), spacers (632), bolts (629) and nuts (635). Center wiring harness location markers in blocks.
- (d) Install plates (623, 626) at apex of torsion links with parts (614, 617, 620). Fasten cables from truck wiring harness to plate (623) with clamps (611), screws (602), washers (605), and nuts (608).
- (e) Before you install parts (552, 570) on torsion link apply a 0.12-0.25 inch wide bead of BMS 5-26 or 5-95 sealant on torsion link mating surface. Then install bracket (552) on upper torsion link with bolts (545), filler (548), and plate (552).
- (f) Install bracket (542) and hose guide (518) on zee brackets (590, 593) with spacers (524), bolts (521, 536), washers (539), nuts (527).

**32-11-20**

ASSEMBLY  
Page 730  
Jul 01/03

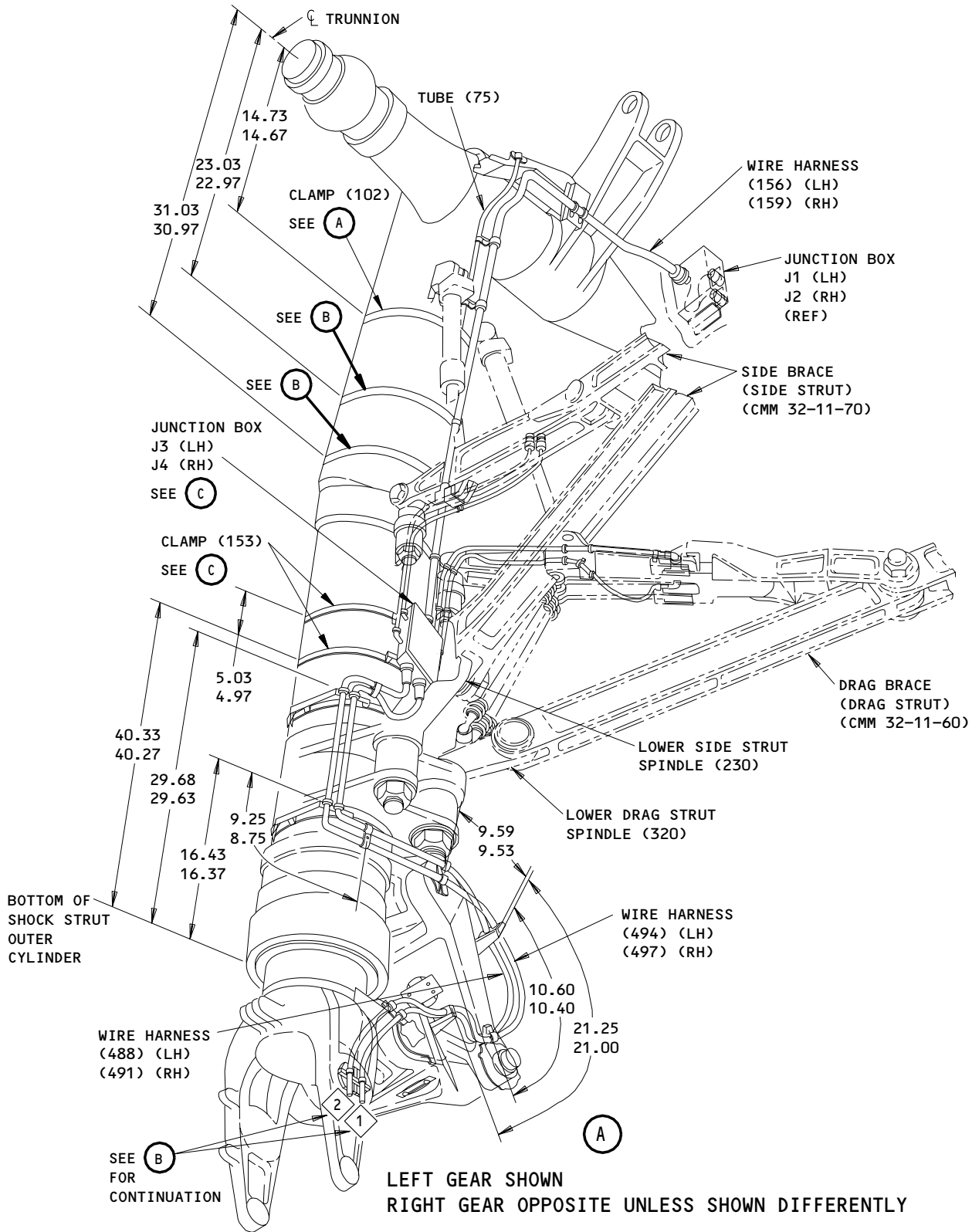
01.1

- (g) Fasten cables from truck wiring harness to bracket (542) with blocks (512, 515), channels (509), spacers (503), bolts (500) and nuts (506). Center wiring harness location markers in blocks.
  
- (15) Remove existing nut and end cap from upper torsion link pivot in path of truck wiring harness cables. Install bushing (198) and bracket (201); then reinstall end cap and nut. Fasten cables to bracket (201) with clamps (192) and screws (189). Center wiring harness location markers in clamps.
  
- (16) Fasten cables to shock strut with clamps (186), screws (177), nut (180), and at clamps (153), with clamps (186), screw (180), nut (180), and clamps (168, 174), screw (162), block (171), nut (165). Center wiring harness location markers in clamps.
  
- (17) Connect upper ends of cables to junction box.

**32-11-20**

01.101 ASSEMBLY  
Page 731  
Jul 01/02



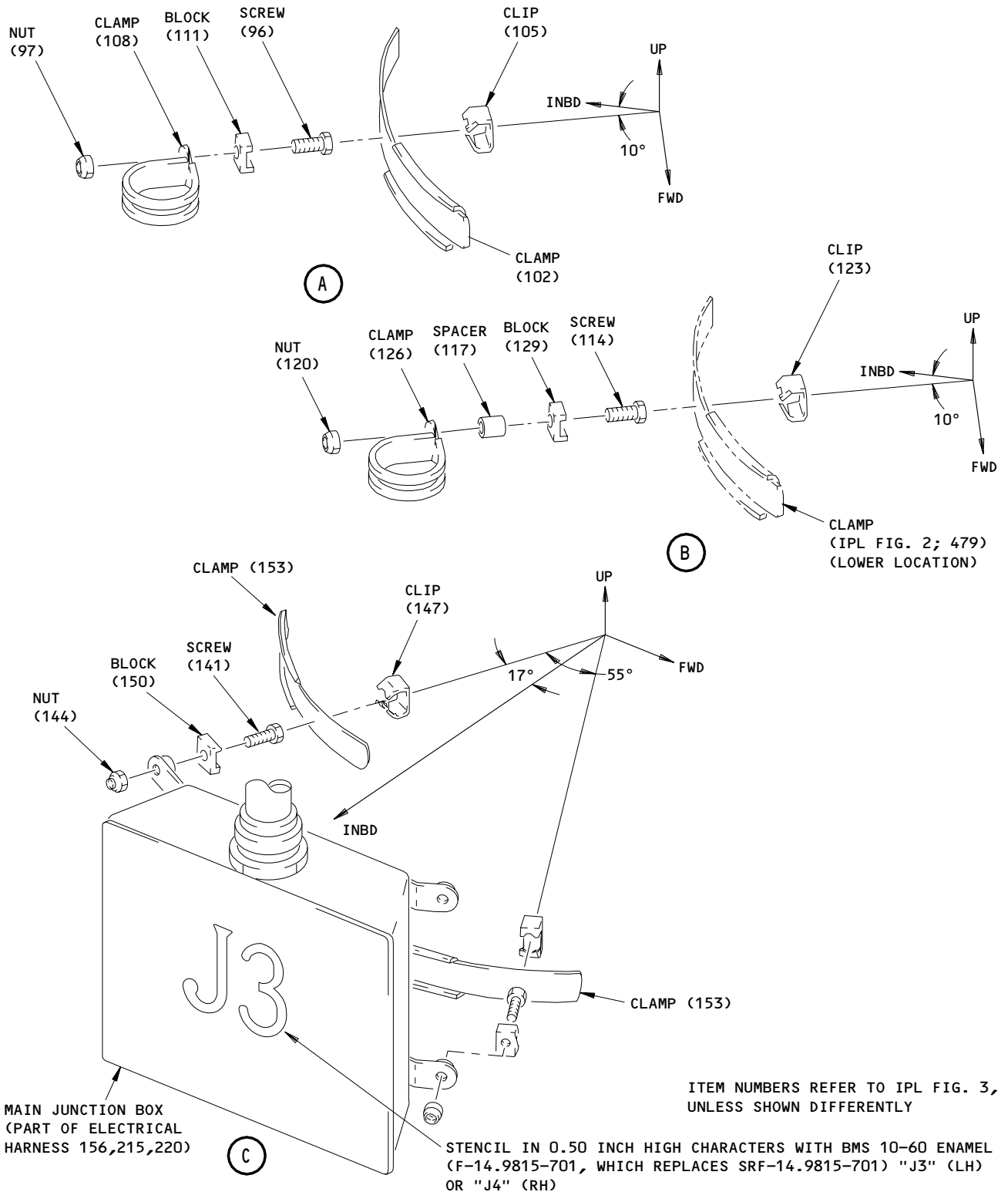


Electrical Wire Installation Details  
 Figure 707 (Sheet 1)

**32-11-20**

ASSEMBLY  
 Page 732  
 Jul 01/02

01.101



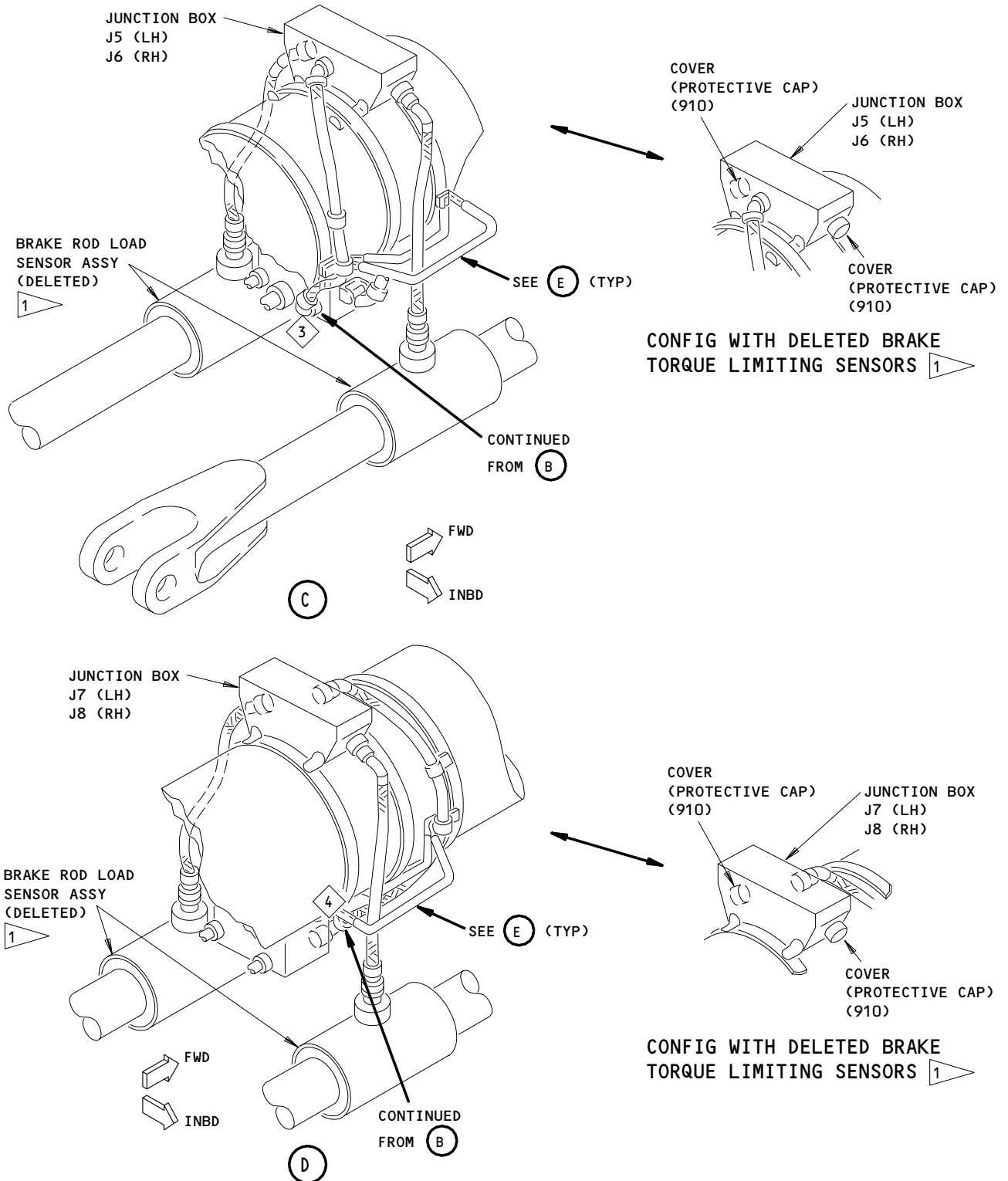
Electrical Wiring Installation Details  
Figure 707 (Sheet 2)

**32-11-20**

ASSEMBLY  
Page 733  
Jul 01/02

01.101



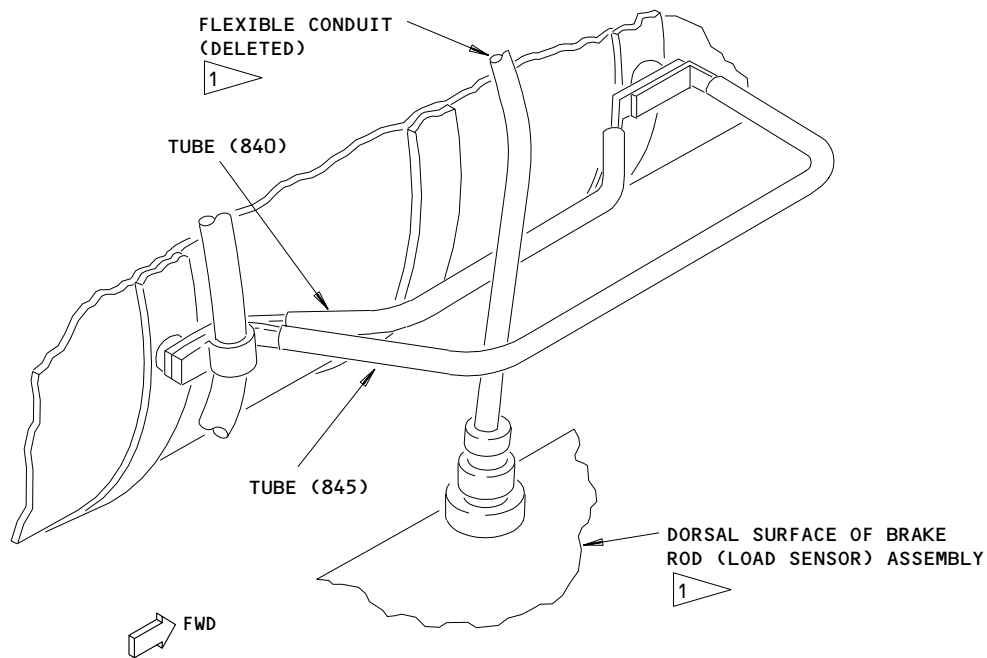


Electrical Wire Installation Details  
Figure 707 (Sheet 4)

**32-11-20**

ASSEMBLY  
Page 735  
Jul 01/02

01.101



(E)

1 ON AIRPLANES ORIGINALLY BUILT FOR INSTALLATION OF BRAKE TORQUE LIMITING SENSORS, CONVENTIONAL (UNINSTRUMENTED) BRAKE RODS ARE NOW USED AND RECEPTACLES ON JUNCTION BOXES J5, J7 (LH); J6, J8 (RH) ARE CAPPED AS SHOWN.

ITEM NUMBERS REFER TO IPL FIG. 3 UNLESS SHOWN DIFFERENTLY

Electrical Wire Installation Details  
 Figure 707 (Sheet 5)

**32-11-20**

ASSEMBLY  
 Page 736  
 Jul 01/02

01.101

L. Hydraulic Installation (Fig. 708)

NOTE: Refer to IPL Fig. 2 for item numbers, except as otherwise noted.

- (1) Mount support (320 or 323) on hose support at top of shock strut, with elbow (305), union (308), washers (302) and nuts (296). Install additional elbows (305, 317) with washers (299, 302, 314), nuts (296, 311). Position elbows as shown.
- (2) Install clamp block assemblies (365, 344) on bracket (473), but do not tighten clamp block hardware at this time. (Hardware will be removed and reinstalled when hydraulic hoses are installed). Install bracket (473) on clamp (479) with clips (338, 467) and parts (458, 461, 464, 470).
- (3) Install clamp block assembly (386) on bracket (476), using clip (338), bolt (332) and block (341) to mount clamp block to lower clamp (479). Do not tighten clamp block hardware at this time. Fasten bracket (476) to clamp (479) with parts (458, 461, 464, 467, 470).
- (4) Install a clamp block assembly (413) on bracket (482), using clip (338), bolt (326) and block (341) to mount clamp block to clamp (484). Do not tighten clamp block hardware at this time. Fasten bracket (482) to clamp (484) with parts (458, 461, 464, 467, 470).
- (5) Install remaining clamp block assembly (413) on bracket (485), using clip (338), bolt (326) and block (341) to mount clamp block to clamp (488). Do not tighten clamp block hardware at this time. Fasten bracket (485) to clamp (488) with parts (458, 461, 464, 467, 470).
- (6) Install clamp block assembly (434) on bracket (491), using clip (338), bolt (335), and block (341) to mount clamp block to clamp (494). Do not tighten clamp block hardware at this time. Fasten bracket (491) to clamp (494) with parts (458, 461, 464, 467, 470).
- (7) Install pads (536, 539) on bracket (542) with parts (527, 530, 533). Install elbows on bracket (515) with washers (500, 509) and nuts (497, 506). Install bracket on clamp (545) with parts (518, 521, 524).

32-11-20

ASSEMBLY  
Page 737  
Jul 01/02

01.101

**CAUTION:** USE INDEX LINE ON SIDE OF HOSE TO DETERMINE WHETHER HOSE IS TWISTING. IF HOSE IS INSTALLED TWISTED, PREMATURE HOSE FAILURE OR HOSE COUPLING LEAKAGE COULD OCCUR.

- (8) Install hydraulic tubes (53, 77, 101, 125, 149, 212) on shock strut in clamp blocks (344, 365, 386, 413, 434). Adjust tubes in clamp blocks to eliminate twists and excessive slack or strain, then tighten clamp block hardware. Connect tubes (101, 125, 149, 212) to unions on bracket (515).
- (9) Install bracket (676) on shock strut with bolt (667), washer (670), nut (673). Install unions (664) on bracket with nuts (661). Connect tubes (53, 77) to unions (664).
- (10) Install bracket (769) on lower torsion link with parts (760, 763, 766). Install elbow (754) on bracket with washer (757), nut (748). Install union (751) on bracket with nut (748).
- (11) Install hoses (14) through bracket (518, IPL Fig. 3) on upper torsion link, and connect to fittings on brackets (676, 769). Make sure hoses do not twist during installation.
- (12) At three places, insert spacers (718) into 0.46-diameter holes in top of bracket (676, IPL Fig. 3). Install clamps (733) on spacers with screws (706, 709), washers (715) under screwheads, and nuts (724). Install screws (703) on remaining clamp lug, with washer (715) under screwhead, and remaining washer (715) and nut (724) on screw from inside bracket.
- (13) Brackets (568, 604)
  - (a) Install pad (595) on bracket (598) with rivets (592). Install pad (652) on bracket (655) with rivets (649). Install pad (562) with shim (565) on lower lug of each bracket with rivet (559).
  - (b) Install bracket (622) on bracket (640) with bushing (625), washers (613, 616), bolt (610) and nut (619).
  - (c) Install bracket (640) on bracket (655) with washer (646), ring (643), screws (628, 631), washers (634) and nuts (637).
  - (d) Install bracket (583) on bracket (598) with washer (589), ring (586), screws (574), washers (577) and nuts (580).

**32-11-20**

ASSEMBLY  
Page 738  
Jul 01/02

01.101

- (e) Install elbow (553) with washer (551) and nut (548) on each bracket (598, 655).
- (f) Remove the following parts (Ref 32-11-30, IPL Fig. 1) from joint between lower torsion link and shock strut inner cylinder: cotter pins (80), nuts (95), washers (90). Do not remove end caps (105) or tie rod (85).
- (g) Fit brackets (568, 604) over ends of tie rod. Install washers (556), then washers, nuts, and cotter pins removed in previous step.

**CAUTION:** USE INDEX LINE ON SIDE OF HOSE TO DETERMINE WHETHER HOSE IS TWISTING. IF HOSE IS INSTALLED TWISTED, PREMATURE HOSE FAILURE OR HOSE COUPLING LEAKAGE COULD OCCUR.

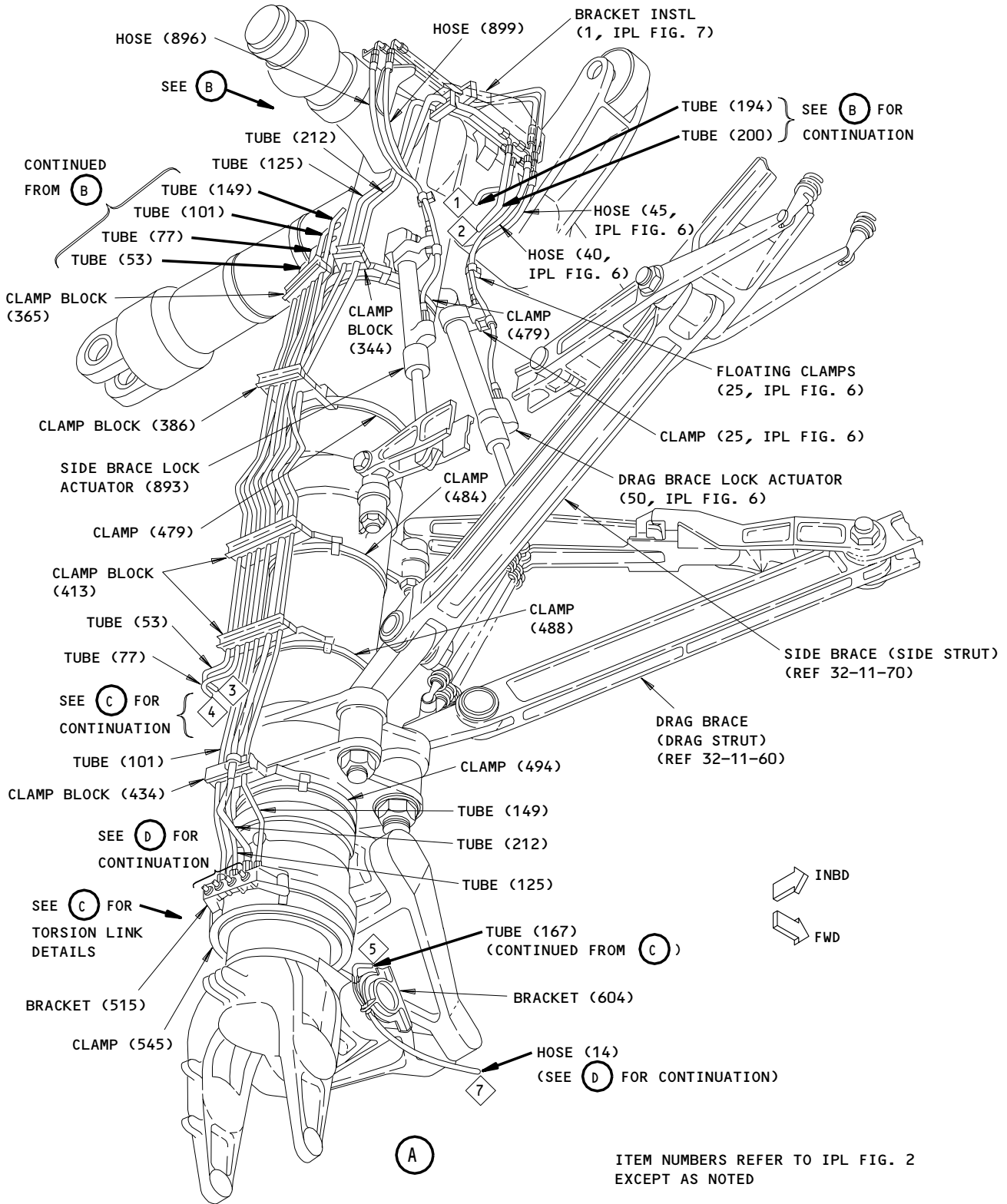
- (14) Connect hoses (167, 179) to unions at bracket (769). Make sure hoses do not twist during installation. Fasten with clamps (733) at bracket (676, IPL Fig. 3). Route over lower torsion link as shown and connect to elbows (553) on brackets (568, 604).
- (15) Install saddle (260) on hose support (841) with bolts (236), washers (239), nuts (242).
- (16) Connect brake hoses (17) and truck positioner hoses (20, 32) to unions on bracket (515). Make certain hose (20) end with sleeves and stops closest is connected to union. Make sure hoses do not twist during installation.
- (17) Clamp hoses in saddle (257) with blocks (269) and install cover (254) with parts (245, 248, 251). Ensure that blocks (269) clamp hose (20) between stops (26). Make sure hoses do not twist during installation.
- (18) Similarly, clamp hoses at hose support (841) in saddle (257) with blocks (269), cover (254) and parts (245, 248, 251). Ensure that blocks (269) clamp hose (20) between stops (26). Make sure hoses do not twist during installation.
- (19) Route hoses (20, 32) through holes in lower area of hose support. Connect hoses (20, 32) to truck positioner (866). Make sure hoses do not twist during installation. Route brake hoses (17) down towards rear axle.
- (20) Install block assembly (908) on hoses (20, 32) in the location shown. Put clamp block halves (911) around hoses and install clamp (914).

**32-11-20**

ASSEMBLY  
Page 739  
Jul 01/02

01.101





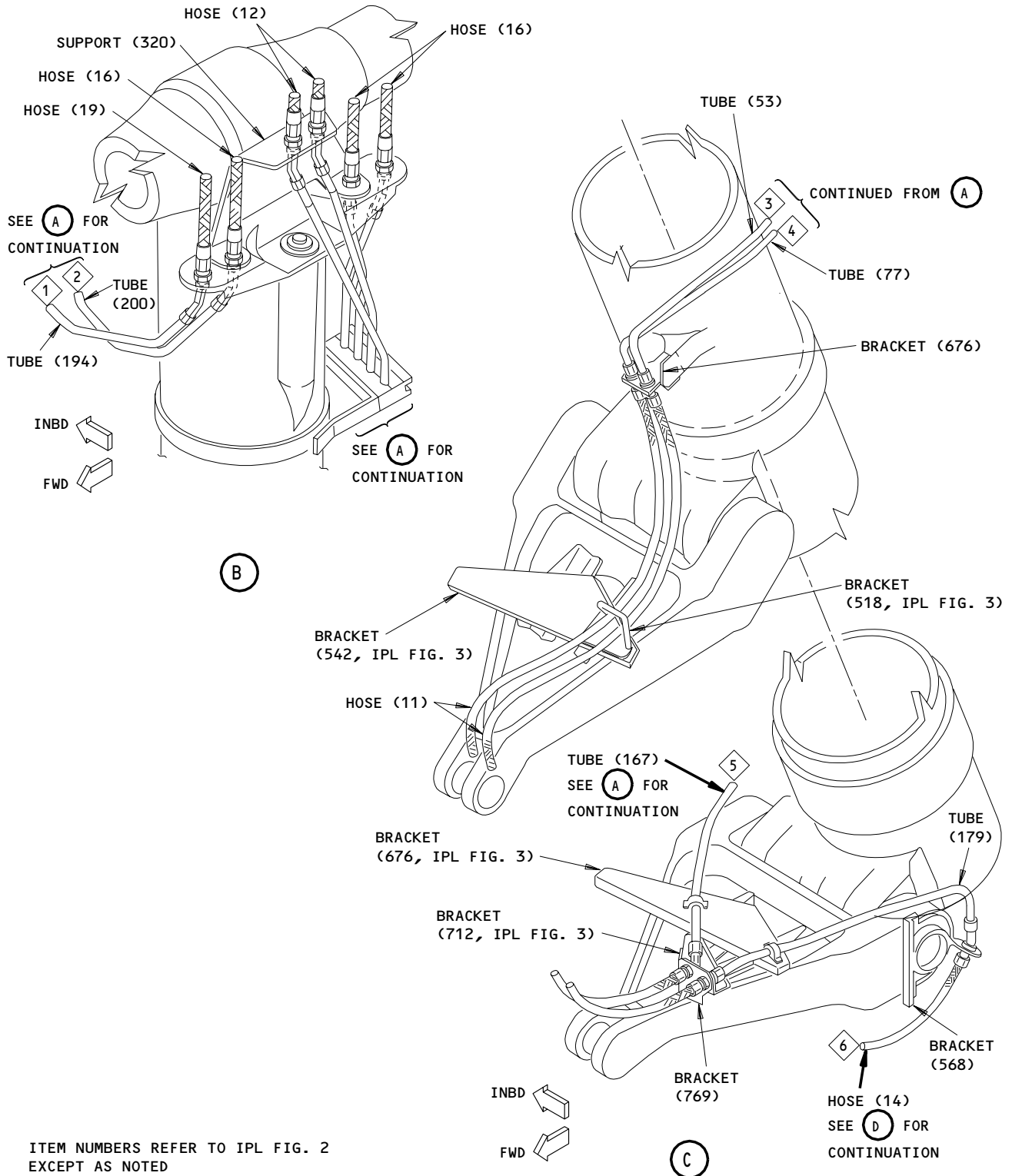
ITEM NUMBERS REFER TO IPL FIG. 2  
 EXCEPT AS NOTED

Hydraulic Installation Details  
 Figure 708 (Sheet 1)

**32-11-20**

ASSEMBLY  
 Page 740  
 Jul 01/02

01.101



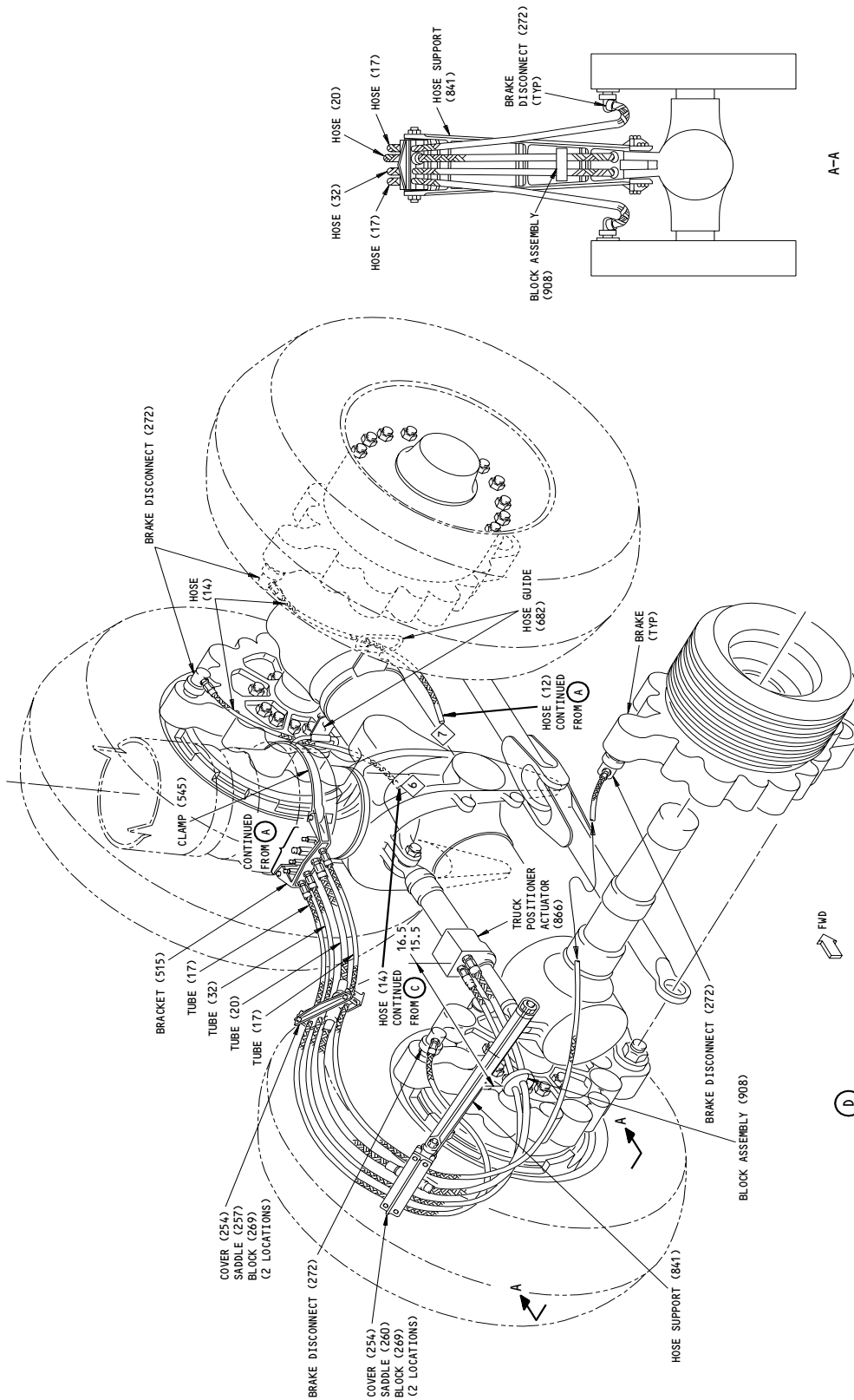
ITEM NUMBERS REFER TO IPL FIG. 2  
EXCEPT AS NOTED

Hydraulic Installation Details  
Figure 708 (Sheet 2)

**32-11-20**

ASSEMBLY  
Page 741  
Jul 01/02

01.101



Hydraulic Installation Details  
 Figure 708 (Sheet 3)

**32-11-20**

ASSEMBLY  
 Page 742  
 Jul 01/02

01.101

M. Pressure Gage (Fill Valve) Installation (IPL Fig. 80)

- (1) Coat packing (10) sparingly with silicone lubricant and install fill valve (15). Tighten to 150–200 pound-inches. Install cap (5) on valve.
- (2) Install nut (270164) in wheel and lockwire to fill valve.

N. Truck Tilt Sensor Installation (450, 455, 555, 560, IPL Fig. 4)

**NOTE:** Refer to IPL Fig. 4 for item numbers, except as noted.

- (1) Install bracket (500) on bogie beam with bolt (485), washer (490), nut (495) and clamp (558, IPL Fig. 17 or 18) bolt (Fig. 706).
- (2) Install truck tilt sensors on bracket with shims (480, 585), screws (465, 570), washers (470, 575), nuts (475, 580).
- (3) Install targets (535) on bracket (540) with rivets (530). Install bracket on shock strut inner cylinder lugs with bolts (505), washers (510), nuts (515), and shim (520).
- (4) Check gap between sensors and targets (535). If gap is not within range of 0.165–0.195 inch, remove brackets (525, 500). Remove sensors from bracket, and peel laminations of shims (480, 585) as necessary to adjust gap. Reinstall parts per steps (1), (2), (3) above and recheck gap.
- (5) After proper gap has been obtained, bond shims to bracket with rivets (460, 565) and adhesive type 44. Edge seal shims with type 41 protective finish. Reinstall parts per steps (1), (2), (3) above.
- (6) Install markers (545, 550, 590, 595) as applicable.

**32-11-20**

01.101 ASSEMBLY  
Page 743  
Jul 01/02

0. Brakes, Wheels, Sensors

NOTE: Refer to IPL Fig. 17 or 18 for item numbers, except as otherwise noted.

(1) Disconnects (IPL Fig. 2)

(a) As applicable for the disconnect, depress button on side of brake disconnect (283), or unscrew or use equivalent operation, to separate bulkhead part from hose fitting part. Install O-ring (281) and backup rings (279) on bulkhead part.

(b) On buildups with carbon brakes that have the Post SB 32A0125 configuration (IPL Fig. 2):

1) Install the bulkhead part of the disconnect on the brake with retainer plate (273J) and bolts (275), washers (277). Be sure to turn the plate to put the indicated hole above and aft of the hydraulic line centerline. Tighten the bolts to 65-100 pound-inches.

2) Connect the hose part of the disconnect to the part on the brake. Install plates (273, 273E) with bolts (274), spacers (274E), washers (274J, 274N) and nut (274T). Use washers (274J) only if the hose part of the disconnect is a Symetrics part number 591200-5. (Then the washers can go at either end of the spacers.) Tighten nuts (274T) to 50-80 pound-inches.

(c) Install bulkhead part of disconnect on brake with bolts (275), washers (IPL Fig. 2, 277). Reconnect hose part of disconnect.

(d) Do the above steps for the remaining three brake assemblies.

(2) Install brakes on axles.

**32-11-20**

ASSEMBLY  
Page 744  
Jul 01/02

01.101

- (3) On buildups with carbon brakes that have the Post SB 32A0126 configuration, connect brake rods to brakes with pin (464) and install keeper hardware (items 477 thru 478J).
  - (a) Apply BMS 3-23 corrosion inhibiting compound to pin (478) shank, threads, and bushing faces, and the faces of washer (478E or 478F).
  - (b) Install bulkhead keeper (478J or 478K) and tighten by hand until it is against washer (478E or 478F). Then back it off, if necessary, to align its holes with those in pin (464).
  - (c) Install bolt (477 or 477A), washers (477E or 477F, 477J), nut (477N) and cotter pin (477T).
  
- (4) On buildups with carbon brakes that have the post SB 32-0130 configuration, connect brake rods to brakes with pin (465), washers (478E or 478F, 474) and bolts (475, 475J or 475K).
  - (a) Apply a layer of Royco 11MS grease to the shank of pin (465). Install the pin through the brake rod and the brake lug with the head inboard.
  - (b) Apply a layer of MIL-C-11796 class 3 corrosion preventive compound to the faces of washer (478E or 478F). Install washers (478E or 478F, 474) on the end of pin (465) against the outboard face of the brake lug.
  - (c) Apply BMS 3-27 corrosion preventive compound to the threads, flange face and fillet radius of bolt (475).
  - (d) Install bolt (475) in pin (465). Tighten to 40-50 pound-feet. Back off one quarter turn. Tighten again, to 5-7 pound feet. Back off bolt (475) to align two of the holes in the bolt to the two nearest boles in washer (474).

**32-11-20**

ASSEMBLY  
Page 745  
Jul 01/02

01.101

- (e) Apply BMS 3-27 corrosion preventive compound to the threads, flange face, and fillet radius of bolts (475J or 475K). Tighten to 23-28 pound-inches. Install lockwire between these bolts and bolt (475). Make sure the lockwire is not above the bolt head.
- (f) Apply Royco 11MS grease at the lube fitting on the brake rod.
- (5) If SB 32A0126 or 32-0130 is not incorporated, connect brake rods to brakes with pin (464) and secure with parts (476, 470, 473, 476). Apply grease Royco 11MS at lube fittings. Tighten nut (476) to 160-240 pound-inches (PRE SB 32-106) or 96-160 pound-inches (POST SB 32-106 and on).
- (6) Connect brake hoses to brakes at brake disconnects.
- (7) Install brake temperature sensors (110, IPL Fig. 4) with screws (60) and washers (105). If sensor (110A) is used, position connector keyway up. Install markers (115, 120, 125, 130). Connect wire harness to sensors.
- (8) Install support (431), bolts (422), washers (425) and nuts (428).
- (9) Pull antiskid wires through axle ID. Connect to transducer (407) Carefully insert transducer into support (431), feeding wire back into axle. Install nut (434) and tighten to 40-60 pound-feet using adapter A32069-1.
- (10) Remove axle protector from axle. Slide spacer (461) onto axle.
- (11) Coat axle OD areas where wheel bearings will be located with Aeroshell No. 5 grease. Lubricate wheel bearings with Aeroshell No. 5 grease.
- (12) Sparingly coat gasket of fill valve (446) with silicone compound lubricant.
- (13) Install fill valve (446) in wheel (452) and tighten to 150-200 pound-inches. Lockwire fill valve per 20-50-02 double twist method.
- (14) Install wheels onto axles.

**32-11-20**

ASSEMBLY  
Page 746  
Jul 01/02

01.101

- (15) Lubricate axle and nut (440) threads, and mating surfaces of nut (440) and washer (443) with Aeroshell 5 grease. Install washer (443) and nut (440) on axle. Rotate wheel, and while wheel is rotating, tighten nut (440) to 500-600 pound-feet using wrench A32012-13. Stop wheel. With wheel stationary, back off nut to 10-100 pound-feet. Rotate wheel again, and while wheel is rotating, tighten nut to 150 pound-feet. Check for alignment of holes in axle and nut for lockbolts (422). If holes do not align, continue tightening nut (515) to first available alignment position but do not tighten nut in excess of 15 degrees additional rotation (SB 32-23). Install lockbolts (422), washers (425), nuts (428).
- (16) If applicable, fill cavity outside of wheel bearings with Aeroshell No. 5 grease, install seal (458), then install seal retainer (455) into recessed groove in wheel (SB 32-17, 32-20, 32-23).

P. Fan and Drive Assembly (940) (Fig. 709)

**NOTE:** If fan and drive assembly is not used, proceed to par. 3.Q. and install hubcaps.

- (1) Install mounting ring (935) on wheel (452) with clamps (368).
- (2) Install fan and drive assembly on wheel, meshing fingers of cup (1080) with fingers of antiskid transducer dog (416).
- (3) Fasten fan and drive assembly to mounting ring (935) with washers (930) and bolts (925).

Q. Hubcaps (371) (Fig. 709)

- (1) Fasten cup (404) to coupling (401) with washer (388) and screws (385). Lockwire screws together using double twist method per 20-50-04.

**CAUTION:** S161T102-5 coupling assembly (401A) has self-locking thread inserts which permit the installation of screws (385) without lockwire. The self-locking property could be decreased if screws (385) are removed and installed during service. If the torque required to turn screws (385) into the inserts is less than 1.5 pound-inch, the insert must be replaced or the screws must be lockwired. If the torque is greater than 1.5 pound-inch, lockwire is optional.

- (2) Install coupling (401) with attached parts in hubcap (373) with bolts (376).
- (3) Install hubcap on wheel (452), meshing fingers of cup (404) with fingers of antiskid transducer dog (416).

**32-11-20**

ASSEMBLY  
Page 747  
Jul 01/02

01.101



- (4) Fasten hubcap to wheel with clamps (368). Tighten nut to 35-40 pound-inches.

R. Antiskid Assembly (50, IPL Fig. 10) (Fig. 710)

NOTE: All item numbers below refer to IPL Fig. 10 unless otherwise noted.

- (1) Install dog (75) on transducer (80) with bolt (65) and washer (70).
- (2) Put transducer assembly (60) into TPIS adapter (100) and install retainer nut (95). Tighten nut (95) to 40-60 pound-inches with adapter A32069-1. Lockwire nut (95) to adapter (100) using double twist method per 20-50-02.
- (3) Put wheel interface unit (105) into adapter (100). Pull connector conduit through adapter slot. Install screws (55, 85) and washers (90).
- (4) Check that wheel interface unit (105) rotates in its housing after installing screws (85) as freely as it had prior to assembly. Tighten screws 20-25 pound-inches.
- (5) Apply heat-shrink sleeve over conduit and adapter.

S. Brake Equipment Assembly (5, IPL Fig. 10) (Fig. 711, Fig. 712) - Tire Pressure Indication System (TPIS)

NOTE: All item numbers below refer to IPL Fig. 10 unless otherwise noted.

- (1) Assemble components of Hubcap Assembly (15) (Fig. 711).
  - (a) Install coupling assembly (35) and driver (40) to hubcap (45) with bolts (20). Tighten bolts to torque range of 30-35 inch-pounds. Lockwire bolts together using double-twist method per 20-50-02.

NOTE: Install driver (40) such that the drive lug is on the side nearest to the slot in the hubcap (45).

- (b) Attach cup (37) to coupling assembly (35) with washer (30) and screws (25A) and tighten to 15-20 inch-pounds. Lockwire screws together using double-twist method per 20-50-02.

**32-11-20**

ASSEMBLY  
Page 748  
Jul 01/02

01.101

**CAUTION:** S161T102-5 coupling assembly (35A) has self-locking inserts which permit the installation of screws (25A) without lockwire. The self-locking property could be decreased if screws (25A) are removed and installed during service. If the torque required to turn screws (25A) into the inserts is less than 1.5 pound-inch, the insert must be replaced or the screws must be lockwired. If the torque is greater than 1.5 pound-inch, lockwire is optional.

- (2) Attach the connector end of the pressure sensor (110) to the wheel interface unit (105).
- (3) Connect antiskid and tire pressure electrical conduits to transducer (80) and wheel interface unit (105).
- (4) Carefully slide assembled components of transducer assembly (60) and adapter (100) into axle. Align hole in adapter with hole in axle.
- (5) Install nut (440, IPL Fig. 17 or 18) and washer (443, IPL Fig. 17 or 18) into axle hole and adapter (100) holes.

**CAUTION:** DO NOT PULL THE CONDUIT ONCE THE GROMMET AND SPACER ARE PUSHED COMPLETELY INTO THE HUBCAP SLOT AND THE DRIVER (40) IS ALIGNED IN THE WHEEL INTERFACE UNIT (105).

- (6) Install the grommet (125) on the pressure sensor conduit. Make sure to position the hubcap assembly (15) and the spacer (120) so that the grommet (with the pressure sensor conduit) and the spacer can slide into the hubcap slot.

**CAUTION:** INSTALL THE PRESSURE SENSOR (110) IMMEDIATELY AFTER REMOVING THE SEAL CAP (135) TO PREVENT TIRE PRESSURE LOSS (APPROXIMATELY 1 PSI PER MINUTE).

- (7) Remove the seal cap (135) from the pressure sensor holder (140).

**NOTE:** Retain the seal caps (135) as flyaway equipment.

**32-11-20**

01.101 ASSEMBLY  
Page 749  
Jul 01/02

- (8) Immediately apply a very thin layer of MIL-G-81322 or Aeroshell 5 grease to the O-rings on the holder and then install the other end of the pressure sensor (110) over the holder (140). The sensor can be installed in 30-degree increments. Be sure to adjust it so that the conduit is neither slack nor pulled when the hubcap assembly (15) is installed.
- (9) Install the nut on the pressure sensor holder (140) and lockwire it by the double-twist method (SOPM 20-50-02) to the tabwasher on the wheel (295, IPL Fig. 9).
- (10) Install hubcap assembly (15) on wheel (295, IPL Fig. 9). Make sure to engage the fingers of coupling assembly (35) with the fingers of antiskid transducer dog (75).
- (11) Attach hubcap (45) to wheel with clamps (10). Tighten the nut to 35-40 pound-inches.

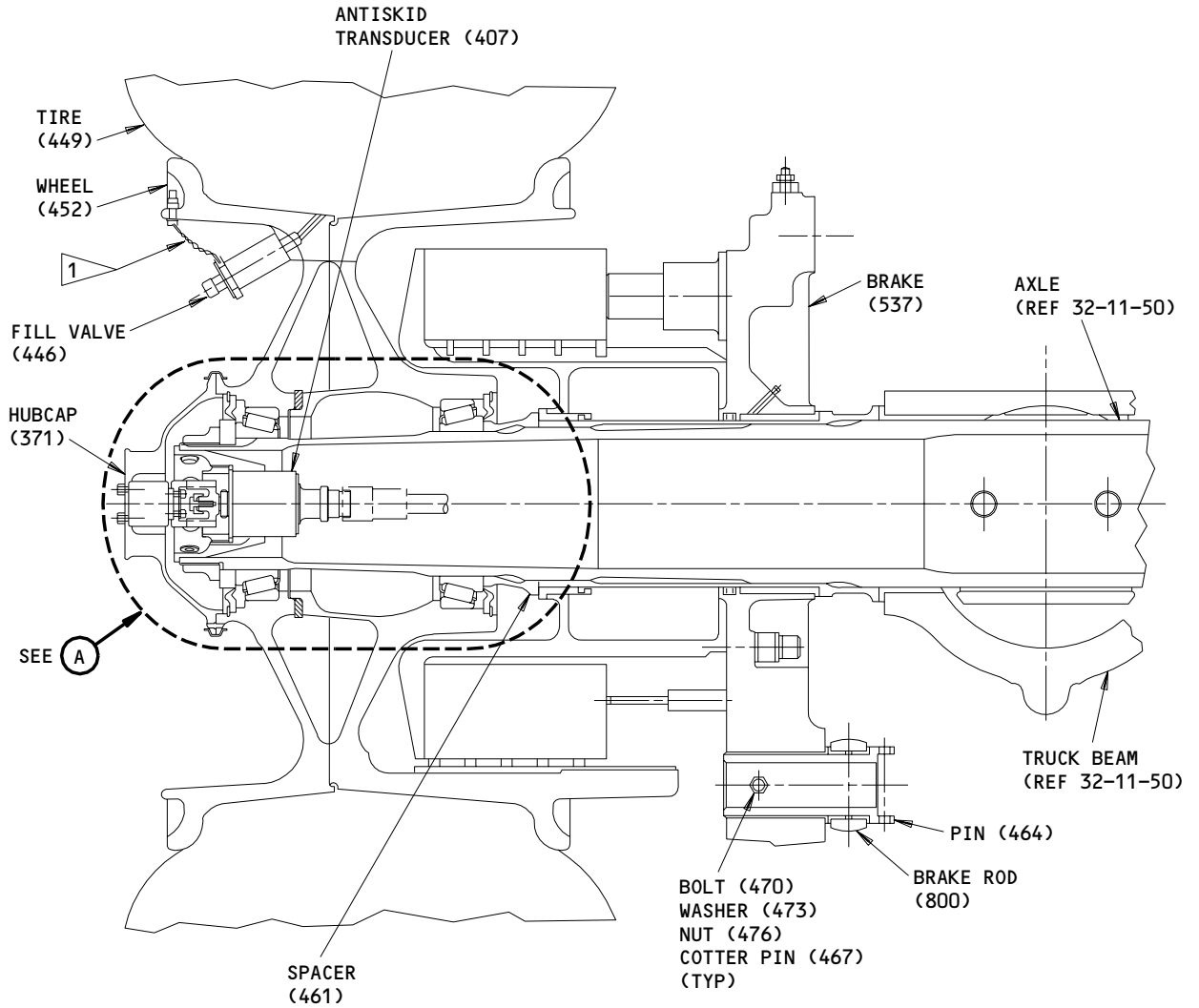
#### 4. Storage

- A. Give protection to this unit and put it away by standard industry practices, the instructions in SOPM 20-44-02 and 20-70-01, and these steps.
- B. Put the unit in a suitable stand or fixture with sufficient support under inner cylinder to remove weight from tires.
- C. Refer to vendor's instructions for storage of wheel and tire assembly.
- D. Cover any bare metal and unprotected areas with MIL-C-16173 grade 2 corrosion preventive compound.
- E. Give the unit the protection of a vapor barrier cover, if possible.

**32-11-20**

ASSEMBLY  
Page 750  
Jul 01/03

01.1



CONFIGURATION WITHOUT FAN AND DRIVE ASSEMBLY (940)

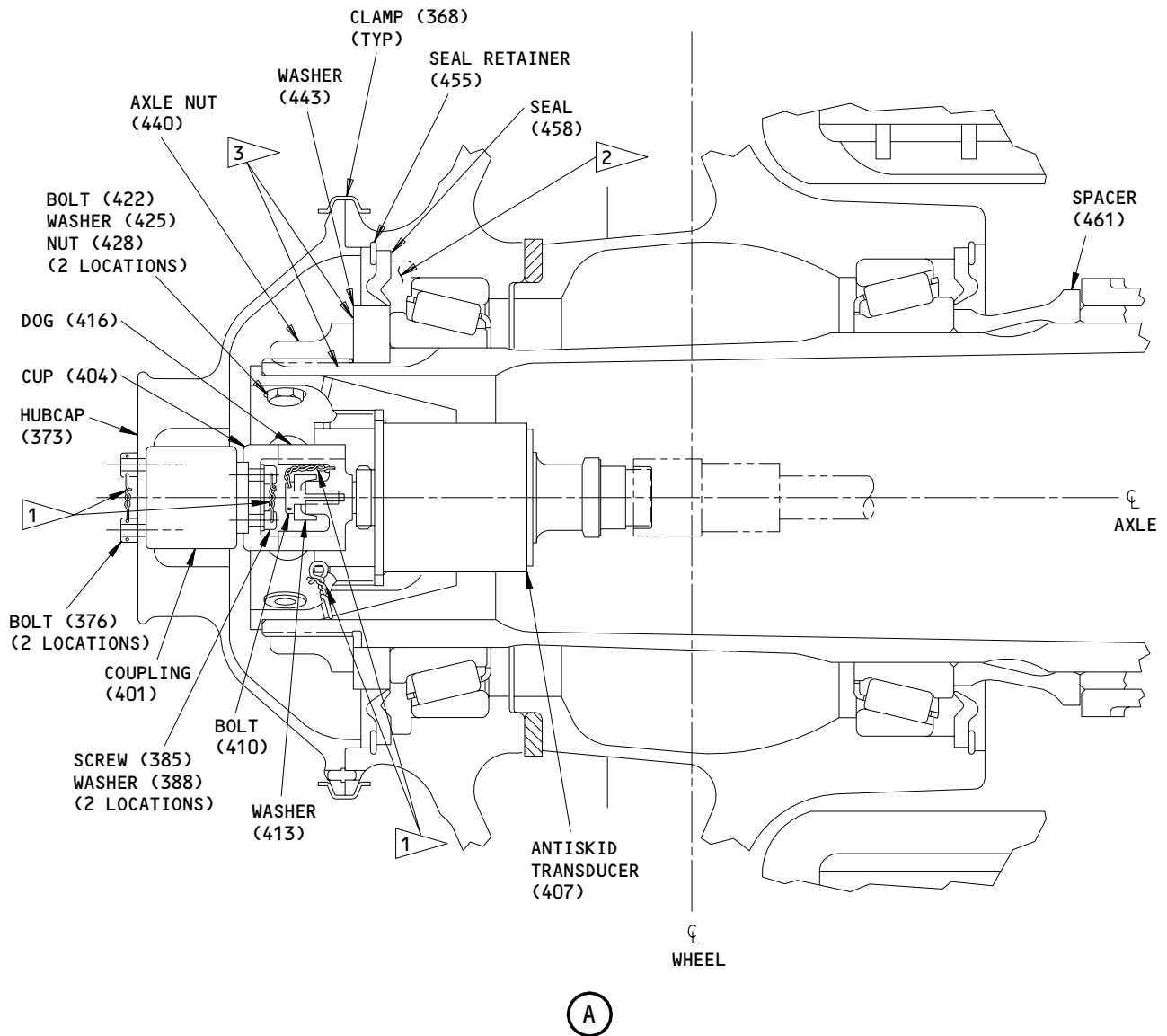
ITEM NUMBERS REFER TO IPL FIG. 17 OR 18

Wheel and Hub Details  
Figure 709 (Sheet 1)

**32-11-20**

ASSEMBLY  
Page 751  
Jul 01/02

01.101



- 1 LOCKWIRE
- 2 PACK CAVITY BETWEEN BEARING AND SEAL WITH AEROSHELL 5 GREASE WHEN INSTALLING SEAL
- 3 LUBRICATE WITH AEROSHELL 5 GREASE

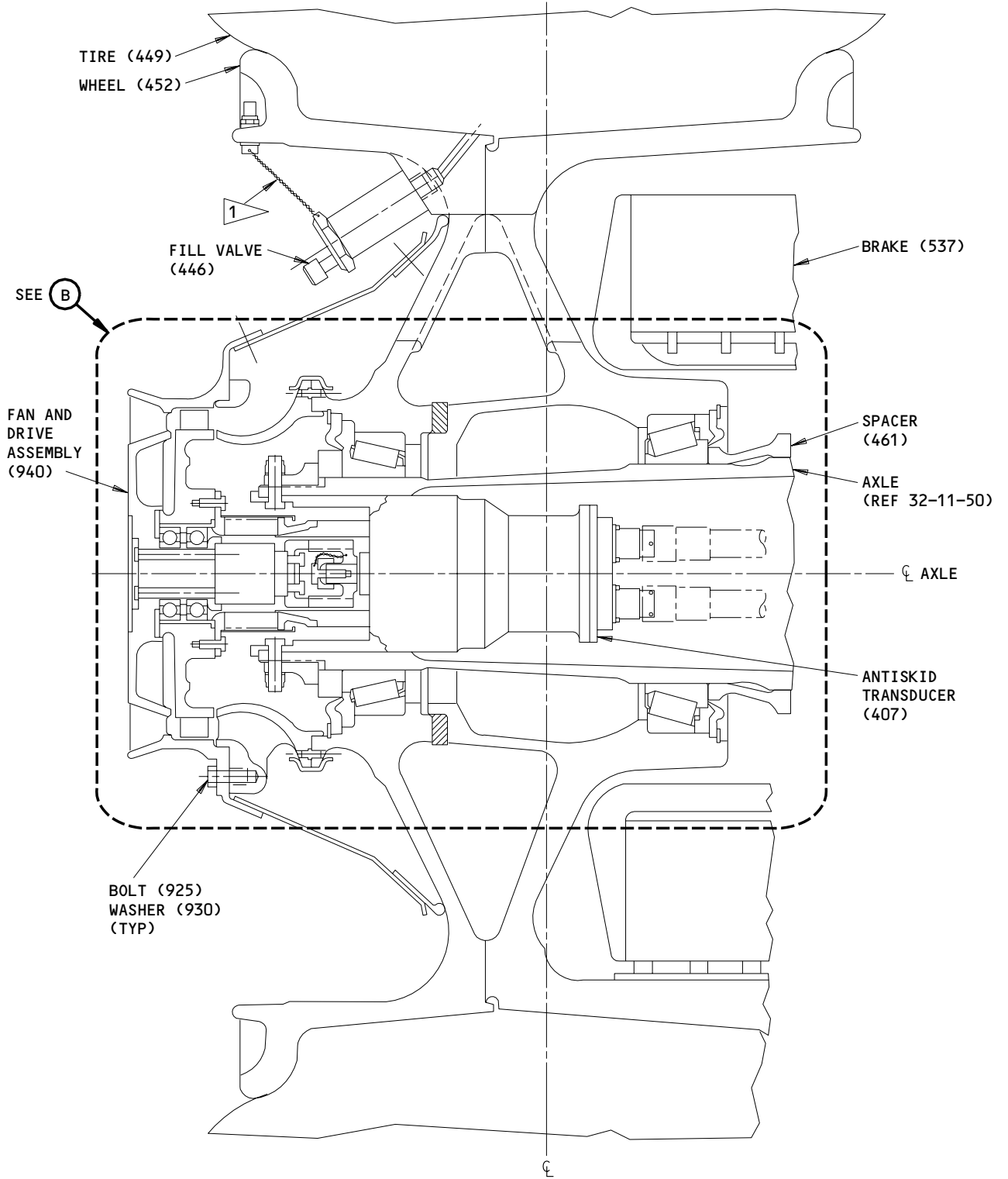
ITEM NUMBERS REFER TO IPL FIG. 17 OR 18

Wheel and Hub Details  
 Figure 709 (Sheet 2)

**32-11-20**

ASSEMBLY  
 Page 752  
 Jul 01/02

01.101



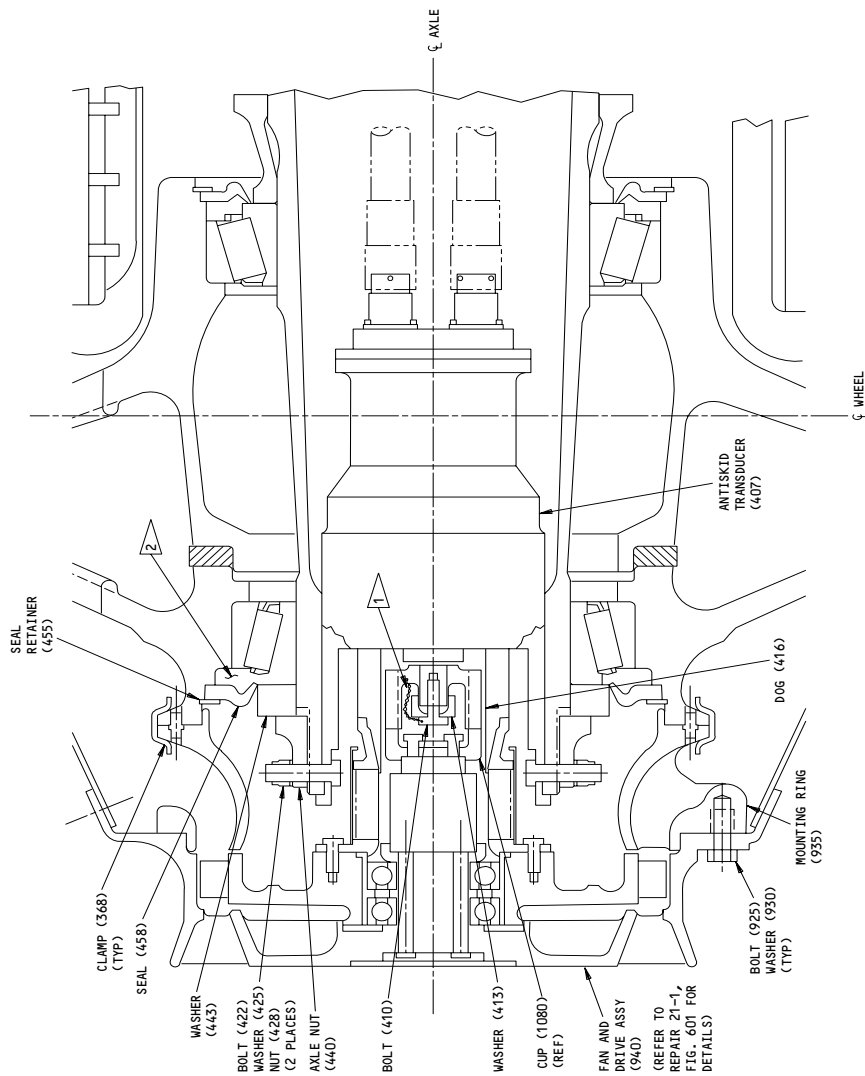
CONFIGURATION WITH FAN AND DRIVE ASSEMBLY (940)

Wheel and Hub Details  
Figure 709 (Sheet 3)

**32-11-20**

ASSEMBLY  
Page 753  
Jul 01/02

01.101



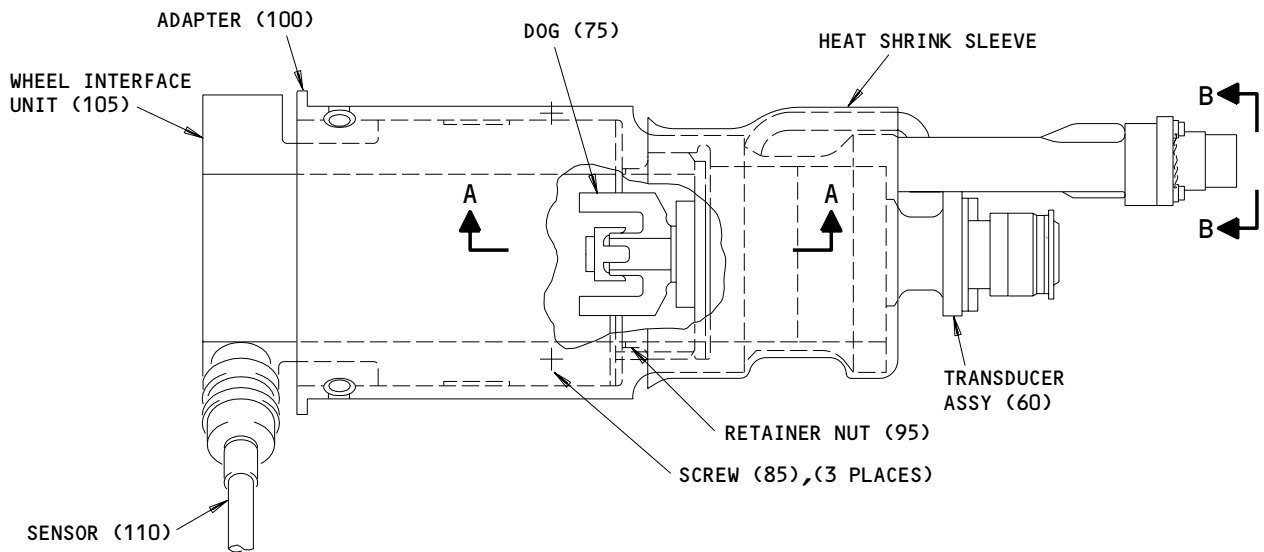
- 1 LOCKWIRE  
 2 PACK CAVITY BETWEEN BEARING AND SEAL WITH AEROSHELL 5 GREASE WHEN INSTALLING SEAL  
 3 LUBRICATE WITH AEROSHELL 5 GREASE
- (B)
- ITEM NUMBERS REFER TO IPL FIG. 17 OR 18

Wheel and Hub Details  
 Figure 709 (Sheet 4)

**32-11-20**

ASSEMBLY  
 Page 754  
 Jul 01/02

01.101



ANTISKID ASSEMBLY (50)

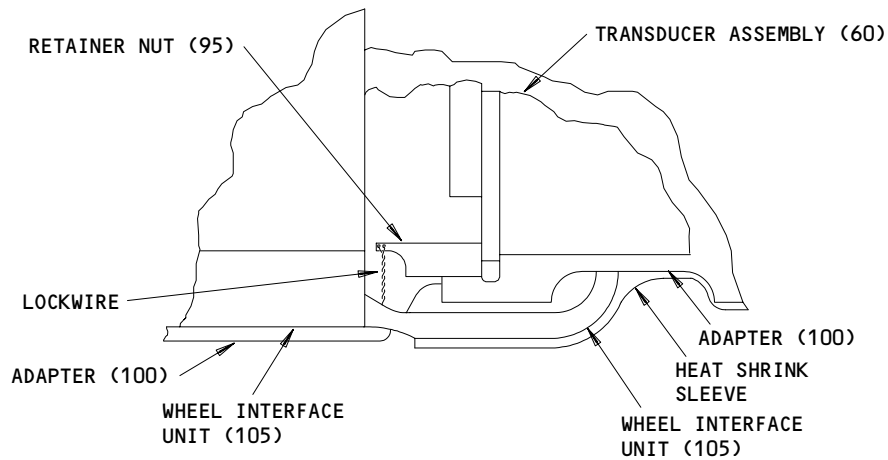
165T0101-105  
Assembly Details  
Figure 710 (Sheet 1)

**32-11-20**

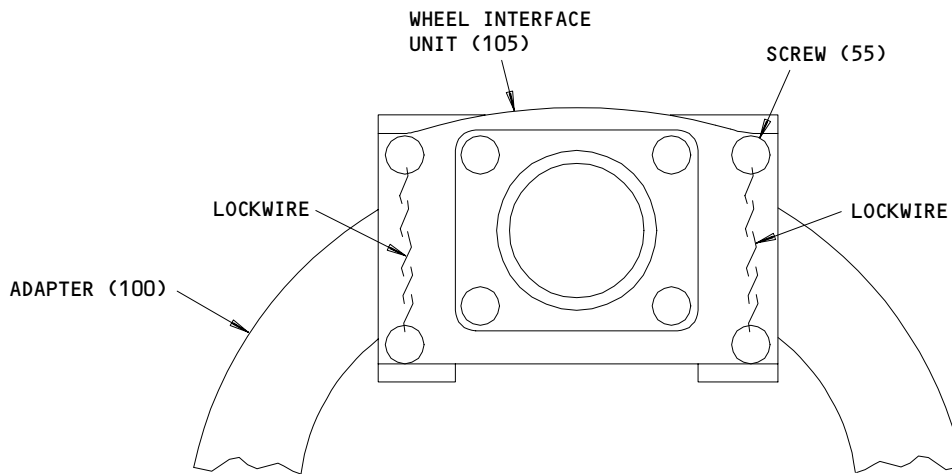
ASSEMBLY  
Page 755  
Jul 01/02

01.101





A-A



B-B

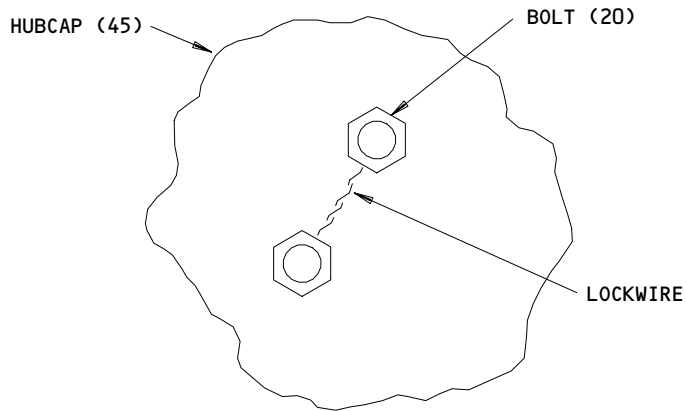
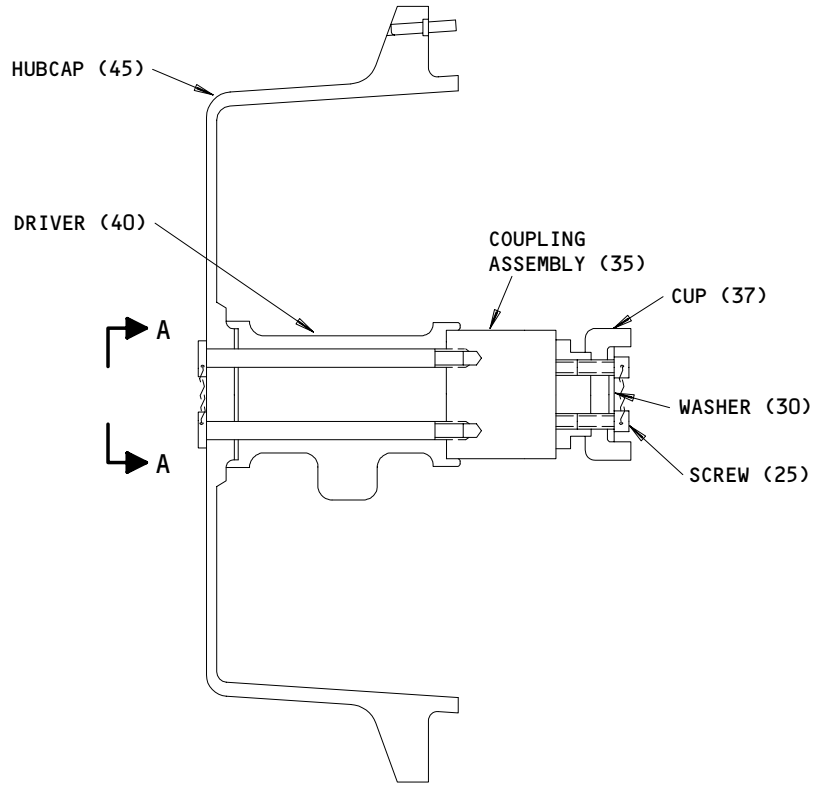
165T0101-105  
 Assembly Details  
 Figure 710 (Sheet 2)

**32-11-20**

ASSEMBLY  
 Page 756  
 Jul 01/02

01.101

794476



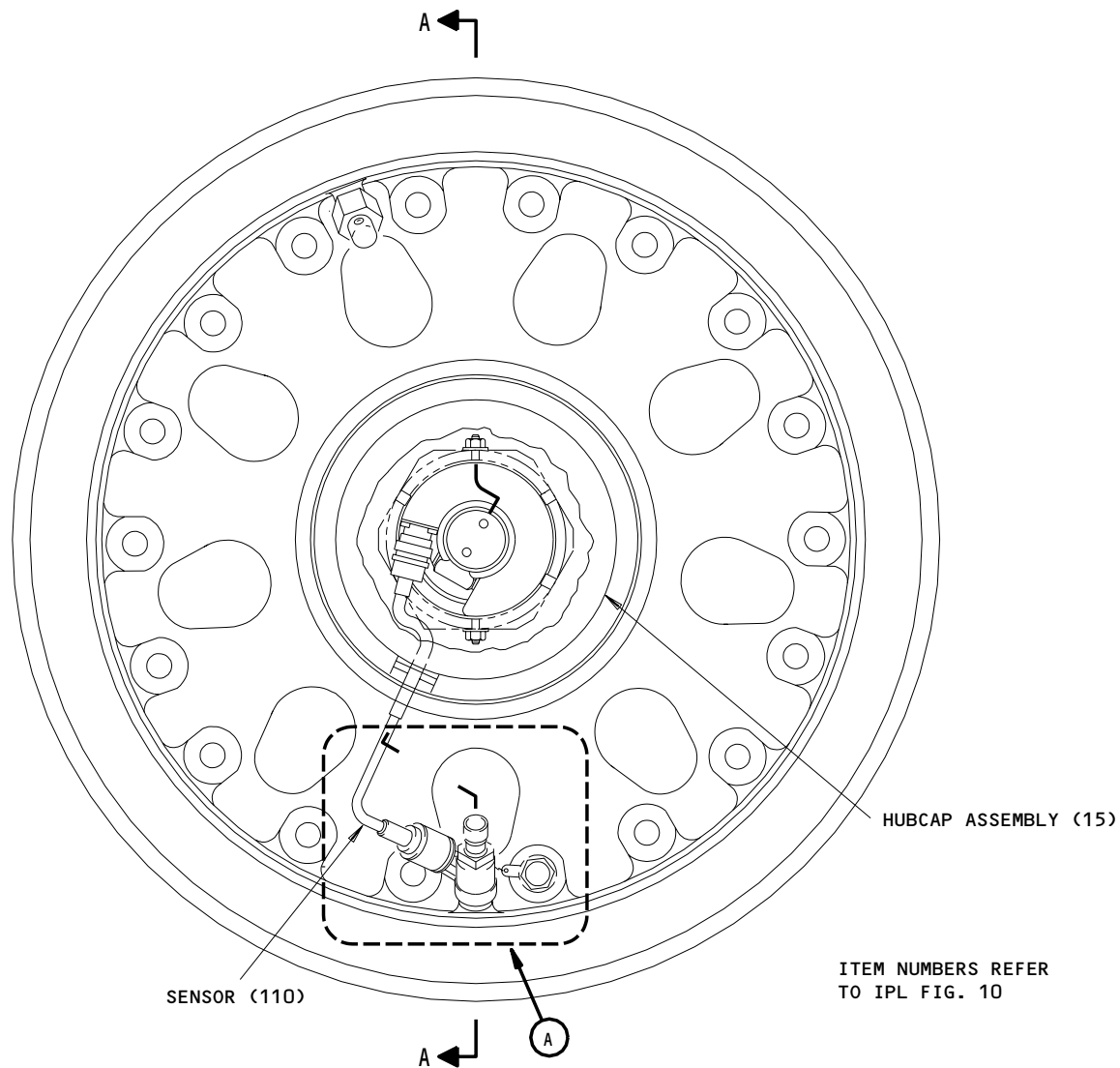
A-A

165T0101-104  
Hubcap Assembly  
Figure 711

**32-11-20**

ASSEMBLY  
Page 757  
Jul 01/02

01.101



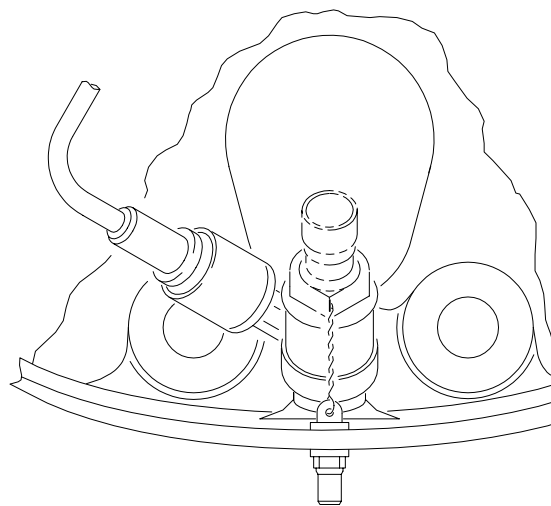
**NOTE:** PORTION OF HUBCAP NOT SHOWN FOR CLARITY.

165T0101-6  
Tire Pressure Indicating System Details  
Figure 712 (Sheet 1)

**32-11-20**

ASSEMBLY  
Page 758  
Jul 01/02

01.101



LOCKWIRE DETAILS FOR STANDARD  
STRENGTH WHEELS

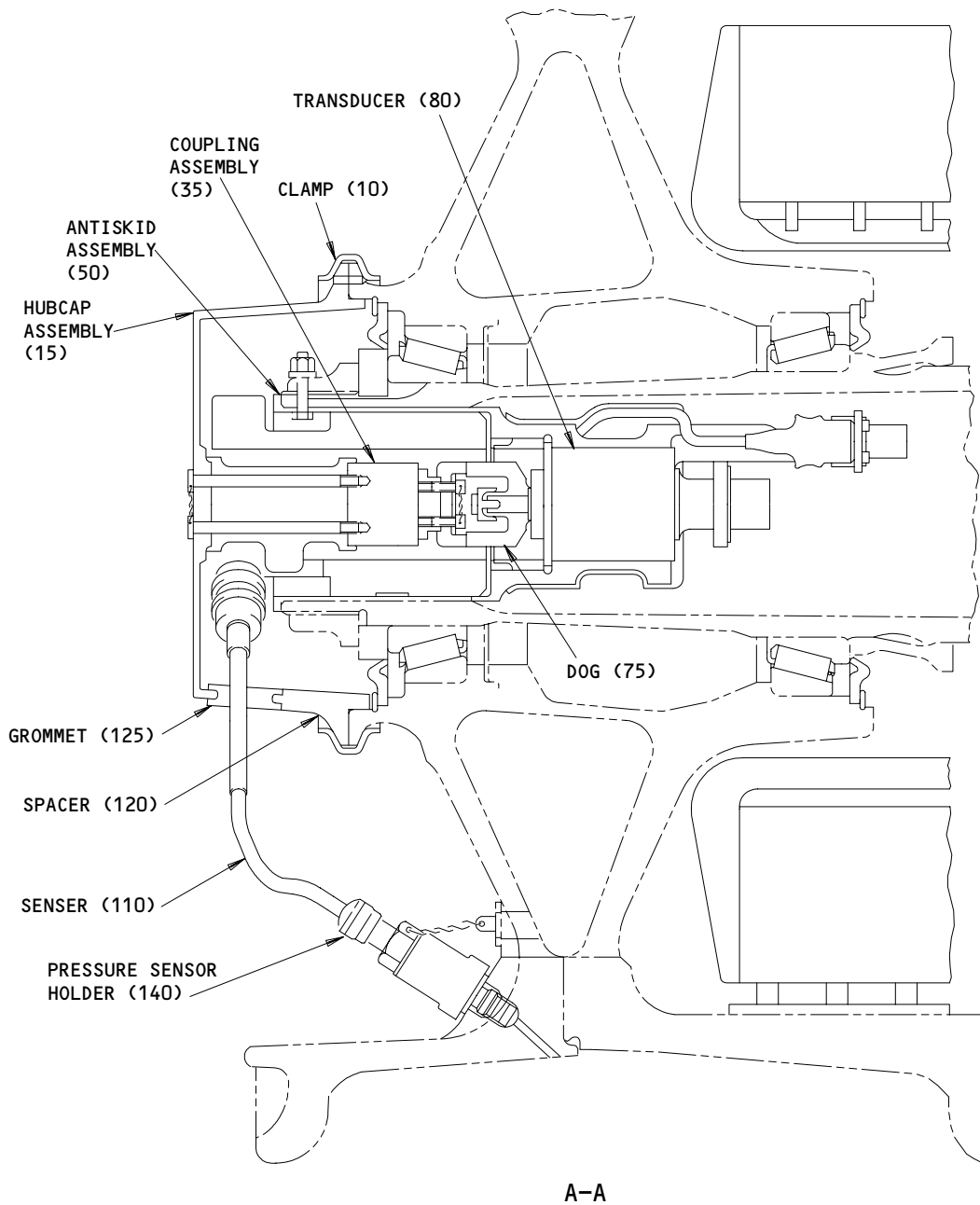
(A)

165T0101-6  
Tire Pressure Indicating System Details  
Figure 712 (Sheet 2)

**32-11-20**

ASSEMBLY  
Page 759  
Jul 01/02

01.101



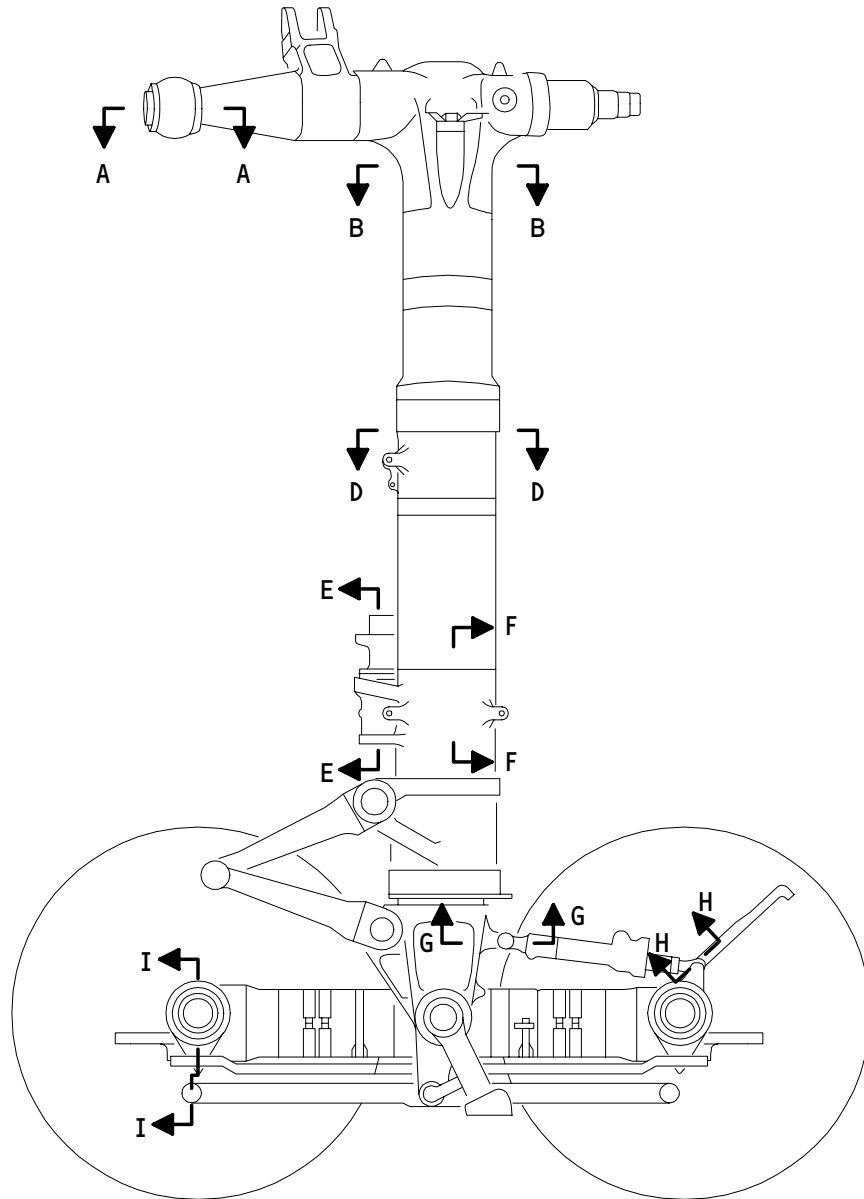
165T0101-6  
Tire Pressure Indicating System Details  
Figure 712 (Sheet 3)

**32-11-20**

ASSEMBLY  
Page 760  
Jul 01/02

01.101

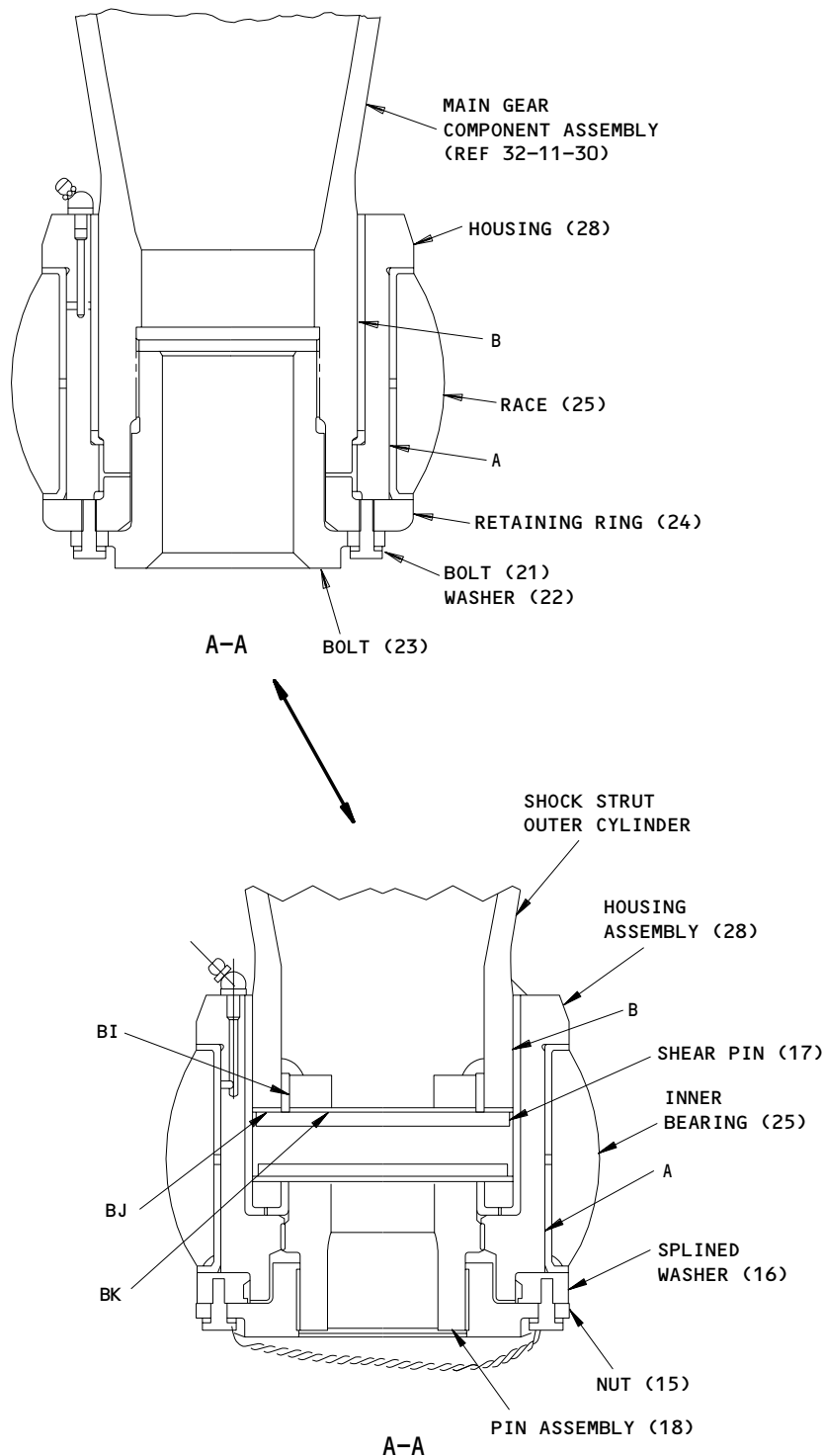
FITS AND CLEARANCES



Fits and Clearances  
Figure 801 (Sheet 1)

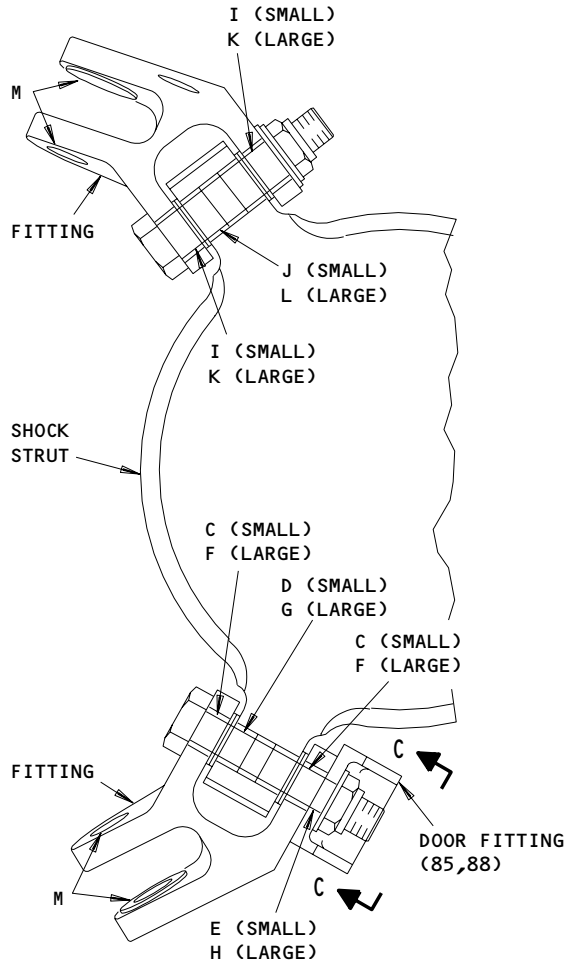
**32-11-20**

FITS AND CLEARANCES  
01.1 Page 801  
Apr 01/88

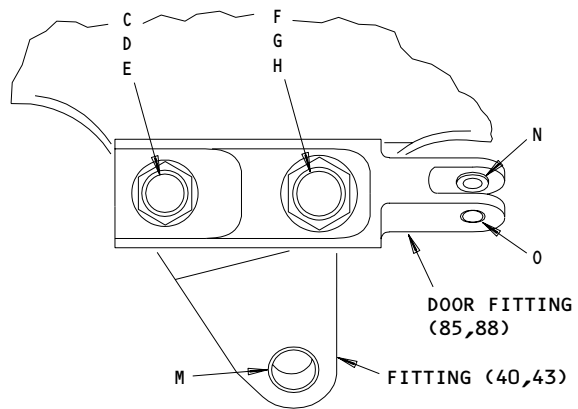


Fits and Clearances  
 Figure 801 (Sheet 2)

**32-11-20**



B-B



C-C

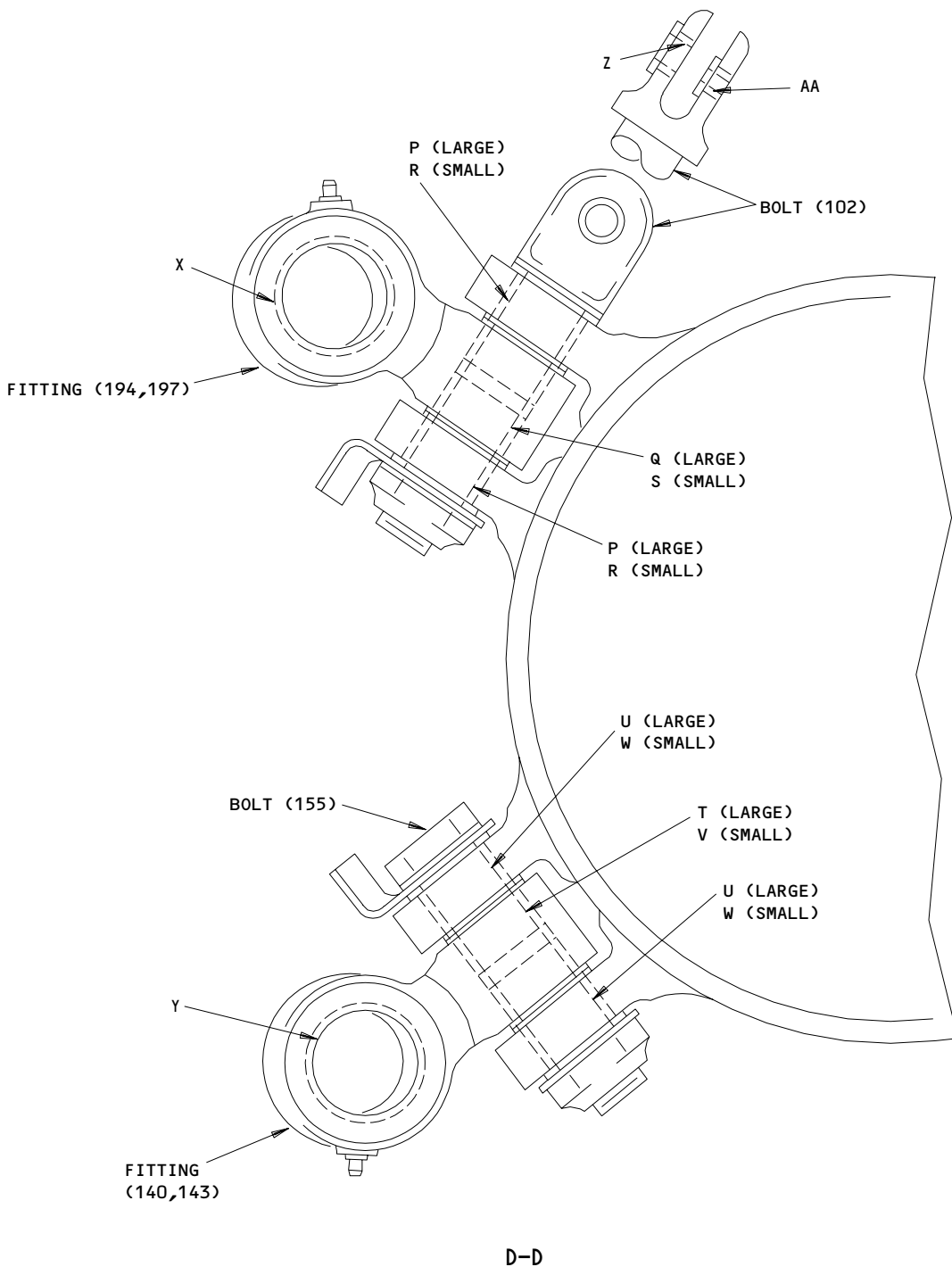
ITEM NUMBERS REFER TO IPL FIG. 17 OR 18

Fits and Clearances  
Figure 801 (Sheet 3)

**32-11-20**

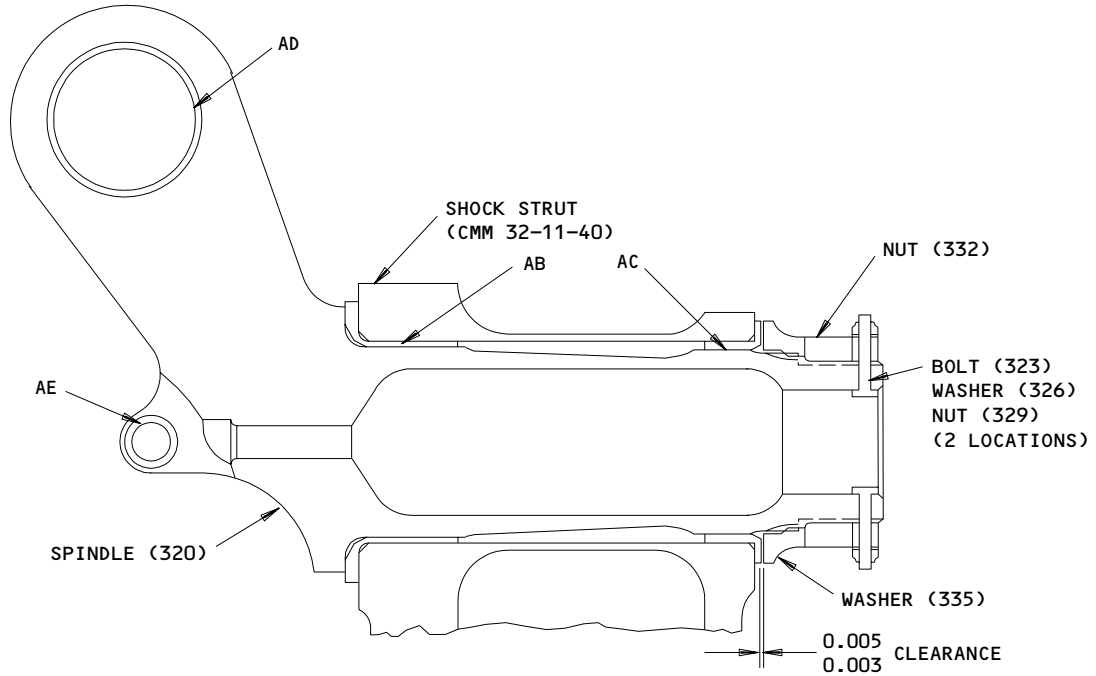
FITS AND CLEARANCES  
01.1 Page 803  
Nov 01/99



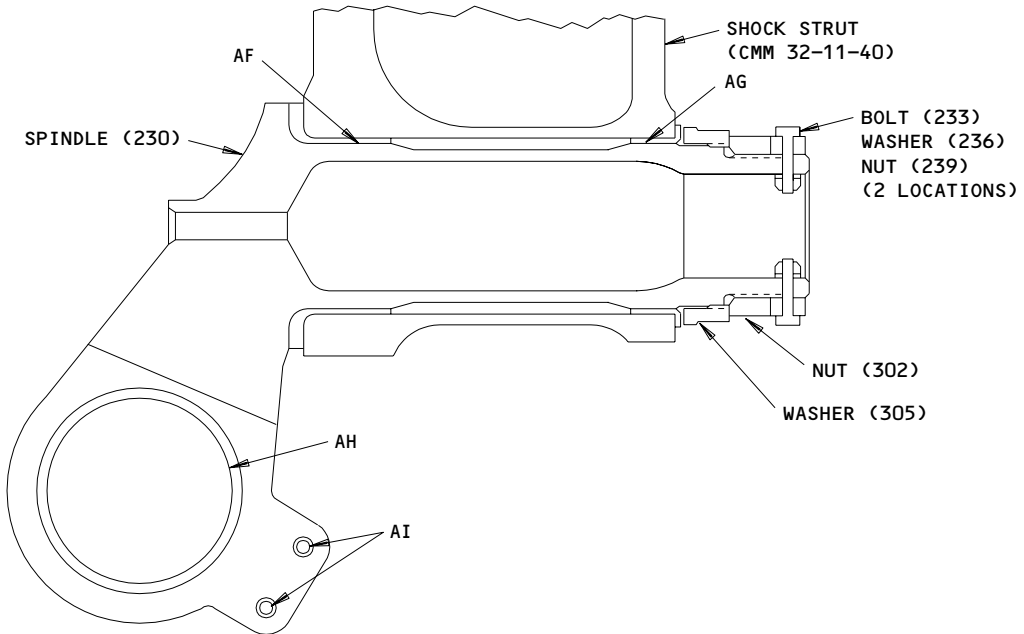


**Fits and Clearances  
 Figure 801 (Sheet 4)**

**32-11-20**



E-E

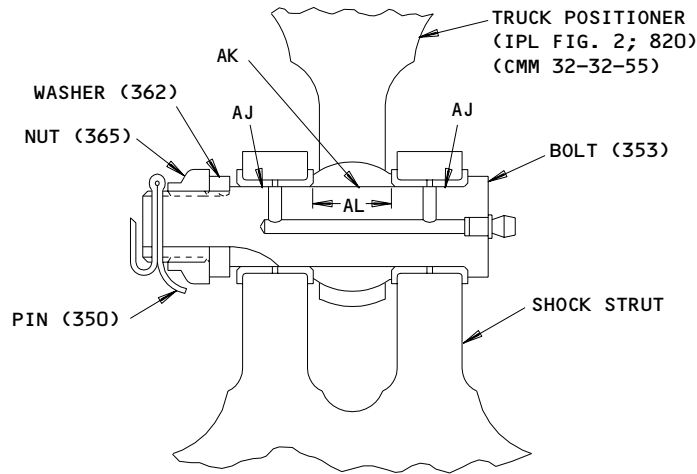


F-F

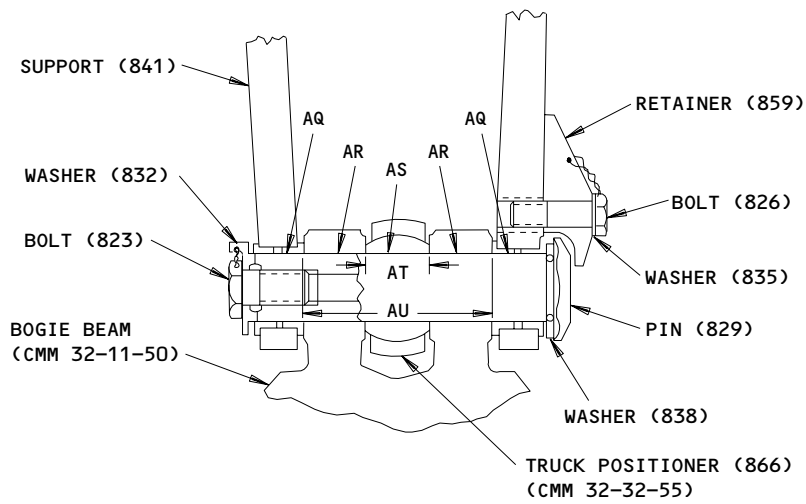
Fits and Clearances  
Figure 801 (Sheet 5)

**32-11-20**

FITS AND CLEARANCES  
01.1 Page 805  
Nov 01/99



G-G

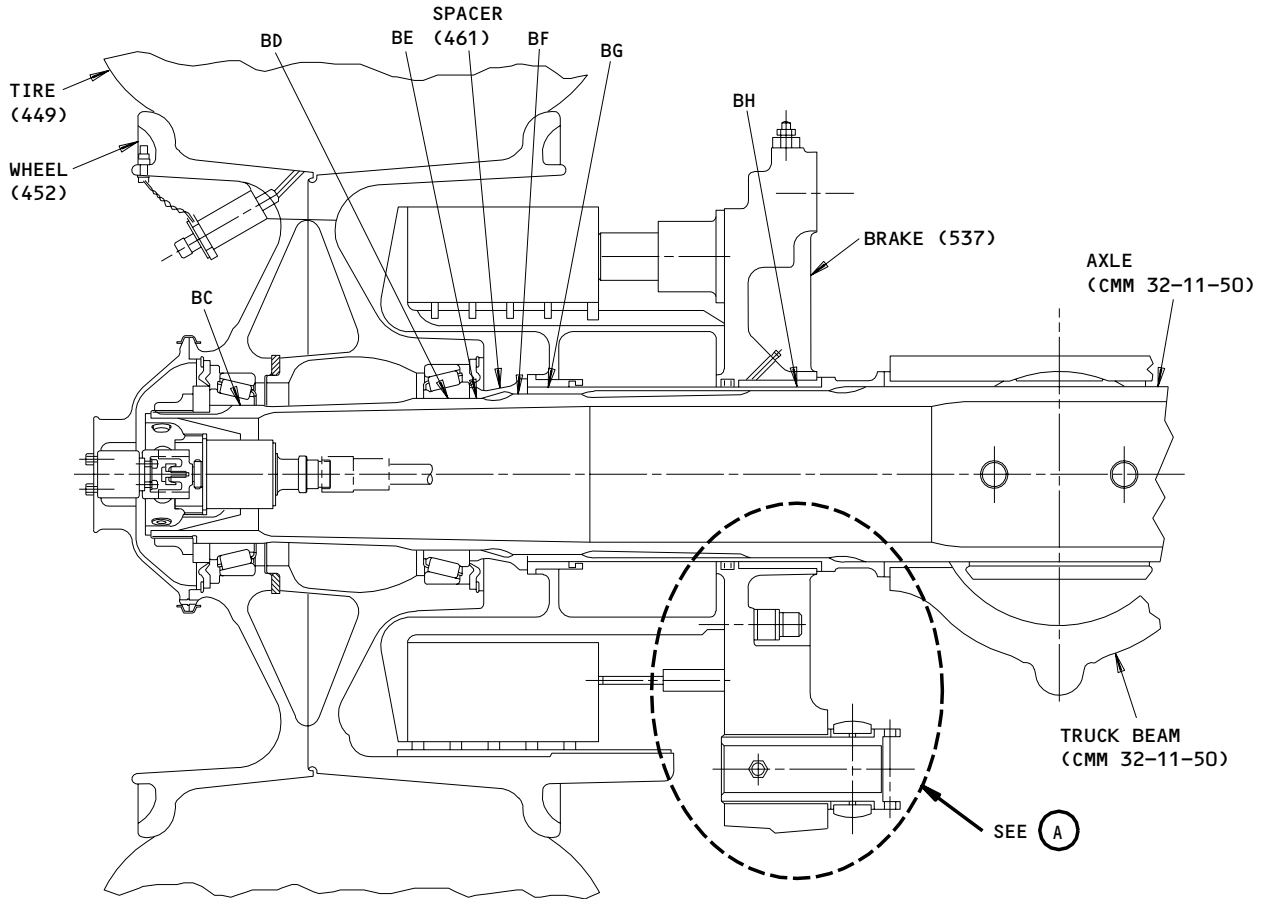


H-H 17

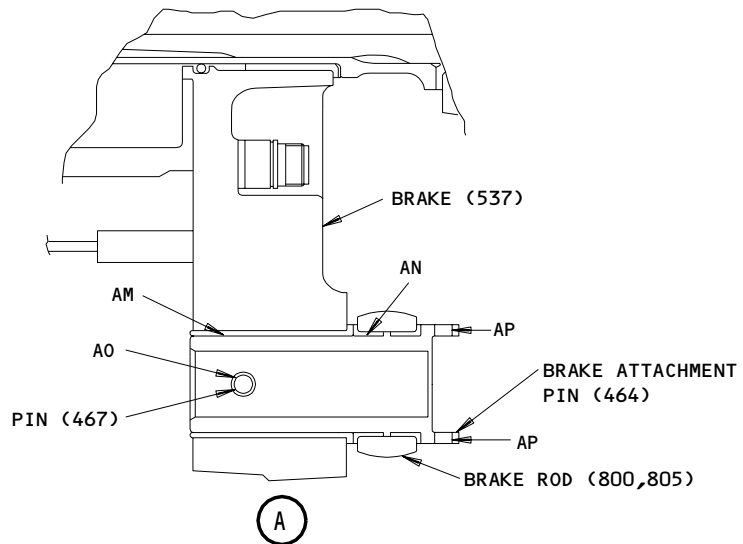
Fits and Clearances  
 Figure 801 (Sheet 6)

**32-11-20**

FITS AND CLEARANCES  
 01.1 Page 806  
 Nov 01/99

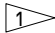
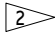
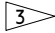
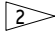
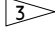


I-I



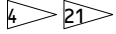
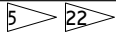
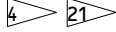
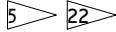
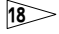

Fits and Clearances  
Figure 801 (Sheet 7)

**32-11-20**

REF LETTER	REF IPL	DESIGN DIMENSION*				SERVICE WEAR LIMIT*		
	FIG. 17 OR 18, MATING ITEM NO.	DIMENSION		ASSEMBLY CLEARANCE		DIMENSION		MAXIMUM CLEARANCE
		MIN	MAX	MIN	MAX	MIN	MAX	
A	ID 23	5.2500	5.2515	0.0010	0.0045	5.2425	5.2580	0.0090
	OD 28	5.2470	5.2490					
B	ID 34	4.2330	4.2345	0.0010	0.0045	4.2259	4.2406	0.0086
	OD 	4.2300	4.2320					
C	ID 76	0.7580	0.7595	0.0090	0.0115	0.7463	0.7622	0.0132
	OD 49	0.7480	0.7490					
D	ID 	0.7580	0.7595	0.0090	0.0115	0.7463	0.7622	0.0132
	OD 49	0.7480	0.7490					
E	ID 96	0.7650	0.7720	0.0160	0.0240	0.7463	0.7747	0.0257
	OD 49	0.7480	0.7490					
F	ID 73	0.8830	0.8845	0.0090	0.0115	0.8711	0.8874	0.0134
	OD 61	0.8730	0.8740					
G	ID 	0.8830	0.8845	0.0090	0.0115	0.8711	0.8874	0.0134
	OD 61	0.8730	0.8740					
H	ID 96	0.8906	0.8913	0.0166	0.0183	0.8711	0.8942	0.0202
	OD 61	0.8730	0.8740					
I	ID 76	0.7580	0.7595	0.0090	0.0115	0.7463	0.7622	0.0132
	OD 46	0.7480	0.7490					
J	ID 	0.7580	0.7595	0.0090	0.0115	0.7463	0.7622	0.0132
	OD 46	0.7480	0.7490					
K	ID 73	0.8830	0.8845	0.0090	0.0115	0.8711	0.8869	0.0129
	OD 58	0.8730	0.8740					
L	ID 	0.8830	0.8845	0.0090	0.0115	0.8711	0.8874	0.0134
	OD 58	0.8730	0.8740					
M	70	0.8750	0.8765					
N	91	0.5620	0.5627					
O	93	0.3750	0.3756					

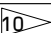
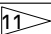
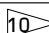
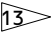
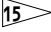
Fits and Clearances  
 Figure 801 (Sheet 8)

**32-11-20**

REF LETTER	REF IPL	DESIGN DIMENSION*				SERVICE WEAR LIMIT*		
	FIG. 17 OR 18, MATING ITEM NO.	DIMENSION		ASSEMBLY CLEARANCE		DIMENSION		MAXIMUM CLEARANCE
		MIN	MAX	MIN	MAX	MIN	MAX	
P	ID 	1.1220	1.1235	0.0030	0.0055			
	OD 150A	1.1180	1.1190					
Q	ID 215	1.1250	1.1280	0.0060	0.0100	1.1159	1.1311	0.0121
	OD 102	1.1180	1.1190					
R	ID 	0.8770	0.8785	0.0030	0.0055	0.8711		
	OD 250A	0.8730	0.8740					
S	ID 212	0.8750	0.8780	0.0010	0.0050	0.8711	0.8809	0.0069
	OD 200	0.8730	0.8740					
T	ID 173	1.1250	1.1280	0.0060	0.0100	1.1159	1.1311	0.0121
	OD 155	1.1180	1.1190					
U	ID 	1.1220	1.1235	0.0030	0.0055	1.1158	1.1267	0.0077
	OD 201	1.1180	1.1190					
V	ID 170	0.8750	0.8780	0.0010	0.0050	0.8711	0.8809	0.0069
	OD 146	0.8730	0.8740					
W	ID 	0.8770	0.8785	0.0030	0.0055	0.8711	0.8814	0.0074
	OD 190A	0.8730	0.8740					
X	ID 218,221	1.5625	1.5655	0.0000	0.0040	1.5590	1.5690	0.0065
	OD 	1.5615	1.5625					
Y	ID 176,179	1.6250	1.6280	0.0010	0.0050	1.6205	1.6315	0.0075
	OD 	1.6230	1.6240					
Z	ID 108	0.5625	0.5640					

Fits and Clearances  
Figure 801 (Sheet 9)

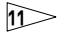

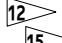
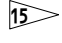
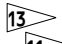
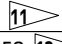
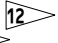

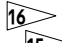
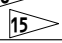
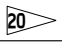
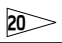


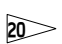

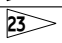
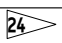
**32-11-20**

REF LETTER	REF IPL		DESIGN DIMENSION*				SERVICE WEAR LIMIT*		
	FIG. 17 OR 18, MATING ITEM NO.		DIMENSION		ASSEMBLY CLEARANCE		DIMENSION		MAXIMUM CLEARANCE
			MIN	MAX	MIN	MAX	MIN	MAX	
AA	ID	105	0.3750	0.3765					
AB	ID		4.0000	4.0015	0.0010	0.0045	3.9930	4.0075	0.0085
	OD	347	3.9970	3.9990					
AC	ID		3.8750	3.8765	0.0010	0.0045	3.8849	3.8824	0.0084
	OD	347	3.8720	3.8740					
AD	ID	344	3.0000	3.0015					
AE	ID	341	0.7500	0.7515					
AF	ID		3.2500	3.2515	0.0010	0.0055	3.2424	3.2581	0.0091
	OD	317	3.2460	3.2490					
AG	ID		3.1880	3.1895	0.0020	0.0065	3.1794	3.1961	0.0101
	OD	317	3.1830	3.1860					
AH	ID	314	3.7500	3.7515					
AI	ID	311	0.3200	0.3215					
AJ	ID		1.0000	1.0015	0.0010	0.0035	0.9960	1.0045	0.0055
	OD	353	0.9980	0.9990					
AK	ID		0.9995	1.0000	0.0005	0.0020	0.9960	1.0030	0.0040
	OD	353	0.9980	0.9990					
AL	ID	 	0.935	0.947	0.0000	0.0170	0.9130	0.9690	0.0340
	OD	 	0.930	0.935					
AM	OD	482	1.997	1.999					
AN	ID	815	2.0000	2.0015	0.0010	0.0045	1.9942	2.0180	0.0190
	OD	482	1.9970	1.9990					
AO	ID	479	0.3850	0.3890	0.0105	0.0155	0.3723	0.3912	0.0167
	OD	470	0.3735	0.3745					
AP	ID	482	0.365	0.385					
AQ	ID	850 	1.0000	1.0015	0.0010	0.0035	0.9960	1.0045	0.0055
	OD	829 	0.9980	0.9990					
AR	ID		1.0000	1.0015	0.0010	0.0035	0.9960	1.0045	0.0055
	OD	829 	0.9980	0.9990					

 Fits and Clearances  
 Figure 801 (Sheet 10)

**32-11-20**

 FITS AND CLEARANCES  
 01.1 Page 810  
 Nov 01/99

REF LETTER	REF IPL FIG. 17 OR 18, MATING ITEM NO.	DESIGN DIMENSION*				SERVICE WEAR LIMIT*		
		DIMENSION		ASSEMBLY CLEARANCE		DIMENSION		MAXIMUM CLEARANCE
		MIN	MAX	MIN	MAX	MIN	MAX	
AS	ID 	0.9995	1.0000	0.0005	0.0020	0.9960	1.0030	0.0040
	OD 829 	0.9980	0.9990					
AT	ID  	0.935	0.944	0	0.0170	0.9130	0.9690	0.0340
	OD  	0.930	0.935					
AU	ID 850  	2.816	2.846	0.0120	0.0610	2.724	2.926	0.1220
	OD  	2.785	2.804					
BC	ID 452	4.3320	4.3330	0.0030	0.0055	4.3233	4.3387	0.0097
	OD 	4.3275	4.3290					
BD	ID 452	4.7500	4.7510	0.0010	0.0035	4.7431	4.7569	0.0079
	OD 	4.7475	4.7490					
BE	ID 461	4.7500	4.7515	0.0010	0.0040	4.7431	4.7574	0.0084
	OD 	4.7475	4.7490					
BF	ID 461	5.0030	5.0050	0.0040	0.0080	4.9925	5.0115	0.0125
	OD 	4.9970	4.9990					
BG	ID 537	5.5060	5.5080	0.0050	0.0100	5.4933	5.5157	0.0147
	OD 	5.4980	5.5010					
BH	ID 537	5.5060	5.5080	0.0050	0.0100	5.4933	5.5157	0.0147
	OD 	5.4985	5.5010					
BI	ID 	3.0000	3.0015	0.0010	0.0035	2.9945	3.0060	0.0070
	OD 18	2.9980	2.9990					
BJ	ID 	1.0725	1.0740	0.0110	0.0135	1.0584	1.0771	0.0156
	OD 17	1.0605	1.0615					
BK	ID 18	1.0625	1.0640	0.0010	0.0035	1.0584	1.0671	0.0056
	OD 17	1.0605	1.0615					

\* ALL DIMENSIONS ARE IN INCHES

Fits and Clearances  
Figure 801 (Sheet 11)

**32-11-20**

FITS AND CLEARANCES  
01.1 Page 811  
Nov 01/99

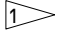
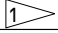
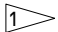
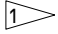
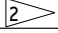
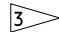

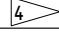
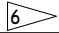


- 1 SHOCK STRUT OUTER CYLINDER DIAMATER -X-  
(CMM 32-11-40)
- 2 SMALL BUSHING (415) 161T1210-24 IN SHOCK  
STRUT OUTER CYLINDER (CMM 32-11-40)
- 3 LARGE BUSHING (410) 161T1210-23 IN SHOCK  
STRUT OUTER CYLINDER (CMM 32-11-40)
- 4 LARGE BUSHING (420) 161T1210-25 IN SHOCK  
STRUT OUTER CYLINDER (CMM 32-11-40)
- 5 SMALL BUSHING (425) 161T1210-26 IN SHOCK  
STRUT OUTER CYLINDER (CMM 32-11-40)
- 6 BUSHING (360) 161T1117-1 IN SHOCK STRUT  
OUTER CYLINDER (CMM 32-11-40)
- 7 BUSHING (365) 161T1118-1 IN SHOCK STRUT  
OUTER CYLINDER (CMM 32-11-40)
- 8 BUSHING (370) 161T1122-1 IN SHOCK STRUT  
OUTER CYLINDER (CMM 32-11-40)
- 9 BUSHING (375) 161T1123-1 IN SHOCK STRUT  
OUTER CYLINDER (CMM 32-11-40)
- 10 BUSHING (175) 161T1210-21 IN SHOCK STRUT  
OUTER CYLINDER (CMM 32-11-40)
- 11 BEARING (45) 270T0002-16 IN TRUCK  
POSITIONER (CMM 32-32-55)
- 12 DISTANCE BETWEEN BUSHING FLANGES (TOTAL,  
INSIDE)
- 13 BALL WIDTH
- 14 DELETED
- 15 BUSHING (120) 161T1210-21 IN BOGIE BEAM  
(CMM 32-11-50)
- 16 DISTANCE OVER BUSHING FLANGES (TOTAL,  
OUTSIDE)
- 17 IPL FIG. 2
- 18 SIDE STRUT LOCK LINK SPINDLE (45)  
161T2032-1 (CMM 32-11-70)
- 19 DRAG STRUT JURY STRUT SPINDLE (95)  
161T6015-1 (CMM 32-11-60)
- 20 AXLE (95)(CMM 32-11-50)
- 21 LARGE BUSHING (420A) 161T1210-63 IN SHOCK  
STRUT OUTER CYLINDER (CMM 32-11-40)
- 22 SMALL BUSHING (425A) 161T1210-64 IN SHOCK  
STRUT OUTER CYLINDER (CMM 32-11-40)
- 23 BUSHING 161T1328-1 IN SHOCK STRUT OUTER  
CYLINDER (CMM 32-11-40)
- 24 BUSHING 161T1330-2 IN SHOCK STRUT OUTER  
CYLINDER (CMM 32-11-40)

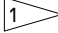
Fits and Clearances  
Figure 801 (Sheet 12)

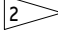
**32-11-20**


FITS AND CLEARANCES  
01.1 Page 812  
Nov 01/99

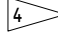
REF IPL		NAME	TORQUE*	
FIG. NO.	ITEM NO.		POUND-INCHES	POUND-FEET
17 OR 18	15	NUT		15-20 
17 OR 18	23	BOLT		15-20 
17 OR 18	46,49	BOLT		35-40
17 OR 18	58,61	BOLT		50-55
17 OR 18	102,155	BOLT		65-70 
17 OR 18	119,164	NUT		65-70
17 OR 18	146,200A	BOLT		50-55 
17 OR 18	302,332	NUT		250-300 
17 OR 18	368	CLAMP (NUT THEREON)	35-40	
17 OR 18	376,410	BOLT	30-35	
17 OR 18	385	SCREW	15-20	
17 OR 18	434	NUT		40-60
17 OR 18	440	NUT		
17 OR 18	446	FILL VALVE	150-200	
17 OR 18	476	NUT		
17 OR 18	558	CLAMP (NUTS THEREON)	25-45 	
17 OR 18	475	BOLT		40-50 THEN 5-7
17 OR 18	475J,475K	BOLT	23-28	
2	275	BOLT	65-100 	
2	274T	NUT	50-80	
2	823	BOLT	585-715	
2	826	BOLT	180-200	

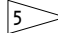
\* REFER TO SOPM 20-50-01 FOR TORQUE VALUES OF STANDARD FASTENERS.

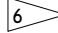
 BACK OFF, IF NECESSARY, TO ALIGN HOLES FOR LOCKBOLT OR COTTER PIN

 BACK OFF; INSERT GAGE TO OBTAIN 0.003-0.005 CLEARANCE. IF NECESSARY, BACK OFF TO NEAREST POSSIBLE LOCKING POSITION TO INSTALL LOCKBOLT

 WHILE ROTATING WHEEL, TIGHTEN NUT TO 500-600 POUND-FEET. STOP WHEEL. BACK OFF NUT TO 10-100 POUND-FEET. ROTATE WHEEL AND RETIGHTEN TO 150 POUND-FEET. IF HOLES FOR AXLE NUT LOCK BOLTS WILL NOT ENGAGE, CONTINUE TIGHTENING NUT TO FIRST AVAILABLE ALIGNMENT POSITION BUT DO NOT TIGHTEN NUT IN EXCESS OF 15 DEGREES ADDITIONAL ROTATION

 TIGHTEN NUT NO. 1 TO THIS VALUE, THEN TIGHTEN NUT NO. 2 TO MINIMUM NECESSARY TO TIGHTEN STRAP OF CLAMP

 160-240 (BEFORE SB 32-106), OR 95-160 (AFTER SB 32-106)

 AFTER SB 32A0125 ONLY. BEFORE SB 32A0125, USE STANDARD TORQUES

Torque Table  
Figure 802

**32-11-20**

FITS AND CLEARANCES  
01.1 Page 813  
Mar 01/02

SPECIAL TOOLS, FIXTURES, AND EQUIPMENT

**NOTE:** Equivalent substitutes can be used.

1. F70312-29 -- Crowfoot wrench adapter, nut 161T6019
2. F70312-32 -- Crowfoot wrench adapter, nut 161T2015
3. F70312-46 -- Crowfoot wrench adapter, nut 161T1306
4. A32007-17 -- Protector equipment, axle and axle thread (replaces A32007-16)
5. A32012-13 -- Wrench, wheel retaining nut
6. A32016-13 -- Pin puller, brake rod
7. A32028-6 -- Retention strap, shock strut inner cylinder
8. A32031-5 -- Turnbuckle, truck positioner actuator (replaces A32031-4, which supersedes A32031-1)
9. A32033-17 -- Main gear sling
10. A32056-1 -- Buildup stand (optional to B32050-1)
11. A32069-1 -- Wrench adapter, antiskid transducer retainer nut
12. B32050-1 -- Buildup fixture

**32-11-20**

SPECIAL TOOLS

01.1

Page 901

Mar 01/01

ILLUSTRATED PARTS LIST

1. This section lists and illustrates replaceable or repairable component parts. The Illustrated Parts Catalog contains a complete explanation of the Boeing part numbering system.

2. Indentures show parts relationships as follows:

Assembly

Detail Parts for Assembly

Subassembly

Attaching Parts for Subassembly

Detail Parts for Subassembly

Detail Installation Parts (Included only if installation parts may be returned to shop as part of assembly)

3. One use code letter (A, B, C, etc.) is assigned in the EFF CODE column for each variation of top assembly. All listed parts are used on all top assemblies except when limitations are shown by use code letter opposite individual part entries.

4. Letter suffixes (alpha-variants) are added to item numbers for optional parts, Service Bulletin modification parts, configuration differences (except left- and right-hand parts), product improvement parts, and parts added between two sequential item numbers. The alpha-variant is not shown on illustrations when appearance and location of all variants of the part are the same.

5. Service Bulletin modifications are shown by the notations PRE SB XXXX and POST SB XXXX.

A. When a new top assembly part number is assigned by Service Bulletin, the notations appear at the top assembly level only. The configuration differences at detail part level are then shown by use code letter.

B. When the top assembly part number is not changed by the Service Bulletin, the notations appear at the detail part level.

6. Parts Interchangeability

Optional  
(OPT)

The parts are optional to and interchangeable with other parts having the same item number.

Supersedes, Superseded By  
(SUPSDS, SUPSD BY)

The part supersedes and is not interchangeable with the original part.

Replaces, Replaced By  
(REPLS, REPLD BY)

The part replaces and is interchangeable with, or is an alternate to, the original part.

32-11-20

ILLUSTRATED PARTS LIST

01 Page 1001

Oct 10/86

VENDORS

F6137 MESSIER BUGATTI SA  
ZONE AERONAUTIQUE LOIS BREGUET-BP  
40, 78141 VELIZY, CEDS FRANCE  
FORMERLY LABINAL SA CODE FO217

K1037 DUNLOP LTD AVIATION DIV  
HOLBROOK LANE  
COVENTRY CV6 4AA, ENGLAND

S4233 BRIDGESTONE TIRE CO LTD  
1 KYOBASHI 1-CHROME  
CHUO-KU, TOKYO 104 JAPAN

Z0268 QANTAS AIRWAYS LTD  
QANTAS INTERNATIONAL CENTRE INTERNATIONAL SQUARE  
SYDNEY NSW 2000, AUSTRALIA

0A1K8 MICHELIN AIRCRAFT TIRE CORP  
ONE PARKWAY SOUTH  
P. O. BOX 19001  
GREENVILLE, SOUTH CAROLINA 29615-9001  
FORMERLY IN AKRON, OH; IN CHARLOTTE, NC

0FKM1 ALEMITE CORP  
167 ROWLAND DR  
JOHNSON CITY, TENNESSEE 37601

OPTK6 SPS TECHNOLOGIES INC AEROSPACE PRODUCTS DIV  
5195 W 4700  
SALT LAKE CITY, UTAH 94118  
SEE V56878 SPS TECHNOLOGIES INC

00624 EATON AEROQUIP INC ENGINEERED SYSTEMS DIV  
300 S EAST AVE  
JACKSON, MICHIGAN 49203-1972  
FORMERLY AEROQUIP ELBEE PLANT V99879 OR WESTERN PLANT  
V70128; FORMERLY AEROQUIP AEROSP DIV JACKSON PLANT;  
FORMERLY V11328 AEROQUIP LINAIR DIV; LAWRENCE PLANT V26622

01673 AIRDROME PRECISION COMPONENTS  
3251 E AIRPORT WAY  
LONG BEACH, CALIFORNIA 90806-2407  
FORMERLY AIRDROME PARTS CO

02107 FLOUROCARBON CO OHIO DIV  
DOVER, OHIO 44622  
CANCELLED NO REPLACEMENT  
FORMERLY SPARTA MANUFACTURING CO

32-11-20

ILLUSTRATED PARTS LIST  
01.1 Page 1002  
Nov 01/05

VENDORS

03481 GOODRICH BF CO, AEROSPACE DIV, ENG POLYMER PRODUCTS  
150 DIVISION DRIVE  
WILMINGTON, NORTH CAROLINA 28401  
FORMERLY IN AKRON, OHIO

03925 PARKER-HANNIFIN CORP STRATOFLEX AEROSPACE/MILITARY CONN DIV  
17671 ARMSTRONG AVENUE PO BOX 16819  
IRVINE, CALIFORNIA 92713-6819  
FORMERLY IN HAWTHORNE AND SANTA ANA, CALIFORNIA  
FORMERLY STRATOFLEX INCORPORATED

05341 BEARING ENGINEERS INC  
27 ARGONAUT  
ALISO-VIEJO, CALIFORNIA 92656  
FORMERLY BEARING ENGRG INC VB0031

05693 CHERRY/TEXTRON INC CHERRY COMMERCIAL FASTENERS PROD DIV  
1224 EASST WARNER AVE  
SANTA ANA, CALIFORNIA 92705  
FORMERLY TOWNSEND CO CHERRY RIVET DIV AND TEXTRON INC  
CHERRY FASTENERS UNIT

0587B YOKOHAMA RUBBER CO LTD SEE VS5825

06725 AIR INDUSTRIES CORPORATION  
12570 KNOTT STREET  
GARDEN GROVE, CALIFORNIA 92641-3932  
FORMERLY AIR INDUSTRIES OF CALIF IN GARDENA, CALIF.

06851 RESISTOFLEX CORP WESTERN DIV SEE RESISTOFLEX DIV OF  
UNIDYNAMICS CORP V50599

07128 TETRAFLUOR INC  
2051 EAST MAPLE AVENUE  
EL SEGUNDO, CALIFORNIA 90245-5009  
FORMERLY ROYAL IND TETRAFLUOR DIV V0667B ENGLEWOOD CALIF

07649 SENIOR FLEXONICS METAL BELLOWS DIV  
1075 PROVIDENCE HWY  
SHARON, MASSACHUSETTS 02067  
METAL BELLOWS SEE PARKER-HANNIFIN V92003

08524 DEUTSCH FASTENER CORP SEE CODE V97928

0940B SUMITOMO RUBBER INDUSTRIES LTD  
1-1 TSUTUI-CHO, 1 CHROME, CHUO-KU, KOBE PO BOX 345  
KOBE PORT, KOBE 651-01 JAPAN

32-11-20

ILLUSTRATED PARTS LIST  
01.1 Page 1003  
Nov 01/05

VENDORS

- 10234 EG AND G KT AEROFAB  
203 NORTH JOHNSON AVENUE PO BOX 1446  
EL CAJON, CALIFORNIA 92020-3111  
FORMERLY WILPAC MFG, STEVENS AIR SYS INC, AND KT AEROFAB
- 11328 AEROQUIP CORP AEROSPACE SEE V00624 EATON
- 11362 PARKER-HANIFFIN CORP STRATOFLEX DIV  
3353 OLD CONEJO ROAD  
NEWBURY PARK, CALIFORNIA 91320-2162  
FORMERLY SYMETRICS INC.
- 11815 CHERRY AEROSPACE FASTENERS DIV OF TEXTRON  
1224 EAST WARNER AVENUE PO BOX 2157  
SANTA ANA, CALIFORNIA 92707-0157  
FORMERLY IN LOS ANGELES, CALIF, FORMERLY CHERRY FASTENERS  
TOWNSEND DIV OF TEXTRON INC V71087
- 14242 VOSS INDUSTRIES INC  
2168 WEST 25TH STREET  
CLEVELAND, OHIO 44113-4115
- 14397 FABER ENTERPRISES, INCORPORATED  
6606 VARIEL AVE  
CANOGA PARK, CALIFORNIA 91303-2808
- 14798 DEUTSCH CO METAL COMPONENTS DIV  
14800 SOUTH FIGUEROA STREET  
GARDEN, CALIFORNIA 90248-1795  
FORMERLY WEATHERHEAD V79470 FOR AEROSPACE PROD V 61498  
DEUSCH CO THE DEUTSCH AEROSPACE FITTINGS CO DIV
- 15653 ALOCA GLOBAL FASTEMERS INC DIV KAYNARE PRODUCTS  
800 S STATE COLLEGE BLVD  
FULLERTON, CALIFORNIA 92831-3001  
FORMERLY VK6405 MICRODOT AEROSP LTD; FORMERLY KAYNAR TECH  
FORMERLY FAIRCHILD FASTENERS KAYNAR DIV
- 18076 UMPCO, INCORPORATED  
7100 LAMPSON AVENUE  
GARDEN GROVE, CALIFORNIA 92841-3914  
FORMERLY IN CITY OF INDUSTRY, CALIFORNIA
- 21335 TORRINGTON CO FAFNIR BEARING DIV  
59 FIELD STREET  
TORRINGTON, CONNECTICUT 06790-1008  
FORMERLY FAFNIR BRG AND TEXTRON INC FAFNIR DIV IN  
NEW BRITAIN, CONNECTICUT

32-11-20

ILLUSTRATED PARTS LIST  
01.1 Page 1004  
Nov 01/05

VENDORS

21760     SCHATZ BEARING CORP  
          10 FAIRVIEW AVENUE PO BOX 1191  
          POUGHKEEPSIE, NEW YORK 12601-1312  
          FORMERLY FEDERAL BRG CO AND SCHATZ MFG CO V53268  
          FORMERLY SCHATZ MFG CO

22175     J & M PRODUCTS INC.  
          1647 TRUMAN STREET  
          SAN FERNANDO, CALIFORNIA 91340  
          FORMERLY IN ANAHUM CALIFORNIA AND BURBANK

22337     BRIDGESTONE/FIRESTONE INC GOV'T CONTRACTS 1  
          BRIDGESTONE PK  
          NASHVILLE, TENNESSEE 37214  
          FORMERLY FIRESTONE TIRE AND RUBBER CO GOVT CONTRACTS DIV  
          FORMERLY IN AKRON, OHIO

26066     MINNESOTA MINING & MFG CO INDUSTRIAL TAPE DIVISION  
          3M CENTER  
          ST. PAUL, MINNESOTA 55144-1000

26303     GREENE TWEED IND INC ADVANTEC DIV  
          7101 PATTERSON DRIVE PO BOX 5037  
          GARDEN GROVE, CALIFORNIA 92645-5037  
          FORMERLY OHIO AIRCRAFT SUPPLIES INC IN INGLEWOOD, CALIFORNIA  
          FORMERLY ADVANTEC DIV OF IFP INC, LOS ANGELES, CA V5P801

26879     CORONADO MFG INC  
          11069 PENROSE AVENUE  
          SUN VALLEY, CALIFORNIA 90352-2722  
          FORMERLY CORONADO PLASTICS INC IN BURBANK, CALIFORNIA

29337     HOOVER GROUP INC BALL AND ROLLER DIV  
          2220 PENDLEY ROAD PO BOX 899  
          CUMMING, GEORGIA 30130-8671  
          FORMERLY IN ERWIN, INDIANA, HOOVER UNIVERSAL CO

30780     PARKER-HANNIFIN CORP TUBE FITTING DIVISION  
          3885 GATEWAY BLVD  
          COLUMBUS, OHIO 43228  
          FORMERLY IN CLEVELAND, OHIO

30974     AEROFIT PRODUCTS INC  
          6460 DALE STREET  
          BUENA PARK, CALIFORNIA 90621-3115

32-11-20

ILLUSTRATED PARTS LIST  
01.1           Page 1005  
                  Nov 01/05



VENDORS

38443 MRC BEARINGS  
402 CHANDLER STREET  
JAMESTOWN, NEW YORK 14701-3802  
FORMERLY MARLIN-ROCKWELL CORP DIV TRW AND TRW INC

40920 MPB MINIATURE PRECISION BEARING DIV  
PRECISION PARK PO BOX 547  
KEENE, NEW HAMPSHIRE 03431  
FORMERLY MPB CORP AND MINIATURE BRG DIV MPB CORP

43991 FAG BEARING INCORPORATED  
118 HAMILTON AVENUE  
STAMFORD, CONNECTICUT 06904  
FORMERLY NORMA-HOFFMAN BEARING CORPORATION  
FORMERLY NORMA FAG BEARINGS CORPORATION

5M902 ALCOA GLOBAL FASTENERS INC, DIV OF VOI-SHAN PRODUCTS  
3000 W LOMITA BLVD  
TORRANCE, CALIFORNIA 90505-5103  
FORMERLY FAIRCHILD INC INC FAIRCHILD AEROSPACE FASTENERS DIV

50599 CRANE RESISTOFLEX COMPANY  
2575 WEST 5TH STREET  
JACKSONVILLE, FLORIDA 22205  
FORMERLY RESISTOFLEX DIV OF UNIDYNAMICS  
FORMERLY V40223 TELEFLEX FLUID SYS, INC.

50808 UNITED SUPPLY CO INC  
3676 S BROADWAY PLACE  
LOS ANGELES, CALIFORNIA 90007-4432

50948 PARKER-HANNIFIN CORP HUNTSVILLE AIRCRAFT FACILITY  
9400 SOUTH MEMORIAL PARKWAY  
HUNTSVILLE, ALABAMA 35802  
FORMERLY PARKER-HANNIFIN CORP TUBE FITTINGS DIV

52828 REPUBLIC FASTENER MFG CORP  
1300 RANCHO CONEJO BLVD  
NEWBURY PARK, CALIFORNIA 91320-1405  
FORMERLY IN SYLMAR, CALIFORNIA

52930 NELSON AERO SPACE INC  
3305 BURBANK BLVD  
BURBANK, CALIFORNIA 91505-2231

32-11-20

ILLUSTRATED PARTS LIST  
01.1 Page 1006  
Nov 01/05

VENDORS

55284 HONEYWELL INTL INC DBA AIRCRAFT LANDING SYSTEMS/ALS/  
3520 WESTMOOR ST  
SOUTH BEND, INDIANA 46628-1373  
FORMERLY ALLIED-SIGNAL BENDIX WHEELS & BRAKES DIV

56878 SPS TECHNOLOGIES INC AEROSPACE AND INDUSTRIAL PRODUCTS DIV  
301 HIGHLAND AVE  
JENKINTOWN, PENNSYLVANIA 19046  
FORMERLY STANDARD PRESSED STEEL

60516 WEST COAST AEROSPACE INC  
812 MIRAFLORES STREET  
SAN PEDRO, CALIFORNIA 90731-1439

60678 ROSEMOUNT INC SUB OF EMERSON ELECTRIC CO  
1256 TRAPP ROAD  
EAGEN, MINNESOTA 55721-1217

62554 SIMMONDS MECAERO FASTENERS INC  
1734 SEQUOIA AVENUE  
ORANGE, CALIFORNIA 92668

71087 BOOTS ACFT NUT DIV TOWNSEND CO SEE TEXTRON INC CHERRY  
FASTENER TOWNSEND DIV V11815

72285 EXACTO IND INC SEE V83930

72962 HARVARD INDUSTRIES INC  
3 WERNER WAY SUITE 210  
LEBANON, NEW JERSEY 08833  
FORMERLY ESNA V7A079  
FORMERLY ELASTIC STOP NUT IN UNION, NJ

73197 HI-SHEAR TECHNOLOGY CORP  
2600 SKYPARK DRIVE  
TORRANCE, CALIFORNIA 90509

73842 GOODYEAR TIRE & RUBBER COMPANY  
1144 EAST MARKET STREET  
AKRON, OHIO 44316-3011

78118 SPLIT BALL BEARING DIV OF MPB CORP  
HIGHWAY 4  
LEBANON, NEW HAMPSHIRE 03766-7301

78570 TITFLEX CORP SUB OF BUNDY CORP  
603 HENDEE STREET PO BOX 90054  
SPRINGFIELD, MASSACHUSETTS 01139

32-11-20

ILLUSTRATED PARTS LIST  
01.1 Page 1007  
Nov 01/05

VENDORS

8W928 EATON AEROQUIP INC CLAMP PRODUCTS DIV  
RT 2 BOX 361 MEADOWBROOK RD  
EASTANOLLEE, GEORGIA 30538-0361  
FORMERLY AEROQUIP CORP IN TOCCOA, GEORGIA

80539 SPS TECHNOLOGIES INC DIV AERPSOACE - SANTA ANA  
2701 SOUTH HARBOR BOULEVARD  
SANTA ANA, CALIFORNIA 92704-5803  
FORMERLY NUTT-SHEL DIV OF SPC WESTERN CO V80539  
AND STANDARD PRESSED STEEL WESTERN DIV V17279

81982 CRANE COMPANY HYDRO-AIRE DIV  
3000 WINONA AVENUE PO BOX 7722  
BURBANK, CALIFORNIA 91510  
FORMERLY HYDRO-AIRE DIV CRANE CO AND ADEL VALVE V00502

83930 ADEL WIGGINS GROUP  
5000 TRIGGS STREET  
LOS ANGELES, CALIFORNIA 90022-4833  
FORMERLY ADEL PROD DIV OF DELAVAL TURBINE CALIF INC;  
FORMERLY EXACTO IND V72285; FORMERLY DELAVAL ADEL FSTN DIV  
FORMERLY TRANSAMERICA DELAVAL ADEL FTNRS DIV; FORMERLY IMO  
DELAVAL IN HUNTINGTON, WV

84971 TA MFG CO TA DIV  
28065 W FRANKLIN PKY PO BOX 931  
VALENCIA, CALIFORNIA 91380-9031  
FORMERLY IN LA, CALIF; SUB OF CRITON CORP, GLENDALE, CALIF

85495 BRILES MFG CO SEE V97928 OMARK INDUSTRIES  
PRECISION FASTENING SUB OF OMARK IND INC SEE DEUTSCH  
FASTENER CORP V08524  
OMARK INDUSTRIES SEE PRECISION FASTENING

88301 MYSTIK TAPE CORP  
CHICAGO, ILLINOIS 60619  
OBSOLETE RECORD LOCATION UNKNOWN

88334 DANA CORP WAREHOUSE OPERATIONS WESTERN REGION WAREHOUSE  
8140 WEBB AVE PO BOX 9657  
NORTH HOLLYWOOD, CALIFORNIA 91605-1507

9V013 TEXTRON INC FAFNIR BEARING DIV  
US RT 41 S  
CALHOUN, GEORGIA 30701-9145

32-11-20

ILLUSTRATED PARTS LIST  
01.1 Page 1008  
Nov 01/05

VENDORS

91816 CIRCLE SEAL CONTROLS INC A WATTS INDUSTRIES INC CO  
2301 WARDLOW CIRCLE PO BOX 3300  
CORONA, CALIFORNIA 91718  
FORMERLY BRUNSWICK CORP CIRCLE SEAL DIV BRUNSWICK VALVE &  
CONTROL; FORMERLY CIRCLE SEAL DIV BRUNSWICK VALVE & CONTROL  
V27409; FORMERLY ZEVCO INC V62701

92003 PARKER-HANNIFIN CORPORATION  
14300 ALTON PKWY  
IRVINE, CALIFORNIA 92618  
FORMERLY PARKER AIRCRAFT V02689; FORMERLY SCHULZ TOOL & MFG  
V82267; FORMERLY PARKER-BERTEA AEROSPACE GROUP

92215 FAIRCHILD IND INC FAIRCHILD AEROSPACE FASTENER DIV  
3010 W LOMITA BLVD  
TORRANCE, CALIFORNIA 90505-5102  
FORMERLY VOI-SHAN IN CULVER CITY, CALIF

94581 NATIONAL UTILITIES CORP/NUCO  
1700 HICKORY DRIVE PO BOX 14639  
FORT WORTH, TEXAS 76117-6020  
FORMERLY IN MONROVIA, CALIFORNIA; FORMERLY V2D588

94878 RAYBESTOS-MANHATTAN INC PACIFIC COAST DIV  
FULLERTON, CALIFORNIA 92631  
BUSINESS DISCONTINUED

95712 BENDIX CORP THE ELECTRICAL COMPONENTS DIV  
FRANKLIN, INDIANA 46131  
FACILITY DISCONTINUED

97820 BUSAK AND SHAMBAN INC BEARING DIV  
711 MITCHELL ROAD PO BOX 665  
NEWBURY PARK, CALIFORNIA 91320-2214  
FORMERLY IN CULVER CITY, CALIF; FORMERLY SHAMBAN W S & CO

97928 SEE V17446 HUCK INTL  
HUCK INTL SEE V17446 HUCK INTL  
SEE V17446 HUCK INTL

98403 AMERACE CORP CONTROL PRODUCTS DIV  
1000 HICKORY STREET  
GRAFTON, WISCONSIN 53024-1128  
FORMERLY AGASTAT DIV OF AMERACE ESNA CORP AND ELASTIC STOP  
NUT CORP V0217B AND CONTROL PRODUCTS AMERACE CORP AND  
ENERCON INC SUB OF AMERACE CORP

32-11-20

ILLUSTRATED PARTS LIST  
01.1 Page 1009  
Nov 01/05

VENDORS

- 98441 STRATOFLEX AEROSPACE MILITARY CONNECTOR DIV  
220 ROBERTS CUT-OFF  
FT. WORTH, TEXAS 76114  
FORMERLY STRATOFLEX INC; PARKER-HANNIFIN FLUID CONN GROUP;  
FORMERLY PARKER-HANNIFIN FLUID PWR DIV V82271
- 98625 AEROQUIP CORP AEROSPACE DIV MARMON PLANT SEE AEROQUIP  
CORP AEROSPACE DIV V00624

**32-11-20**

ILLUSTRATED PARTS LIST  
01.1 Page 1010  
Nov 01/05

REFERENCE DESIGNATOR INDEX (SEE SCHEMATIC DIAGRAM)		
REFERENCE DESIGNATOR	PART NUMBER	FIG-ITEM
S237	284T0267-3	4-300
S241	284T0267-4	305
S245	284T0270-1	450
S246	284T0270-2	455
S259	284T0267-7	375
S263	284T0267-8	380
S267	284T0270-3	555
S268	284T0270-4	560
TS91	284T0262-1	20
TS92	284T0262-2	25
TS93	284T0262-3	30
TS94	284T0262-4	35
TS95	284T0262-5	40
TS96	284T0262-6	45
TS97	284T0262-7	50
TS98	284T0262-8	55

**32-11-20**

PART NUMBER	AIRLINE PART NO.	FIG.	ITEM	TTL REQ
AFP107-10		2	233	4
AFP107-6		2	191	28
		2	191B	6
		2	233B	4
		7	190	2
AFP3160406		7	145	1
AFP329-060406		7	95	1
AN924-10D		2	311	1
		2	506	1
AN924-4D		7	135	1
AN924-6D		2	296	5
		2	497	3
		2	548	2
		2	661	2
		2	748	2
		7	120	3
AN960-10L		10	90	12
AN960-1616		17	113A	1
		17	158A	1
		18	113A	1
		18	158A	1
AN960-1616L		17	116L	1
		17	161A	2
		18	116L	1
		18	161A	2
AN960-416		17	22	2
		17	236	2
		17	326	2
		17	425	8
		17	513	4
		18	22	2
		18	236	2
		18	326	2
		18	425	8
		18	513	4
AN960-616		17	473	4
		17	501	1
		18	473	4
		18	501	1
AN960-616L		2	835	1
AN960-916		2	551	2
		2	757	1
AN960C10L		3	466J	12
AN960C1216		17	52	2
		18	52	2

# 32-11-20

 ILLUSTRATED PARTS LIST  
 01.1 Page 1012  
 Nov 01/05

PART NUMBER	AIRLINE PART NO.	FIG.	ITEM	TTL REQ
AN960C1416		17	64	2
		17	149	1
		17	203	1
		18	64	2
		18	149	1
		18	203	1
AN960C1616		17	113	1
		17	158	1
		18	113	1
		18	158	1
AN960C1616L		17	116	1
		17	161	2
		18	116	1
		18	161	2
AN960C416 AN960C416L		2	613	1
		17	543	2
		17	555	1
		18	543	2
AN960C616 AN960D416L AN960JD10		18	555	1
		2	670	1
		2	616	1
		2	521A	2
AN960JD10L		3	416A	4
		3	605A	2
		2	248A	16
		2	461A	9
		2	715A	5
		3	15A	2
		3	617A	4
		4	470B	2
AN960JD10LL		4	575B	2
		8	25A	16
		8	40A	8
		9	35A	16
		9	50A	8
		17	793A	16
		17	799A	8
		18	793A	16
		18	799A	8
		AN960JD1416 AN960JD416		2
3	539A			2
3	673A			3
AN960JD416L AN960JD416L		2	239A	2
		4	490B	2

**32-11-20**

ILLUSTRATED PARTS LIST  
01.1 Page 1013  
Nov 01/05



PART NUMBER	AIRLINE PART NO.	FIG.	ITEM	TTL REQ
AN960JD6L		2	577A	5
		2	634A	5
AN960JD616L		4	510B	4
AN960JD916		2	299A	2
		2	500A	3
AN960JD916L		2	302A	3
AN960PD10		4	260	2
AN960PD10L		2	248	16
		2	353	3
		2	374	2
		2	395	2
		2	422	6
		2	443	3
		2	530	4
		2	881	4
		4	195	2
		4	255	2
		4	320	4
		4	355	2
		4	395	4
		4	430	2
		6	15	4
		7	20	1
		7	70	1
AN960PD416		8	10	24
		9	20	24
		17	588	12
		17	779	24
		18	588	12
		18	779	24
AN960PD416L		2	239	2
AN960PD716		7	140	1
AN960PD716L		7	150	1
AN960PD916		7	115	2
		7	130	1

# 32-11-20

 ILLUSTRATED PARTS LIST  
 01.1 Page 1014  
 Nov 01/05

PART NUMBER	AIRLINE PART NO.	FIG.	ITEM	TTL REQ
AN960PD916L		7	125	2
		7	160	1
AN970-3		3	374	1
AN970-8		3	195	1
APS01410		8	290Q	4
		8	290R	1
		9	305X	4
		17	449Q	4
		18	449Q	4
APS01410		8	290Q	4
APS01410B		8	290R	1
		9	305X	4
		17	449Q	4
		18	449Q	4
		9	305Y	4
		8	290L	4
APS01412		9	305N	4
APS01441		10	145A	4
		17	449M	4
		18	449M	4
		8	290Q	4
		8	290R	1
APS06005		9	305X	4
		17	449Q	4
		18	449Q	4
		9	305Y	4
		8	290L	4
APS06006		9	305N	4
		10	145A	4
		17	449M	4
		18	449M	4
		18	449M	4
APS06007		8	290L	4

**32-11-20**

PART NUMBER	AIRLINE PART NO.	FIG.	ITEM	TTL REQ
APS06010		9	305S	4
APX804-060406		7	95	1
APX8330406		7	145	1
AP1028T10		2	233	4
AP1028T6		2	191	28
		2	191B	6
		2	233B	4
		7	190	2
AS115-04D0232		2	896A	1
AS115-04D0236		6	40A	1
AS115-04K0232		2	896	1
AS115-04K0236		6	40	1
AS115-06K0264		2	14	2
AS115-06K0280		2	12	2
AS115-06K0310		2	16	3
AS115-06K0360		2	8A	2
AS115-06K0370		2	11	2
AS115-06K0660		2	17B	2
AS115-10D0720		2	29A	1
AS115-10K0324		2	19	1
AS115-10K0720		2	29	1
AS152A04EE0130D		2	899A	1
		6	45A	1
AS154A04EE0130B		2	899	1
		6	45	1
AS154A06EN0700B		2	41	1
AS1581T06		2	188	34
		2	230B	4
		7	185	2
AS1581T10		2	230	4
AS4624G0212SS		2	12B	2
AS4624G0234SS		2	16B	3
AS4624G0264SS		2	12A	2
AS4624G0284SS		2	16A	3
AS4624J0246SS		2	19B	1
AS4624J0300SS		2	19A	1
BACB10BA30PP		8	100	8
		9	110	8
		17	824	8
		18	824	8

# 32-11-20

 ILLUSTRATED PARTS LIST  
 01.1 Page 1016  
 Nov 01/05

PART NUMBER	AIRLINE PART NO.	FIG.	ITEM	TTL REQ
BACB19F10		2	341	6
		2	470	9
		3	72	2
		3	111	1
		3	129	1
		3	150	4
		3	171	1
		3	476	4
		3	477	14
	BACB28AM09B020A		17	91
		18	91	1
BACB28AP06P020		17	93	1
		18	93	1
BACB28X16M010		3	198B	1
BACB28X16M026		2	850	4
BACB28X5M026		2	263	2
BACB28X6M025		2	847	4
		17	105	1
BACB28X9M025		18	105	1
		17	108	1
BACB28X9M025		18	108	1
BACB30FN6-5		4	180	2
BACB30LH3-12		12	45	2
BACB30LH3-4		12	10	2
BACB30LJ5D41		17	477	4
		18	477	4
BACB30LJ6-13		2	667	1
BACB30LT6DK68		17	470C	4
		18	470C	4
BACB30MR4HK2		2	275	16
BACB30MY6K3		8	50	44
		9	60	44
		17	803	44
		18	803	44
BACB30NM3K13		12	40	2
BACB30NT3K1		8	20A	16
		9	30A	16
		17	791A	16
		18	791A	16
BACB30PF4-18		2	518	2
BACB30PU5-18		2	236	2
BACB30UU6K19		4	505A	2
BACB30UU6K68D		17	470B	4
		18	470B	4

**32-11-20**

PART NUMBER	AIRLINE PART NO.	FIG.	ITEM	TTL REQ
BACB30VT6K4		20	5	3
		20	20	2
BACC10DM25		3	24A	2
BACC10ET080-038		3	461	2
BACC10ET130A036		2	545	1
BACC10FY081S		3	479	4
		3	480A	2
BACC10FY082S		17	557	1
		18	557	1
BACC10FY082SE		17	557A	1
		18	557A	1
BACC10FY101S		2	479	1
		2	480	1
		3	102	1
BACC10FY103SE		2	480A	1
BACC10FY115S		2	488	1
BACC10FY116S		3	153	2
BACC10FY116SE		2	488A	1
BACC10FY118S		2	494	1
BACC10GE10		3	174D	1
		3	186D	8
BACC10GE10		3	192D	2
		3	350D	2
		3	368D	2
		3	422B	3
		3	449C	2
		3	471	6
		3	611D	2
BACC10GE12		3	174A	1
		3	186A	8
		3	192A	2
		3	350A	2
		3	368A	2
		3	422A	3
		3	449A	2
		3	611	2

# 32-11-20

 ILLUSTRATED PARTS LIST  
 01.1 Page 1018  
 Nov 01/05

PART NUMBER	AIRLINE PART NO.	FIG.	ITEM	TTL REQ
BACC10GE20		3	58C	2
		3	108C	1
		3	126C	1
		3	138C	1
		3	138C	1
BACC10GE25		3	58A	2
		3	108A	1
		3	126A	1
		3	138A	1
		3	138A	1
BACC10GE25C		3	58B	2
		3	108B	1
		3	126B	1
		3	138B	1
		3	138B	1
BACC10GE7		3	428	3
		3	452	2
		3	470	4
		3	24B	2
BACC10GF20CH		3	24B	2
BACC10HB06A		2	733	2
BACC10HB10A		2	449	1
BACC10KG875NA		9	175S	4
		10	10E	4
BACC15AN10		2	338	6
		2	467	9
		3	69	2
		3	105	1
		3	123	1
BACC15AN10		3	147	4
		3	168	1
		3	473	4
		3	474	14
		20	10	3
		20	25	2
BACC30BL6		4	185	2
		8	55	44
		9	65	44
		17	805	44
		18	805	44
		18	805	44

**32-11-20**

ILLUSTRATED PARTS LIST  
01.1 Page 1019  
Nov 01/05

PART NUMBER	AIRLINE PART NO.	FIG.	ITEM	TTL REQ
BACE21AS0406		7	145	1
BACE21BM0606J		2	305A	4
		2	553A	2
		2	754A	1
BACE21BM1010J		2	317A	1
BACE21BN0606J		2	503A	3
		7	155A	1
BACE21BN1010J		2	512A	1
BACH8A04EE0130B		2	899	1
		6	45	1
BACH8A04EE0130D		2	899A	1
		6	45A	1
BACH8A06EN0700B		2	41	1
BACN10JA3		3	718	1
BACN10JA4		3	564	4
		3	584	4
		3	664	4
		3	721	3
BACN10JC12		17	55	2
		18	55	2
BACN10JC12CD		17	55A	2
		18	55A	2
BACN10JC14		17	67	2
		17	152	1
		17	206	1
		17	365	1
BACN10JC14		18	67	2
		18	152	1
		18	206	1
		18	365	1
BACN10JC14CD		17	67A	2
		17	152A	1
		17	206B	1
		17	365A	1
		18	67A	2
		18	152A	1
		18	206A	1
		18	365A	1

# 32-11-20

 ILLUSTRATED PARTS LIST  
 01.1 Page 1020  
 Nov 01/05

PART NUMBER	AIRLINE PART NO.	FIG.	ITEM	TTL REQ	
BACN10JC3		2	251	8	
		2	356	2	
		2	377	2	
		2	398	2	
		2	425	6	
		2	446	3	
		2	533	2	
		2	883	2	
		4	200	2	
		4	265	2	
		4	325	4	
		4	360	2	
		4	400	4	
		4	435	2	
		6	20	2	
		7	30	1	
		7	80	1	
	BACN10JC3CM		3	485	4
	BACN10JC4		2	242	2
			3	527	1
		17	239	2	
		17	329	2	
		17	428	8	
		17	516	4	
		17	546	2	
		18	239	2	
		18	329	2	
		18	428	8	
		18	516	4	
		18	546	2	
BACN10JC4C			2	274U	4
BACN10JC4CD			17	239A	2
		17	329A	2	
BACN10JC4CD		17	428A	8	
		17	516A	4	
		17	546A	2	
		18	239A	2	
		18	329A	2	
		18	428A	8	
		18	516A	4	
		18	546A	2	

**32-11-20**



PART NUMBER	AIRLINE PART NO.	FIG.	ITEM	TTL REQ
BACN10JC6		17	476	4
		18	476	4
BACN10JC6CD		17	474J	4
		18	474J	4
BACN10JN4		17	597	7
		18	597	7
BACN10JP3A		3	437	1
BACN10JP3B		3	45	2
BACN10KA3A		3	207	2
		17	612	2
		17	651	4
		18	610	2
		18	651	4
BACN10KB3		3	45A	2
BACN10NR10		2	233	4
BACN10NR6		2	191	28
		2	191B	6
		2	233B	4
		7	190	2
BACN10R10L		3	469	4
BACN10YA10		2	233A	4
BACN10YA10N		2	233F	4
BACN10YA6		2	191A	28
		2	191C	6
		2	191J	8
		2	233D	4
		7	190A	2
BACN10YA6L		2	191D	6
		2	191G	2
		2	233C	4
BACN10YA6L		7	190B	2
BACN10YA6N		2	191H	2
BACN10YR06CD		2	580A	5
BACN10YR3CD		2	637A	5
		2	251A	8
		2	464A	9
		2	524A	2
		2	724A	3
		12	20A	2
		12	65	2

# 32-11-20

 ILLUSTRATED PARTS LIST  
 01.1 Page 1022  
 Nov 01/05

PART NUMBER	AIRLINE PART NO.	FIG.	ITEM	TTL REQ
BACN10YR4C		2	274T	4
		17	544A	1
		18	544A	1
BACN10YR4CD		17	544	1
		18	544	1
		17	476B	4
BACN10YR6CD		18	476B	4
		2	673A	1
BACN10YR6CM		18	467A	4
		17	134A	1
BACP18BC03C10P		17	188A	1
		17	350A	1
BACP18BC04C14P		18	134A	1
		18	188A	1
BACP18BC04C16P		18	350A	1
		17	137A	1
BACR12BM211		17	191A	1
		18	137A	1
BACR15BA3AD		18	191A	1
		2	279	8
BACR15BA3AD		3	39	4
		3	204	4
		3	434	2
		3	561	8
		3	581	8
		3	661	8
		3	715	8
		4	175	4
		4	530	8
		4	532	12
		17	594	16
		17	609	4
		17	636	8
		17	648	8
		18	594	16
BACR15BA3AD		18	609	4
		18	636	8
		18	648	8
BACR15BA3ADC		20	45	12
		4	530A	8
BACR15BA4AD		2	559	2
		2	592	1
BACR15BA5AD		2	649	1
		3	587	6
		3	724	6

**32-11-20**

ILLUSTRATED PARTS LIST  
01.1 Page 1023  
Nov 01/05

PART NUMBER	AIRLINE PART NO.	FIG.	ITEM	TTL REQ	
BACR15BB5AD		8	65	72	
		9	75	72	
		17	809	72	
		18	809	72	
		3	700	2	
BACR15FT5AD		17	519	16	
BACR15FT5KE		17	525	24	
		17	606	2	
		17	621	14	
		17	645	4	
		17	660	8	
		18	519	16	
		18	525	24	
		18	606	2	
		18	621	14	
		18	645	4	
		18	660	8	
	BACR15FT6AD		3	694	3
			3	703	2
	BACR15FT6KE6C		11	30B	1
	BACS40R005F006F		2	565A	2
BACS40R8C8F		3	697	1	
BACT16AX060406		7	95	1	
BACT16AY060606		7	100	1	
BACT16AY061010		7	105	1	
BACT16BR060606P		7	100A	1	
BACU24L6		2	308A	1	
		2	664A	2	
		2	751A	1	
BACW10BN3AC		12	55	2	
BACW10BN4C		2	277	16	
BACW10BN5SC		17	477F	4	
		18	477F	4	
BACW10BP24P		7	45	1	

# 32-11-20

 ILLUSTRATED PARTS LIST  
 01.1 Page 1024  
 Nov 01/05

PART NUMBER	AIRLINE PART NO.	FIG.	ITEM	TTL REQ
BACW10BP4ACU		2	277A	16
BACW10DS5TS		17	477E	4
		18	477E	4
BACW10P224AM		2	314	1
BACW10P85S		2	556	2
BAC27TEX1137		4	280	1
		12	85	1
BAC27TEX1138		4	285	1
		12	90	1
BAC27TEX1139		4	290	1
		12	95	1
BAC27TEX1140		4	295	1
		12	100	1
BAC27TEX1141		4	440	1
BAC27TEX1142		4	445	1
BAC27TEX1143		4	365	1
BAC27TEX1144		4	370	1
BAC27TEX1188		4	550	1
		20	60	1
BAC27TEX1189		4	595	1
		20	65	1
BAC27TEX1190		4	545	1
BAC27TEX1191		4	590	1
BAC27TEX1633		4	115	1
BAC27TEX1634		4	120	1
BAC27TEX1635		4	135	1
BAC27TEX1636		4	140	1
BAC27TEX1637		4	125	1
BAC27TEX1638		4	130	1
BAC27TEX1639		4	145	1
BAC27TEX1640		4	150	1

**32-11-20**

PART NUMBER	AIRLINE PART NO.	FIG.	ITEM	TTL REQ
BC1083-081S		3	479	4
		3	480A	2
BC1083-082S		17	557	1
		18	557	1
BC1083-082SE		17	557A	1
		18	557A	1
BC1083-103SE		2	480A	1
BC1083-115S		2	488	1
BC1083-116S		3	153	2
BC1083-116SE		2	488A	1
BC1083-118S		2	494	1
BC4083-101S		2	479	1
		2	480	1
		3	102	1
BC921T10		2	233	4
BC921T6		2	191	28
		2	191B	6
		2	233B	4
		7	190	2
BMN4122AD3-12		17	55	2
		18	55	2
BMN4122AD3-14		17	67	2
		17	152	1
		17	206	1
		17	365	1
		18	67	2
		18	152	1
		18	206	1
		18	365	1
BMN4122A14		17	67	2
		17	152	1
		17	206	1
		17	365	1
		18	67	2
		18	152	1
		18	206	1
		18	365	1

# 32-11-20

 ILLUSTRATED PARTS LIST  
 01.1 Page 1026  
 Nov 01/05

PART NUMBER	AIRLINE PART NO.	FIG.	ITEM	TTL REQ		
BMN4122CPD8-12		17	55A	2		
		18	55A	2		
BMN4122CPD8-14		17	67A	2		
		17	152A	1		
		17	206B	1		
		17	365A	1		
		18	67A	2		
		18	152A	1		
		18	206A	1		
		18	365A	1		
		BRFM20A4		17	597	7
				18	597	7
BRF110A3		3	718	1		
BRF110A4		3	564	4		
		3	584	4		
		3	664	4		
		3	721	3		
		3	718	1		
BRF170A3		3	564	4		
		3	584	4		
BRF170A4		3	664	4		
		3	721	3		
		2	251	8		
		2	356	2		
		2	377	2		
BRH10A3		2	398	2		
		2	425	6		
		2	446	3		
		2	533	2		
		2	883	2		
		4	200	2		
		4	265	2		
		4	325	4		
		4	360	2		
		4	400	4		
		4	435	2		
		6	20	2		
		7	30	1		
		7	80	1		

**32-11-20**

ILLUSTRATED PARTS LIST  
01.1 Page 1027  
Nov 01/05

PART NUMBER	AIRLINE PART NO.	FIG.	ITEM	TTL REQ	
BRH10A4		2	242	2	
		3	527	1	
		17	239	2	
		17	329	2	
		17	428	8	
		17	516	4	
		17	546	2	
		18	239	2	
		18	329	2	
		18	428	8	
		18	516	4	
		18	546	2	
	BRH10A6		17	476	4
			18	476	4
	BRH10C3M		3	485	4
	BRH10C4		2	274U	4
	BRH10C4D		17	239A	2
			17	329A	2
		17	428A	8	
		17	516A	4	
		17	546A	2	
		18	239A	2	
		18	329A	2	
		18	428A	8	
		18	516A	4	
		18	546A	2	
BRH10C6D		17	474J	4	
BRH10C6D		18	474J	4	
BRM100A3		3	45	2	
BRM200A3		3	437	1	
BR1000A3		3	45A	2	

# 32-11-20

 ILLUSTRATED PARTS LIST  
 01.1 Page 1028  
 Nov 01/05

PART NUMBER	AIRLINE PART NO.	FIG.	ITEM	TTL REQ
B06A081S		3	479	4
		3	480A	2
B06A082S		17	557	1
		18	557	1
B06A101S		2	479	1
		2	480	1
		3	102	1
B06A115S		2	488	1
B06A116S		3	153	2
B06A118S		2	494	1
B472-4EE0130B		2	899	1
		6	45	1
B472-4EE0130D		2	899A	1
		6	45A	1
B472-6EN0700B		2	41	1
C106RRPP1P28LY1		8	100	8
		9	110	8
		17	824	8
		18	824	8
C106RRPOZZ		8	100	8
		9	110	8
		17	824	8
		18	824	8
C11236-211B		2	279	8
C20508000		9	290M	4
		10	115K	4
C20509000		9	310D	4
DBOE21AS0406		7	145	1
DBON10NR10		2	233	4
DBON10NR6		2	191	28
		2	191B	6
		2	233B	4
		7	190	2
DBOT16AX060406		7	95	1

**32-11-20**



PART NUMBER	AIRLINE PART NO.	FIG.	ITEM	TTL REQ
DBOT16AY060606		7	100	1
DBOT16AY061010		7	105	1
DR23521T		8	290Q	4
		8	290R	1
		9	305X	4
		17	449Q	4
		18	449Q	4
DR2560T		9	305Y	4
DR25621T		8	290Q	4
		8	290R	1
		9	305X	4
		17	449Q	4
		18	449Q	4
DR25622T		8	290L	4
		9	305N	4
		10	145A	4
		17	449M	4
		18	449M	4
DR25624T		9	305S	4
		9	306	4
ER01921-10T		2	233	4
ER01921-6T		2	191	28
		2	191B	6
		2	233B	4
		7	190	2
ER10604-060606		7	100	1
ER10604-061010		7	105	1
ER804-060406		7	95	1
ER833-0406		7	145	1
FER1551-060406		7	95	1
FER15800406		7	145	1
FER8928-10		2	233	4
FER8928-6		2	191	28
		2	191B	6
		2	233B	4
		7	190	2
F11-10		2	233	4
F11-6		2	191	28
		2	191B	6
		2	233B	4
		7	190	2
F177-3		3	718	1
F177-4		3	564	4
		3	584	4
		3	664	4
		3	721	3

# 32-11-20

 ILLUSTRATED PARTS LIST  
 01.1 Page 1030  
 Nov 01/05

PART NUMBER	AIRLINE PART NO.	FIG.	ITEM	TTL REQ
F22K1-02		3	469	4
F2400-3		3	718	1
F2400-4		3	564	4
		3	584	4
		3	664	4
		3	721	3
HL19-6-5		4	180	2
HL79-6		4	185	2
		8	55	44
		9	65	44
		17	805	44
		18	805	44
HST10AG6-4		20	5	3
		20	20	2
HST79-6		20	10	3
		20	25	2
HST79CY6		20	10	3
		20	25	2
H01-3BAC		3	485	4
H10-12BAC		17	55	2
		18	55	2
H10-14BAC		17	67	2
		17	152	1
		17	206	1
		17	365	1
		18	67	2
		18	152	1
		18	206	1
		18	365	1
H10-3BAC		2	251	8
		2	356	2
		2	377	2
		2	398	2
		2	425	6
		2	446	3
		2	533	2
		2	883	2
		4	200	2
		4	265	2
		4	325	4
		4	360	2
		4	400	4
		4	435	2
		6	20	2
		7	30	1
		7	80	1

**32-11-20**

ILLUSTRATED PARTS LIST  
01.1 Page 1031  
Nov 01/05

PART NUMBER	AIRLINE PART NO.	FIG.	ITEM	TTL REQ
H10-4BAC		2	242	2
		3	527	1
H10-4BAC		17	239	2
		17	329	2
		17	428	8
		17	516	4
		17	546	2
		18	239	2
		18	329	2
		18	428	8
		18	516	4
		18	546	2
H10-6BAC		17	476	4
		18	476	4
H31-4BAC		2	274U	4
H51650-12BAC		17	55A	2
		18	55A	2
H51650-14BAC		17	67A	2
		17	152A	1
		17	206B	1
		17	365A	1
		18	67A	2
		18	152A	1
		18	206A	1
		18	365A	1
H51650-4BAC		17	239A	2
		17	329A	2
		17	428A	8
		17	516A	4
		17	546A	2
		18	239A	2
		18	329A	2
		18	428A	8
		18	516A	4
		18	546A	2
H51650-6BAC		17	474J	4
		18	474J	4
H52732-06CD		2	580A	5
		2	637A	5
H52732-3CD		2	251A	8
		2	464A	9
		2	524A	2
		2	724A	3
		12	20A	2
		12	65	2

# 32-11-20

 ILLUSTRATED PARTS LIST  
 01.1 Page 1032  
 Nov 01/05

PART NUMBER	AIRLINE PART NO.	FIG.	ITEM	TTL REQ		
H52732-4C		2	274T	4		
		17	544A	1		
		18	544A	1		
H52732-4CD		17	544	1		
		18	544	1		
		17	476B	4		
H52732-6CD		18	476B	4		
		2	673A	1		
H52732-6CM		3	58B	2		
		3	108B	1		
		3	126B	1		
JM44LC13WH25R		3	138B	1		
		3	174D	1		
		3	186D	8		
		3	192D	2		
		3	350D	2		
		3	368D	2		
		3	422B	3		
		3	449C	2		
		3	471	6		
		3	611D	2		
		JM44LC13WS10R		3	174A	1
				3	186A	8
3	192A			2		
3	350A			2		
3	368A			2		
3	422A			3		
3	449A			2		
3	611			2		
JM44LC13WS12R		3	58C	2		
		3	108C	1		
		3	126C	1		
		3	138C	1		
JM44LC13WS20R		3	58A	2		
		3	108A	1		
		3	126A	1		
		3	138A	1		
		3	138A	1		
JM44LC13WS25R		3	58A	2		
		3	108A	1		
		3	126A	1		
		3	138A	1		
		3	138A	1		

**32-11-20**

ILLUSTRATED PARTS LIST  
01.1 Page 1033  
Nov 01/05

PART NUMBER	AIRLINE PART NO.	FIG.	ITEM	TTL REQ
JM44LC13WS7R		3	428	3
		3	452	2
		3	470	4
JM44SC1720CH		3	24B	2
K2000-3		3	45A	2
LER804A060406		7	95	1
LER833-0406		7	145	1
LL106KS		8	100	8
		9	110	8
		17	824	8
		18	824	8
		8	100	8
LL106KSG20		9	110	8
		17	824	8
		18	824	8
		4	180	2
L839-6-5		4	180	2
MBB69260-1170		17	558	1
		18	558	1
		3	479	4
MBC68941-081		3	480A	2
MBC68941-082		17	557	1
		18	557	1
		2	479	1
MBC68941-101		2	480	1
		3	102	1
		2	488	1
		3	153	2
MBC68941-115		3	153	2
MBC68941-116		2	494	1
MBC68941-118		2	494	1
MB67381-080-038		3	461	2
MB67381-130A036		2	545	1
MB68517-080-038		3	461	2
MB68517-130A036		2	545	1

# 32-11-20

 ILLUSTRATED PARTS LIST  
 01.1 Page 1034  
 Nov 01/05

PART NUMBER	AIRLINE PART NO.	FIG.	ITEM	TTL REQ
MF1000-4BAC		17	597	7
		18	597	7
MK1000-3BAC		3	437	1
MK2000-3BAC		3	45	2
MS14145L5		17	477N	4
		18	477N	4
MS14145L6		17	476A	4
		18	476A	4
		2	844	4
MS15001-1		11	30A	1
MS16535-431		2	688	4
MS20615-6M		3	21A	2
		3	30A	4
MS21042L3		3	55A	2
		3	66A	4
		3	99A	1
		3	120A	1
		3	135A	1
		3	144A	4
		3	165A	1
		3	183A	4
		3	347A	2
		3	365A	2
		3	377A	1
		3	389A	1
		3	405A	2
		3	446A	2
		3	458A	4
		3	467A	4
		3	468	10
3	506A	3		
3	608A	1		
3	620A	4		
3	635A	3		
4	475A	2		
4	580A	2		

**32-11-20**

ILLUSTRATED PARTS LIST  
01.1 Page 1035  
Nov 01/05

PART NUMBER	AIRLINE PART NO.	FIG.	ITEM	TTL REQ
MS21042L4		2	242A	2
		2	619A	1
		4	495A	2
MS21042L5		17	925	2
		18	925	2
MS21042L6		4	515A	2
MS21044-616		17	504B	1
		18	504B	1
MS21209F1-10P		8	80B	16
		9	90B	16
		17	815B	16
MS21209F1-15		18	815B	16
		8	80A	16
		8	125	16
		9	90A	16
		9	135	16
		17	815A	16
		17	834	16
MS21209F4-15		18	815A	16
		18	834	16
		8	225	24
		9	235	24
		17	785	24
MS21209F4-15		18	785	24
MS21209F6-10		2	853	1
MS21340-25		4	245	2
		12	35	2
MS21907-10		2	317	1
MS21907-6		2	305	4
		2	553	2
		2	754	1

# 32-11-20

 ILLUSTRATED PARTS LIST  
 01.1 Page 1036  
 Nov 01/05

PART NUMBER	AIRLINE PART NO.	FIG.	ITEM	TTL REQ
MS21908-10		2	512	1
MS21908-6		2	503	3
		7	155	1
MS21912-6		7	110	1
MS21924-6		2	308	1
		2	664	2
		2	751	1
MS24665-155		17	477T	4
		18	477T	4
MS24665-287		17	467	4
		18	467	4
MS24665-359		17	134	1
		17	188	1
		17	350	1
		18	134	1
		18	188	1
		18	350	1
MS24665-360		17	137	1
		17	191	1
		18	137	1
		18	191	1
MS24677-3C		10	55	16
MS25081C6		12	50	2
MS35333-42		17	488	1
		18	488	1
MS51922-17		17	504A	1
		18	504A	1
MT65S428SK1		17	600A	1
		17	639A	4
		18	600A	1
		18	639A	4
M83723-60-114RN		3	750	4
M85052-2-8		2	884	3
		6	25	3
NAF1833-0406		7	145	1
NAF1844-060406		7	95	1
NAS1057T4-097		2	274E	4
NAS1149C0416R		2	274N	4
NAS1149C0432R		17	543A	2
		17	555A	1
		18	543A	2
		18	555A	1

**32-11-20**

ILLUSTRATED PARTS LIST  
01.1 Page 1037  
Nov 01/05



PART NUMBER	AIRLINE PART NO.	FIG.	ITEM	TTL REQ
NAS1149C0463R		2	274J	4
NAS1149C1290R		17	52A	2
		18	52B	2
NAS1149C1490R		17	64A	2
		17	149A	1
		17	203A	1
		18	64A	2
		18	149A	1
		18	203A	1
NAS1149C1690R		17	113B	1
		17	158B	1
		18	113B	1
		18	158B	1
NAS1149D0332J		12	15	2
		12	60	2
NAS1149D0416J		4	58A	8
		4	510C	4
NAS1149D0463J		17	588A	12
		18	588A	12
NAS1149F0463P		17	22A	2
		17	236A	2
		17	326A	2
		17	425A	8
		17	513A	4
		18	22A	2
		18	236A	2
		18	326A	2
		18	425A	8
		18	513A	4
NAS1149F0563P		17	477J	4
		17	920	2
		18	477J	4
		18	920	2
NAS1149F0663P		17	473A	4
		17	501A	1
NAS1149F0663P		18	473A	4
		18	501A	1
NAS1352C08H10		8	145	8
		8	195	8
		9	155	8
		17	385	8
		17	841	8
		18	385	8
		18	841	8

# 32-11-20

 ILLUSTRATED PARTS LIST  
 01.1 Page 1038  
 Nov 01/05

PART NUMBER	AIRLINE PART NO.	FIG.	ITEM	TTL REQ
NAS1352N08H10		9	205A	8
		10	25A	8
NAS1398D4A		4	460A	1
		4	565A	1
NAS1611-211		2	281	4
NAS1801-3-10		3	602	1
		4	315	2
		4	390	2
NAS1801-3-11		4	350	2
		4	425	2
NAS1801-3-12		2	875	1
NAS1801-3-14		2	527	2
		6	5	1
NAS1801-3-16		2	709	2
NAS1801-3-18		2	706	1
NAS1801-3-22		7	65	1
NAS1801-3-24		2	368	1
		2	437	2
NAS1801-3-29		2	347	1
		2	416	4
		7	15	1
NAS1801-3-30		2	245	8
NAS1801-3-34		2	389	1
NAS1801-3-5		10	85	12
NAS1801-3-6		3	52	2
		3	132	1
		3	177	2
		3	420	1
		3	425	4
		3	443	2
NAS1801-3-7		2	703	1
		3	12	4
		3	180	2
		3	189	2
		3	344	2
		3	362	2

**32-11-20**

ILLUSTRATED PARTS LIST  
01.1 Page 1039  
Nov 01/05

PART NUMBER	AIRLINE PART NO.	FIG.	ITEM	TTL REQ
NAS1801-3-7		3	419	1
NAS1801-3-8		2	878	1
		3	27	4
		3	61	2
		3	371	1
		3	413	2
		6	10	1
NAS1801-3-9		4	465	2
		4	570	2
NAS1801-3D10		17	475K	6
		17	930	8
		18	475K	8
		18	930	8
NAS1801-4-17		2	610	1
NAS1802-3D10		17	475J	6
		17	935	8
		18	475J	8
		18	935	8
NAS1922-0200-3		2	914	1
NAS42DD6-16		3	470J	4
NAS42DD6-28		3	117	1
NAS42DD6-36		2	718	3
		3	503	3
		3	632	3
NAS42DD6-92		3	402A	2
NAS42DD8-36		3	524	3
NAS43DD3-105		2	392	2
NAS43DD3-60		7	75	1
NAS43DD3-61		2	371	2
NAS43DD3-64		2	440	3
NAS43DD3-80		7	25	1
NAS43DD3-81		2	350	2
NAS43DD3-82		2	419	6
NAS514P1032-10P		3	614	4

# 32-11-20

 ILLUSTRATED PARTS LIST  
 01.1 Page 1040  
 Nov 01/05

PART NUMBER	AIRLINE PART NO.	FIG.	ITEM	TTL REQ
NAS514P1032-9		4	310A	2
		4	385	2
NAS514P632-11		2	574	5
		2	628	2
NAS514P632-9		2	631	3
NAS623-3-6		4	190	2
NAS6603-10		3	114	1
NAS6603-12		4	250	2
NAS6603-15		3	455	4
NAS6603-20		2	329	1
NAS6603-21		2	335	1
NAS6603-24		2	326	3
NAS6603-3		2	458	9
		3	63	2
		3	96	1
		3	141A	4
		3	162	1
		3	464B	4
		3	465	6
NAS6603-30		2	332	1
NAS6603-35		3	500A	3
		3	629A	3
NAS6603-4		3	466	8
NAS6603-64		3	398	2
NAS6603-7		3	464A	4
NAS6603H2		8	115	16
		8	180	8
		8	245	4
		9	125	16
		9	190	8
		9	255	4
		10	65	4
		17	376	8
		17	410	4
		17	830	16
		18	376	8
		18	410	4
		18	830	16

**32-11-20**

ILLUSTRATED PARTS LIST  
01.1 Page 1040A  
Nov 01/05

PART NUMBER	AIRLINE PART NO.	FIG.	ITEM	TTL REQ
NAS6603H25		8	35	8
		9	45	8
		17	797	8
		18	797	8
NAS6604-10		3	521	3
		17	422	8
		17	540	2
		18	422	8
		18	540	2
NAS6604-12		4	485	2
		17	233	2
		18	233	2
NAS6604-17		17	323	2
		18	323	2
NAS6604-22		17	510	4
		18	510	4
NAS6604-3		3	536	2
		3	670	3
NAS6604-4		17	585	12
		18	585	12
NAS6604-77		3	386	1
NAS6604-9		3	545	4
		3	647	4
NAS6604H4		8	5	24
		9	15	24
		17	777	24
		18	777	24
NAS6605-18		17	915	2
		18	915	2
NAS6606D68		17	470	4
		18	470	4
NAS6606H10		2	826	1
NAS6703-3		3	482	4
NAS6703H42		10	20A	8
NAS6704HU4		17	21	2
		18	21	2
NAS6704P2		4	57B	8

# 32-11-20

 ILLUSTRATED PARTS LIST  
 01.1 Page 1040B  
 Nov 01/05

PART NUMBER	AIRLINE PART NO.	FIG.	ITEM	TTL REQ
NAS6704U17		2	274	4
NAS6705D41		17	477A	4
		18	477A	4
NAS6706D68		17	470A	4
		18	470A	4
NAS6708H4		2	823	1
NAS6712-43		17	46	1
		18	46	1
NAS6712-47		17	49	1
		18	49	1
NAS6714-43		17	58	1
		18	58	1
NAS6714-51		17	61	1
		18	61	1
NAS6714D54		17	146	1
		17	200A	1
		18	146	1
		18	200A	1
NAS77-3-7		3	380	1
NAS77A16-10		3	198	1
NAS77A16-10P		3	198A	1
NE103305-0875		9	175G	4
		10	10B	4
NE103306-0875		9	175L	4
NE103338-082		17	557A	1
		18	557A	1
NE103338-103		2	480A	1
NE103338-116		2	488A	1
NH1005202-10		8	165B	4
		9	175B	4
		10	10A	4
		17	368	4
		18	368	4
NH1005380-10		8	165C	4
		9	175C	4
		17	368A	4
		18	368A	4
NS103197-02		3	437	1
NS103198-02		3	45	2
NS103218-048		17	597	7
		18	597	7
NS103226-02		3	207	2
		17	612	2
		17	651	4
		18	610	2
		18	651	4

**32-11-20**

ILLUSTRATED PARTS LIST  
01.1 Page 1040C  
Nov 01/05

PART NUMBER	AIRLINE PART NO.	FIG.	ITEM	TTL REQ	
NS202101-02		2	251	8	
		2	356	2	
		2	377	2	
		2	398	2	
		2	425	6	
		2	446	3	
		2	533	2	
		2	883	2	
		4	200	2	
		4	265	2	
		4	325	4	
		4	360	2	
		4	400	4	
	NS202101-02		4	435	2
		6	20	2	
		7	30	1	
		7	80	1	
NS202101-048		2	242	2	
		3	527	1	
		17	239	2	
		17	329	2	
		17	428	8	
		17	516	4	
		17	546	2	
		18	239	2	
		18	329	2	
		18	428	8	
		18	516	4	
		18	546	2	
	NS202101SE02		3	485	4
			2	274U	4
NS202101S048 NS202486-048		17	239A	2	
		17	329A	2	
		17	428A	8	
		17	516A	4	
		17	546A	2	
		18	239A	2	
		18	329A	2	
		18	428A	8	
		18	516A	4	
		18	546A	2	
	PKTLL106P1		8	100	8
			9	110	8
			17	824	8
			18	824	8
		2	580A	5	
PLH506CD		2	637A	5	

# 32-11-20

 ILLUSTRATED PARTS LIST  
 01.1 Page 1040D  
 Nov 01/05

PART NUMBER	AIRLINE PART NO.	FIG.	ITEM	TTL REQ	
PLH53CD		2	580A	5	
		2	251A	8	
		2	464A	9	
		2	524A	2	
		2	724A	3	
		12	20A	2	
		12	65	2	
	PLH54C		2	274T	4
			17	544A	1
			18	544A	1
PLH54CD		17	544	1	
PLH54CD		18	544	1	
PLH56CD		17	476B	4	
		18	476B	4	
PLH56CM		2	673A	1	
QC34191-1		9	315	4	
RMA9201M3		3	437	1	
RMA9207-3		3	45	2	
RMF9201M4		17	597	7	
		18	597	7	
RMLH9074-12		17	55	2	
		18	55	2	
RMLH9074-14		17	67	2	
		17	152	1	
		17	206	1	
		17	365	1	
		18	67	2	
		18	152	1	
		18	206	1	
		18	365	1	
	RMLH9075-3W		2	251	8
			2	356	2
		2	377	2	
		2	398	2	
		2	425	6	
		2	446	3	
		2	533	2	
		2	883	2	
		4	200	2	
		4	265	2	
		4	325	4	
		4	360	2	
		4	400	4	
		4	435	2	
		6	20	2	
		7	30	1	
		7	80	1	

**32-11-20**

ILLUSTRATED PARTS LIST  
01.1 Page 1040E  
Nov 01/05



PART NUMBER	AIRLINE PART NO.	FIG.	ITEM	TTL REQ
RMLH9075-4W		2	242	2
		3	527	1
		17	239	2
		17	329	2
		17	428	8
		17	516	4
		17	546	2
		18	239	2
RMLH9075-4W		18	329	2
		18	428	8
		18	516	4
		18	546	2
RMLH9075-6		17	476	4
		18	476	4
RMR12BM211		2	279	8
RMTE9868-16		17	119	1
		17	164	1
		18	119	1
		18	164	1
R29120EE4B0130		2	899	1
		6	45	1
R29120EE4D0130		2	899A	1
		6	45A	1
R291206EN0700B R9106PPA4298		2	41	1
		8	100	8
		9	110	8
		17	824	8
		18	824	8
SK0771-1		8	100A	8
		9	110A	8
		17	824A	8
		18	824A	8
SR23522T SR23523T		9	305Y	4
		8	290L	4
		9	305N	4
		10	145A	4
		17	449M	4
		18	449M	4
STF800-211 S0137		2	279	8
		8	290Q	4
		8	290R	1
		9	305X	4
		17	449Q	4
		18	449Q	4

# 32-11-20

 ILLUSTRATED PARTS LIST  
 01.1 Page 1040F  
 Nov 01/05

PART NUMBER	AIRLINE PART NO.	FIG.	ITEM	TTL REQ
S0138		9	305Y	4
S0145		8	290L	4
		9	305N	4
		10	145A	4
		17	449M	4
		18	449M	4
S160T200-12		17	537A	4
		18	537A	4
S160T200-14		9	290	4
		17	537C	4
		18	537C	4
S160T200-21		9	310A	4
		17	452C	4
		18	452C	4
S160T201-332		8	290Q	4
		8	290R	1
		9	305X	4
		17	449Q	4
		18	449Q	4
S160T201-3321		8	290Q	4
		8	290R	1
		9	305X	4
		17	449Q	4
		18	449Q	4
S160T201-3421		9	305Y	4
S160T201-3621		8	290L	4
		9	305N	4
		10	145A	4
		17	449M	4
		18	449M	4
S160T201-3631		9	305S	4
		9	306	4
S160T300-11		8	310	4
		17	537B	4
		18	537B	4

**32-11-20**

ILLUSTRATED PARTS LIST  
01.1 Page 1040G  
Nov 01/05

PART NUMBER	AIRLINE PART NO.	FIG.	ITEM	TTL REQ
S160T300-12		8	310D	4
		9	290B	4
S160T300-12		17	537G	4
		18	537G	4
S160T300-14		9	290C	4
		10	115A	4
S160T300-15		9	290D	4
		10	115B	4
S160T300-16		9	290E	4
		10	115C	4
S160T300-17		9	290F	4
		10	115D	4
S160T300-18		9	290J	4
		10	115G	4
S160T300-19		9	290G	4
		10	115E	4
S160T300-22		8	295	4
		9	310	4
		10	150A	4
		17	452A	4
		18	452A	4
S160T300-23		8	295B	4
		9	310B	4
		10	150	4
S160T400-210		9	290K	4
		10	115H	4
S160T400-510		9	290M	4
		10	115K	4
S160T400-530		9	310D	4
		10	150B	4
		17	401	4
S161T102-2		8	160	4
		8	205	4
		9	170	4
		9	215	4
		10	35	4
		17	401	4
		17	847	4
		18	401	4
18	847	4		

# 32-11-20

 ILLUSTRATED PARTS LIST  
 01.1 Page 1040H  
 Nov 01/05

PART NUMBER	AIRLINE PART NO.	FIG.	ITEM	TTL REQ
S161T102-5		8	160A	4
		8	205A	4
		9	170A	4
		9	215A	4
		10	35A	4
		17	401A	4
S161T102-5		17	847A	4
		18	401A	4
		18	847A	4
		18	847A	4
S270T230-31		2	35	1
S274T610-1		2	283	4
S274T610-4		2	283A	4
S283T001-10		8	260	4
		9	270	4
		10	80	4
		17	419	4
		18	419	4
		18	419	4
S283T001-15		8	260A	4
		9	270A	4
		10	80A	4
		17	419A	4
		18	419A	4
		18	419A	4
S283T001-7		8	265	4
		9	275	4
		17	420	4
		18	420	4
		4	110	4
		10	105	4
S283U006-2		10	105	4
S283U006-5		10	140	4
S283U006-7		10	110	4
S283U006-9		10	135	4
S30294-211-1		2	279	8

**32-11-20**

ILLUSTRATED PARTS LIST  
01.1 Page 1040I  
Nov 01/05

PART NUMBER	AIRLINE PART NO.	FIG.	ITEM	TTL REQ
S305H25		3	24A	2
S369WHSS25		3	58B	2
		3	108B	1
		3	126B	1
		3	138B	1
S369WH10		3	174D	1
		3	186D	8
		3	192D	2
		3	350D	2
		3	368D	2
		3	422B	3
		3	449C	2
		3	471	6
		3	611D	2
S369WH12		3	174A	1
S369WH12		3	186A	8
		3	192A	2
		3	350A	2
		3	368A	2
		3	422A	3
		3	449A	2
		3	611	2
S369WH20		3	58C	2
		3	108C	1
		3	126C	1
		3	138C	1
S369WH25		3	58A	2
		3	108A	1
		3	126A	1
		3	138A	1
S369WH7		3	428	3
		3	452	2
		3	470	4
S38620CH		3	24B	2
TA0910004DC06		2	733	2
TA0910004DC10		2	449	1
TA12C32WH25		3	58B	2
		3	108B	1
		3	126B	1
		3	138B	1

# 32-11-20

 ILLUSTRATED PARTS LIST  
 01.1 Page 1040J  
 Nov 01/05

PART NUMBER	AIRLINE PART NO.	FIG.	ITEM	TTL REQ		
TA12C32WS10		3	174D	1		
		3	186D	8		
		3	192D	2		
		3	350D	2		
		3	368D	2		
		3	422B	3		
		3	449C	2		
		3	471	6		
		3	611D	2		
		TA12C32WS12		3	174A	1
				3	186A	8
				3	192A	2
				3	350A	2
3	368A			2		
TA12C32WS12		3	422A	3		
		3	449A	2		
		3	611	2		
TA12C32WS20		3	58C	2		
		3	108C	1		
		3	126C	1		
		3	138C	1		
TA12C32WS25		3	58A	2		
		3	108A	1		
		3	126A	1		
		3	138A	1		
TA12C32WS7		3	428	3		
		3	452	2		
		3	470	4		
TA12C3420CH		3	24B	2		
TF450-211A		2	279	8		
T6C1032JM		3	485	4		
T6C428J		2	274U	4		
T6C428JCD		17	239A	2		
		17	329A	2		
		17	428A	8		
		17	516A	4		
		17	546A	2		
		18	239A	2		
		18	329A	2		
		18	428A	8		
		18	516A	4		
		18	546A	2		

**32-11-20**

ILLUSTRATED PARTS LIST  
01.1 Page 1040K  
Nov 01/05

PART NUMBER	AIRLINE PART NO.	FIG.	ITEM	TTL REQ	
T6S1032J		2	251	8	
		2	356	2	
		2	377	2	
		2	398	2	
		2	425	6	
		2	446	3	
		2	533	2	
		2	883	2	
		4	200	2	
		4	265	2	
		4	325	4	
		4	360	2	
		4	400	4	
		4	435	2	
		6	20	2	
		7	30	1	
		7	80	1	
	T6S428J		2	242	2
			3	527	1
		17	239	2	
		17	329	2	
		17	428	8	
		17	516	4	
		17	546	2	
		18	239	2	
		18	329	2	
		18	428	8	
		18	516	4	
T8076S1032 T8077S1032 T8097S1032K		18	546	2	
		3	437	1	
		3	45	2	
		3	207	2	
		17	612	2	
		17	651	4	
		18	610	2	
		18	651	4	

# 32-11-20

 ILLUSTRATED PARTS LIST  
 01.1 Page 1040L  
 Nov 01/05

PART NUMBER	AIRLINE PART NO.	FIG.	ITEM	TTL REQ
T8109S1032		3	45A	2
T8124S4S		17	597	7
		18	597	7
US1924-0406		7	145	1
US1929-060406		7	95	1
VC1296-875		8	165A	4
		9	175A	4
		17	368C	4
		18	368C	4
VC1297		8	165	4
		9	175	4
		10	10D	4
		17	368B	4
		18	368B	4
VC1297-875		10	10	4
VN101A1-02		3	45A	2
VN201A1-02		3	45	2
VN202A1-02		3	437	1
VN252A048		17	597	7
		18	597	7
VN303A02		2	251	8
		2	356	2
		2	377	2
		2	398	2
		2	425	6
		2	446	3
		2	533	2
		2	883	2
		4	200	2
		4	265	2
		4	325	4
		4	360	2
		4	400	4
		4	435	2
		6	20	2
		7	30	1
		7	80	1

**32-11-20**

ILLUSTRATED PARTS LIST  
01.1 Page 1040M  
Nov 01/05



PART NUMBER	AIRLINE PART NO.	FIG.	ITEM	TTL REQ	
VN303A048		2	242	2	
		3	527	1	
		17	239	2	
		17	329	2	
		17	428	8	
		17	516	4	
		17	546	2	
		18	239	2	
		18	329	2	
		18	428	8	
		18	516	4	
		18	546	2	
	VN303B048		2	274U	4
	VN303D02		3	485	4
W30804-060606		7	100	1	
W30804-061010		7	105	1	
020-807-0		9	306	4	
032-863		8	290Q	4	
		8	290R	1	
		9	305X	4	
		17	449Q	4	
		18	449Q	4	
032-863-1		8	290Q	4	
		8	290R	1	
		9	305X	4	
		17	449Q	4	
		18	449Q	4	
039-807		8	290L	4	
		9	305N	4	
		10	145A	4	
		17	449M	4	
		18	449M	4	

# 32-11-20

 ILLUSTRATED PARTS LIST  
 01.1 Page 1040N  
 Nov 01/05

PART NUMBER	AIRLINE PART NO.	FIG.	ITEM	TTL REQ
039-807-0		8	290L	4
		9	305N	4
		10	145A	4
		17	449M	4
		18	449M	4
039-859		9	305Y	4
10-40		9	300B	4
10-44		8	285	4
		9	300	4
		17	446	4
		18	446	4
		80	1	RF
10-4905-24		80	10	1
10-57		8	285A	4
		9	300A	4
		80	1A	RF
10-6015		80	5A	1
101LH9075-4W		2	274U	4
102LH9074-12		17	55A	2
		18	55A	2
		17	67A	2
		17	152A	1
		17	206B	1
		17	365A	1
		18	67A	2
		18	152A	1
		18	206A	1
		18	365A	1
102LH9075-4W		17	239A	2
		17	329A	2
		17	428A	8
		17	516A	4
		17	546A	2
		18	239A	2
		18	329A	2
102LH9075-4W		18	428A	8
		18	516A	4
		18	546A	2
		18	239A	2
		18	329A	2
109LH9075-3W		3	485	4
113T8222-1		17	85	1
		19	20	1
113T8222-2		18	88	1
		19	25	1
113T8222-3		17	96	1

**32-11-20**

ILLUSTRATED PARTS LIST  
01.1 Page 10400  
Nov 01/05

PART NUMBER	AIRLINE PART NO.	FIG.	ITEM	TTL REQ
113T8222-4		18	99	1
140-025-1		8	260	4
		9	270	4
		10	80	4
		17	419	4
		18	419	4
140-025-2		8	260A	4
		9	270A	4
		10	80A	4
		17	419A	4
		18	419A	4
152008-1-08E		2	35	1
161T1000-153		1	1C	RF
		17	1A	RF
161T1000-154		1	10	RF
		18	1A	RF
161T1000-155		1	1D	RF
		17	1B	RF
161T1000-156		1	10A	RF
		18	1B	RF
161T1000-157		1	1E	RF
		17	1C	RF
161T1000-158		1	10B	RF
		18	1C	RF
161T1000-163		1	1G	RF
		17	1D	RF
161T1000-164		1	10C	RF
		18	1D	RF
161T1000-165		1	1H	RF
		17	1E	RF
161T1000-166		1	10D	RF
		18	1E	RF
161T1000-177		1	1J	RF
		17	1F	RF

# 32-11-20

 ILLUSTRATED PARTS LIST  
 01.1 Page 1040P  
 Nov 01/05

PART NUMBER	AIRLINE PART NO.	FIG.	ITEM	TTL REQ
161T1000-178		1	10E	RF
161T1000-178		18	1F	RF
161T1000-185		1	1L	RF
		17	1G	RF
161T1000-186		1	10F	RF
		18	1G	RF
161T1000-189		1	1M	RF
		17	1H	RF
161T1000-190		1	10G	RF
		18	1H	RF
161T1000-207		1	1R	RF
		17	1J	RF
161T1000-208		1	10J	RF
		18	1J	RF
161T1000-209		1	1S	RF
		17	1K	RF
161T1000-210		1	10K	RF
		18	1K	RF
161T1000-211		1	1T	RF
		17	1L	RF
161T1000-212		1	10L	RF
		18	1L	RF
161T1000-213		1	1U	RF
		17	1M	RF
161T1000-214		1	10M	RF
		18	1M	RF
161T1000-215		1	1V	RF
		17	1N	RF
161T1000-216		1	10N	RF
		18	1N	RF
161T1000-217		1	1W	RF
		17	1P	RF
161T1000-218		1	10P	RF
		18	1P	RF
161T1000-219		1	1X	RF
		17	1Q	RF

**32-11-20**

ILLUSTRATED PARTS LIST  
01.1 Page 1040Q  
Nov 01/05

PART NUMBER	AIRLINE PART NO.	FIG.	ITEM	TTL REQ
161T1000-220		1	10Q	RF
		18	1Q	RF
161T1000-237		1	1Y	RF
		17	1R	RF
161T1000-247		1	2	RF
		17	1S	RF
161T1000-249		1	2A	RF
		17	1T	RF
161T1000-250		1	10R	RF
		18	1R	RF
161T1000-253		1	2C	RF
		17	1U	RF
161T1000-254		1	10S	RF
		18	1S	RF
161T1000-255		1	2D	RF
		17	1V	RF
161T1000-256		1	10T	RF
		18	1T	RF
161T1000-291		1	2Q	RF
		17	1W	RF
161T1000-292		1	10U	RF
		18	1U	RF
161T1000-293		1	2R	RF
		17	1X	RF
161T1000-294		1	10V	RF
		18	1V	RF
161T1000-303		1	2T	RF
		17	1Y	RF
161T1000-304		1	10W	RF
		18	1W	RF
161T1000-327		1	3B	RF
		17	1Z	RF
161T1000-328		1	10X	RF
		18	1X	RF
161T1000-333		1	3C	RF
		17	2	RF

# 32-11-20

 ILLUSTRATED PARTS LIST  
 01.1 Page 1040R  
 Nov 01/05

PART NUMBER	AIRLINE PART NO.	FIG.	ITEM	TTL REQ
161T1000-334		1	10Y	RF
		18	1Y	RF
161T1000-335		1	3D	RF
		17	2A	RF
161T1000-336		1	10Z	RF
		18	1Z	RF
161T1000-337		1	3E	RF
		17	2B	RF
161T1000-338		1	11A	RF
		18	2	RF
161T1000-341		1	3G	RF
		17	2C	RF
161T1000-342		1	11B	RF
		18	2A	RF
161T1000-347		1	3H	RF
		17	2D	RF
161T1000-348		1	11C	RF
		18	2B	RF
161T1000-381		1	3K	RF
161T1000-381		17	2E	RF
161T1000-382		1	11E	RF
		18	2C	RF
161T1000-385		1	3L	RF
		17	2F	RF
161T1000-386		1	11F	RF
		18	2D	RF
161T1000-391		1	3M	RF
		17	2G	RF
161T1000-392		1	11G	RF
		18	2E	RF
161T1000-397		1	3N	RF
		17	2H	RF
161T1000-398		1	11H	RF
		18	2F	RF
161T1000-399		1	3P	RF
		17	2J	RF
161T1000-400		1	11J	RF
		18	2G	RF
161T1000-5001		17	850	1
		18	850	1
161T1000-5002		8	1	RF
		17	850A	1
		18	850A	1

**32-11-20**

ILLUSTRATED PARTS LIST  
01.1 Page 1040S  
Nov 01/05

PART NUMBER	AIRLINE PART NO.	FIG.	ITEM	TTL REQ
161T1000-5005		17	850B	1
		18	850B	1
161T1000-5006		8	1A	RF
		17	850C	1
		18	850C	1
161T1000-5007		17	850D	1
		18	850D	1
161T1000-5008		8	1B	RF
		17	850E	1
		18	850E	1
161T1000-5009		18	860	1
161T1000-5010		8	1C	RF
		18	860A	1
161T1000-5017		17	855	1
161T1000-5018		8	1D	RF
		17	855A	1
161T1000-5019		11	3D	1
		17	870D	1
161T1000-5020		11	1H	1
		18	875C	1
161T1000-5021		11	3	1
161T1000-5021		17	870	1
161T1000-5022		11	1A	RF
		18	875	1
161T1000-5024		11	1B	RF
161T1000-5025		11	3A	1
		17	870A	1
161T1000-5026		11	1C	RF
		18	875A	1
161T1000-5029		11	3Q	1
		17	870C	1
161T1000-5034		11	1E	RF
		18	875B	1
161T1000-5062		11	2J	1
161T1000-5065		11	3R	1
161T1000-5069		11	3S	1
161T1000-5070		11	1U	1
161T1000-5071		11	3T	1
161T1000-5072		11	1V	1
161T1000-5073		11	4E	1
161T1000-5074		11	2K	1
161T1000-5075		11	4F	1
161T1000-5076		11	2L	1

# 32-11-20

 ILLUSTRATED PARTS LIST  
 01.1 Page 1040T  
 Nov 01/05

PART NUMBER	AIRLINE PART NO.	FIG.	ITEM	TTL REQ
161T1000-5077		11	4	1
161T1000-5078		11	2D	1
161T1000-5079		11	4A	1
161T1000-5080		11	2E	1
161T1000-5085		11	4D	1
161T1000-5086		11	2H	1
161T1000-5087		11	3E	1
161T1000-5088		11	1J	1
161T1000-5089		11	4K	1
161T1000-5090		11	2Q	1
161T1000-5091		11	3G	1
161T1000-5092		11	1L	1
161T1000-5093		11	4J	1
161T1000-5094		11	2N	1
161T1000-5095		11	3L	1
161T1000-5096		11	1Q	1
161T1000-5097		11	4L	1
161T1000-5098		11	2R	1
161T1000-5099		11	3H	1
161T1000-5100		11	1M	1
161T1000-5103		11	3J	1
161T1000-5104		11	1N	1
161T1000-5105		11	1W	1
161T1000-5106		11	1X	1
161T1000-5107		11	4H	1
161T1000-5108		11	3K	1
161T1000-5109		11	2P	1
161T1000-5110		11	1P	1
161T1000-5111		11	3F	1
161T1000-5112		11	1K	1
161T1000-5113		11	3U	1
161T1000-5114		11	1Y	1
161T1000-5115		11	4M	1
161T1000-5116		11	2S	1
161T1000-5117		11	3V	1

**32-11-20**

ILLUSTRATED PARTS LIST  
01.1 Page 1040U  
Nov 01/05



PART NUMBER	AIRLINE PART NO.	FIG.	ITEM	TTL REQ
161T1000-5118		11	1Z	1
161T1000-5119		11	4G	1
161T1000-5120		11	2M	1
161T1000-5121		11	3N	1
161T1000-5122		11	1R	1
161T1000-5123		11	3M	1
161T1000-5124		11	1S	1
161T1000-5125		11	4B	1
161T1000-5126		11	2F	1
161T1000-5127		11	3W	1
161T1000-5128		11	2	1
161T1000-5133		11	3X	1
161T1000-5134		11	2A	1
161T1000-5135		11	3Y	1
161T1000-5136		11	2B	1
161T1000-55		17	437E	4
		18	437E	4
161T1000-601		1	3Q	RF
		17	2K	RF
161T1000-602		1	11K	RF
		18	2H	RF
161T1000-605		1	3R	RF
		17	2L	RF
161T1000-606		1	11L	RF
		18	2J	RF
161T1000-613		1	3S	RF
		17	2M	RF
161T1000-614		1	11M	RF
		18	2K	RF
161T1000-621		1	3U	RF
		17	2N	RF
161T1000-622		1	11N	RF
		18	2L	RF

# 32-11-20

 ILLUSTRATED PARTS LIST  
 01.1 Page 1040V  
 Nov 01/05

PART NUMBER	AIRLINE PART NO.	FIG.	ITEM	TTL REQ
161T1000-623		1	3V	RF
		17	2P	RF
161T1000-624		1	11P	RF
		18	2M	RF
161T1000-625		1	3W	RF
		17	2Q	RF
161T1000-626		1	11Q	RF
		18	2N	RF
161T1000-629		1	3Y	RF
		17	2R	RF
161T1000-630		1	11R	RF
		18	2P	RF
161T1000-631		1	3Z	RF
		17	2S	RF
161T1000-632		1	11S	RF
		18	2Q	RF
161T1000-633		1	4A	RF
		17	2T	RF
161T1000-634		1	11T	RF
		18	2R	RF
161T1000-643		1	4C	RF
		17	2U	RF
161T1000-644		1	11V	RF
		18	2S	RF
161T1000-653		1	4D	RF
		17	2V	RF
161T1000-654		1	11W	RF
		18	2T	RF
161T1000-655		1	4E	RF
		17	2W	RF
161T1000-656		1	11X	RF
		18	2U	RF
161T1000-659		1	4G	RF
		17	2X	RF
161T1000-660		1	11Z	RF
		18	2V	RF

**32-11-20**

ILLUSTRATED PARTS LIST  
01.1 Page 1040W  
Nov 01/05

PART NUMBER	AIRLINE PART NO.	FIG.	ITEM	TTL REQ
161T1000-661		1	4H	RF
		17	2Y	RF
161T1000-662		1	12	RF
		18	2W	RF
161T1000-663		1	4J	RF
		17	2Z	RF
161T1000-664		1	12A	RF
161T1000-664		18	2X	RF
161T1000-665		1	4L	RF
		17	3	RF
161T1000-666		1	12C	RF
		18	2Y	RF
161T1000-671		1	4N	RF
		17	3A	RF
161T1000-672		1	12E	RF
		18	2Z	RF
161T1000-683		1	4R	RF
		17	3B	RF
161T1000-684		1	12G	RF
		18	3	RF
161T1000-685		1	4S	RF
		17	3C	RF
161T1000-686		1	12J	RF
		18	3A	RF
161T1000-687		1	4T	RF
		17	3D	RF
161T1000-688		1	12K	RF
		18	3B	RF
161T1000-689		1	4U	RF
		17	3E	RF
161T1000-690		1	12L	RF
		18	3C	RF
161T1000-691		1	4V	RF
		17	3F	RF
161T1000-692		1	12M	RF
		18	3D	RF
161T1000-693		1	4W	RF
		17	3G	RF
161T1000-694		1	12N	RF
		18	3E	RF
161T1000-695		1	4X	RF
		17	3H	RF

# 32-11-20

 ILLUSTRATED PARTS LIST  
 01.1 Page 1040X  
 Nov 01/05

PART NUMBER	AIRLINE PART NO.	FIG.	ITEM	TTL REQ
161T1000-696		1	12P	RF
		18	3F	RF
161T1000-697		1	4Y	RF
		17	3J	RF
161T1000-698		1	12Q	RF
		18	3G	RF
161T1000-699		1	4Z	RF
		17	3K	RF
161T1000-700		1	12R	RF
		18	3H	RF
161T1000-701		1	8R	RF
		17	3L	RF
161T1000-702		1	12S	RF
		18	3J	RF
161T1000-703		1	8S	RF
		17	3M	RF
161T1000-704		1	12T	RF
		18	3K	RF
161T1000-705		1	8T	RF
		17	3N	RF
161T1000-706		1	12U	RF
		18	3L	RF
161T1000-707		1	8U	RF
		17	3P	RF
161T1000-708		1	12V	RF
		18	3M	RF
161T1000-709		1	8V	RF
		17	3Q	RF
161T1000-710		1	12W	RF
		18	3N	RF
161T1000-711		1	8W	RF
		17	3R	RF
161T1000-712		1	12X	RF
		18	3P	RF
161T1000-715		1	8Y	RF
		17	3T	RF

**32-11-20**

ILLUSTRATED PARTS LIST  
01.1 Page 1040Y  
Nov 01/05

PART NUMBER	AIRLINE PART NO.	FIG.	ITEM	TTL REQ
161T1000-716		1	12Z	RF
		18	3R	RF
161T1000-719		1	9	RF
		17	3V	RF
161T1000-720		1	13A	RF
		18	3T	RF
161T1000-721		1	9A	RF
		17	3W	RF
161T1000-722		1	13B	RF
		18	3U	RF
161T1000-723		1	9B	RF
		17	3X	RF
161T1000-724		1	13C	RF
		18	3V	RF
161T1000-727		1	15A	RF
		17	5N	RF
161T1000-728		1	18A	RF
		18	5L	RF
161T1000-729		1	15B	RF
161T1000-729		17	5P	RF
161T1000-73		17	437D	4
		18	437D	4
161T1000-730		1	18B	RF
		18	5M	RF
161T1000-731		1	15C	RF
		17	5Q	RF
161T1000-732		1	18C	RF
		18	5N	RF
161T1000-733		1	15D	RF
		17	5R	RF
161T1000-734		1	18D	RF
		18	5P	RF
161T1000-735		1	15E	RF
		17	5S	RF
161T1000-736		1	18E	RF
		18	5Q	RF

# 32-11-20

 ILLUSTRATED PARTS LIST  
 01.1 Page 1040Z  
 Nov 01/05

PART NUMBER	AIRLINE PART NO.	FIG.	ITEM	TTL REQ
161T1000-737		1	15F	RF
		17	5T	RF
161T1000-738		1	18F	RF
		18	5R	RF
161T1000-739		1	15G	RF
		17	5U	RF
161T1000-74		8	280A	4
		9	295G	4
161T1000-740		1	18G	RF
		18	5S	RF
161T1000-741		1	15H	RF
		17	5V	RF
161T1000-742		1	18H	RF
		18	5T	RF
161T1000-743		1	15J	RF
		17	5W	RF
161T1000-744		1	18J	RF
		18	5U	RF
161T1000-745		1	15K	RF
		17	5X	RF
161T1000-746		1	18K	RF
		18	5V	RF
161T1000-747		1	15L	RF
		17	5Y	RF
161T1000-748		1	18L	RF
		18	5W	RF
161T1000-75		8	280B	4
		9	295H	4
161T1000-75		17	437G	4
		18	437G	4
161T1000-757		1	9D	RF
		17	3Z	RF
161T1000-758		1	13E	RF
		18	3X	RF
161T1000-76		9	295J	4
		17	437H	4
		18	437H	4

**32-11-20**

PART NUMBER	AIRLINE PART NO.	FIG.	ITEM	TTL REQ
161T1000-761		1	9N	RF
		17	4H	RF
161T1000-762		1	13P	RF
		18	4F	RF
161T1000-765		1	9P	RF
		17	4J	RF
161T1000-766		1	13Q	RF
		18	4G	RF
161T1000-767		1	9Q	RF
		17	4K	RF
161T1000-768		1	13R	RF
		18	4H	RF
161T1000-77		9	295K	4
161T1000-781		1	9E	RF
		17	4	RF
161T1000-782		1	13F	RF
		18	3Y	RF
161T1000-783		1	14A	RF
		17	4N	RF
161T1000-784		1	17H	RF
		18	4L	RF
161T1000-785		1	14B	RF
		17	4P	RF
161T1000-786		1	17J	RF
		18	4M	RF
161T1000-789		1	9F	RF
		17	4A	RF
161T1000-790		1	13G	RF
		18	3Z	RF
161T1000-791		17	4M	RF
161T1000-792		18	4K	RF
161T1000-793		17	4L	RF
161T1000-794		18	4J	RF
161T1000-80		8	280C	4
		9	295M	4
		17	437K	4
161T1000-803		1	9K	RF
		17	4E	RF
161T1000-804		1	13L	RF
		18	4C	RF
161T1000-82		8	240	4
		9	250A	4
		17	408	4
		18	408	4

# 32-11-20

 ILLUSTRATED PARTS LIST  
 01.1 Page 1042  
 Nov 01/05

PART NUMBER	AIRLINE PART NO.	FIG.	ITEM	TTL REQ
161T1000-825		1	14G	RF
		17	5J	RF
161T1000-826		1	17E	RF
		18	4S	RF
161T1000-827		1	14H	RF
		17	4U	RF
161T1000-828		1	17F	RF
		18	4T	RF
161T1000-83		8	235	4
		9	245A	4
		10	60A	4
		17	407	4
		18	407	4
161T1000-831		1	14F	RF
		17	4T	RF
161T1000-832		1	17D	RF
		18	4R	RF
161T1000-837		1	14L	RF
		17	4X	RF
161T1000-838		1	17L	RF
		18	4W	RF
161T1000-84		8	170	4
		9	180A	4
		17	371	4
		18	371	4
161T1000-841		1	14N	RF
		17	4Z	RF
161T1000-842		1	17N	RF
		18	4Y	RF
161T1000-843		1	14P	RF
		17	5	RF
161T1000-844		1	17P	RF
		18	4Z	RF
161T1000-849		1	14S	RF
		17	5C	RF
161T1000-85		8	280D	4
		9	295N	4
161T1000-850		1	17S	RF
		18	5B	RF
161T1000-851		1	14T	RF
		17	5D	RF
161T1000-852		1	17T	RF
		18	5C	RF

32-11-20

ILLUSTRATED PARTS LIST  
01.1 Page 1042A  
Nov 01/05



PART NUMBER	AIRLINE PART NO.	FIG.	ITEM	TTL REQ
161T1000-857		1	14W	RF
		17	5G	RF
161T1000-858		1	17W	RF
		18	5F	RF
161T1000-859		1	14X	RF
		17	5H	RF
161T1000-860		1	17X	RF
		18	5G	RF
161T1000-861		1	14Y	RF
		17	5K	RF
161T1000-862		1	17Y	RF
		18	5H	RF
161T1000-863		1	14Z	RF
		17	5L	RF
161T1000-864		1	17Z	RF
		18	5J	RF
161T1000-865		1	15	RF
		1	18	RF
		17	5M	RF
161T1000-866		18	5K	RF
161T1019-1		17	465	4
		18	465	4
161T1019-2		17	465A	4
		18	465A	4
161T1020-1		17	475	4
		18	475	4
161T1021-1		17	474	4
		18	474	4
161T1024-1		17	478J	4
161T1024-1		18	478J	4
161T1024-3		17	478K	4
		18	478K	4
161T1025-1		17	478	4
		18	478	4

# 32-11-20

 ILLUSTRATED PARTS LIST  
 01.1 Page 1042B  
 Nov 01/05

PART NUMBER	AIRLINE PART NO.	FIG.	ITEM	TTL REQ
161T1100-101		17	564M	1
161T1100-106		18	566C	1
161T1100-109		17	564P	1
161T1100-110		18	566D	1
161T1100-111		17	566E	1
161T1100-121		17	566G	1
161T1100-122		18	567M	1
161T1100-123		17	566H	1
161T1100-124		18	566J	1
161T1100-125		17	566K	1
161T1100-126		18	566L	1
161T1100-139		17	565D	1
161T1100-140		18	567G	1
161T1100-141		17	565E	1
161T1100-142		18	567H	1
161T1100-147		17	565F	1
161T1100-148		18	567J	1
161T1100-159		17	564V	1
161T1100-160		18	566W	1
161T1100-163		17	564W	1
161T1100-164		18	566X	1
161T1100-177		17	564X	1
161T1100-178		18	566Y	1
161T1100-179		17	564Y	1
161T1100-180		18	566Z	1
161T1100-183		17	565	1
161T1100-184		18	567B	1
161T1100-188		18	567C	1
161T1100-205		17	565G	1
161T1100-207		17	565H	1
161T1100-208		18	567L	1
161T1100-223		17	565J	1
161T1100-224		18	567N	1
161T1100-227		17	565K	1
161T1100-228		18	567P	1

**32-11-20**

ILLUSTRATED PARTS LIST  
01.1 Page 1042C  
Nov 01/05

PART NUMBER	AIRLINE PART NO.	FIG.	ITEM	TTL REQ
161T1100-229		11	10D	1
		17	565M	1
161T1100-230		11	5	1
		18	567Q	1
161T1100-233		17	565Q	1
161T1100-234		18	567U	1
161T1100-235		17	565R	1
161T1100-236		18	567V	1
161T1100-237		17	565N	1
161T1100-238		18	567S	1
161T1100-243		17	565S	1
161T1100-244		18	567W	1
161T1100-251		17	565T	1
161T1100-252		18	567X	1
161T1100-265		11	10	1
		17	565U	1
161T1100-266		11	5D	1
161T1100-267		11	10B	1
		17	565V	1
161T1100-268		11	5H	1
161T1100-271		17	565W	1
161T1100-273		17	565X	1
161T1100-283		11	10W	1
		17	565Y	1
161T1100-284		11	5Z	1
		18	567Y	1
161T1100-285		11	10C	1
161T1100-286		11	6A	1
161T1100-287		11	11A	1
161T1100-288		11	6F	1
161T1100-289		11	11	1
161T1100-290		11	6D	1
161T1100-293		11	10T	1
161T1100-294		11	5X	1
161T1100-295		11	11B	1
161T1100-296		11	6G	1

# 32-11-20

 ILLUSTRATED PARTS LIST  
 01.1 Page 1042D  
 Nov 01/05

PART NUMBER	AIRLINE PART NO.	FIG.	ITEM	TTL REQ
161T1100-301		11	10V	1
161T1100-302		11	5Y	1
161T1100-303		11	10X	1
161T1100-304		11	6B	1
161T1100-305		11	10Z	1
161T1100-306		11	6E	1
161T1100-317		11	10N	1
161T1100-318		11	5R	1
161T1100-331		11	10R	1
161T1100-332		11	5U	1
161T1100-341		11	11C	1
161T1100-342		11	6H	1
161T1100-347		11	10Y	1
161T1100-348		11	6C	1
161T1100-349		11	10U	1
161T1100-350		11	6	1
161T1100-351		11	10G	1
		17	568J	1
161T1100-352		11	5L	1
		18	569R	1
161T1100-353		11	10L	1
		17	568G	1
161T1100-354		11	5Q	1
		18	569N	1
161T1100-355		11	10E	1
		17	568K	1
161T1100-356		11	5J	1
		18	569S	1
161T1100-359		11	10F	1
		17	568E	1
161T1100-360		11	5K	1
		18	569L	1
161T1100-363		11	10H	1
		17	568B	1
161T1100-364		11	5M	1
		18	569H	1
161T1100-365		11	10M	1
		17	568H	1
161T1100-366		11	5S	1
		18	569Q	1
161T1100-367		11	10J	1
		17	568C	1
161T1100-368		11	5N	1
		18	569J	1

**32-11-20**

ILLUSTRATED PARTS LIST  
01.1 Page 1042E  
Nov 01/05

PART NUMBER	AIRLINE PART NO.	FIG.	ITEM	TTL REQ
161T1100-369		11	10S	1
		17	566L	1
		17	568D	1
161T1100-370		11	5W	1
		18	568D	1
		18	569K	1
161T1100-371		11	10K	1
		17	568F	1
161T1100-372		11	5P	1
		18	569M	1
		11	10Q	1
161T1100-381		11	10Q	1
161T1100-382		11	5V	1
161T1100-387		17	566N	1
161T1100-388		18	568	1
161T1100-391		17	566Q	1
161T1100-392		18	568B	1
161T1100-393		17	566R	1
161T1100-394		18	568C	1
161T1100-409		17	566S	1
161T1100-410		18	568E	1
161T1100-414		18	568M	1
161T1100-415		17	567G	1
161T1100-416		18	568N	1
161T1100-435		17	567L	1
161T1100-436		18	568R	1
161T1100-437		17	567H	1
161T1100-438		18	568P	1
161T1100-441		17	566T	1
161T1100-442		18	568F	1
161T1100-443		17	567K	1
161T1100-444		18	568Q	1

# 32-11-20

 ILLUSTRATED PARTS LIST  
 01.1 Page 1042F  
 Nov 01/05

PART NUMBER	AIRLINE PART NO.	FIG.	ITEM	TTL REQ
161T1100-457		17	567D	1
161T1100-458		18	568K	1
161T1100-475		17	567Q	1
161T1100-476		18	568W	1
161T1100-477		17	567R	1
161T1100-478		18	568X	1
161T1100-485		17	567T	1
161T1100-486		18	568Z	1
161T1100-489		17	567V	1
161T1100-490		18	569A	1
161T1100-491		17	567W	1
161T1100-492		18	569B	1
161T1100-495		17	567X	1
161T1100-496		18	569C	1
161T1100-497		17	567Y	1
161T1100-498		18	569D	1
161T1100-501		17	567Z	1
161T1100-502		18	569E	1
161T1100-503		17	568	1
161T1100-504		18	569F	1
161T1100-505		17	568A	1
161T1100-506		18	569G	1
161T1100-61		17	564	1
161T1100-62		18	564B	1
161T1100-69		17	564D	1
161T1100-70		15	543B	1
		18	564E	1
161T1100-85		17	564A	1
161T1100-86		18	564C	1
161T1100-91		17	564F	1
161T1100-92		18	564G	1
161T1100-93		17	564H	1
161T1100-94		18	564J	1
161T1100-97		17	564K	1
161T1100-98		18	566	1

**32-11-20**

ILLUSTRATED PARTS LIST  
01.1 Page 1042G  
Nov 01/05

PART NUMBER	AIRLINE PART NO.	FIG.	ITEM	TTL REQ
161T1101-401		19	30	1
161T1101-402		19	35	1
161T1172-1		17	140	1
161T1172-2		18	143	1
161T1172-3		17	182A	1
161T1172-4		18	185	1
161T1172-5		17	140A	1
		19	40	1
161T1172-6		18	143B	1
		19	45	1
161T1172-7		17	182B	1
161T1172-8		18	185B	1
161T1173-1		17	194	1
161T1173-2		18	197	1
161T1173-3		17	224	1
161T1173-4		18	227	1
161T1173-5		17	194A	1
		19	50	1
161T1173-6		18	197B	1
		19	55	1
161T1173-7		17	224A	1
161T1173-8		18	227B	1
161T1174-1		17	40	1
		18	40	1
		19	60	1
161T1174-2		17	43	1
		18	43	1
		19	65	1
161T1174-3		17	79	1
		18	79	1
161T1174-4		17	82	1
		18	82	1
161T1183-1		17	353	1
		18	353	1
		19	70	1
161T1183-2		17	359	1
		18	359	1
161T1200-1		17	900	1
		19	1	RF
161T1200-2		18	900	1
		19	5	RF

# 32-11-20

 ILLUSTRATED PARTS LIST  
 01.1 Page 1042H  
 Nov 01/05

PART NUMBER	AIRLINE PART NO.	FIG.	ITEM	TTL REQ
161T1200-3		19	10	1
161T1200-4		19	15	1
161T1200-5		19	600	1
161T1200-6		19	605	1
161T1200-7		19	700	1
161T1200-8		19	705	1
161T1201-1		17	464	4
		18	464	4
161T1201-2		17	482	4
		18	482	4
161T1201-3		17	464A	4
		18	464A	4
161T1201-4		17	464B	4
		18	464B	4
161T1202-1		17	461	4
		18	461	4
		19	75	4
161T1202-2		17	461A	4
		18	461A	4
		19	75A	4
161T1203-2		17	436	4
161T1203-2		17	443	4
		18	436	4
		18	443	4
		19	85	4
161T1204-1		17	435	4
		17	440	4
		18	435	4
		18	440	4
		19	90	4
161T1206-7		8	270A	4
		9	280A	4
		17	431A	4
		18	431A	4
161T1206-9		8	270	4
		9	280	4
		17	431	4
		18	431	4
161T1207-1		8	185	4
		8	220	4
		9	195	4
		9	230	4
		17	379	4
		17	783	4
		18	379	4
		18	783	4

**32-11-20**

ILLUSTRATED PARTS LIST  
01.1 Page 1042I  
Nov 01/05



PART NUMBER	AIRLINE PART NO.	FIG.	ITEM	TTL REQ
161T1209-1		8	275	4
		9	285	4
		10	95	4
		17	434	4
		18	434	4
161T1210-18		17	173	2
		17	215	2
		18	173	2
		18	215	2
		18	215	2
161T1210-23		17	73	4
		18	73	4
161T1210-24		17	76	4
		18	76	4
161T1210-29		17	176	1
		18	176	1
161T1210-30		17	179	1
		18	179	1
161T1210-44		17	218	1
		18	218	1
161T1210-45		17	221	1
		18	221	1
161T1210-5		17	170	2
		17	212	2
		18	170	2
		18	212	2
		18	212	2
161T1211-10		8	175	4
		9	185	4
		17	373	4
		18	373	4
161T1211-11		8	190A	4
		9	200A	4
		17	382A	4
		18	382A	4

# 32-11-20

 ILLUSTRATED PARTS LIST  
 01.1 Page 1042J  
 Nov 01/05

PART NUMBER	AIRLINE PART NO.	FIG.	ITEM	TTL REQ
161T1211-12		8	190	4
		9	200	4
		17	382	4
		18	382	4
161T1211-13		8	175A	4
		9	185A	4
		17	373A	4
		18	373A	4
161T1211-14		8	190B	4
		9	200B	4
		17	382B	4
		18	382B	4
161T1211-15		8	190C	4
		9	200C	4
		17	382C	4
		18	382C	4
161T1212-1		17	479	4
		18	479	4
161T1219-1		17	478E	4
		18	478E	4
161T1219-2		11	50	4
		17	478F	4
		18	478F	4
161T1220-1		8	155	4
		8	210	4
		9	165	4
		9	220	4
		17	404	4
		17	845	4
		18	404	4
161T1220-1		18	845	4
161T1220-2		8	210A	4
		9	220A	4
		17	404A	4
		18	404A	4

**32-11-20**

ILLUSTRATED PARTS LIST  
01.1 Page 1042K  
Nov 01/05

PART NUMBER	AIRLINE PART NO.	FIG.	ITEM	TTL REQ
161T1221-1		8	255	4
		9	265	4
		10	75	4
		17	416	4
		18	416	4
161T1221-3		8	255A	4
		9	265A	4
		10	75A	4
		17	416A	4
		18	416A	4
161T1222-1		8	250	4
		9	260	4
		10	70	4
		17	413	4
		18	413	4
161T1223-1		8	150	4
		8	200	4
		9	160	4
		9	210	4
		10	30	4
		17	388	4
		17	843	4
		18	388	4
		18	843	4
161T1230-5		17	552	1
		18	552	1
		19	95	1
161T1230-7		17	552A	1
		18	552A	1
161T1240-5		8	15	4
		9	25	4
		17	789	4
161T1240-5		18	789	4
161T1240-6		8	45	4
		9	55	4
		17	801	4
		18	801	4

# 32-11-20

 ILLUSTRATED PARTS LIST  
 01.1 Page 1042L  
 Nov 01/05

PART NUMBER	AIRLINE PART NO.	FIG.	ITEM	TTL REQ
161T1240-8		9	25A	4
161T1241-1		8	75	4
		9	85	4
		17	813	4
		18	813	4
161T1241-2		8	85	4
		9	95	4
		17	817	4
		18	817	4
161T1241-3		8	75A	4
		9	85A	4
		17	813A	4
		18	813A	4
161T1241-4		8	85A	4
		9	95A	4
		17	817A	4
		18	817A	4
161T1243-2		8	70A	4
		9	80A	4
		17	811A	4
		18	811A	4
161T1244-2		8	60	4
		9	70	4
		17	807	4
		18	807	4
161T1245-1		8	135	4
		9	145	4
		17	837	4
		18	837	4
161T1246-1		8	215	4
		9	225	4
		17	781	4
		18	781	4
161T1246-2		8	230	4
		9	240	4
		17	787	4
		18	787	4
161T1246-3		8	215A	4
		9	225A	4
161T1246-3		17	781A	4
		18	781A	4
161T1246-4		8	230A	4
		9	240A	4
		17	787A	4
		18	787A	4

**32-11-20**

ILLUSTRATED PARTS LIST  
01.1 Page 1042M  
Nov 01/05

PART NUMBER	AIRLINE PART NO.	FIG.	ITEM	TTL REQ
161T1248-1		8	90	4
		9	100	4
		17	820	4
		18	820	4
161T1248-2		8	95	4
		9	105	4
		17	822	4
		18	822	4
161T1301-1		17	25A	1
		18	25A	1
		19	100	1
161T1301-2		17	27A	1
		18	27A	1
161T1302-1		17	26A	2
		18	26A	2
161T1303-11		11	15B	1
		11	20B	1
		17	28B	1
		18	28B	1
161T1303-12		11	40A	1
		17	37B	1
		18	37B	1
		17	28	1
161T1303-5		18	28	1
		17	37	1
161T1303-6		18	37	1
		11	15	1
161T1303-7		11	20	1
		17	28A	1
		18	28A	1
		11	40	1
161T1303-8		17	37A	1
		18	37A	1
		11	15A	1
161T1303-9		11	20A	1
		19	105	1
161T1304-3		11	35	1
		17	34	1
161T1304-3		18	34	1
161T1304-4		11	35B	1
		17	34A	1
		18	34A	1

# 32-11-20

 ILLUSTRATED PARTS LIST  
 01.1 Page 1042N  
 Nov 01/05

PART NUMBER	AIRLINE PART NO.	FIG.	ITEM	TTL REQ
161T1305-2		17	24	1
		18	24	1
		19	110	1
161T1306-2		11	45	1
		17	23A	1
		18	23A	1
161T1306-4		11	45A	1
		17	23B	1
		18	23B	1
161T1306-5		19	115	1
		11	45B	1
		17	23C	1
161T1307-4		18	23C	1
		17	155	1
		18	155	1
161T1307-5		19	120	1
		17	102	1
		18	102	1
161T1307-6		19	125	1
		17	111	1
		18	111	1
161T1310-1		17	507	1
		18	507	1
		19	130	1
161T1310-2		17	591	1
		18	591	1
		19	135	1
161T1310-3		17	630	1
161T1310-4		18	633	1
161T1310-5		17	618	1
		17	657	1
		18	618	1
161T1311-1		18	657	1
		17	534	1
		18	534	1

**32-11-20**

ILLUSTRATED PARTS LIST  
01.1 Page 10420  
Nov 01/05

PART NUMBER	AIRLINE PART NO.	FIG.	ITEM	TTL REQ
161T1311-10		17	627	2
		17	669	1
		18	627	2
161T1311-10		18	669	1
		17	663	2
161T1311-11		18	663	2
161T1311-12		17	624	1
		17	666	1
		18	624	1
		18	666	1
161T1311-13		17	549	1
		18	549	1
161T1311-2		17	522	2
		18	522	2
161T1311-7		17	528	2
		18	528	2
161T1311-8		17	531	2
		18	531	2
161T1323-1		17	28C	1
		18	28C	1
161T1323-2		17	37C	1
		18	37C	1
161T1323-3		17	28D	1
		18	28D	1
161T1323-4		17	37D	1
		18	37D	1
161T1324-1		17	34B	1
		18	34B	1
161T1324-2		17	34C	1
		18	34C	1
161T1325-1		17	16	1
		18	16	1
161T1326-1		17	18	1
		18	18	1
161T1326-2		17	20	1
		18	20	1

# 32-11-20

 ILLUSTRATED PARTS LIST  
 01.1 Page 1042P  
 Nov 01/05

PART NUMBER	AIRLINE PART NO.	FIG.	ITEM	TTL REQ
161T1326-3		17	18A	1
		18	18A	1
161T1326-4		17	20A	1
		18	20A	1
161T1327-1		17	15	1
		18	15	1
161T1329-1		17	17	1
		18	17	1
161T1330-1		17	19	1
		18	19	1
161T1330-3		17	19A	1
		18	19A	1
161T2008-1		17	230	1
		18	230	1
161T2008-2		17	317	1
		18	317	1
161T2008-3		17	230A	1
		18	230A	1
161T2008-4		17	317A	1
		18	317A	1
161T2008-5		17	230B	1
		18	230B	1
161T2008-6		17	317B	1
		18	317B	1
161T2015-1		17	302	1
		18	302	1
161T2030-1		17	905	1
		18	905	1
161T2031-1		17	910	1
		18	910	1
161T2049-1		17	314	2
		18	314	2
161T6005-1		17	320	1
		18	320	1
161T6005-2		17	347	1
		18	347	1

**32-11-20**

ILLUSTRATED PARTS LIST  
01.1 Page 1042Q  
Nov 01/05



PART NUMBER	AIRLINE PART NO.	FIG.	ITEM	TTL REQ
161T6005-3		17	320A	1
		18	320A	1
161T6005-4		17	347A	1
		18	347A	1
161T6019-1		17	332	1
		18	332	1
161T6020-1		17	335	1
		18	335	1
161T6038-1		17	341	4
		18	341	4
161T6040-11		17	311	4
		18	311	4
161T6041-1		17	70	4
		18	70	4
161T6044-1		17	344	2
		18	344	2
162T2015-5		17	362	1
		18	362	1
163U6008-2		10	40	4
163U6009-1		10	120	4
163U6010-1		10	125	4
165T0000-1		9	1	RF
		17	538	1
		17	865	1
		18	538	1
		18	865	1
165T0000-5007		9	5	4
		10	1	RF
165T0000-5020		9	5H	4
165T0000-5029		9	6F	4
165T0000-5030		9	5T	4
165T0000-5031		9	5U	4
165T0000-5032		9	5V	4
165T0000-5033		9	5W	4
165T0000-5034		9	5Y	4
165T0000-5035		9	5Z	4
165T0000-5037		9	6A	4
165T0000-5038		9	6B	4
165T0000-5039		9	6C	4
165T0000-5040		9	6D	4
165T0000-5050		9	6G	4

# 32-11-20

 ILLUSTRATED PARTS LIST  
 01.1 Page 1042R  
 Nov 01/05

PART NUMBER	AIRLINE PART NO.	FIG.	ITEM	TTL REQ
165T0000-5051		9	6H	4
165T0000-5053		9	6J	4
		10	1B	RF
165T0000-5055		9	6L	4
165T0000-5070		9	7A	4
165T0000-5072		9	7B	4
165T0000-5080		9	7C	4
165T0000-5081		9	7D	4
165T0000-5082		9	7E	4
165T0000-5083		9	7F	4
165T0000-5090		9	7G	4
		10	1D	4
165T0000-5091		9	7H	4
165T0100-14		9	295E	4
165T0100-15		9	295F	4
		9	297F	4
165T0100-16		9	295P	4
165T0100-17		10	130	4
165T0100-18		9	295Q	4
165T0100-20		9	295S	4
165T0100-21		9	295R	4
165T0100-22		9	296T	4
165T0100-25		9	297A	4
165T0100-26		9	297B	4
165T0100-28		9	297D	4
165T0100-29		9	297C	4
165T0100-31		9	297G	4
165T0100-32		9	297H	4
165T0100-34		9	297J	4
165T0100-6		9	295	4
		9	296X	4
165T0100-7		9	295A	4
		9	296Z	4
165T0100-9		9	295C	4
		9	297E	4
165T0101-1		9	10B	4
165T0101-101		9	250	4
165T0101-102		9	245	4
		10	60	4
165T0101-103		9	180	4
		10	15	4
165T0101-105		10	50	4
165T0101-107		9	180C	4
165T0101-13		9	10G	4
165T0101-14		10	5B	4
165T0101-15		9	10J	4

**32-11-20**

ILLUSTRATED PARTS LIST  
01.1 Page 1042S  
Nov 01/05

PART NUMBER	AIRLINE PART NO.	FIG.	ITEM	TTL REQ
165T0101-17		9	10U	4
165T0101-18		9	10T	4
165T0101-23		10	5C	4
165T0101-24		9	10R	4
165T0101-25		9	10S	4
165T0101-4		9	10	4
165T0101-5		9	10A	4
165T0101-6		10	5	4
165T0101-7		9	10E	4
165T0101-8		9	10C	4
165T0101-9		9	10D	4
165T0200-1		10	45	4
165T0201-1		10	100	4
1728B		17	167	1
		17	209	1
		17	338	1
		17	356	1
		18	167	1
		18	209	1
		18	338	1
		18	356	1
1992B		11	25	1
		11	30	1
		17	31	2
		17	308	2
		18	31	2
		18	308	2
1992B1		17	31A	2
		18	31A	2
2-03005T10		2	233	4
2-03005T6		2	191	28
		2	191B	6
		2	233B	4
		7	190	2

# 32-11-20

 ILLUSTRATED PARTS LIST  
 01.1 Page 1042T  
 Nov 01/05

PART NUMBER	AIRLINE PART NO.	FIG.	ITEM	TTL REQ
2100-211		2	279	8
22K1-02		3	469	4
26CL02		3	469	4
2602101		9	300C	4
2606169-14		8	300	4
		17	455	4
		18	455	4
2606741-1		9	310A	4
		17	452C	4
		18	452C	4
2606950		8	305	4
		17	458	4
		18	458	4
2607092-1		17	537A	4
		18	537A	4
2607092-3		9	290	4
		17	537C	4
		18	537C	4
2608765		8	305A	4
		17	458A	4
		18	458A	4
2608811-3		8	295	4
		9	310	4
		10	150A	4
		17	452A	4
		18	452A	4
2608811-5		8	295B	4
		9	310B	4
		10	150	4
2608812-10		9	290J	4
		10	115G	4

**32-11-20**

ILLUSTRATED PARTS LIST  
01.1 Page 1042U  
Nov 01/05

PART NUMBER	AIRLINE PART NO.	FIG.	ITEM	TTL REQ
2608812-11		9	290G	4
		10	115E	4
2608812-2		8	310	4
		17	537B	4
		18	537B	4
2608812-4		8	310D	4
		9	290B	4
2608812-4		17	537G	4
		18	537G	4
2608812-6		9	290C	4
		10	115A	4
2608812-7		9	290D	4
		10	115B	4
2608812-9		9	290F	4
		10	115D	4
2612412-1		9	290K	4
		10	115H	4
270T0004-209		2	362	2
270T0004-265		7	40	2
270T0004-299		2	911	2
270T0004-302		2	404	1
270T0004-357		2	455	2
270T0004-361		2	410	1
270T0004-417		2	383	2
270T0004-483		2	269	4
		19	710	4
270T0004-615		2	407	1
270T0004-634		2	431	4
270T0004-77		2	359	1
270T0004-78		2	380	1
270T0004-90		2	452	1
270T0004-91		2	428	2
270T0004-94		2	401	1
270T0004-96		7	35	1
270T0005-230		7	10	1
270T0005-231		7	60	1
270T0005-2409		2	365	1

# 32-11-20

 ILLUSTRATED PARTS LIST  
 01.1 Page 1042V  
 Nov 01/05

PART NUMBER	AIRLINE PART NO.	FIG.	ITEM	TTL REQ
270T0005-278		2	344	1
270T0005-281		2	908	1
		19	715	1
270T0005-422		2	434	1
270T0005-630		2	413	2
270T0005-631		2	386	1
272T0173-1		3	691	1
272T0173-2		3	692	1
272T0173-3		3	712	1
272T0173-4		3	713	1
272T0173-5		3	709	1
272T0173-6		3	710	1
272T0173-7		3	706	1
272T0174-1		3	518	1
272T0174-2		3	519	1
272T0174-3		3	530	1
272T0174-4		3	531	1
272T0174-5		3	533	1
272T6100-1		2	1	RF
		17	569	1
272T6100-105		7	165	1
272T6100-106		7	170	1
272T6100-111		7	175	1
272T6100-112		7	180	1
272T6100-126		2	224	1
272T6100-127		2	206	1
272T6100-128		2	221	1
272T6100-129		2	122	1
272T6100-130		2	134	1
272T6100-131		2	119	1
272T6100-132		2	131	1
272T6100-133		2	146	1
272T6100-134		2	158	1
272T6100-135		2	143	1
272T6100-136		2	155	1
272T6100-137		2	98	1
272T6100-138		2	110	1
272T6100-139		2	95	1
272T6100-140		2	107	1
272T6100-141		2	74	1
272T6100-142		2	86	1
272T6100-143		2	71	1
272T6100-144		2	83	1
272T6100-145		2	50	1
272T6100-146		2	62	1

**32-11-20**

ILLUSTRATED PARTS LIST  
01.1 Page 1042W  
Nov 01/05

PART NUMBER	AIRLINE PART NO.	FIG.	ITEM	TTL REQ
272T6100-147		2	47	1
272T6100-148		2	59	1
272T6100-149		2	209	1
272T6100-150		2	200	1
		19	720	1
272T6100-151		2	215	1
		19	725	1
272T6100-152		2	194	1
		19	730	1
272T6100-153		2	197	1
		19	735	1
272T6100-155		2	167	1
		19	740	1
272T6100-156		2	173	1
		19	745	1
272T6100-157		2	179	1
		19	750	1
272T6100-158		2	185	1
		19	755	1
272T6100-159		2	149	1
		19	760	1
272T6100-160		2	161	1
		19	765	1
272T6100-161		2	101	1
		19	770	1
272T6100-162		2	113	1
		19	775	1
272T6100-163		2	77	1
		19	780	1
272T6100-164		2	89	1
		19	785	1
272T6100-165		2	53	1
		19	790	1
272T6100-166		2	65	1
		19	795	1

# 32-11-20

 ILLUSTRATED PARTS LIST  
 01.1 Page 1042X  
 Nov 01/05

PART NUMBER	AIRLINE PART NO.	FIG.	ITEM	TTL REQ
272T6100-167		2	125	1
		19	800	1
272T6100-168		2	137	1
		19	805	1
272T6100-169		2	212	1
		19	810	1
272T6100-170		2	227	1
		19	815	1
272T6100-171		2	53B	1
		19	820	1
272T6100-2		2	2	RF
272T6100-2		18	570	1
272T6100-216		2	215A	1
		19	725A	1
272T6100-217		2	194A	1
		19	730A	1
272T6100-218		2	197A	1
		19	735A	1
272T6100-219		2	149B	1
		19	760A	1
272T6100-220		2	161B	1
		19	765A	1
272T6100-221		2	101B	1
		19	770A	1
272T6100-222		2	113B	1
		19	775A	1
272T6100-223		2	77B	1
		19	780A	1
272T6100-224		2	89B	1
		19	785A	1
272T6100-225		2	53C	1
		19	820A	1
272T6100-226		2	65B	1
		19	795A	1

**32-11-20**

ILLUSTRATED PARTS LIST  
01.1 Page 1042Y  
Nov 01/05



PART NUMBER	AIRLINE PART NO.	FIG.	ITEM	TTL REQ
272T6100-227		2	200A	1
		19	720A	1
272T6100-5019		2	5J	1
272T6100-5020		2	6J	1
272T6100-5023		2	5K	1
272T6100-5024		2	6K	1
272T6100-5027		2	5L	1
272T6100-5028		2	6L	1
272T6100-5033		2	5P	1
272T6100-5034		2	6P	1
272T6100-5035		2	5Q	1
272T6100-5036		2	6Q	1
272T6100-5037		2	5R	1
272T6100-5038		2	6R	1
272T6100-5039		2	5S	1
272T6100-5040		2	6S	1
272T6100-5041		2	5T	1
272T6100-5042		2	6T	1
272T6100-5045		2	5U	1
272T6100-5047		2	5V	1
272T6100-5048		2	6V	1
272T6100-5049		2	5W	1
272T6100-5050		2	6W	1
272T6100-5051		2	5X	1
272T6100-5052		2	6X	1
272T6100-5055		2	5Z	1
272T6100-5056		2	6Z	1
272T6100-5057		2	4A	1
272T6100-5058		2	7	1
272T6100-5059		2	4B	1
272T6100-5060		2	7A	1
272T6115-1		2	320	1
272T6115-2		2	323	1
272T6117-13		2	290C	1
272T6117-14		2	293C	1

# 32-11-20

 ILLUSTRATED PARTS LIST  
 01.1 Page 1042Z  
 Nov 01/05

PART NUMBER	AIRLINE PART NO.	FIG.	ITEM	TTL REQ
272T6117-19		2	290E	1
		19	825	1
272T6117-20		2	293E	1
		19	830	1
272T6117-3		2	285	1
		7	1	RF
		19	835	1
272T6117-4		2	287	1
		7	5	RF
		19	840	1
272T6117-7		7	50	1
272T6117-8		7	55	1
272T6118-1		2	679	1
272T6118-2		2	676	1
272T6123-1		2	682	2
272T6124-1		2	20	1
272T6124-2		2	32	1
272T6124-3		2	23	4
		2	38	1
272T6125-1		2	515	1
272T6125-2		2	542	1
272T6126-1		2	539	1
272T6126-2		2	536	1
272T6127-1		2	26	4
272T6129-1		2	260	1
272T6129-2		2	254	2
272T6129-3		2	266	1
272T6129-4		2	257	1
272T6130-1		2	491	1
272T6130-2		2	485	1
272T6130-5		2	482	1
272T6130-6		2	476	1
272T6130-7		2	473	1
272T6131-3		7	195	1
272T6131-4		7	200	1
272T6137-1		2	694	2
272T6137-2		2	691	2
272T6138-1		2	685	2
272T6139-1		2	622	1
272T6139-2		2	589	1
		2	646	1
272T6140-10		2	607	1

**32-11-20**

ILLUSTRATED PARTS LIST  
01.1 Page 1043  
Nov 01/05

PART NUMBER	AIRLINE PART NO.	FIG.	ITEM	TTL REQ
272T6140-11		2	568	1
272T6140-12		2	571	1
272T6140-19		2	604B	1
272T6140-20		2	607B	1
272T6140-21		2	568A	1
272T6140-22		2	571A	1
272T6140-9		2	604	1
272T6141-1		2	601	1
		2	655	1
272T6141-2		2	598	1
		2	658	1
272T6142-1		2	640	1
272T6142-2		2	583	1
272T6142-5		2	640A	1
272T6142-6		2	583A	1
272T6143-2		2	562	2
		2	595	1
		2	652	1
272T6143-3		2	586	1
		2	643	1
272T6144-1		2	625	1
273T6100-10		2	866A	1
273T6100-7		2	820	1
273T6100-8		2	866	1
273T6100-9		2	820A	1
273T6131-1		2	829	1
273T6132-1		2	832	1
273T6133-1		2	838	2
273T6134-1		2	841	1
273T6134-2		2	856	1
273T6138-1		2	859	1
273T6200-3		2	872	1
273T6200-4		2	893	1
273T6200-5		2	872A	1
273T6200-6		2	893A	1
273T6211-1		6	35	1
273T6300-5		2	905	1
		6	1	RF
273T6300-6		6	50	1
273T6300-7		2	905A	1
		6	1A	RF
273T6300-8		6	50A	1
274T6100-1		2	272	4

# 32-11-20

 ILLUSTRATED PARTS LIST  
 01.1 Page 1044  
 Nov 01/05

PART NUMBER	AIRLINE PART NO.	FIG.	ITEM	TTL REQ
274T6100-2		2	272A	4
274T6100-3		2	272B	4
274T6101-1		2	273	1
274T6101-2		2	273E	1
274T6101-3		2	273J	1
284T0262-1		4	20	1
284T0262-2		4	25	1
284T0262-3		4	30	1
284T0262-4		4	35	1
284T0262-5		4	40	1
284T0262-5001		4	60	1
284T0262-5002		4	65	1
284T0262-5003		4	70	1
284T0262-5004		4	75	1
284T0262-5005		4	80	1
284T0262-5006		4	85	1
284T0262-5007		4	90	1
284T0262-5008		4	95	1
284T0262-5011		4	60A	1
284T0262-5012		4	65A	1
284T0262-5013		4	70A	1
284T0262-5014		4	75A	1
284T0262-5015		4	80A	1
284T0262-5016		4	85A	1
284T0262-5017		4	90A	1
284T0262-5018		4	95A	1
284T0262-5021		4	60B	1
284T0262-5022		4	65B	1
284T0262-5023		4	70B	1
284T0262-5024		4	75B	1
284T0262-5025		4	80B	1
284T0262-5026		4	85B	1
284T0262-5027		4	90B	1
284T0262-5028		4	95B	1
284T0262-6		4	45	1

**32-11-20**

ILLUSTRATED PARTS LIST  
01.1 Page 1044A  
Nov 01/05

PART NUMBER	AIRLINE PART NO.	FIG.	ITEM	TTL REQ
284T0262-7		4	50	1
284T0262-8		4	55	1
284T0267-13		4	155	1
284T0267-14		4	160	1
284T0267-15		4	155A	1
		12	1A	RF
284T0267-16		4	160A	1
		12	5	RF
284T0267-3		4	300	1
284T0267-4		4	305	1
284T0267-5001		4	165	1
284T0267-5002		4	170	1
284T0267-5003		4	165A	1
284T0267-5004		4	170A	1
284T0267-7		4	375	1
284T0267-8		4	380	1
284T0270-1		4	450	1
		19	610	1
284T0270-2		4	455	1
		19	615	1
284T0270-3		4	555	1
		19	620	1
284T0270-4		4	560	1
		19	625	1
284T0270-5001		4	521	1
284T0270-7001		4	462	1
284T0278-2		4	480	1
		4	585A	1
284T0278-3		4	340	1
		4	415	1
284T0279-4		4	345	1
		4	420	1
284T0424-1		4	335	1
		4	405	1

# 32-11-20

 ILLUSTRATED PARTS LIST  
 01.1 Page 1044B  
 Nov 01/05

PART NUMBER	AIRLINE PART NO.	FIG.	ITEM	TTL REQ
284T0424-2		4	330	1
		4	410	1
284T0425-10		20	30	1
284T0425-3		4	540A	1
284T0425-5		4	540	1
284T0425-7		4	540B	1
		20	55	1
284T0425-9		20	35	1
284T0426-1		4	500	1
284T0427-1		4	535	2
284T0427-2		4	535A	2
284T0427-2		20	50	2
284T0427-3		4	535B	2
284T0437-2		4	525	1
284T0437-3		4	525A	1
284T0437-4		4	525B	1
284T0437-5		4	525C	1
284T0437-6		20	40	1
284T0437-8		20	15	1
284T0437-9		4	525D	1
		20	1A	RF
284T0519-1		4	520	2
284T0540-3		4	270	1
		12	70	1
284T0540-6		12	75	1
284T0541-10		4	220	1
284T0541-11		12	25	1
284T0541-12		12	26	1
284T0541-5		4	205	1
284T0541-6		4	215	1
284T0541-9		4	210	1

**32-11-20**

ILLUSTRATED PARTS LIST  
01.1 Page 1044C  
Nov 01/05

PART NUMBER	AIRLINE PART NO.	FIG.	ITEM	TTL REQ
284T0855-1		4	235	4
284T0856-1		4	225	2
284T0857-1		4	275	1
		12	80	1
284T0870-1		4	230	2
284T6100-3		4	1	RF
		17	579	1
284T6100-4		4	5	RF
		18	582	1
284T6100-5001		4	10	1
284T6100-5002		4	15	1
284T6100-5003		4	10A	1
284T6100-5004		4	15A	1
284T6100-5005		4	10B	1
284T6100-5006		4	15B	1
284T6100-5007		4	10C	1
284T6100-5008		4	15C	1
284U1262-9		12	30A	1
287T0000-5		3	1	RF
		17	573	1
287T0000-6		3	3	RF
		18	576	1
287T6101-10		3	9B	1
287T6101-11		3	6C	1
287T6101-12		3	9C	1
287T6101-17		3	7B	1
287T6101-18		3	10B	1
287T6101-19		3	7F	1
287T6101-20		3	10F	1
287T6101-21		3	6H	1
287T6101-22		3	9H	1
287T6101-27		3	740	1
287T6101-28		3	745	1
287T6101-33		3	7E	1
		19	640	1
287T6101-34		3	10E	1
		19	645	1
287T6101-35		3	7G	1
287T6101-36		3	10G	1
287T6101-41		3	6L	1
287T6101-42		3	9L	1
287T6101-7		3	6A	1
		19	630	1
287T6101-8		3	9A	1
		19	635	1

# 32-11-20

 ILLUSTRATED PARTS LIST  
 01.1 Page 1044D  
 Nov 01/05

PART NUMBER	AIRLINE PART NO.	FIG.	ITEM	TTL REQ
287T6101-9		3	6B	1
287T6104-23		3	156F	1
287T6104-24		3	159F	1
287T6104-29		3	494G	1
287T6104-30		3	488G	1
287T6104-31		3	497J	1
287T6104-32		3	491J	1
287T6104-33		3	156G	1
287T6104-34		3	159G	1
287T6104-35		3	494H	1
287T6104-36		3	488H	1
287T6104-37		3	497K	1
287T6104-38		3	491K	1
287T6104-45		3	156H	1
287T6104-46		3	159H	1
287T6104-47		3	494F	1
287T6104-48		3	488F	1
287T6104-49		3	497H	1
287T6104-50		3	491H	1
287T6104-55		3	156C	1
287T6104-56		3	159C	1
287T6104-57		3	494C	1
287T6104-58		3	497E	1
287T6104-59		3	488C	1
287T6104-60		3	491E	1
287T6104-73		3	156J	1
287T6104-74		3	159J	1
287T6104-75		3	494J	1
287T6104-76		3	497L	1
287T6104-77		3	488J	1
287T6104-78		3	491L	1
287T6109-1		3	201	1
287T6109-2		3	210	1
287T6111-10		3	509	2
		3	638	2

**32-11-20**

ILLUSTRATED PARTS LIST  
01.1 Page 1044E  
Nov 01/05



PART NUMBER	AIRLINE PART NO.	FIG.	ITEM	TTL REQ
287T6111-15		3	407	2
287T6111-17		17	603	1
		17	642	2
		18	603	1
		18	612	2
		18	642	2
287T6111-19		17	615	1
		17	654	2
		18	615	1
		18	654	2
287T6111-21		3	392	1
287T6111-22		3	383	1
287T6111-23		3	395	2
287T6111-39		3	431	1
287T6111-40		3	440	1
287T6111-42		3	48	1
287T6111-43		3	33	1
287T6111-44		3	548	1
		3	650	1
287T6111-45		3	570	1
287T6111-46		3	571	1
287T6111-47		3	730	1
287T6111-48		3	731	1
287T6111-49		3	579	1
287T6111-5		17	122	1
287T6111-50		3	580	1
287T6111-51		3	679	1
287T6111-52		3	680	1
287T6111-53		3	688	1
287T6111-54		3	689	1
287T6111-55		3	590	1
		3	733	1

# 32-11-20

 ILLUSTRATED PARTS LIST  
 01.1 Page 1044F  
 Nov 01/05

PART NUMBER	AIRLINE PART NO.	FIG.	ITEM	TTL REQ
287T6111-56		3	593	1
		3	734	1
287T6111-57		3	599	1
		3	735	1
287T6111-58		3	596	2
		3	727	2
287T6111-59		3	542	1
287T6111-6		18	125	1
287T6111-60		3	543	1
287T6111-61		3	676	1
287T6111-62		3	677	1
287T6111-66		3	573	2
		3	682	2
287T6111-67		3	552	1
		3	653	1
287T6111-68		3	558	1
		3	659	1
287T6111-69		3	567	1
		3	667	1
287T6111-7		17	128	1
287T6111-70		3	548A	1
		3	650A	1
287T6111-71		3	33C	1
287T6111-8		18	131	1
287T6111-84		3	623C	1
287T6114-10		3	90A	2
287T6114-11		3	87	1
287T6114-6		3	84	1
287T6114-7		3	75B	1
287T6114-8		3	78B	1
287T6114-9		3	93A	1
287T6116-11		3	515	2
		3	644	2
287T6116-12		3	515B	2
		3	644B	2
287T6116-5		3	410A	4
287T6122-2		3	623	1
287T6123-3		3	626	2

**32-11-20**

ILLUSTRATED PARTS LIST  
01.1 Page 1044G  
Nov 01/05

PART NUMBER	AIRLINE PART NO.	FIG.	ITEM	TTL REQ
287T6123-5		3	626C	2
287T6125-1		3	576	1
		3	685	1
287T6125-2		3	555	1
		3	656	1
287T6131-1		3	475	4
3100050		4	110C	4
3140AB081		3	479	4
		3	480A	2
3140AB082		17	557	1
		18	557	1
3140AB082E		17	557A	1
		18	557A	1
3140AB101		2	479	1
		2	480	1
		3	102	1
3140AB103E		2	480A	1
3140AB115		2	488	1
3140AB116		3	153	2
3140AB116E		2	488A	1
3140AB118		2	494	1
31783-10		2	233	4
31783-6		2	191	28
		2	191B	6
		2	233B	4
		7	190	2
3199634		4	110	4
4305890010		10	105	4
4305901040		10	140	4
4305910080		10	135	4
4305990050		10	110	4
43610-02		3	718	1
43610-048		3	564	4
		3	584	4
		3	664	4
		3	721	3
4671113-060606		7	100	1
4671113-061010		7	105	1
468K22-1		8	290L	4
		9	305N	4
		10	145A	4
		17	449M	4
		18	449M	4

# 32-11-20

 ILLUSTRATED PARTS LIST  
 01.1 Page 1044H  
 Nov 01/05

PART NUMBER	AIRLINE PART NO.	FIG.	ITEM	TTL REQ
468K29-2		9	306A	4
468K29T1		9	305W	4
468K62-1		8	290Q	4
		8	290R	1
		9	305X	4
		17	449Q	4
		18	449Q	4
468K62T1		8	290Q	4
		8	290R	1
		9	305X	4
		17	449Q	4
		18	449Q	4
468K82T1		9	305Y	4
470S25HT		3	24A	2
48FT1216		17	55	2
		18	55	2
48FT1414		17	67	2
		17	152	1
		17	206	1
		17	365	1
		18	67	2
		18	152	1
		18	206	1
		18	365	1
50-3361-8201		2	887	1
		6	30	1
509SS25		3	58B	2
		3	108B	1
		3	126B	1
		3	138B	1
509S10		3	174D	1
		3	186D	8
		3	192D	2
		3	350D	2
		3	368D	2
		3	422B	3
		3	449C	2
		3	471	6
		3	611D	2

**32-11-20**

ILLUSTRATED PARTS LIST  
01.1 Page 1044I  
Nov 01/05

PART NUMBER	AIRLINE PART NO.	FIG.	ITEM	TTL REQ
509S12		3	174A	1
509S12		3	186A	8
		3	192A	2
		3	350A	2
		3	368A	2
		3	422A	3
		3	449A	2
		3	611	2
509S20		3	58C	2
		3	108C	1
		3	126C	1
		3	138C	1
509S25		3	58A	2
		3	108A	1
		3	126A	1
		3	138A	1
509S7		3	428	3
		3	452	2
		3	470	4
51220CH		3	24B	2
52NE066		17	504	1
		18	504	1
56287M1612		17	119B	1
		17	164B	1
		18	119B	1
		18	164B	1
57490-081		3	479	4
		3	480A	2
57490-116		3	153	2
57490-808		3	479	4
		3	480A	2
57490-810		3	479	4
		3	480A	2

# 32-11-20

 ILLUSTRATED PARTS LIST  
 01.1 Page 1044J  
 Nov 01/05

PART NUMBER	AIRLINE PART NO.	FIG.	ITEM	TTL REQ
57490-815		17	557	1
		18	557	1
57490-818		17	557	1
		18	557	1
57490-819		17	557	1
		18	557	1
591200-1		2	283	4
60B10055-2		8	285A	4
		9	300A	4
		80	1A	RF
60B10055-4		8	285	4
		9	300	4
		17	446	4
		18	446	4
		80	1	RF
60B80106-1		8	140	4
		9	150	4
		17	839	4
		18	839	4
6006TT		8	100	8
		9	110	8
		17	824	8
		18	824	8
61T1100-229		17	565L	1
62547-6-5		4	180	2
65B05457-2		17	305	1
		18	305	1
65B80254-122		7	90	2
65B80254-180		7	85	1
65B84414-4		8	120	4
		9	130	4
		17	832	4
		18	832	4

**32-11-20**

ILLUSTRATED PARTS LIST  
01.1 Page 1044K  
Nov 01/05

PART NUMBER	AIRLINE PART NO.	FIG.	ITEM	TTL REQ
65B84414-5		8	130	4
		9	140	4
		17	836	4
		18	836	4
66-18544-1		17	485	1
		18	485	1
66014-6		4	185	2
		8	55	44
		9	65	44
		17	805	44
69B83394-2		18	805	44
		8	105	4
		9	115	4
		17	826	4
69B83395-1		18	826	4
		8	30	4
69B83395-1		9	40	4
		17	795	4
69B83395-1		18	795	4
		8	110	4
69B83396-2		9	120	4
		17	828	4
		18	828	4
		8	110A	4
69B83396-3		9	120A	4
		17	828A	4
		18	828A	4
		4	240	2
69B96332-1		17	55A	2
		18	55A	2
69235-1216CD		17	67A	2
		17	152A	1
69235-1414CD		17	206B	1
		17	365A	1
		18	67A	2
		18	152A	1
		18	206A	1
		18	206A	1
		18	365A	1
		18	365A	1
7355		2	811	1
		17	561	1
75984		18	561	1
		8	140	4
		9	150	4
		17	839	4
		18	839	4

# 32-11-20

 ILLUSTRATED PARTS LIST  
 01.1 Page 1044L  
 Nov 01/05

PART NUMBER	AIRLINE PART NO.	FIG.	ITEM	TTL REQ
77-395		8	265	4
		9	275	4
		17	420	4
		18	420	4
		18	420	4
78529		8	160	4
		8	205	4
		9	170	4
		9	215	4
		10	35	4
		17	401	4
		17	847	4
		18	401	4
		18	847	4
		18	847	4
8068XSC25		3	24A	2
8412		2	811A	1
8412		7	205A	1
		17	561A	1
84490-1		18	561A	1
		8	160A	4
		8	205A	4
		9	170A	4
		9	215A	4
		10	35A	4
		17	401A	4
		17	847A	4
		18	401A	4
		18	847A	4
9106LLT1C1-01		8	100	8
		9	110	8
		17	824	8
		18	824	8
9106NPPFS428		8	100	8
		9	110	8
		17	824	8
		18	824	8
		18	824	8

**32-11-20**

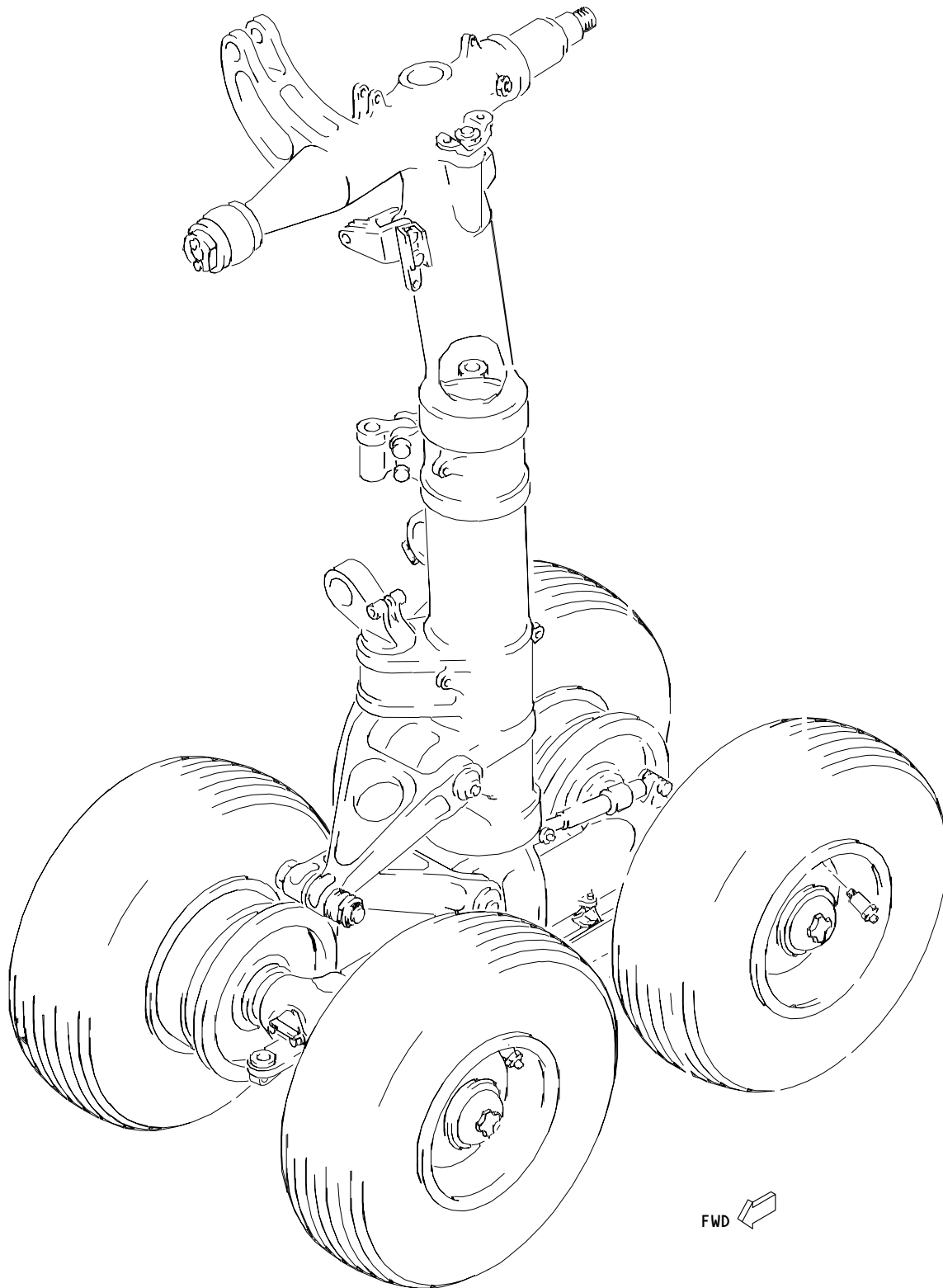
ILLUSTRATED PARTS LIST  
01.1 Page 1044M  
Nov 01/05



PART NUMBER	AIRLINE PART NO.	FIG.	ITEM	TTL REQ
9106NPPFS464		9	110B	8
		17	824B	8
		18	824B	8
96-02		2	251	8
		2	356	2
		2	377	2
		2	398	2
		2	425	6
		2	446	3
		2	533	2
		2	883	2
		4	200	2
		4	265	2
		4	325	4
		4	360	2
		4	400	4
		4	435	2
		6	20	2
96-048		7	30	1
		7	80	1
		2	242	2
		3	527	1
		17	239	2
96-048		17	329	2
		17	428	8
		17	516	4
		17	546	2
		18	239	2
		18	329	2
		18	428	8
		18	516	4
96-064		18	546	2
		17	476	4
		18	476	4
97-048		2	274U	4
97E02		3	485	4
97934A04EE0130B		2	899	1
97934A04EE0130D		6	45	1
		2	899A	1
		6	45A	1
97934A06EN0700B		2	41	1
993L06		8	100	8
		9	110	8
		17	824	8
		18	824	8

# 32-11-20

 ILLUSTRATED PARTS LIST  
 01.1 Page 1044N  
 Nov 01/05



Main Landing Gear Buildup Assembly  
Figure 1

**32-11-20**

ILLUSTRATED PARTS LIST  
01.1 Page 1044P  
Nov 01/05

 **BOEING**  
COMPONENT  
MAINTENANCE MANUAL

FIG. & ITEM	PART NO.	AIRLINE PART NUMBER	NOMENCLATURE 1234567	EFF CODE	QTY PER ASSY
01-					
-1	161T1000-139		DELETED		
-1A	161T1000-141		DELETED		
-1B	161T1000-151		DELETED		
-1C	161T1000-153		BUILDUP ASSY-MLG (LH) (REFER TO SERVICE LETTER 767-SL-0032-0021 FOR LIFE LIMIT DATA ON THE PARTS THAT MAKE UP THESE COMPONENTS.) (FOR DETAILS SEE FIG. 17)	A	RF
-1D	161T1000-155		BUILDUP ASSY-MLG (LH) (FOR DETAILS SEE FIG. 17)	B	RF
-1E	161T1000-157		BUILDUP ASSY-MLG (LH) (FOR DETAILS SEE FIG. 17)	C	RF
-1F	161T1000-161		DELETED		
-1G	161T1000-163		BUILDUP ASSY-MLG (LH) (FOR DETAILS SEE FIG. 17)	D	RF
-1H	161T1000-165		BUILDUP ASSY-MLG (LH) (FOR DETAILS SEE FIG. 17)	E	RF
-1J	161T1000-177		BUILDUP ASSY-MLG (LH) (FOR DETAILS SEE FIG. 17)	F	RF
-1K	161T1000-179		DELETED		
-1L	161T1000-185		BUILDUP ASSY-MLG (LH) (FOR DETAILS SEE FIG. 17)	G	RF
-1M	161T1000-189		BUILDUP ASSY-MLG (LH) (FOR DETAILS SEE FIG. 17)	H	RF
-1N	161T1000-191		DELETED		
-1P	161T1000-199		DELETED		
-1Q	161T1000-201		DELETED		
-1R	161T1000-207		BUILDUP ASSY-MLG (LH) (FOR DETAILS SEE FIG. 17)	J	RF
-1S	161T1000-209		BUILDUP ASSY-MLG (LH) (FOR DETAILS SEE FIG. 17)	K	RF

**32-11-20**

ILLUSTRATED PARTS LIST  
01.1 Page 1044Q  
Nov 01/05

FIG. & ITEM	PART NO.	AIRLINE PART NUMBER	NOMENCLATURE 1234567	EFF CODE	QTY PER ASSY
01- -1T	161T1000-211		BUILDUP ASSY-MLG (LH) (FOR DETAILS SEE FIG. 17)	L	RF
-1U	161T1000-213		BUILDUP ASSY-MLG (LH) (FOR DETAILS SEE FIG. 17)	M	RF
-1V	161T1000-215		BUILDUP ASSY-MLG (LH) (FOR DETAILS SEE FIG. 17)	N	RF
-1W	161T1000-217		BUILDUP ASSY-MLG (LH) (FOR DETAILS SEE FIG. 17)	P	RF
-1X	161T1000-219		BUILDUP ASSY-MLG (LH) (FOR DETAILS SEE FIG. 17)	Q	RF
-1Y	161T1000-237		BUILDUP ASSY-MLG (LH) (FOR DETAILS SEE FIG. 17)	R	RF
-1Z	161T1000-239		DELETED		
-2	161T1000-247		BUILDUP ASSY-MLG (LH) (FOR DETAILS SEE FIG. 17)	S	RF
-2A	161T1000-249		BUILDUP ASSY-MLG (LH) (FOR DETAILS SEE FIG. 17)	T	RF
-2B	161T1000-251		DELETED		
-2C	161T1000-253		BUILDUP ASSY-MLG (LH) (FOR DETAILS SEE FIG. 17)	U	RF
-2D	161T1000-255		BUILDUP ASSY-MLG (LH) (FOR DETAILS SEE FIG. 17)	V	RF
-2E	161T1000-257		DELETED		
-2F	161T1000-259		DELETED		
-2G	161T1000-263		DELETED		
-2H	161T1000-269		DELETED		
-2J	161T1000-275		DELETED		
-2K	161T1000-277		DELETED		
-2L	161T1000-279		DELETED		
-2M	161T1000-281		DELETED		
-2N	161T1000-283		DELETED		
-2P	161T1000-285		DELETED		
-2Q	161T1000-291		BUILDUP ASSY-MLG (LH) (FOR DETAILS SEE FIG. 17)	W	RF

# 32-11-20

 ILLUSTRATED PARTS LIST  
 01.1 Page 1044R  
 Nov 01/05

FIG. & ITEM	PART NO.	AIRLINE PART NUMBER	NOMENCLATURE 1234567	EFF CODE	QTY PER ASSY
01- -2R	161T1000-293		BUILDUP ASSY-MLG (LH) (FOR DETAILS SEE FIG. 17)	X	RF
-2S	161T1000-297		DELETED		
-2T	161T1000-303		BUILDUP ASSY-MLG (LH) (FOR DETAILS SEE FIG. 17)	Y	RF
-2U	161T1000-309		DELETED		
-2V	161T1000-311		DELETED		
-2W	161T1000-313		DELETED		
-2X	161T1000-315		DELETED		
-2Y	161T1000-317		DELETED		
-2Z	161T1000-319		DELETED		
-3	161T1000-323		DELETED		
-3A	161T1000-325		DELETED		
-3B	161T1000-327		BUILDUP ASSY-MLG (LH) (FOR DETAILS SEE FIG. 17)	Z	RF
-3C	161T1000-333		BUILDUP ASSY-MLG (LH) (FOR DETAILS SEE FIG. 17)	AA	RF
-3D	161T1000-335		BUILDUP ASSY-MLG (LH) (FOR DETAILS SEE FIG. 17)	AB	RF
-3E	161T1000-337		BUILDUP ASSY-MLG (LH) (FOR DETAILS SEE FIG. 17)	AC	RF
-3F	161T1000-339		DELETED		
-3G	161T1000-341		BUILDUP ASSY-MLG (LH) (FOR DETAILS SEE FIG. 17)	AD	RF
-3H	161T1000-347		BUILDUP ASSY-MLG (LH) (FOR DETAILS SEE FIG. 17)	AE	RF
-3J	161T1000-377		DELETED		
-3K	161T1000-381		BUILDUP ASSY-MLG (LH) (FOR DETAILS SEE FIG. 17)	AF	RF
-3L	161T1000-385		BUILDUP ASSY-MLG (LH) (FOR DETAILS SEE FIG. 17)	AG	RF
-3M	161T1000-391		BUILDUP ASSY-MLG (LH) (FOR DETAILS SEE FIG. 17)	AH	RF

**32-11-20**

ILLUSTRATED PARTS LIST  
01.1 Page 1044S  
Nov 01/05

FIG. & ITEM	PART NO.	AIRLINE PART NUMBER	NOMENCLATURE 1234567	EFF CODE	QTY PER ASSY
01- -3N	161T1000-397		BUILDUP ASSY-MLG (LH) (FOR DETAILS SEE FIG. 17)	AJ	RF
-3P	161T1000-399		BUILDUP ASSY-MLG (LH) (FOR DETAILS SEE FIG. 17)	AK	RF
-3Q	161T1000-601		BUILDUP ASSY-MLG (LH) (FOR DETAILS SEE FIG. 17)	AL	RF
-3R	161T1000-605		BUILDUP ASSY-MLG (LH) (FOR DETAILS SEE FIG. 17)	AM	RF
-3S	161T1000-613		BUILDUP ASSY-MLG (LH) (FOR DETAILS SEE FIG. 17)	AN	RF
-3T	161T1000-619		DELETED		
-3U	161T1000-621		BUILDUP ASSY-MLG (LH) (FOR DETAILS SEE FIG. 17)	AP	RF
-3V	161T1000-623		BUILDUP ASSY-MLG (LH) (FOR DETAILS SEE FIG. 17)	AQ	RF
-3W	161T1000-625		BUILDUP ASSY-MLG (LH) (FOR DETAILS SEE FIG. 17)	AR	RF
-3X	161T1000-627		DELETED		
-3Y	161T1000-629		BUILDUP ASSY-MLG (LH) (FOR DETAILS SEE FIG. 17)	AS	RF
-3Z	161T1000-631		BUILDUP ASSY-MLG (LH) (FOR DETAILS SEE FIG. 17)	AT	RF
-4A	161T1000-633		BUILDUP ASSY-MLG (LH) (FOR DETAILS SEE FIG. 17)	AU	RF
-4B	161T1000-639		DELETED		
-4C	161T1000-643		BUILDUP ASSY-MLG (LH) (FOR DETAILS SEE FIG. 17)	AV	RF
-4D	161T1000-653		BUILDUP ASSY-MLG (LH) (FOR DETAILS SEE FIG. 17)	AW	RF
-4E	161T1000-655		BUILDUP ASSY-MLG (LH) (FOR DETAILS SEE FIG. 17)	AX	RF

# 32-11-20

 ILLUSTRATED PARTS LIST  
 01.1 Page 1044T  
 Nov 01/05



**BOEING**  
COMPONENT  
MAINTENANCE MANUAL

FIG. & ITEM	PART NO.	AIRLINE PART NUMBER	NOMENCLATURE 1234567	EFF CODE	QTY PER ASSY
01-			DELETED		
-4F	161T1000-657		BUILDUP ASSY-MLG (LH)	AY	RF
-4G	161T1000-659		(FOR DETAILS SEE FIG. 17)		
-4H	161T1000-661		BUILDUP ASSY-MLG (LH)	AZ	RF
			(FOR DETAILS SEE FIG. 17)		
-4J	161T1000-663		BUILDUP ASSY-MLG (LH)	BA	RF
			(FOR DETAILS SEE FIG. 17)		
-4K	161T1000-649		DELETED		
-4L	161T1000-665		BUILDUP ASSY-MLG (LH)	BB	RF
			(FOR DETAILS SEE FIG. 17)		
-4M	161T1000-651		DELETED		
-4N	161T1000-671		BUILDUP ASSY-MLG (LH)	BC	RF
			(FOR DETAILS SEE FIG. 17)		
-4P	161T1000-673		DELETED		
-4Q	161T1000-679		DELETED		
-4R	161T1000-683		BUILDUP ASSY-MLG (LH)	BD	RF
			(FOR DETAILS SEE FIG. 17)		
-4S	161T1000-685		BUILDUP ASSY-MLG (LH)	BQ	RF
			(FOR DETAILS SEE FIG. 17)		
-4T	161T1000-687		BUILDUP ASSY-MLG (LH)	BR	RF
			(FOR DETAILS SEE FIG. 17)		
-4U	161T1000-689		BUILDUP ASSY-MLG (LH)	BS	RF
			(FOR DETAILS SEE FIG. 17)		
-4V	161T1000-691		BUILDUP ASSY-MLG (LH)	BT	RF
			(FOR DETAILS SEE FIG. 17)		
-4W	161T1000-693		BUILDUP ASSY-MLG (LH)	BU	RF
			(FOR DETAILS SEE FIG. 17)		
-4X	161T1000-695		BUILDUP ASSY-MLG (LH)	BV	RF
			(FOR DETAILS SEE FIG. 17)		
-4Y	161T1000-697		BUILDUP ASSY-MLG (LH)	BW	RF
			(FOR DETAILS SEE FIG. 17)		

32-11-20

FIG. & ITEM	PART NO.	AIRLINE PART NUMBER	NOMENCLATURE 1234567	EFF CODE	QTY PER ASSY
01- -4Z	161T1000-699		BUILDUP ASSY-MLG (LH) (FOR DETAILS SEE FIG. 17)	BX	RF
-5	161T1000-140		DELETED		
-5A	161T1000-142		DELETED		
-5B	161T1000-152		DELETED		
-5C	161T1000-154		DELETED		
-5D	161T1000-156		DELETED		
-5E	161T1000-158		DELETED		
-5F	161T1000-162		DELETED		
-5G	161T1000-164		DELETED		
-5H	161T1000-166		DELETED		
-5J	161T1000-178		DELETED		
-5K	161T1000-180		DELETED		
-5L	161T1000-186		DELETED		
-5M	161T1000-190		DELETED		
-5N	161T1000-192		DELETED		
-5P	161T1000-200		DELETED		
-5Q	161T1000-202		DELETED		
-5R	161T1000-208		DELETED		
-5S	161T1000-210		DELETED		
-5T	161T1000-212		DELETED		
-5U	161T1000-214		DELETED		
-5V	161T1000-216		DELETED		
-5W	161T1000-218		DELETED		
-5X	161T1000-220		DELETED		
-5Y	161T1000-250		DELETED		
-5Z	161T1000-252		DELETED		
-6	161T1000-254		DELETED		
-6A	161T1000-256		DELETED		
-6B	161T1000-258		DELETED		
-6C	161T1000-260		DELETED		
-6D	161T1000-264		DELETED		
-6E	161T1000-270		DELETED		
-6F	161T1000-276		DELETED		
-6G	161T1000-278		DELETED		
-6H	161T1000-280		DELETED		
-6J	161T1000-282		DELETED		
-6K	161T1000-284		DELETED		
-6L	161T1000-286		DELETED		
-6M	161T1000-292		DELETED		
-6N	161T1000-294		DELETED		
-6P	161T1000-298		DELETED		
-6Q	161T1000-304		DELETED		
-6R	161T1000-310		DELETED		

# 32-11-20

 ILLUSTRATED PARTS LIST  
 01.1 Page 1044V  
 Nov 01/05



FIG. & ITEM	PART NO.	AIRLINE PART NUMBER	NOMENCLATURE 1234567	EFF CODE	QTY PER ASSY
01-					
-6S	161T1000-312		DELETED		
-6T	161T1000-314		DELETED		
-6U	161T1000-316		DELETED		
-6V	161T1000-318		DELETED		
-6W	161T1000-320		DELETED		
-6X	161T1000-322		DELETED		
-6Y	161T1000-324		DELETED		
-6Z	161T1000-326		DELETED		
-7A	161T1000-328		DELETED		
-7B	161T1000-334		DELETED		
-7C	161T1000-336		DELETED		
-7D	161T1000-338		DELETED		
-7E	161T1000-340		DELETED		
-7F	161T1000-342		DELETED		
-7G	161T1000-348		DELETED		
-7H	161T1000-378		DELETED		
-7J	161T1000-382		DELETED		
-7K	161T1000-386		DELETED		
-7L	161T1000-392		DELETED		
-7M	161T1000-398		DELETED		
-7N	161T1000-400		DELETED		
-7P	161T1000-602		DELETED		
-7Q	161T1000-606		DELETED		
-7R	161T1000-614		DELETED		
-7S	161T1000-620		DELETED		
-7T	161T1000-622		DELETED		
-7U	161T1000-624		DELETED		
-7V	161T1000-626		DELETED		
-7W	161T1000-628		DELETED		
-7X	161T1000-630		DELETED		
-7Y	161T1000-632		DELETED		
-7Z	161T1000-634		DELETED		

**32-11-20**

ILLUSTRATED PARTS LIST  
01.1 Page 1044W  
Nov 01/05

FIG. & ITEM	PART NO.	AIRLINE PART NUMBER	NOMENCLATURE 1234567	EFF CODE	QTY PER ASSY
01-8	NAS6704HU4		DELETED		
-8B	161T1000-640		DELETED		
-8C	161T1000-644		DELETED		
-8D	161T1000-654		DELETED		
-8E	161T1000-656		DELETED		
-8F	161T1000-658		DELETED		
-8G	161T1000-660		DELETED		
-8H	161T1000-662		DELETED		
-8J	161T1000-664		DELETED		
-8K	161T1000-650		DELETED		
-8L	161T1000-666		DELETED		
-8M	161T1000-652		DELETED		
-8N	161T1000-672		DELETED		
-8P	161T1000-674		DELETED		
-8Q	161T1000-680		DELETED		
-8R	161T1000-701		BUILDUP ASSY-MLG (LH) (FOR DETAILS SEE FIG. 17)	BY	RF
-8S	161T1000-703		BUILDUP ASSY-MLG (LH) (FOR DETAILS SEE FIG. 17)	BZ	RF
-8T	161T1000-705		BUILDUP ASSY-MLG (LH) (FOR DETAILS SEE FIG. 17)	BE	RF
-8U	161T1000-707		BUILDUP ASSY-MLG (LH) (FOR DETAILS SEE FIG. 17)	BF	RF
-8V	161T1000-709		BUILDUP ASSY-MLG (LH) (FOR DETAILS SEE FIG. 17)	BG	RF
-8W	161T1000-711		BUILDUP ASSY-MLG (LH) (FOR DETAILS SEE FIG. 17)	BH	RF
-8X	161T1000-713		DELETED		
-8Y	161T1000-715		BUILDUP ASSY-MLG (LH) (FOR DETAILS SEE FIG. 17)	BK	RF
-8Z	161T1000-717		DELETED		

# 32-11-20

 ILLUSTRATED PARTS LIST  
 01.1 Page 1044X  
 Nov 01/05



**BOEING**  
COMPONENT  
MAINTENANCE MANUAL

FIG. & ITEM	PART NO.	AIRLINE PART NUMBER	NOMENCLATURE 1234567	EFF CODE	QTY PER ASSY
01- -9	161T1000-719		BUILDUP ASSY-MLG (LH) (FOR DETAILS SEE FIG. 17)	BM	RF
-9A	161T1000-721		BUILDUP ASSY-MLG (LH) (FOR DETAILS SEE FIG. 17)	BN	RF
-9B	161T1000-723		BUILDUP ASSY-MLG (LH) (FOR DETAILS SEE FIG. 17)	BP	RF
-9C	161T1000-725		DELETED		
-9D	161T1000-757		BUILDUP ASSY-MLG (LH) (FOR DETAILS SEE FIG. 17)	FA	RF
-9E	161T1000-781		BUILDUP ASSY-MLG (LH) (FOR DETAILS SEE FIG. 17)	FB	RF
-9F	161T1000-789		BUILDUP ASSY-MLG (LH) (FOR DETAILS SEE FIG. 17)	FC	RF
-9G	161T1000-797		DELETED		
-9H	161T1000-799		DELETED		
-9J	161T1000-801		DELETED		
-9K	161T1000-803		BUILDUP ASSY-MLG (LH) (FOR DETAILS SEE FIG. 17)	FG	RF
-9L	161T1000-805		DELETED		
-9M	161T1000-807		DELETED		
-9N	161T1000-761		BUILDUP ASSY-MLG (LH) (FOR DETAILS SEE FIG. 17)	FU	RF
-9P	161T1000-765		BUILDUP ASSY-MLG (LH) (FOR DETAILS SEE FIG. 17)	FV	RF
-9Q	161T1000-767		BUILDUP ASSY-MLG (LH) (FOR DETAILS SEE FIG. 17)	FW	RF

**32-11-20**

ILLUSTRATED PARTS LIST  
01.1 Page 1044Y  
Nov 01/05

FIG. & ITEM	PART NO.	AIRLINE PART NUMBER	NOMENCLATURE 1234567	EFF CODE	QTY PER ASSY
01- -10	161T1000-154		BUILDUP ASSY-MLG (RH) (FOR DETAILS SEE FIG. 18)	CA	RF
-10A	161T1000-156		BUILDUP ASSY-MLG (RH) (FOR DETAILS SEE FIG. 18)	CB	RF
-10B	161T1000-158		BUILDUP ASSY-MLG (RH) (FOR DETAILS SEE FIG. 18)	CC	RF
-10C	161T1000-164		BUILDUP ASSY-MLG (RH) (FOR DETAILS SEE FIG. 18)	CD	RF
-10D	161T1000-166		BUILDUP ASSY-MLG (RH) (FOR DETAILS SEE FIG. 18)	CE	RF
-10E	161T1000-178		BUILDUP ASSY-MLG (RH) (FOR DETAILS SEE FIG. 18)	CF	RF
-10F	161T1000-186		BUILDUP ASSY-MLG (RH) (FOR DETAILS SEE FIG. 18)	CG	RF
-10G	161T1000-190		BUILDUP ASSY-MLG (RH) (FOR DETAILS SEE FIG. 18)	CH	RF
10H	NAS6704HU4		DELETED		
-10J	161T1000-208		BUILDUP ASSY-MLG (RH) (FOR DETAILS SEE FIG. 18)	CJ	RF
-10K	161T1000-210		BUILDUP ASSY-MLG (RH) (FOR DETAILS SEE FIG. 18)	CK	RF
-10L	161T1000-212		BUILDUP ASSY-MLG (RH) (FOR DETAILS SEE FIG. 18)	CL	RF

# 32-11-20

 ILLUSTRATED PARTS LIST  
 01.1 Page 1044Z  
 Nov 01/05



**BOEING**  
COMPONENT  
MAINTENANCE MANUAL

FIG. & ITEM	PART NO.	AIRLINE PART NUMBER	NOMENCLATURE 1234567	EFF CODE	QTY PER ASSY
01- -10M	161T1000-214		BUILDUP ASSY-MLG (RH) (FOR DETAILS SEE FIG. 18)	CM	RF
-10N	161T1000-216		BUILDUP ASSY-MLG (RH) (FOR DETAILS SEE FIG. 18)	CN	RF
-10P	161T1000-218		BUILDUP ASSY-MLG (RH) (FOR DETAILS SEE FIG. 18)	CP	RF
-10Q	161T1000-220		BUILDUP ASSY-MLG (RH) (FOR DETAILS SEE FIG. 18)	CQ	RF
-10R	161T1000-250		BUILDUP ASSY-MLG (RH) (FOR DETAILS SEE FIG. 18)	CR	RF
-10S	161T1000-254		BUILDUP ASSY-MLG (RH) (FOR DETAILS SEE FIG. 18)	CS	RF
-10T	161T1000-256		BUILDUP ASSY-MLG (RH) (FOR DETAILS SEE FIG. 18)	CT	RF
-10U	161T1000-292		BUILDUP ASSY-MLG (RH) (FOR DETAILS SEE FIG. 18)	CU	RF
-10V	161T1000-294		BUILDUP ASSY-MLG (RH) (FOR DETAILS SEE FIG. 18)	CV	RF
-10W	161T1000-304		BUILDUP ASSY-MLG (RH) (FOR DETAILS SEE FIG. 18)	CW	RF
-10X	161T1000-328		BUILDUP ASSY-MLG (RH) (FOR DETAILS SEE FIG. 18)	CX	RF
-10Y	161T1000-334		BUILDUP ASSY-MLG (RH) (FOR DETAILS SEE FIG. 18)	CY	RF
-10Z	161T1000-336		BUILDUP ASSY-MLG (RH) (FOR DETAILS SEE FIG. 18)	CZ	RF

**32-11-20**

ILLUSTRATED PARTS LIST  
01.1 Page 1045  
Nov 01/05

FIG. & ITEM	PART NO.	AIRLINE PART NUMBER	NOMENCLATURE 1234567	EFF CODE	QTY PER ASSY
01-11	AN960-416		DELETED		
-11A	161T1000-338		BUILDUP ASSY-MLG (RH) (FOR DETAILS SEE FIG. 18)	DA	RF
-11B	161T1000-342		BUILDUP ASSY-MLG (RH) (FOR DETAILS SEE FIG. 18)	DB	RF
-11C	161T1000-348		BUILDUP ASSY-MLG (RH) (FOR DETAILS SEE FIG. 18)	DC	RF
-11D	161T1000-378		DELETED		
-11E	161T1000-382		BUILDUP ASSY-MLG (RH) (FOR DETAILS SEE FIG. 18)	DD	RF
-11F	161T1000-386		BUILDUP ASSY-MLG (RH) (FOR DETAILS SEE FIG. 18)	DE	RF
-11G	161T1000-392		BUILDUP ASSY-MLG (RH) (FOR DETAILS SEE FIG. 18)	DF	RF
-11H	161T1000-398		BUILDUP ASSY-MLG (RH) (FOR DETAILS SEE FIG. 18)	DG	RF
-11J	161T1000-400		BUILDUP ASSY-MLG (RH) (FOR DETAILS SEE FIG. 18)	DH	RF
-11K	161T1000-602		BUILDUP ASSY-MLG (RH) (FOR DETAILS SEE FIG. 18)	DJ	RF
-11L	161T1000-606		BUILDUP ASSY-MLG (RH) (FOR DETAILS SEE FIG. 18)	DK	RF
-11M	161T1000-614		BUILDUP ASSY-MLG (RH) (FOR DETAILS SEE FIG. 18)	DL	RF
-11N	161T1000-622		BUILDUP ASSY-MLG (RH) (FOR DETAILS SEE FIG. 18)	DM	RF
-11P	161T1000-624		BUILDUP ASSY-MLG (RH) (FOR DETAILS SEE FIG. 18)	DN	RF
-11Q	161T1000-626		BUILDUP ASSY-MLG (RH) (FOR DETAILS SEE FIG. 18)	DP	RF

# 32-11-20

 ILLUSTRATED PARTS LIST  
 01.1 Page 1046  
 Nov 01/05

FIG. & ITEM	PART NO.	AIRLINE PART NUMBER	NOMENCLATURE 1234567	EFF CODE	QTY PER ASSY
01- -11R	161T1000-630		BUILDUP ASSY-MLG (RH) (FOR DETAILS SEE FIG. 18)	DQ	RF
-11S	161T1000-632		BUILDUP ASSY-MLG (RH) (FOR DETAILS SEE FIG. 18)	DR	RF
-11T	161T1000-634		BUILDUP ASSY-MLG (RH) (FOR DETAILS SEE FIG. 18)	DS	RF
-11U	161T1000-640		DELETED		
-11V	161T1000-644		BUILDUP ASSY-MLG (RH) (FOR DETAILS SEE FIG. 18)	DT	RF
-11W	161T1000-654		BUILDUP ASSY-MLG (RH) (FOR DETAILS SEE FIG. 18)	DU	RF
-11X	161T1000-656		BUILDUP ASSY-MLG (RH) (FOR DETAILS SEE FIG. 18)	DV	RF
-11Z	161T1000-660		BUILDUP ASSY-MLG (RH) (FOR DETAILS SEE FIG. 18)	DW	RF
-12	161T1000-662		BUILDUP ASSY-MLG (RH) (FOR DETAILS SEE FIG. 18)	DX	RF
-12A	161T1000-664		BUILDUP ASSY-MLG (RH) (FOR DETAILS SEE FIG. 18)	DY	RF
-12C	161T1000-666		BUILDUP ASSY-MLG (RH) (FOR DETAILS SEE FIG. 18)	DZ	RF
-12D	161T1000-652		DELETED		
-12E	161T1000-672		BUILDUP ASSY-MLG (RH) (FOR DETAILS SEE FIG. 18)	EA	RF
-12F	161T1000-674		DELETED		
-12G	161T1000-684		BUILDUP ASSY-MLG (RH) (FOR DETAILS SEE FIG. 18)	EB	RF
-12H	161T1000-680		DELETED		
-12J	161T1000-686		BUILDUP ASSY-MLG (RH) (FOR DETAILS SEE FIG. 18)	EQ	RF

32-11-20

FIG. & ITEM	PART NO.	AIRLINE PART NUMBER	NOMENCLATURE 1234567	EFF CODE	QTY PER ASSY
01- -12K	161T1000-688		BUILDUP ASSY-MLG (RH) (FOR DETAILS SEE FIG. 18)	ER	RF
-12L	161T1000-690		BUILDUP ASSY-MLG (RH) (FOR DETAILS SEE FIG. 18)	ES	RF
-12M	161T1000-692		BUILDUP ASSY-MLG (RH) (FOR DETAILS SEE FIG. 18)	ET	RF
-12N	161T1000-694		BUILDUP ASSY-MLG (RH) (FOR DETAILS SEE FIG. 18)	EU	RF
-12P	161T1000-696		BUILDUP ASSY-MLG (RH) (FOR DETAILS SEE FIG. 18)	EV	RF
-12Q	161T1000-698		BUILDUP ASSY-MLG (RH) (FOR DETAILS SEE FIG. 18)	EW	RF
-12R	161T1000-700		BUILDUP ASSY-MLG (RH) (FOR DETAILS SEE FIG. 18)	EX	RF
-12S	161T1000-702		BUILDUP ASSY-MLG (RH) (FOR DETAILS SEE FIG. 18)	EY	RF
-12T	161T1000-704		BUILDUP ASSY-MLG (RH) (FOR DETAILS SEE FIG. 18)	EZ	RF
-12U	161T1000-706		BUILDUP ASSY-MLG (RH) (FOR DETAILS SEE FIG. 18)	EC	RF
-12V	161T1000-708		BUILDUP ASSY-MLG (RH) (FOR DETAILS SEE FIG. 18)	ED	RF
-12W	161T1000-710		BUILDUP ASSY-MLG (RH) (FOR DETAILS SEE FIG. 18)	EE	RF
-12X	161T1000-712		BUILDUP ASSY-MLG (RH) (FOR DETAILS SEE FIG. 18)	EF	RF
-12Y	161T1000-714		DELETED		
-12Z	161T1000-716		BUILDUP ASSY-MLG (RH) (FOR DETAILS SEE FIG. 18)	EH	RF
-13	161T1000-718		DELETED		

# 32-11-20

 ILLUSTRATED PARTS LIST  
 01.1 Page 1046B  
 Nov 01/05



 **BOEING**  
COMPONENT  
MAINTENANCE MANUAL

FIG. & ITEM	PART NO.	AIRLINE PART NUMBER	NOMENCLATURE 1234567	EFF CODE	QTY PER ASSY
01- -13A	161T1000-720		BUILDUP ASSY-MLG (RH) (FOR DETAILS SEE FIG. 18)	EK	RF
-13B	161T1000-722		BUILDUP ASSY-MLG (RH) (FOR DETAILS SEE FIG. 18)	EL	RF
-13C	161T1000-724		BUILDUP ASSY-MLG (RH) (FOR DETAILS SEE FIG. 18)	EM	RF
-13D	161T1000-726		DELETED		
-13E	161T1000-758		BUILDUP ASSY-MLG (RH) (FOR DETAILS SEE FIG. 18)	FH	RF
-13F	161T1000-782		BUILDUP ASSY-MLG (RH) (FOR DETAILS SEE FIG. 18)	FJ	RF
-13G	161T1000-790		BUILDUP ASSY-MLG (RH) (FOR DETAILS SEE FIG. 18)	FK	RF
-13H	161T1000-798		DELETED		
-13J	161T1000-800		DELETED		
-13K	161T1000-802		DELETED		
-13L	161T1000-804		BUILDUP ASSY-MLG (RH) (FOR DETAILS SEE FIG. 18)	FP	RF
-13M	161T1000-806		DELETED		
-13N	161T1000-808		DELETED		
-13P	161T1000-762		BUILDUP ASSY-MLG (RH) (FOR DETAILS SEE FIG. 18)	FX	RF
-13Q	161T1000-766		BUILDUP ASSY-MLG (RH) (FOR DETAILS SEE FIG. 18)	FY	RF
-13R	161T1000-768		BUILDUP ASSY-MLG (RH) (FOR DETAILS SEE FIG. 18)	FZ	RF
14	161T1306-2		DELETED		
-14A	161T1000-783		BUILDUP ASSY-MLG (LH) (FOR DETAILS SEE FIG. 17)	GM	RF
-14B	161T1000-785		BUILDUP ASSY-MLG (LH) (FOR DETAILS SEE FIG. 17)	GN	RF
-14C	161T1000-819		DELETED		
-14D	161T1000-821		DELETED		

32-11-20

ILLUSTRATED PARTS LIST  
01.1 Page 1046C  
Nov 01/05

FIG. & ITEM	PART NO.	AIRLINE PART NUMBER	NOMENCLATURE 1234567	EFF CODE	QTY PER ASSY
01-					
-14E	161T1000-823		DELETED		
-14F	161T1000-831		BUILDUP ASSY-MLG (LH) (FOR DETAILS SEE FIG. 17)	GS	RF
-14G	161T1000-825		BUILDUP ASSY-MLG (LH) (FOR DETAILS SEE FIG. 17)	GT	RF
-14H	161T1000-827		BUILDUP ASSY-MLG (LH) (FOR DETAILS SEE FIG. 17)	GU	RF
-14J	161T1000-829		DELETED		
-14K	161T1000-835		DELETED		
-14L	161T1000-837		BUILDUP ASSY-MLG (LH) (FOR DETAILS SEE FIG. 17)	GX	RF
-14M	161T1000-839		DELETED		
-14N	161T1000-841		BUILDUP ASSY-MLG (LH) (FOR DETAILS SEE FIG. 17)	GZ	RF
-14P	161T1000-843		BUILDUP ASSY-MLG (LH) (FOR DETAILS SEE FIG. 17)	HA	RF
-14Q	161T1000-845		DELETED		
-14R	161T1000-847		DELETED		
-14S	161T1000-849		BUILDUP ASSY-MLG (LH) (FOR DETAILS SEE FIG. 17)	HP	RF
-14T	161T1000-851		BUILDUP ASSY-MLG (LH) (FOR DETAILS SEE FIG. 17)	HQ	RF
-14U	161T1000-853		DELETED		
-14V	161T1000-855		DELETED		
-14W	161T1000-857		BUILDUP ASSY-MLG (LH) (FOR DETAILS SEE FIG. 17)	BL	RF
-14X	161T1000-859		BUILDUP ASSY-MLG (LH) (FOR DETAILS SEE FIG. 17)	EG	RF
R -14Y	161T1000-861		BUILDUP ASSY-MLG (LH) (FOR DETAILS SEE FIG. 17)	HS	RF
R -14Z	161T1000-863		BUILDUP ASSY-MLG (LH) (FOR DETAILS SEE FIG. 17)	HT	RF

# 32-11-20

 ILLUSTRATED PARTS LIST  
 01.1 Page 1046D  
 Nov 01/05

 **BOEING**  
COMPONENT  
MAINTENANCE MANUAL

FIG. & ITEM	PART NO.	AIRLINE PART NUMBER	NOMENCLATURE 1234567	EFF CODE	QTY PER ASSY
R 01-15	161T1000-865		BUILDUP ASSY-MLG (LH) (FOR DETAILS SEE FIG. 17)	HU	RF
R -15A	161T1000-727		BUILDUP ASSY-MLG (LH) (FOR DETAILS SEE FIG. 17)	HY	RF
R -15B	161T1000-729		BUILDUP ASSY-MLG (LH) (FOR DETAILS SEE FIG. 17)	HZ	RF
R -15C	161T1000-731		BUILDUP ASSY-MLG (LH) (FOR DETAILS SEE FIG. 17)	JA	RF
R -15D	161T1000-733		BUILDUP ASSY-MLG (LH) (FOR DETAILS SEE FIG. 17)	JB	RF
R -15E	161T1000-735		BUILDUP ASSY-MLG (LH) (FOR DETAILS SEE FIG. 17)	JC	RF
R -15F	161T1000-737		BUILDUP ASSY-MLG (LH) (FOR DETAILS SEE FIG. 17)	JD	RF
R -15G	161T1000-739		BUILDUP ASSY-MLG (LH) (FOR DETAILS SEE FIG. 17)	JE	RF
R -15H	161T1000-741		BUILDUP ASSY-MLG (LH) (FOR DETAILS SEE FIG. 17)	JF	RF
R -15J	161T1000-743		BUILDUP ASSY-MLG (LH) (FOR DETAILS SEE FIG. 17)	JG	RF
R -15K	161T1000-745		BUILDUP ASSY-MLG (LH) (FOR DETAILS SEE FIG. 17)	JH	RF
R -15L	161T1000-747		BUILDUP ASSY-MLG (LH) (FOR DETAILS SEE FIG. 17)	JJ	RF
17	161T1305-2		DELETED		
-17A	161T1000-820		DELETED		
-17B	161T1000-822		DELETED		
-17C	161T1000-824		DELETED		
-17D	161T1000-832		BUILDUP ASSY-MLG (RH) (FOR DETAILS SEE FIG. 18)	GF	RF

**32-11-20**

ILLUSTRATED PARTS LIST  
01.1 Page 1046E  
Nov 01/05

FIG. & ITEM	PART NO.	AIRLINE PART NUMBER	NOMENCLATURE 1234567	EFF CODE	QTY PER ASSY
01- -17E	161T1000-826		BUILDUP ASSY-MLG (RH) (FOR DETAILS SEE FIG. 18)	GH	RF
-17F	161T1000-828		BUILDUP ASSY-MLG (RH) (FOR DETAILS SEE FIG. 18)	GJ	RF
-17G	161T1000-830		DELETED		
-17H	161T1000-784		BUILDUP ASSY-MLG (RH) (FOR DETAILS SEE FIG. 18)	GL	RF
-17J	161T1000-786		BUILDUP ASSY-MLG (RH) (FOR DETAILS SEE FIG. 18)	GG	RF
-17K	161T1000-836		DELETED		
-17L	161T1000-838		BUILDUP ASSY-MLG (RH) (FOR DETAILS SEE FIG. 18)	HD	RF
-17M	161T1000-840		DELETED		
-17N	161T1000-842		BUILDUP ASSY-MLG (RH) (FOR DETAILS SEE FIG. 18)	HF	RF
-17P	161T1000-844		BUILDUP ASSY-MLG (RH) (FOR DETAILS SEE FIG. 18)	HG	RF
-17Q	161T1000-846		DELETED		
-17R	161T1000-848		DELETED		
-17S	161T1000-850		BUILDUP ASSY-MLG (RH) (FOR DETAILS SEE FIG. 18)	HK	RF
-17T	161T1000-852		BUILDUP ASSY-MLG (RH) (FOR DETAILS SEE FIG. 18)	HL	RF
-17U	161T1000-854		DELETED		
-17V	161T1000-856		DELETED		
-17W	161T1000-858		BUILDUP ASSY-MLG (RH) (FOR DETAILS SEE FIG. 18)	EN	RF
-17X	161T1000-860		BUILDUP ASSY-MLG (RH) (FOR DETAILS SEE FIG. 18)	EP	RF
R -17Y	161T1000-862		BUILDUP ASSY-MLG (RH) (FOR DETAILS SEE FIG. 18)	HV	RF

# 32-11-20

 ILLUSTRATED PARTS LIST  
 01.1 Page 1046F  
 Nov 01/05

 **BOEING**  
COMPONENT  
MAINTENANCE MANUAL

FIG. & ITEM	PART NO.	AIRLINE PART NUMBER	NOMENCLATURE 1234567	EFF CODE	QTY PER ASSY
R 01-17Z	161T1000-864		BUILDUP ASSY-MLG (RH) (FOR DETAILS SEE FIG. 18)	HW	RF
R -18	161T1000-865		BUILDUP ASSY-MLG (RH) (FOR DETAILS SEE FIG. 18)	HX	RF
R -18A	161T1000-728		BUILDUP ASSY-MLG (RH) (FOR DETAILS SEE FIG. 18)	JK	RF
R -18B	161T1000-730		BUILDUP ASSY-MLG (RH) (FOR DETAILS SEE FIG. 18)	JL	RF
R -18C	161T1000-732		BUILDUP ASSY-MLG (RH) (FOR DETAILS SEE FIG. 18)	JM	RF
R -18D	161T1000-734		BUILDUP ASSY-MLG (RH) (FOR DETAILS SEE FIG. 18)	JN	RF
R -18E	161T1000-736		BUILDUP ASSY-MLG (RH) (FOR DETAILS SEE FIG. 18)	JP	RF
R -18F	161T1000-738		BUILDUP ASSY-MLG (RH) (FOR DETAILS SEE FIG. 18)	JQ	RF
R -18G	161T1000-740		BUILDUP ASSY-MLG (RH) (FOR DETAILS SEE FIG. 18)	JR	RF
R -18H	161T1000-742		BUILDUP ASSY-MLG (RH) (FOR DETAILS SEE FIG. 18)	JS	RF
R -18J	161T1000-744		BUILDUP ASSY-MLG (RH) (FOR DETAILS SEE FIG. 18)	JT	RF
R -18K	161T1000-746		BUILDUP ASSY-MLG (RH) (FOR DETAILS SEE FIG. 18)	JU	RF
R -18L	161T1000-748		BUILDUP ASSY-MLG (RH) (FOR DETAILS SEE FIG. 18)	JV	RF

**32-11-20**

ILLUSTRATED PARTS LIST  
01.1 Page 1046G  
Nov 01/05

FIG. & ITEM	PART NO.	AIRLINE PART NUMBER	NOMENCLATURE 1234567	EFF CODE	QTY PER ASSY
01-					
20	161T1301-1		DELETED		
21	NAS6704HU4		DELETED		
22	AN960-416		DELETED		
23	161T1302-1		DELETED		
23A	161T1306-2		DELETED		
24	161T1305-2		DELETED		
25	161T1301-2		DELETED		
25A	161T1301-1		DELETED		
26A	161T1302-1		DELETED		
27A	161T1301-2		DELETED		
28	161T1303-5		DELETED		
28A	161T1303-7		DELETED		
31	1992B		DELETED		
34	161T1304-3		DELETED		
37	161T1303-6		DELETED		
-37A	161T1303-8		DELETED		
40	161T1174-1		DELETED		
43	161T1174-2		DELETED		
			ATTACHING PARTS		
46	NAS6712-43		DELETED		
49	NAS6712-47		DELETED		
52	AN960C1216		DELETED		
55	BMN4122AD3-12		DELETED		
58	NAS6714-43		DELETED		
61	NAS6714-51		DELETED		
64	AN960C1416		DELETED		
67	BMN4122AD3-14		DELETED		
70	161T6041-1		DELETED		
73	161T1210-23		DELETED		
73A	161T1210-61		DELETED		
76	161T1210-24		DELETED		

# 32-11-20

 ILLUSTRATED PARTS LIST  
 01.1 Page 1046H  
 Nov 01/05

FIG. & ITEM	PART NO.	AIRLINE PART NUMBER	NOMENCLATURE 1234567	EFF CODE	QTY PER ASSY
01-					
76A	161T1210-62		DELETED		
79	161T1174-3		DELETED		
82	161T1174-4		DELETED		
85	113T8222-1		DELETED		
-88	113T8222-2		DELETED		
91	BACB28AM09B020A		DELETED		
93	BACB28AP06P020		DELETED		
96	113T8222-3		DELETED		
-99	113T8222-4		DELETED		
102	161T1307-5		DELETED		
105	BACB28X6M025		DELETED		
108	BACB28X9M025		DELETED		
111	161T1307-6		DELETED		
113	AN960C1616		DELETED		
-113A	AN960-1616		DELETED		
116	AN960C1616L		DELETED		
-116L	AN960-1616L		DELETED		
119	RMTE9868-16		DELETED		
-119A	56287M1216		DELETED		
-119B	56287M1612		DELETED		
122	287T6111-5		DELETED		
-125	287T6111-6		DELETED		
128	287T6111-7		DELETED		
-131	287T6111-8		DELETED		
134	MS24665-359		DELETED		
137	MS24665-360		DELETED		
140	161T1172-1		DELETED		
-140A	161T1172-5		DELETED		
-140B	161T1172-1		DELETED		
-140C	161T1172-5		DELETED		
-143	161T1172-2		DELETED		
-143A	161T1172-5		DELETED		
-143B	161T1172-6		DELETED		
-143C	161T1172-2		DELETED		
-143D	161T1172-6		DELETED		

32-11-20

FIG. & ITEM	PART NO.	AIRLINE PART NUMBER	NOMENCLATURE 1234567	EFF CODE	QTY PER ASSY
01-					
146	NAS6714D54		DELETED		
149	AN960C1416		DELETED		
152	BMN4122AD3-14		DELETED		
155	161T1307-4		DELETED		
158	AN960C1616		DELETED		
-158A	AN960-1616		DELETED		
161	AN960C1616L		DELETED		
-161A	AN960-1616L		DELETED		
164	RMTE9868-16		DELETED		
-164A	56287M1216		DELETED		
-164B	56287M1612		DELETED		
167	1728B		DELETED		
170	161T1210-5		DELETED		
173	161T1210-18		DELETED		
176	161T1210-29		DELETED		
179	161T1210-30		DELETED		
182	161T1173-3		DELETED		
182A	161T1172-3		DELETED		
-182B	161T1172-7		DELETED		
-185	161T1172-4		DELETED		
-185A	161T1172-7		DELETED		
-185B	161T1172-8		DELETED		
188	MS24665-359		DELETED		
191	MS24665-360		DELETED		
194	161T1173-1		DELETED		
-194A	161T1173-5		DELETED		
-194B	161T1173-1		DELETED		
-194C	161T1173-5		DELETED		
-197	161T1173-2		DELETED		
-197A	161T1173-5		DELETED		
-197B	161T1173-6		DELETED		
-197C	161T1173-2		DELETED		
-197D	161T1173-6		DELETED		
200	NAS6714-55		DELETED		
200A	NAS6714D54		DELETED		
203	AN960C1416		DELETED		
206	BMN4122AD3-14		DELETED		
209	1728B		DELETED		
212	161T1210-5		DELETED		
215	161T1210-18		DELETED		
218	161T1210-44		DELETED		
221	161T1210-45		DELETED		
224	161T1173-3		DELETED		
-224A	161T1173-7		DELETED		
-227	161T1173-4		DELETED		

# 32-11-20

 ILLUSTRATED PARTS LIST  
 01.1 Page 1046J  
 Nov 01/05



FIG. & ITEM	PART NO.	AIRLINE PART NUMBER	NOMENCLATURE 1234567	EFF CODE	QTY PER ASSY
01-					
-227A	161T1173-7		DELETED		
-227B	161T1173-8		DELETED		
230	161T2008-1		DELETED		
-230A	161T2008-3		DELETED		
-230B	161T2008-5		DELETED		
233	NAS6604-12		DELETED		
236	AN960-416		DELETED		
239	H10-4BAC		DELETED		
302	161T2015-1		DELETED		
305	65B05457-2		DELETED		
308	1992B		DELETED		
311	161T6040-11		DELETED		
314	161T2049-1		DELETED		
317	161T2008-2		DELETED		
-317A	161T2008-4		DELETED		
-317B	161T2008-6		DELETED		
320	161T6005-1		DELETED		
-320A	161T6005-3		DELETED		
-320B	161T6005-3		DELETED		
323	NAS6604-17		DELETED		
326	AN960-416		DELETED		
329	H10-4BAC		DELETED		
332	161T6019-1		DELETED		
335	161T6020-1		DELETED		
338	1728B		DELETED		
341	161T6038-1		DELETED		
344	161T6044-1		DELETED		
347	161T6005-2		DELETED		
-347A	161T6005-4		DELETED		
350	MS24665-359		DELETED		

**32-11-20**

ILLUSTRATED PARTS LIST  
01.1 Page 1046K  
Nov 01/05

FIG. & ITEM	PART NO.	AIRLINE PART NUMBER	NOMENCLATURE 1234567	EFF CODE	QTY PER ASSY
01-					
353	161T1183-1		DELETED		
356	1728B		DELETED		
359	161T1183-2		DELETED		
362	162T2015-5		DELETED		
365	BMN4122AD3-14		DELETED		
368	NH1005202-10		DELETED		
-368A	NH1005380-10		DELETED		
-368B	VC1297		DELETED		
-368C	VC1296-875		DELETED		
371	161T1000-84		DELETED		
373	161T1211-10		DELETED		
-373A	161T1211-13		DELETED		
376	NAS6603H2		DELETED		
379	161T1207-1		DELETED		
382	161T1211-12		DELETED		
-382A	161T1211-11		DELETED		
-382B	161T1211-14		DELETED		
-382C	161T1211-15		DELETED		
385	NAS1352C08H10		DELETED		
388	161T1223-1		DELETED		
401	78529		DELETED		
-401A	84490-1		DELETED		
404	161T1220-1		DELETED		
-404A	161T1220-2		DELETED		
407	161T1000-83		DELETED		
408	161T1000-82		DELETED		
410	NAS6603H2		DELETED		
413	161T1222-1		DELETED		
416	161T1221-1		DELETED		
-416A	161T1221-3		DELETED		

# 32-11-20

 ILLUSTRATED PARTS LIST  
 01.1 Page 1046L  
 Nov 01/05

FIG. & ITEM	PART NO.	AIRLINE PART NUMBER	NOMENCLATURE 1234567	EFF CODE	QTY PER ASSY
01-					
-416B	161T1221-3		DELETED		
419	140-025-1		DELETED		
-419A	140-025-2		DELETED		
420	77-395		DELETED		
422	NAS6604-10		DELETED		
425	AN960-416		DELETED		
428	H10-4BAC		DELETED		
431	161T1206-9		DELETED		
-431A	161T1206-7		DELETED		
434	161T1209-1		DELETED		
435	161T1204-1		DELETED		
436	161T1203-2		DELETED		
437	161T1000-67		DELETED		
437A	161T1000-68		DELETED		
-437B	161T1000-69		DELETED		
-437C	161T1000-71		DELETED		
437D	161T1000-73		DELETED		
-437E	161T1000-55		DELETED		
-437F	161T1000-74		DELETED		
-437G	161T1000-75		DELETED		
-437H	161T1000-76		DELETED		
-437J	161T1000-77		DELETED		
-437K	161T1000-80		DELETED		
-437L	161T1000-85		DELETED		
440	161T1204-1		DELETED		
443	161T1203-2		DELETED		
446	10-44		DELETED		
-446A	10-57		DELETED		
449	032-863		DELETED		
-449A	039-859		DELETED		
449B	032-863-1		DELETED		
-449C	032-863		DELETED		
-449D	S160T201-3621		DELETED		
-449E	468K22-1		DELETED		
-449F	032-863		DELETED		
-449G	APS01410B		DELETED		
-449H	APS01410B		DELETED		
-449J	APS01410B		DELETED		
-449K	039-807		DELETED		
-449L	APS06005		DELETED		
-449M	APS06007		DELETED		

**32-11-20**

FIG. & ITEM	PART NO.	AIRLINE PART NUMBER	NOMENCLATURE 1234567	EFF CODE	QTY PER ASSY
01-					
452	S160T300-21		DELETED		
452A	2608811-3		DELETED		
-452B	S160T300-23		DELETED		
-452C	2606741-1		DELETED		
-452D	2608811-5		DELETED		
455	2606169-14		DELETED		
458	2606950		DELETED		
-458A	2608765		DELETED		
461	161T1202-1		DELETED		
-461A	161T1202-2		DELETED		
464	161T1201-1		DELETED		
464A	161T1201-3		DELETED		
464B	161T1201-4		DELETED		
465	161T1019-1		DELETED		
-465A	161T1019-2		DELETED		
467	MS24665-287		DELETED		
470	NAS6606D68		DELETED		
-470A	NAS6706D68		DELETED		
-470B	BACB30UU6K68D		DELETED		
-470C	BACB30LT6DK68		DELETED		
473	AN960-616		DELETED		
474	161T1021-1		DELETED		
475	161T1020-1		DELETED		
475J	NAS1802-3D10		DELETED		
475K	NAS1801-3D10		DELETED		
476	H10-6BAC		DELETED		
-476A	MS14145L6		DELETED		
-476B	H52732-6CD		DELETED		
477	BACB30LJ5D41		DELETED		

# 32-11-20

 ILLUSTRATED PARTS LIST  
 01.1 Page 1046N  
 Nov 01/05

FIG. & ITEM	PART NO.	AIRLINE PART NUMBER	NOMENCLATURE 1234567	EFF CODE	QTY PER ASSY
01-					
477A	NAS6705D41		DELETED		
477E	BACW10DS5TS		DELETED		
-477F	BACW10BN5SC		DELETED		
477J	NAS1149F0563P		DELETED		
477N	MS14145L5		DELETED		
477T	MS24665-155		DELETED		
478	161T1025-1		DELETED		
478E	161T1219-1		DELETED		
478F	161T1219-2		DELETED		
478J	161T1024-1		DELETED		
478K	161T1024-3		DELETED		
479	161T1212-1		DELETED		
482	161T1201-2		DELETED		
485	66-18544-1		DELETED		
488	MS35333-42		DELETED		
501	AN960-616		DELETED		
504	52NE066		DELETED		
-504A	MS51922-17		DELETED		
-504B	MS21044-616		DELETED		
507	161T1310-1		DELETED		
510	NAS6604-22		DELETED		
513	AN960-416		DELETED		
516	H10-4BAC		DELETED		
519	BACR15FT5KE		DELETED		
522	161T1311-2		DELETED		
525	BACR15FT5KE		DELETED		
528	161T1311-7		DELETED		
531	161T1311-8		DELETED		
534	161T1311-1		DELETED		
537	S160T300-11		DELETED		
537A	2607092-1		DELETED		

32-11-20

FIG. & ITEM	PART NO.	AIRLINE PART NUMBER	NOMENCLATURE 1234567	EFF CODE	QTY PER ASSY
01-					
-537B	2608812-2		DELETED		
-537C	2607092-3		DELETED		
-537D	S160T300-12		DELETED		
-537E	S160T300-12		DELETED		
-537F	2608812-2		DELETED		
-537G	2608812-4		DELETED		
-537H	2608812-4		DELETED		
-538	165T0000-1		DELETED		
-538H	161T1000-5021		DELETED		
-538J	161T1000-5022		DELETED		
-538K	161T1000-5023		DELETED		
-538L	161T1000-5024		DELETED		
-538M	161T1000-5025		DELETED		
-538N	161T1000-5026		DELETED		
-538P	161T1000-5031		DELETED		
-538Q	161T1000-5032		DELETED		
-538R	161T1000-5033		DELETED		
-538S	161T1000-5034		DELETED		
-538T	161T1000-5035		DELETED		
-538U	161T1000-5036		DELETED		
-538V	161T1000-5037		DELETED		
-538W	161T1000-5038		DELETED		
-539	161T1000-5001		DELETED		
-539A	161T1000-5002		DELETED		
-539B	161T1000-5005		DELETED		
-539C	161T1000-5006		DELETED		
-539D	161T1000-5007		DELETED		
-539E	161T1000-5008		DELETED		
-539F	161T1000-5009		DELETED		
-539G	161T1000-5010		DELETED		
-539H	161T1000-5017		DELETED		
-539J	161T1000-5018		DELETED		
-539K	161T1000-5019		DELETED		
-539L	161T1000-5020		DELETED		
-539S	165T0000-1		DELETED		
540	NAS6604-10		DELETED		
543	AN960C416L		DELETED		
546	H10-4BAC		DELETED		
549	161T1311-13		DELETED		
552	161T1230-5		DELETED		
555	AN960C416L		DELETED		
557	MBC68941-820		DELETED		
558	MBB69260-1170		DELETED		
561	7355		DELETED		
-561A	8412		DELETED		

# 32-11-20

 ILLUSTRATED PARTS LIST  
 01.1 Page 1046P  
 Nov 01/05

FIG. & ITEM	PART NO.	AIRLINE PART NUMBER	NOMENCLATURE 1234567	EFF CODE	QTY PER ASSY
01-					
-564	161T1100-61		DELETED		
-564A	161T1100-85		DELETED		
-564B	161T1100-62		DELETED		
-564C	161T1100-86		DELETED		
-564D	161T1100-69		DELETED		
-564E	161T1100-70		DELETED		
-564F	161T1100-91		DELETED		
-564G	161T1100-92		DELETED		
-564H	161T1100-93		DELETED		
-564J	161T1100-94		DELETED		
-564K	161T1100-97		DELETED		
-564L	161T1100-99		DELETED		
-564M	161T1100-101		DELETED		
-564N	161T1100-105		DELETED		
-564P	161T1100-109		DELETED		
-564Q	161T1100-139		DELETED		
-564R	161T1100-141		DELETED		
-564S	161T1100-143		DELETED		
-564T	161T1100-147		DELETED		
-564U	161T1100-149		DELETED		
-564V	161T1100-159		DELETED		
-564W	161T1100-163		DELETED		
-564X	161T1100-177		DELETED		
-564Y	161T1100-179		DELETED		
-564Z	161T1100-181		DELETED		
-565	161T1100-183		DELETED		
-565A	161T1100-187		DELETED		
-565B	161T1100-189		DELETED		
-565C	161T1100-191		DELETED		
-565D	161T1100-139		DELETED		

32-11-20

FIG. & ITEM	PART NO.	AIRLINE PART NUMBER	NOMENCLATURE 1234567	EFF CODE	QTY PER ASSY
01-					
-565E	161T1100-141		DELETED		
-565F	161T1100-147		DELETED		
-565G	161T1100-205		DELETED		
-565H	161T1100-207		DELETED		
-565J	161T1100-223		DELETED		
-565K	161T1100-227		DELETED		
-565L	161T1100-229		DELETED		
-565M	161T1100-229		DELETED		
-565N	161T1100-237		DELETED		
-565P	161T1100-231		DELETED		
-565Q	161T1100-233		DELETED		
-565R	161T1100-235		DELETED		
-565S	161T1100-243		DELETED		
-565T	161T1100-251		DELETED		
-565U	161T1100-265		DELETED		
-565V	161T1100-267		DELETED		
-565W	161T1100-271		DELETED		
-565X	161T1100-273		DELETED		
-565Y	161T1100-283		DELETED		
-566	161T1100-98		DELETED		
-566A	161T1100-100		DELETED		
-566B	161T1100-102		DELETED		
-566C	161T1100-106		DELETED		
-566D	161T1100-110		DELETED		
-566E	161T1100-111		DELETED		
-566F	161T1100-113		DELETED		
-566G	161T1100-121		DELETED		
-566H	161T1100-123		DELETED		
-566J	161T1100-124		DELETED		

# 32-11-20

 ILLUSTRATED PARTS LIST  
 01.1 Page 1046R  
 Nov 01/05



FIG. & ITEM	PART NO.	AIRLINE PART NUMBER	NOMENCLATURE 1234567	EFF CODE	QTY PER ASSY
01-					
-566K	161T1100-125		DELETED		
-566L	161T1100-126		DELETED		
-566M	161T1100-129		DELETED		
-566N	161T1100-130		DELETED		
-566P	161T1100-131		DELETED		
-566Q	161T1100-132		DELETED		
-566R	161T1100-140		DELETED		
-566S	161T1100-142		DELETED		
-566T	161T1100-144		DELETED		
-566U	161T1100-148		DELETED		
-566V	161T1100-150		DELETED		
-566W	161T1100-160		DELETED		
-566X	161T1100-164		DELETED		
-566Y	161T1100-178		DELETED		
-566Z	161T1100-180		DELETED		
567	272T6100-1		DELETED		
-567A	161T1100-182		DELETED		
-567B	161T1100-184		DELETED		
-567C	161T1100-188		DELETED		
-567D	161T1100-186		DELETED		
-567E	161T1100-190		DELETED		
-567F	161T1100-192		DELETED		
-567G	161T1100-140		DELETED		
-567H	161T1100-142		DELETED		
-567J	161T1100-148		DELETED		
-567K	161T1100-206		DELETED		
-567L	161T1100-208		DELETED		
-567M	161T1100-122		DELETED		
-567N	161T1100-224		DELETED		
-567P	161T1100-228		DELETED		
-567Q	161T1100-230		DELETED		
-567R	161T1100-230		DELETED		
-567S	161T1100-238		DELETED		
-567T	161T1100-232		DELETED		
-567U	161T1100-234		DELETED		

**32-11-20**

ILLUSTRATED PARTS LIST  
01.1 Page 1046S  
Nov 01/05

FIG. & ITEM	PART NO.	AIRLINE PART NUMBER	NOMENCLATURE 1234567	EFF CODE	QTY PER ASSY
01-					
-567V	161T1100-236		DELETED		
-567W	161T1100-244		DELETED		
-567X	161T1100-252		DELETED		
-567Y	161T1100-284		DELETED		
569	272T6100-1		DELETED		
-570	272T6100-2		DELETED		
573	287T0000-5		DELETED		
-576	287T0000-6		DELETED		
579	284T6100-3		DELETED		
-582	284T6100-4		DELETED		
585	NAS6604-4		DELETED		
588	AN960PD416		DELETED		
591	161T1310-2		DELETED		
594	BACR15BA3AD		DELETED		
597	T8124S4S		DELETED		
600	M14663-048		DELETED		
600A	MT65S428SK1		DELETED		
603	287T6111-17		DELETED		
606	BACR15FT5KE		DELETED		
609	BACR15BA3AD		DELETED		
612	T8097S3K		DELETED		
615	287T6111-19		DELETED		
618	161T1310-5		DELETED		
621	BACR15FT5KE		DELETED		
624	161T1311-12		DELETED		
627	161T1311-10		DELETED		
630	161T1310-3		DELETED		
-630A	161T1310-7		DELETED		
-633	161T1310-4		DELETED		
-633A	161T1310-8		DELETED		

# 32-11-20

 ILLUSTRATED PARTS LIST  
 01.1 Page 1046T  
 Nov 01/05

FIG. & ITEM	PART NO.	AIRLINE PART NUMBER	NOMENCLATURE 1234567	EFF CODE	QTY PER ASSY
01-					
636	BACR15BA3AD		DELETED		
639	M14663-048		DELETED		
639A	MT65S428SK1		DELETED		
642	287T6111-17		DELETED		
645	BACR15FT5KE		DELETED		
648	BACR15BA3AD		DELETED		
651	T8097S3K		DELETED		
654	287T6111-19		DELETED		
657	161T1310-5		DELETED		
660	BACR15FT5KE		DELETED		
663	161T1311-11		DELETED		
-663A	161T1311-14		DELETED		
666	161T1311-12		DELETED		
669	161T1311-10		DELETED		
672	MS24665-134		DELETED		
675	NAS6603D26		DELETED		
678	AN960-10L		DELETED		
681	LCN12-1032		DELETED		
-681A	58703-1032-19		DELETED		
684	161T1180-3		DELETED		
687	161T1181-1		DELETED		
690	69B14958-2		DELETED		
693	161T1017-1		DELETED		
696	161T1017-2		DELETED		
699	161T1017-1		DELETED		
-699A	161T1017-3		DELETED		
699B	161T1017-2		DELETED		
-699C	161T1017-4		DELETED		
-699D	161T1017-3		DELETED		
-699E	161T1017-7		DELETED		

**32-11-20**

FIG. & ITEM	PART NO.	AIRLINE PART NUMBER	NOMENCLATURE 1234567	EFF CODE	QTY PER ASSY
01-					
700	161T1017-2		DELETED		
-700A	161T1017-4		DELETED		
-700B	161T1017-4		DELETED		
-700C	161T1017-8		DELETED		
702	BACC63BP14S7PNL		DELETED		
705	S287T001-228		DELETED		
708	MBC68941-034S		DELETED		
711	161T1015-1		DELETED		
714	161T1016-1		DELETED		
717	161T1017-5		DELETED		
-720	161T1017-6		DELETED		
-720A	161T1017-9		DELETED		
723	EA06E01-00180		DELETED		
726	EK06D061-00500		DELETED		
726A	EA06D01-00360		DELETED		
729	SK06-250TM350		DELETED		
732	161T1136-7		DELETED		
-735	161T1136-5		DELETED		
-735A	161T1136-11		DELETED		
-735B	161T1136-9		DELETED		
738	1728B		DELETED		
742	161T1135-4		DELETED		
745	161T1135-3		DELETED		
748	161T1135-2		DELETED		
751	161T1136-8		DELETED		
-754	161T1136-6		DELETED		
-754A	161T1136-12		DELETED		
-754B	161T1136-10		DELETED		
760	161T1136-7		DELETED		
-760A	161T1136-11		DELETED		
763	1728B		DELETED		
766	161T1135-4		DELETED		
769	161T1135-3		DELETED		
772	161T1135-2		DELETED		
775	161T1136-8		DELETED		
-775A	161T1136-6		DELETED		
-775B	161T1136-12		DELETED		
777	NAS6604H4		DELETED		
779	AN96OPD416		DELETED		
781	161T1246-1		DELETED		
-781A	161T1246-3		DELETED		
783	161T1207-1		DELETED		
785	MS21209F4-15		DELETED		
787	161T1246-2		DELETED		
-787A	161T1246-4		DELETED		

# 32-11-20

 ILLUSTRATED PARTS LIST  
 01.1 Page 1046V  
 Nov 01/05

FIG. & ITEM	PART NO.	AIRLINE PART NUMBER	NOMENCLATURE 1234567	EFF CODE	QTY PER ASSY
01-					
789	161T1240-5		DELETED		
791	NAS623-3-1		DELETED		
791A	BACB30NT3K1		DELETED		
793	AN960PD10L		DELETED		
793A	AN960JD10LL		DELETED		
795	69B83395-1		DELETED		
797	NAS6603H25		DELETED		
799	AN960PD10L		DELETED		
799A	AN960JD10LL		DELETED		
801	161T1240-6		DELETED		
803	HL10VAZ6-3		DELETED		
805	HL79-6		DELETED		
807	161T1244-2		DELETED		
809	BACR15BB5AD		DELETED		
811	161T1243-3		DELETED		
813	161T1241-1		DELETED		
-813A	161T1241-3		DELETED		
815	MS20219F1-15		DELETED		
815A	MS21209F1-15		DELETED		
-815B	MS21209F1-10P		DELETED		
817	161T1241-2		DELETED		
-817A	161T1241-4		DELETED		
820	161T1248-1		DELETED		
822	161T1248-2		DELETED		
824	LL106KSG20		DELETED		
-824A	SK0771-1		DELETED		
-824B	9106NPPFS464		DELETED		
826	69B83394-2		DELETED		
828	69B83396-2		DELETED		
-828A	69B83396-3		DELETED		
830	NAS6603H2		DELETED		
832	65B84414-4		DELETED		
834	MS21209F1-15		DELETED		
836	65B84414-5		DELETED		
837	161T1245-1		DELETED		
839	75984		DELETED		
841	NAS1352C08H10		DELETED		
843	161T1223-1		DELETED		
845	161T1220-1		DELETED		
847	78529		DELETED		
-847A	84490-1		DELETED		
-850	161T1000-5001		DELETED		
-850A	161T1000-5002		DELETED		
-850B	161T1000-5005		DELETED		
-850C	161T1000-5006		DELETED		

**32-11-20**

FIG. & ITEM	PART NO.	AIRLINE PART NUMBER	NOMENCLATURE 1234567	EFF CODE	QTY PER ASSY
01-					
-850D	161T1000-5007		DELETED		
-850E	161T1000-5008		DELETED		
-855	161T1000-5017		DELETED		
-855A	161T1000-5018		DELETED		
-860	161T1000-5009		DELETED		
-860A	161T1000-5010		DELETED		
-865	165T0000-1		DELETED		
-870	161T1000-5021		DELETED		
-870A	161T1000-5025		DELETED		
-870B	161T1000-5031		DELETED		
-870C	161T1000-5033		DELETED		
-870D	161T1000-5019		DELETED		
-870E	161T1000-5087		DELETED		
-870F	161T1000-5111		DELETED		
-870G	161T1000-5091		DELETED		
-870H	161T1000-5099		DELETED		
-870J	161T1000-5103		DELETED		
-870K	161T1000-5108		DELETED		
-870L	161T1000-5095		DELETED		
-870M	161T1000-5123		DELETED		
-870N	161T1000-5121		DELETED		
-870P	161T1000-5129		DELETED		
-870Q	161T1000-5029		DELETED		
-870R	161T1000-5065		DELETED		
-870S	161T1000-5069		DELETED		
-870T	161T1000-5071		DELETED		
-870U	161T1000-5113		DELETED		
-870V	161T1000-5117		DELETED		
-870W	161T1000-5127		DELETED		
-870X	161T1000-5133		DELETED		

# 32-11-20

 ILLUSTRATED PARTS LIST  
 01.1 Page 1046X  
 Nov 01/05

FIG. & ITEM	PART NO.	AIRLINE PART NUMBER	NOMENCLATURE 1234567	EFF CODE	QTY PER ASSY
01-					
-870Y	161T1000-5135		DELETED		
-870Z	161T1000-5137		DELETED		
-871	161T1000-5077		DELETED		
-871A	161T1000-5079		DELETED		
-871B	161T1000-5125		DELETED		
-871C	161T1000-5131		DELETED		
-871D	161T1000-5085		DELETED		
-871E	161T1000-5073		DELETED		
-871F	161T1000-5075		DELETED		
-871G	161T1000-5119		DELETED		
-871H	161T1000-5107		DELETED		
-871J	161T1000-5093		DELETED		
-871K	161T1000-5089		DELETED		
-871L	161T1000-5097		DELETED		
-871M	161T1000-5115		DELETED		
-875	161T1000-5022		DELETED		
-875A	161T1000-5026		DELETED		
-875B	161T1000-5034		DELETED		
-875C	161T1000-5020		DELETED		
-875D	161T1000-5088		DELETED		
-875E	161T1000-5112		DELETED		
-875F	161T1000-5092		DELETED		
-875G	161T1000-5100		DELETED		
-875H	161T1000-5104		DELETED		
-875J	161T1000-5110		DELETED		
-875K	161T1000-5096		DELETED		
-875L	161T1000-5122		DELETED		
-875M	161T1000-5124		DELETED		
-875N	161T1000-5130		DELETED		
-875P	161T1000-5070		DELETED		
-875Q	161T1000-5072		DELETED		
-875R	161T1000-5105		DELETED		
-875S	161T1000-5106		DELETED		
-875T	161T1000-5114		DELETED		
-875U	161T1000-5118		DELETED		
-875V	161T1000-5128		DELETED		
-875W	161T1000-5134		DELETED		
-875X	161T1000-5136		DELETED		
-875Y	161T1000-5138		DELETED		
-875Z	161T1000-5078		DELETED		

**32-11-20**

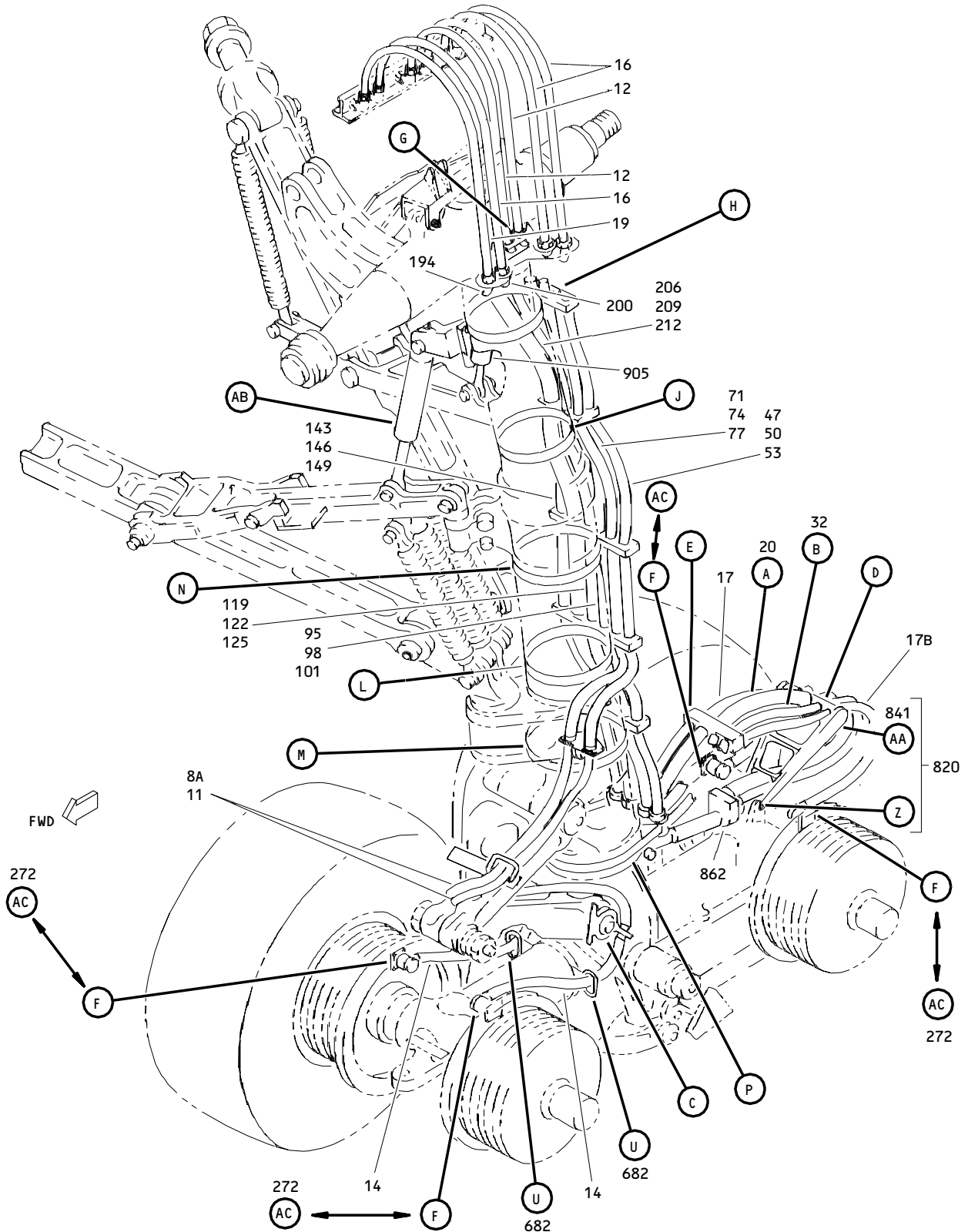
FIG. & ITEM	PART NO.	AIRLINE PART NUMBER	NOMENCLATURE 1234567	EFF CODE	QTY PER ASSY
01-					
-876	161T1000-5080		DELETED		
-876A	161T1000-5126		DELETED		
-876B	161T1000-5132		DELETED		
-876C	161T1000-5086		DELETED		
-876D	161T1000-5062		DELETED		
-876E	161T1000-5074		DELETED		
-876F	161T1000-5076		DELETED		
-876G	161T1000-5120		DELETED		
-876H	161T1000-5094		DELETED		
-876J	161T1000-5109		DELETED		
-876K	161T1000-5090		DELETED		
-876L	161T1000-5098		DELETED		
-876M	161T1000-5116		DELETED		

- Item Not Illustrated

# 32-11-20

 ILLUSTRATED PARTS LIST  
 01.1 Page 1046Z  
 Nov 01/05



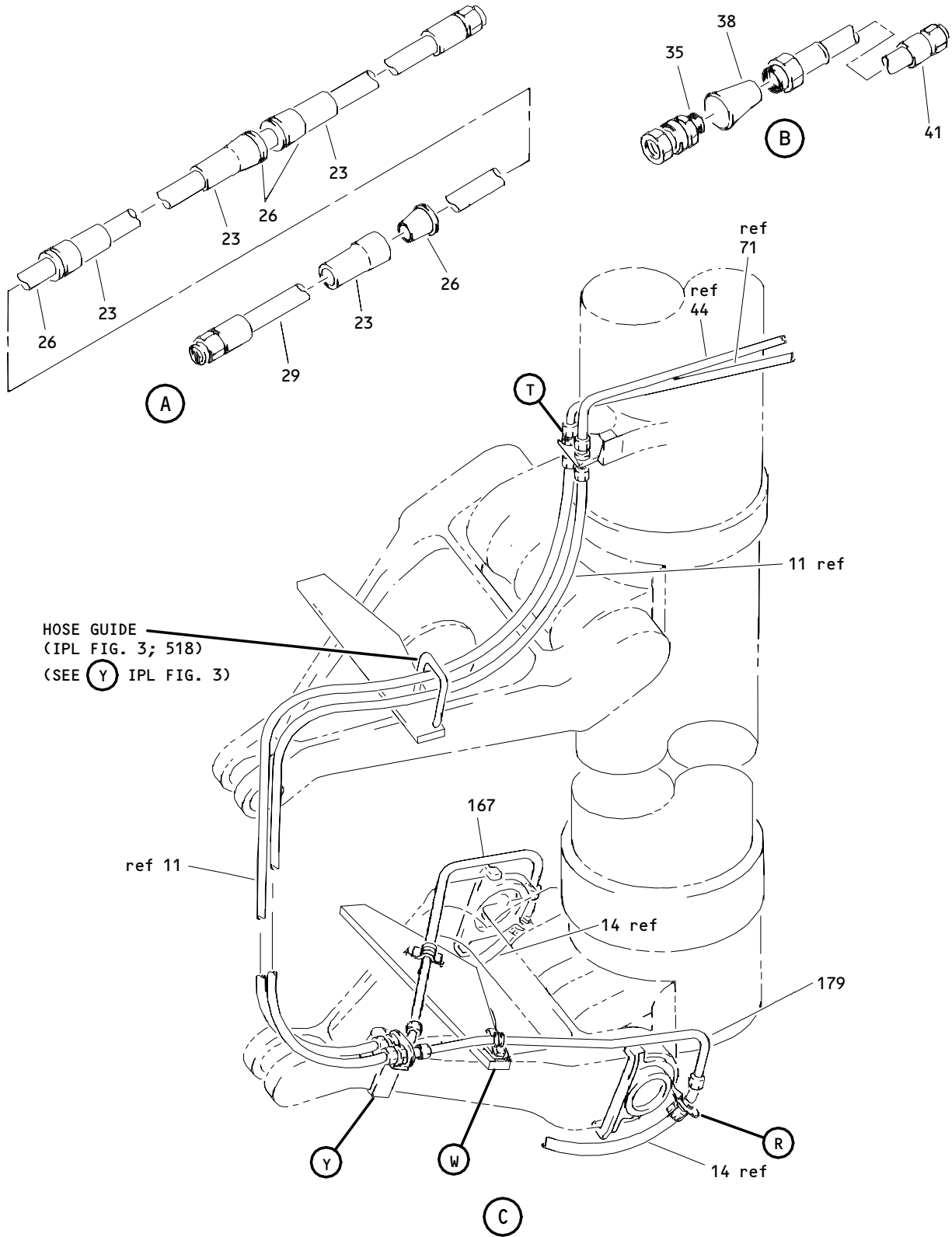


Hydraulic Installation  
 Figure 2 (Sheet 1)

**32-11-20**

ILLUSTRATED PARTS LIST  
 01.1 Page 1048  
 Nov 01/05

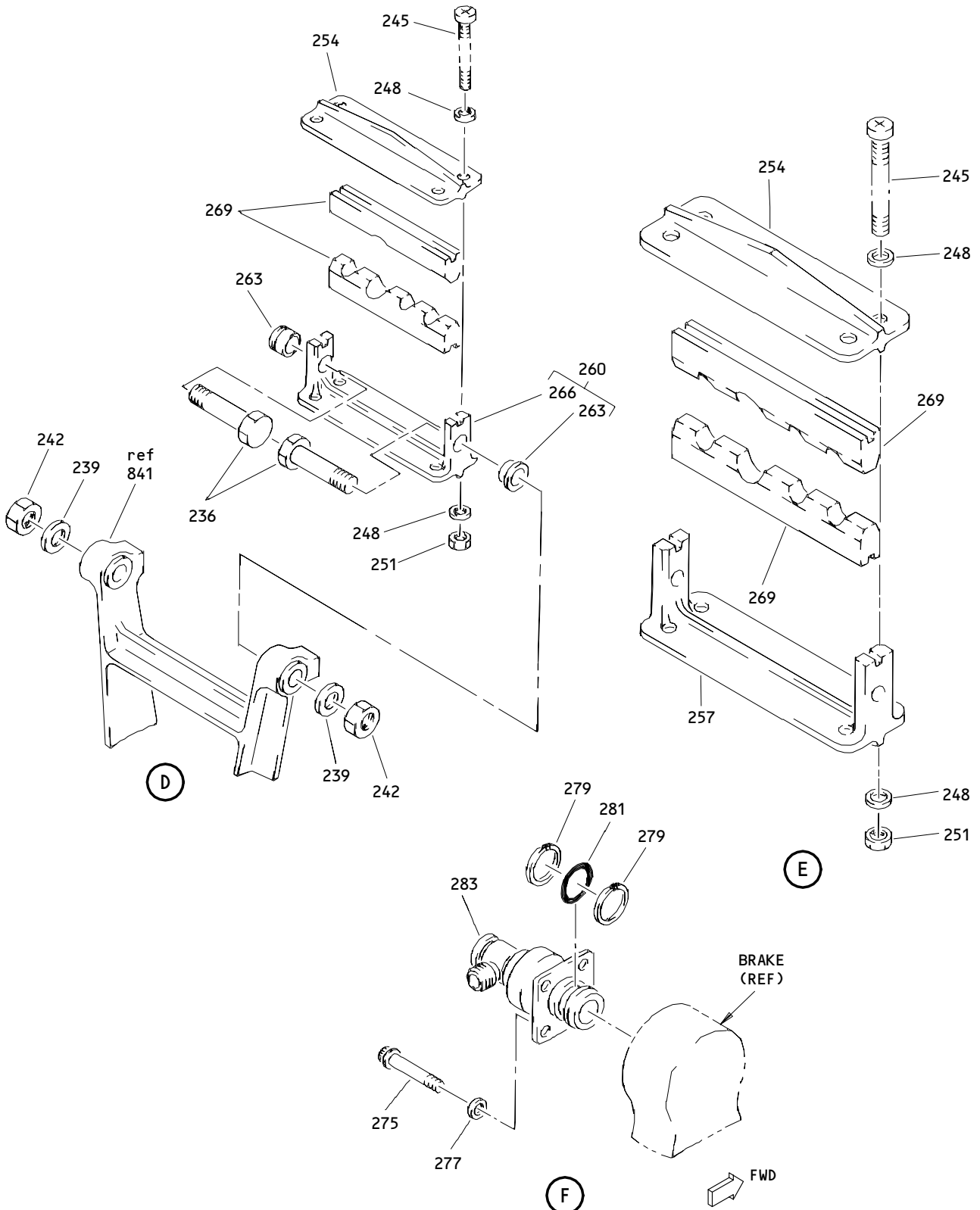
U11093



Hydraulic Installation  
Figure 2 (Sheet 2)

**32-11-20**

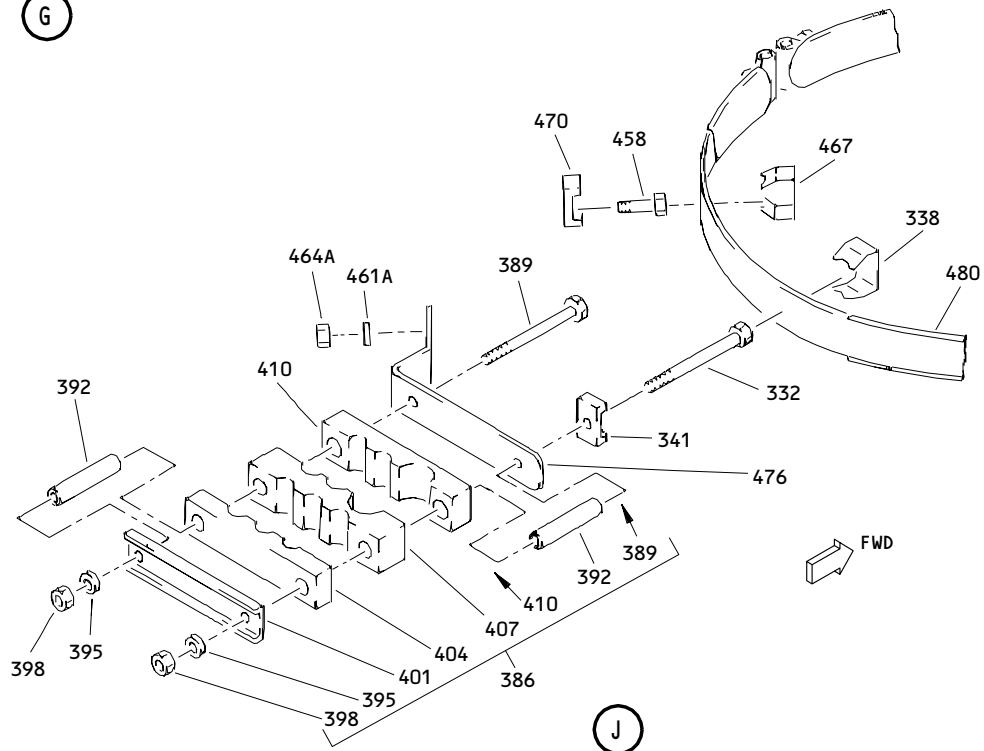
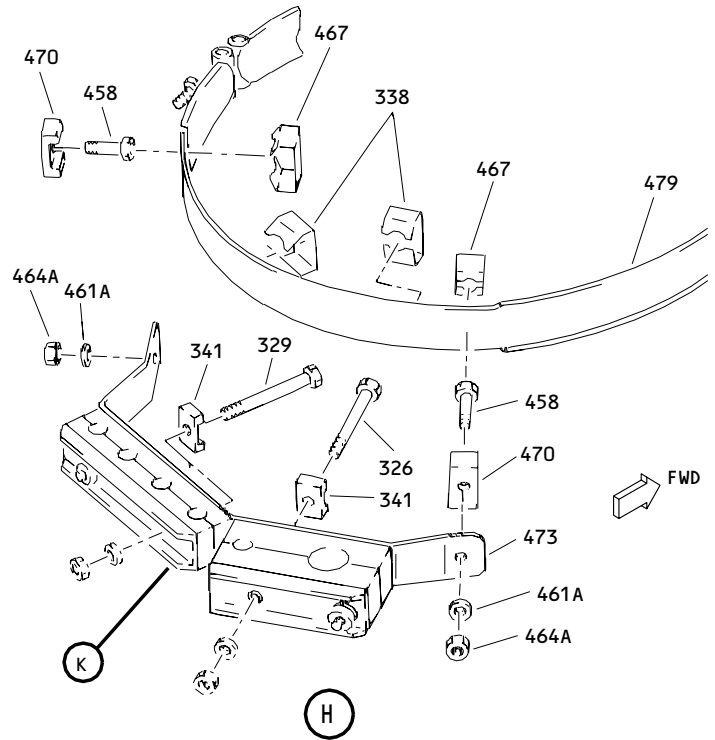
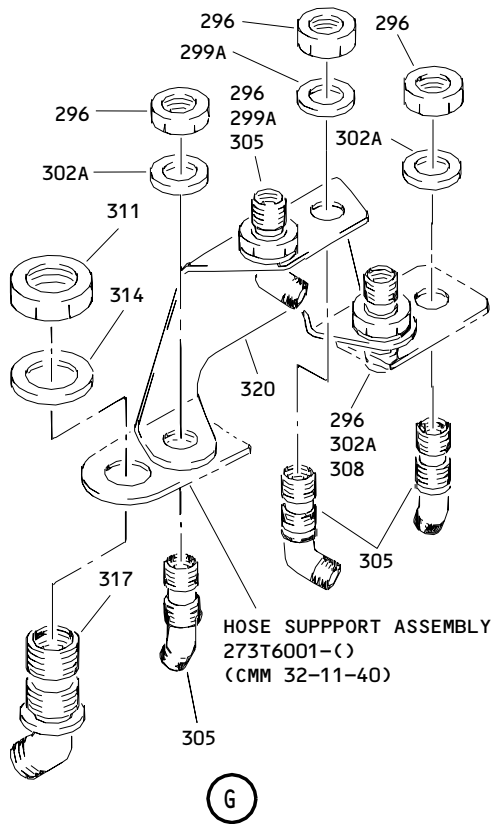
ILLUSTRATED PARTS LIST  
01.1 Page 1048A  
Nov 01/05



Hydraulic Installation  
 (Figure 2 (Sheet 3))

**32-11-20**

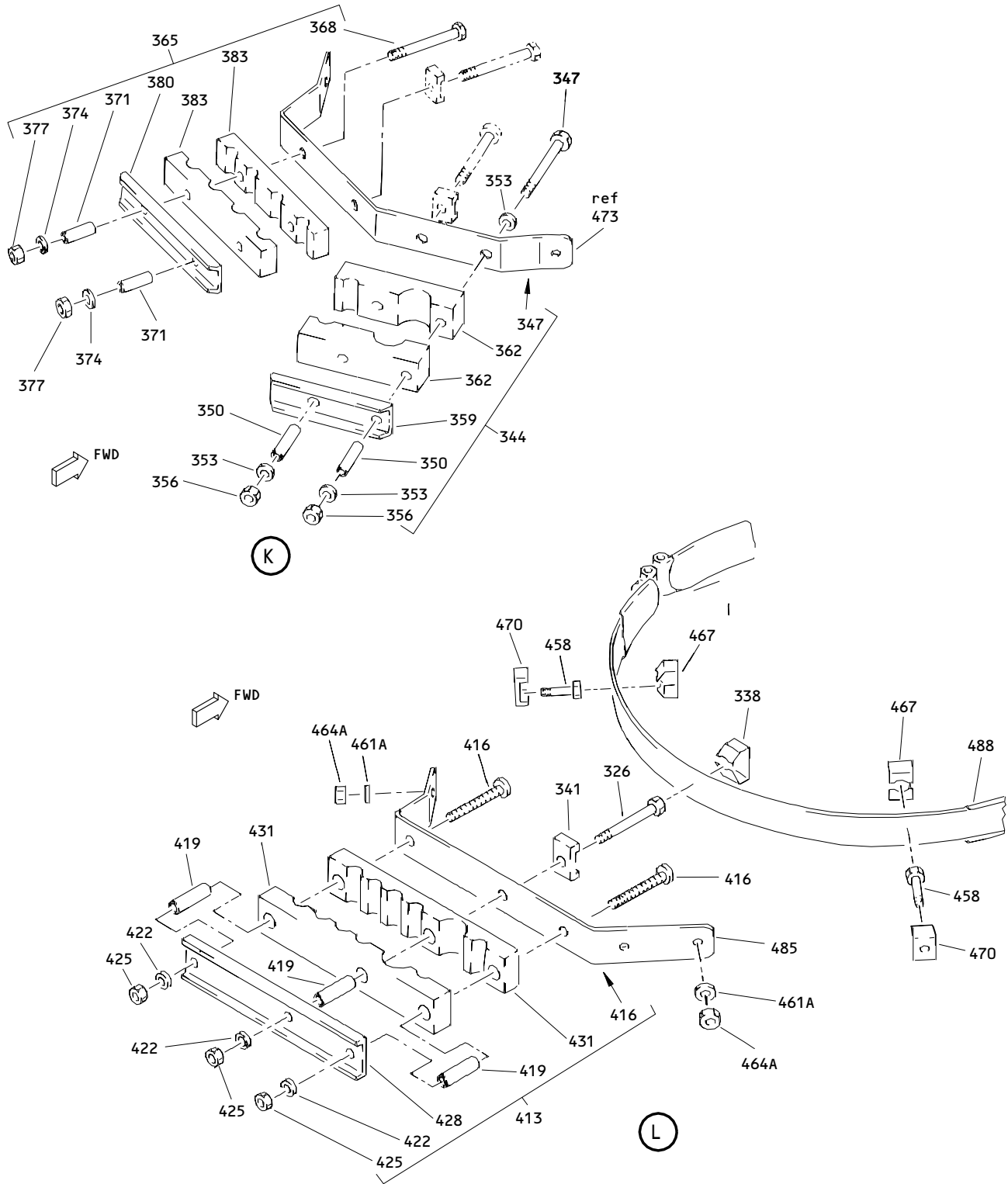
ILLUSTRATED PARTS LIST  
 01.1 Page 1048B  
 Nov 01/05



Hydraulic Installation  
Figure 2 (Sheet 4)

**32-11-20**

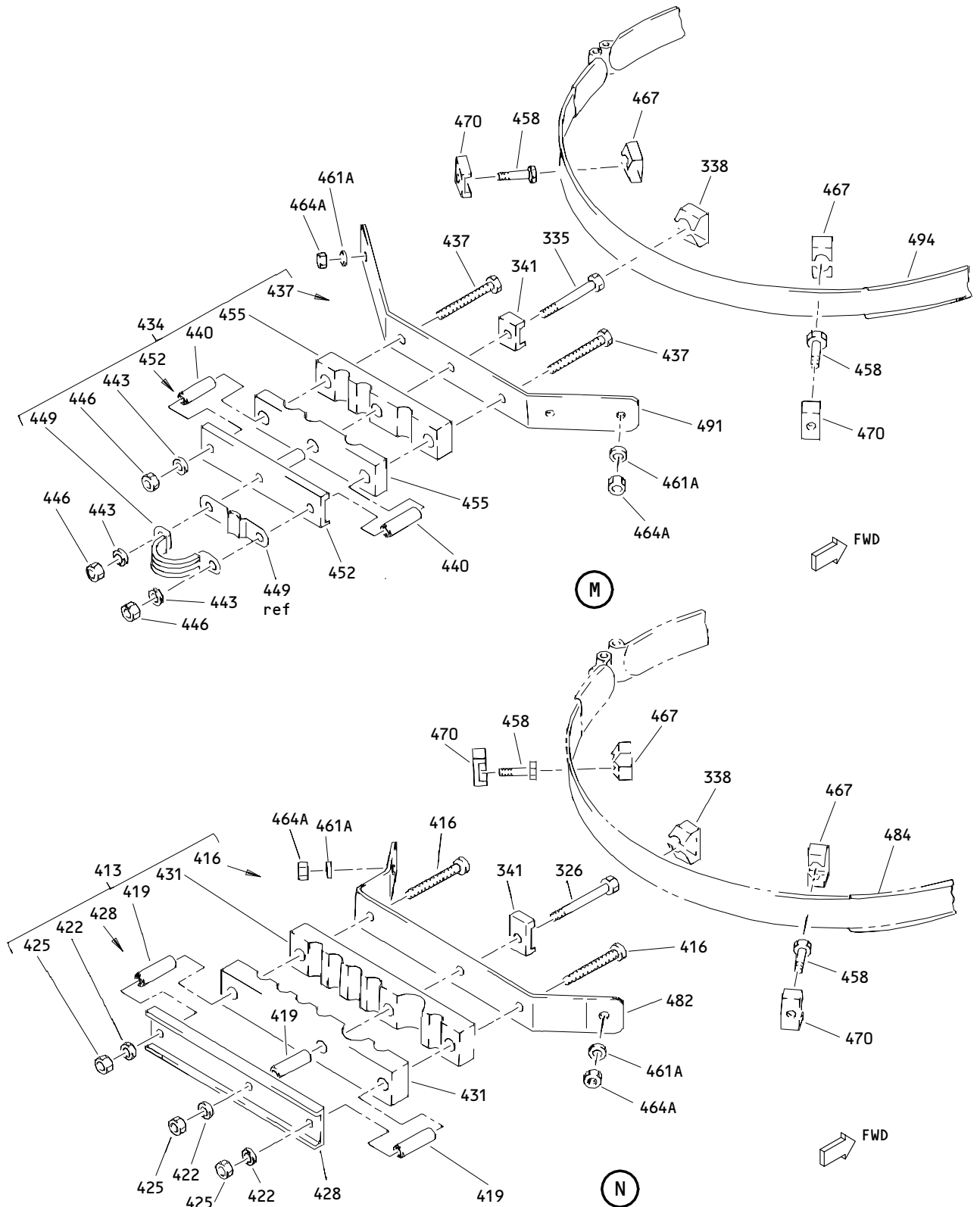
ILLUSTRATED PARTS LIST  
01.1 Page 1048C  
Nov 01/05



Hydraulic Installation  
 Figure 2 (Sheet 5)

**32-11-20**

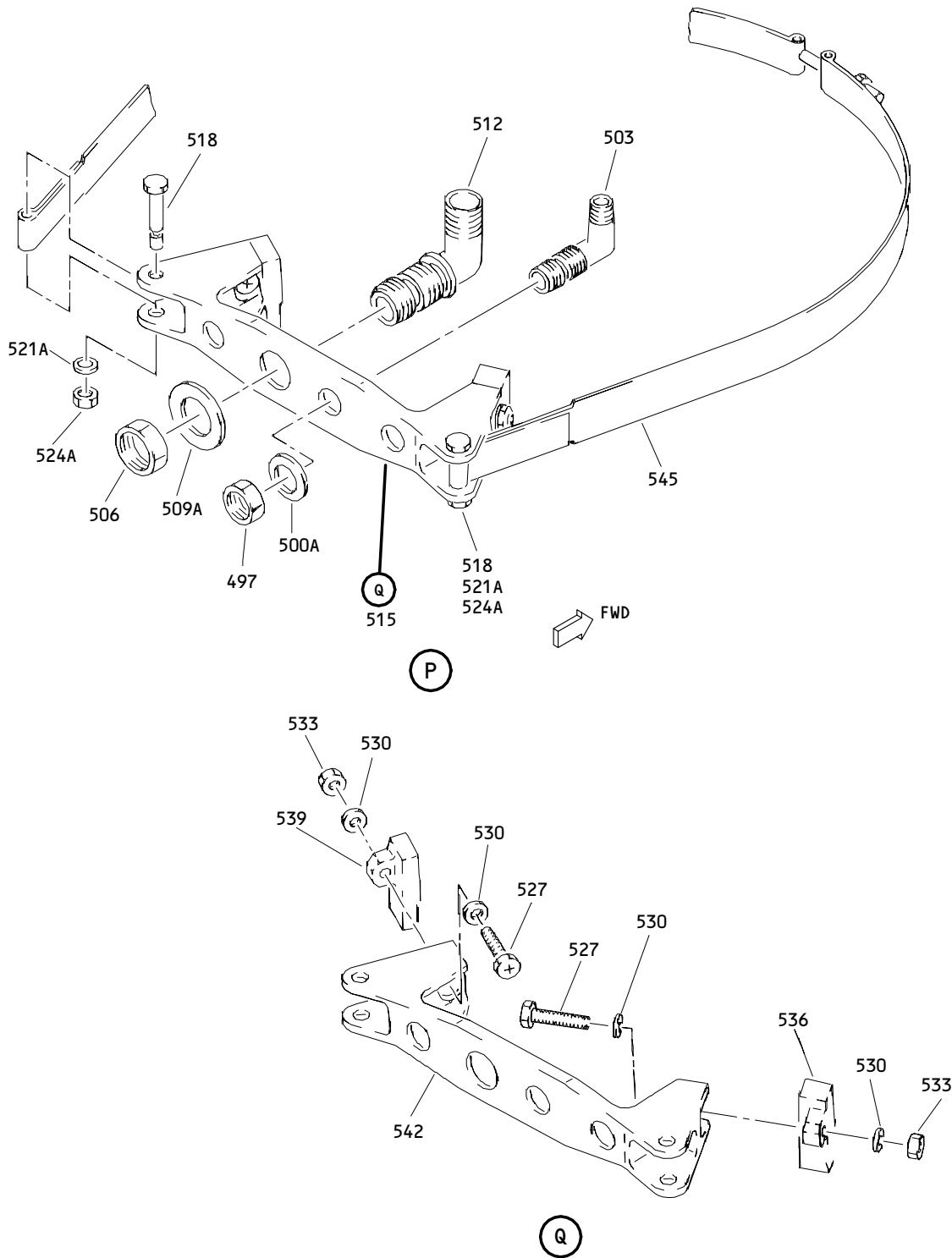
ILLUSTRATED PARTS LIST  
 01.1 Page 1048D  
 Nov 01/05



Hydraulic Installation  
Figure 2 (Sheet 6)

**32-11-20**

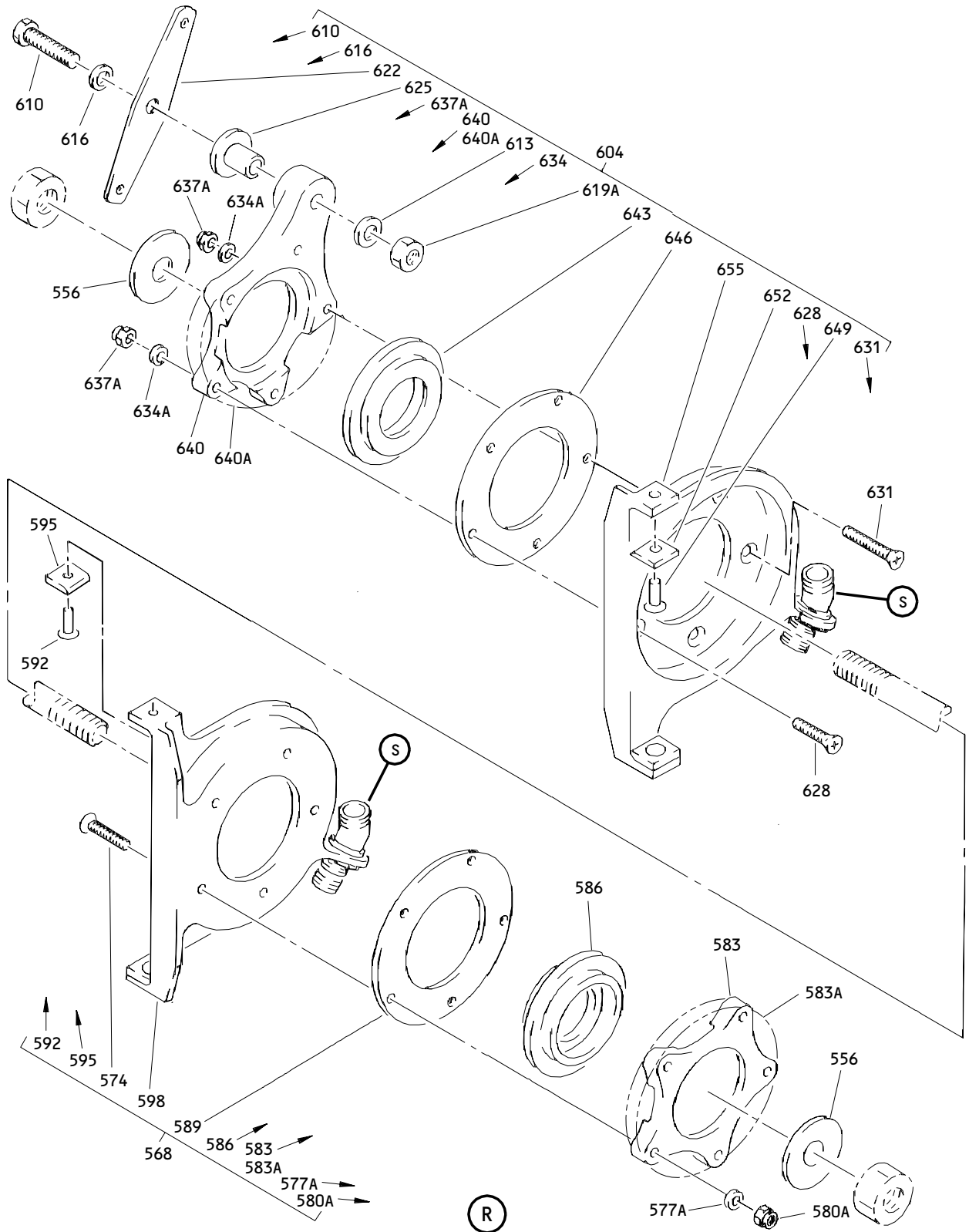
ILLUSTRATED PARTS LIST  
01.1 Page 1048E  
Nov 01/05



Hydraulic Installation  
 Figure 2 (Sheet 7)

**32-11-20**

ILLUSTRATED PARTS LIST  
 01.1 Page 1048F  
 Nov 01/05

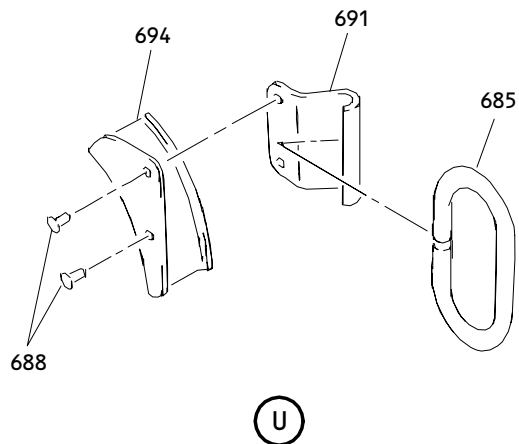
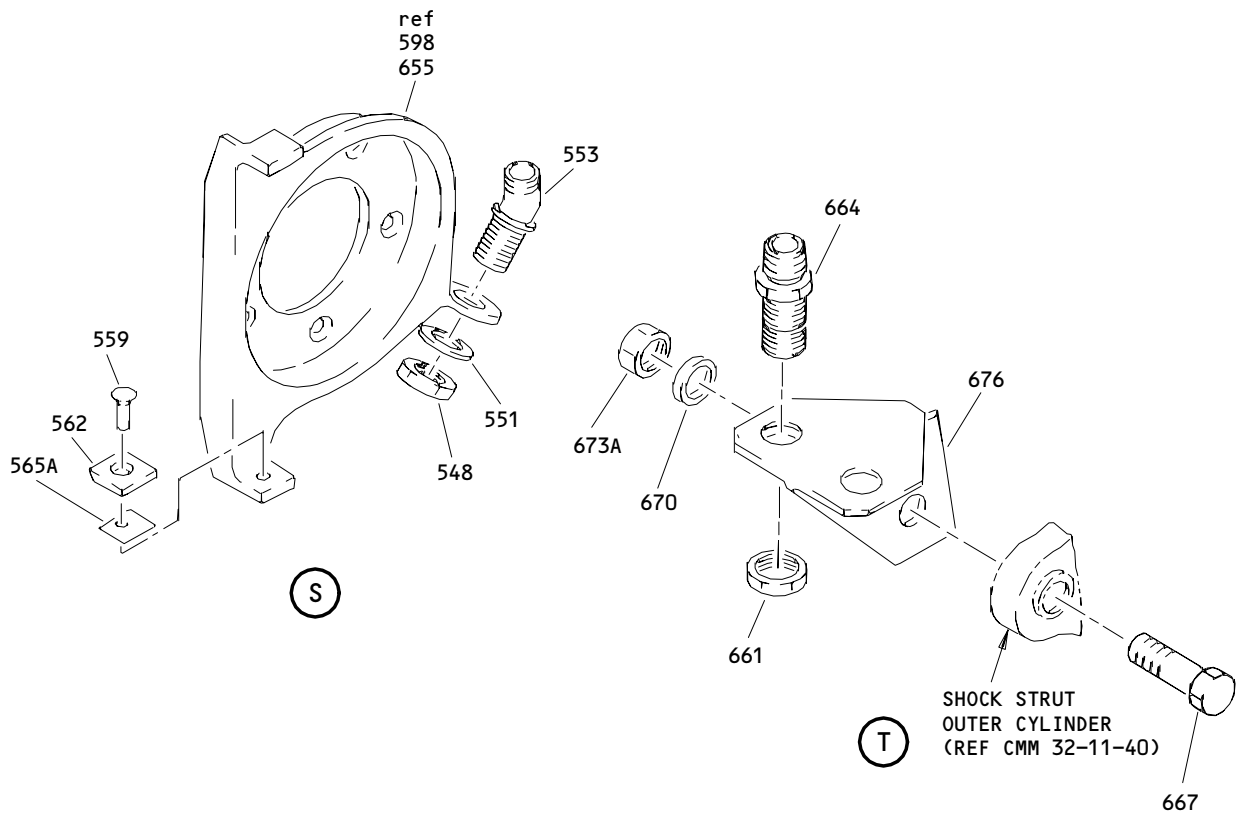


Hydraulic Installation  
Figure 2 (Sheet 8)

**32-11-20**

ILLUSTRATED PARTS LIST  
01.1 Page 1048G  
Nov 01/05

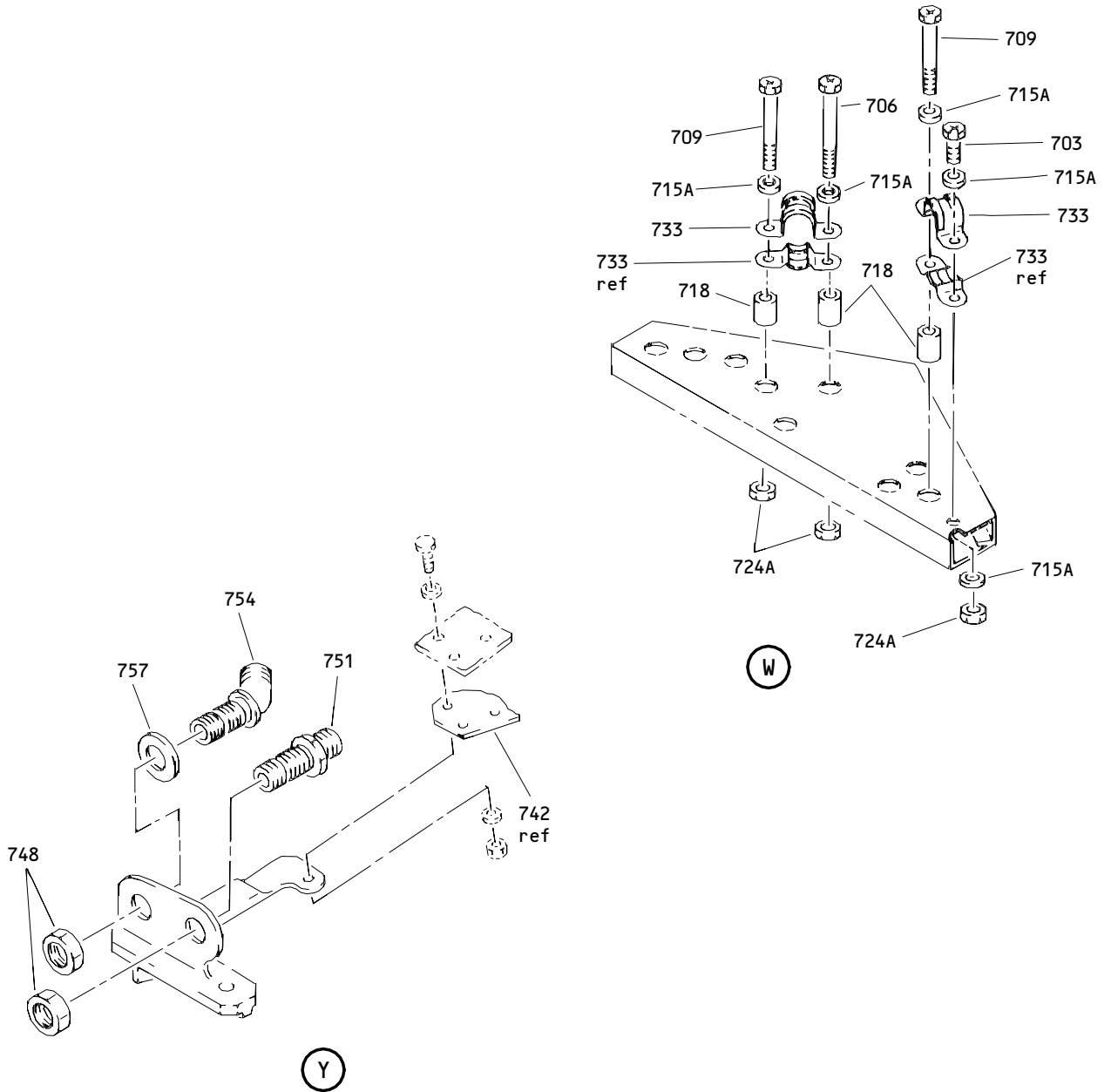




Hydraulic Installation  
 Figure 2 (Sheet 9)

**32-11-20**

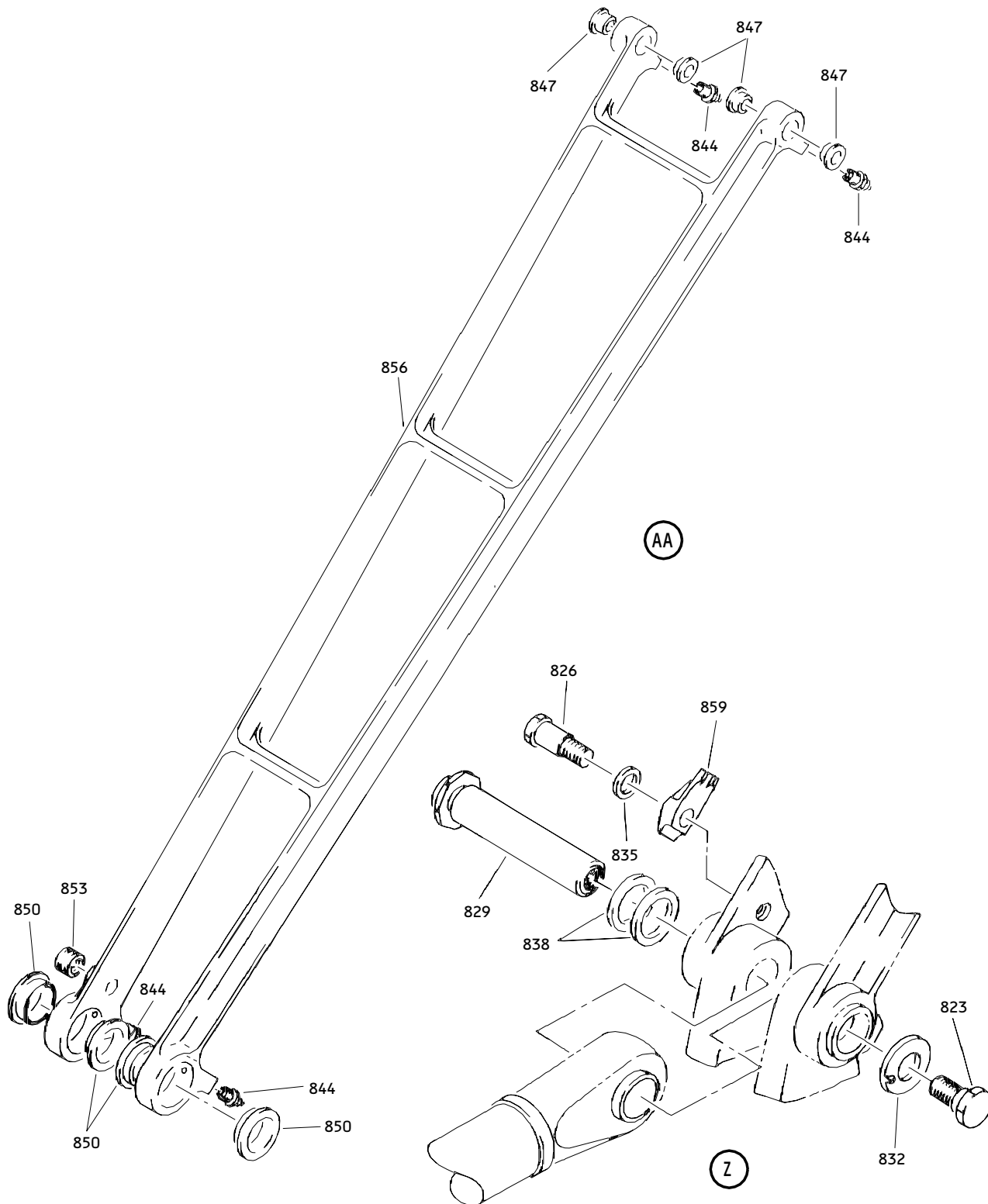
ILLUSTRATED PARTS LIST  
 01.1 Page 1048H  
 Nov 01/05



Hydraulic Installation  
Figure 2 (Sheet 10)

**32-11-20**

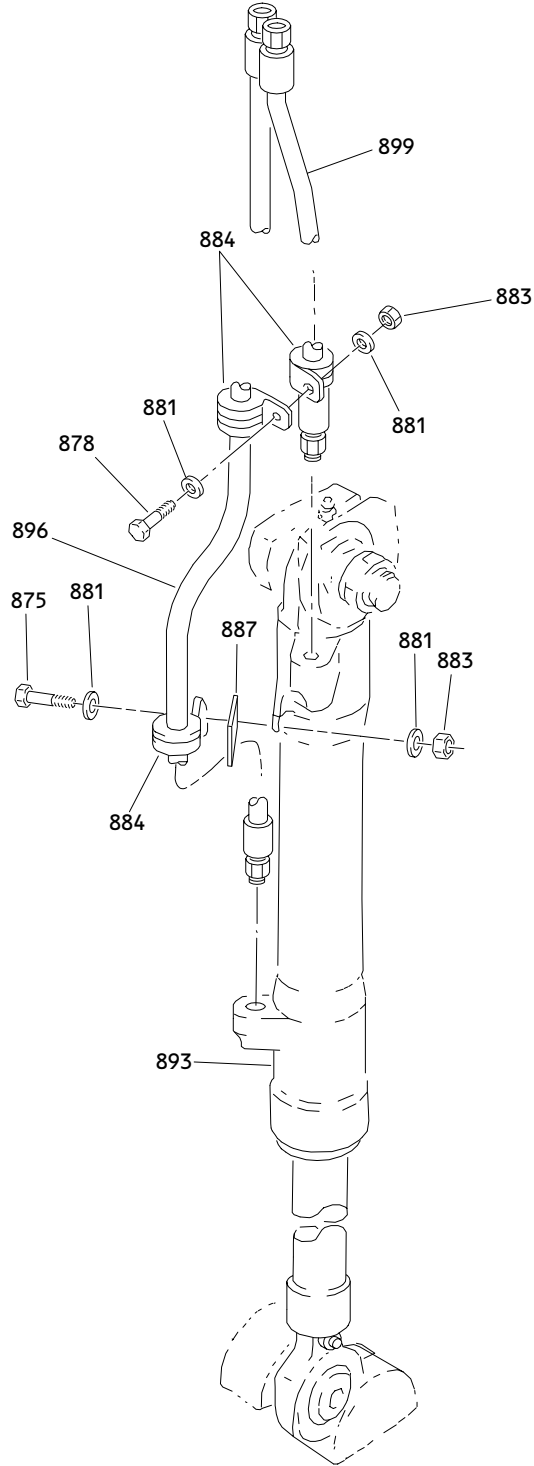
ILLUSTRATED PARTS LIST  
01.1 Page 1048I  
Nov 01/05



Hydraulic Installation  
Figure 2 (Sheet 11)

**32-11-20**

ILLUSTRATED PARTS LIST  
01.1 Page 1048J  
Nov 01/05

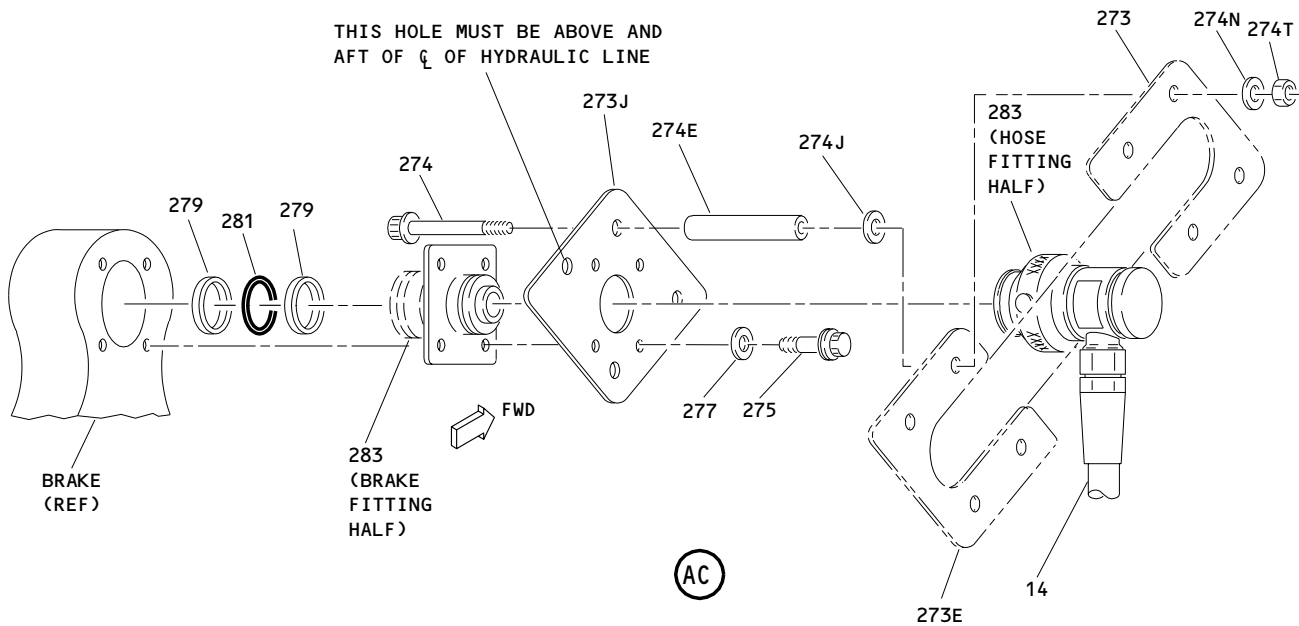


(AB)

Hydraulic Installation  
Figure 2 (Sheet 12)

**32-11-20**

ILLUSTRATED PARTS LIST  
01.1 Page 1048K  
Nov 01/05



Hydraulic Installation  
 Figure 2 (Sheet 13)

**32-11-20**

ILLUSTRATED PARTS LIST  
 01.1 Page 1048L  
 Nov 01/05

FIG. & ITEM	PART NO.	AIRLINE PART NUMBER	NOMENCLATURE 1234567	EFF CODE	QTY PER ASSY
02- -1	272T6100-1		HYDRAULIC INSTL-SECT. 61	A-BH, BP-BZ ,HY-J J	RF
-2	272T6100-2		HYDRAULIC INSTL-SECT. 61	CA-EF ,EM,E Q-EZ, JK-JV	RF
-4 -4A	272T6100-2 272T6100-5057		DELETED .LIMITED PART COLLECTOR- (LIMITED)	A-BH, BP-BZ ,HY-J J	1
-4B	272T6100-5059		.LIMITED PART COLLECTOR- (LIMITED)	A-BH, BP-BZ ,HY-J J	1
-5 -5A -5B -5C -5D -5E -5F -5G -5H -5J	272T6100-5001 272T6100-5003 272T6100-5005 272T6100-5007 272T6100-5009 272T6100-5011 272T6100-5013 272T6100-5015 272T6100-5017 272T6100-5019		DELETED DELETED DELETED DELETED DELETED DELETED DELETED DELETED DELETED DELETED		
-5K	272T6100-5023		.HYDRAULIC INSTL- (LIMITED)	A-BH, BP-BZ ,HY-J J	1
-5L	272T6100-5027		.HYDRAULIC INSTL- (LIMITED)	A-BH, BP-BZ ,HY-J J	1
-5M -5N -5P	272T6100-5029 272T6100-5031 272T6100-5033		DELETED DELETED .HYDRAULIC INSTL- (LIMITED)	A-BH, BP-BZ ,HY-J J	1

**32-11-20**

ILLUSTRATED PARTS LIST  
01.1 Page 1048M  
Nov 01/05

FIG. & ITEM	PART NO.	AIRLINE PART NUMBER	NOMENCLATURE 1234567	EFF CODE	QTY PER ASSY
02- -5Q	272T6100-5035		.HYDRAULIC INSTL- (LIMITED)	A-BH, BP-BZ ,HY-J J	1
-5R	272T6100-5037		.HYDRAULIC INSTL- (LIMITED)	A-BH, BP-BZ ,HY-J J	1
-5S	272T6100-5039		.HYDRAULIC INSTL- (LIMITED)	A-BH, BP-BZ ,HY-J J	1
-5T	272T6100-5041		.LIMITED PART COLLECTOR- (LIMITED)	A-BH, BP-BZ ,HY-J J	1
-5U	272T6100-5045		.LIMITED PART COLLECTOR- (LIMITED)	A-BH, BP-BZ ,HY-J J	1
-5V	272T6100-5047		.LIMITED PART COLLECTOR- (LIMITED)	A-BH, BP-BZ ,HY-J J	1
-5W	272T6100-5049		.LIMITED PART COLLECTOR- (LIMITED)	A-BH, BP-BZ ,HY-J J	1
-5X	272T6100-5051		.LIMITED PART COLLECTOR- (LIMITED)	A-BH, BP-BZ ,HY-J J	1
-5Y	272T6100-5053		DELETED		
-5Z	272T6100-5055		.LIMITED PART COLLECTOR- (LIMITED)	A-BH, BP-BZ ,HY-J J	1
-6	272T6100-5002		DELETED		
-6A	272T6100-5004		DELETED		
-6B	272T6100-5006		DELETED		
-6C	272T6100-5008		DELETED		
-6D	272T6100-5010		DELETED		
-6E	272T6100-5012		DELETED		
-6F	272T6100-5014		DELETED		
-6G	272T6100-5016		DELETED		

# 32-11-20

 ILLUSTRATED PARTS LIST  
 01.1 Page 1048N  
 Nov 01/05

FIG. & ITEM	PART NO.	AIRLINE PART NUMBER	NOMENCLATURE 1234567	EFF CODE	QTY PER ASSY
02- -6H -6J	272T6100-5018 272T6100-5020		DELETED .HYDRAULIC INSTL- (LIMITED)	CA-EF ,EM,E Q-EZ, JK-JV	1
-6K	272T6100-5024		.HYDRAULIC INSTL- (LIMITED)	CA-EF ,EM,E Q-EZ, JK-JV	1
-6L	272T6100-5028		.HYDRAULIC INSTL- (LIMITED)	CA-EF ,EM,E Q-EZ, JK-JV	1
-6M -6N -6P	272T6100-5030 272T6100-5032 272T6100-5034		DELETED DELETED .HYDRAULIC INSTL- (LIMITED)	CA-EF ,EM,E Q-EZ, JK-JV	1
-6Q	272T6100-5036		.HYDRAULIC INSTL- (LIMITED)	CA-EF ,EM,E Q-EZ, JK-JV	1
-6R	272T6100-5038		.HYDRAULIC INSTL- (LIMITED)	CA-EF ,EM,E Q-EZ, JK-JV	1
-6S	272T6100-5040		.HYDRAULIC INSTL- (LIMITED)	CA-EF ,EM,E Q-EZ, JK-JV	1
-6T	272T6100-5042		.LIMITED PART COLLECTOR- (LIMITED)	CA-EF ,EM,E Q-EZ, JK-JV	1
-6U -6V	272T6100-5044 272T6100-5048		DELETED .LIMITED PART COLLECTOR- (LIMITED)	CA-EF ,EM,E Q-EZ, JK-JV	1
-6W	272T6100-5050		.LIMITED PART COLLECTOR- (LIMITED)	CA-EF ,EM,E Q-EZ, JK-JV	1

32-11-20



FIG. & ITEM	PART NO.	AIRLINE PART NUMBER	NOMENCLATURE 1234567	EFF CODE	QTY PER ASSY
02- -6X	272T6100-5052		.LIMITED PART COLLECTOR- (LIMITED)	CA-EF ,EM,E Q-EZ, JK-JV	1
-6Y	272T6100-5054		DELETED		
-6Z	272T6100-5056		.LIMITED PART COLLECTOR- (LIMITED)	CA-EF ,EM,E Q-EZ, JK-JV	1
-7	272T6100-5058		.LIMITED PART COLLECTOR- (LIMITED)	CA-EF ,EM,E Q-EZ, JK-JV	1
-7A	272T6100-5060		.LIMITED PART COLLECTOR- (LIMITED)	CA-EF ,EM,E Q-EZ, JK-JV	1
8	AS115-06K0360		DELETED		
8A	AS115-06K0360		..HOSE ASSY- (USED ON ITEMS 4A, 4B, 5V, 5W, 5X, 5Z, 6V 6W, 6X, 6Z, 7, 7A)	A-BH, BP-EF ,EM,E Q-EZ, HY-JV	2
11	AS115-06K0370		..HOSE ASSY-FWD BRAKE (USED ON ITEMS 5J, 5K, 5L, 5P, 5Q, 5R, 5T, 5U, 6J, 6K, 6L, 6P, 6Q, 6R 6T)	A-BH, BP-EF ,EM,E Q-EZ, HY-JV	2
12	AS115-06K0280		..HOSE ASSY-BRAKE (OPT ITEM 12A) (PRE SB 737-32-0162)	A-BH, BP-EF ,EM,E Q-EZ, HY-JV	2
-12A	AS4624G0264SS		..HOSE ASSY-BRAKE (OPT ITEM 12) (PRE SB 767-32-0162)	A-BH, BP-EF ,EM,E Q-EZ, HY-JV	2
-12B	AS4624G0212SS		..HOSE ASSY-BRAKE (POST SB 767-32-0162)	A-BH, BP-EF ,EM,E Q-EZ, HY-JV	2

# 32-11-20

 ILLUSTRATED PARTS LIST  
 01.1 Page 1048P  
 Nov 01/05



**BOEING**  
COMPONENT  
MAINTENANCE MANUAL

FIG. & ITEM	PART NO.	AIRLINE PART NUMBER	NOMENCLATURE 1234567	EFF CODE	QTY PER ASSY
02-14	AS115-06K0264		..HOSE ASSY-FWD BRAKE	A-BH, BP-EF ,EM,E Q-EZ, HY-JV	2
16	AS115-06K0310		..HOSE ASSY- (OPT ITEM 16A) (PRE SB 767-32-0162)	A-BH, BP-EF ,EM,E Q-EZ, HY-JV	3
-16A	AS4624G0284SS		..HOSE ASSY- (OPT ITEM 16) (PRE SB 767-32-0162)	A-BH, BP-EF ,EM,E Q-EZ, HY-JV	3
-16B	AS4624G0234SS		..HOSE ASSY- (POST SB 767-32-0162)	A-BH, BP-EF ,EM,E Q-EZ, HY-JV	3
17	AS115-06K0660		DELETED		
-17A	AS115-06D0660		DELETED		
17B	AS115-06K0660		..HOSE ASSY-AFT BRAKE	A-BH, BP-EF ,EM,E Q-EZ, HY-JV	2
19	AS115-10K0324		..HOSE ASSY- (OPT ITEM 19A) (PRE SB 767-32-0162)	A-BH, BP-EF ,EM,E Q-EZ, HY-JV	1
-19A	AS4624J0300SS		..HOSE ASSY- (OPT ITEM 19) (PRE SB 767-32-0162)	A-BH, BP-EF ,EM,E Q-EZ, HY-JV	1
-19B	AS4624J0246SS		..HOSE ASSY- (POST SB 767-32-0162)	A-BH, BP-EF ,EM,E Q-EZ, HY-JV	1

**32-11-20**

ILLUSTRATED PARTS LIST  
01.1 Page 1048Q  
Nov 01/05

FIG. & ITEM	PART NO.	AIRLINE PART NUMBER	NOMENCLATURE 1234567	EFF CODE	QTY PER ASSY
02-20	272T6124-1		..HOSE ASSY-TRUCK POSITIONER	A-BH, BP-EF ,EM,E Q-EZ, HY-JV	1
23	272T6124-3		...SLEEVE	A-BH, BP-EF ,EM,E Q-EZ, HY-JV	4
26	272T6127-1		...STOP	A-BH, BP-EF ,EM,E Q-EZ, HY-JV	4
29	AS115-10K0720		...HOSE- (OPT ITEM 29A)	A-BH, BP-EF ,EM,E Q-EZ, HY-JV	1
-29A	AS115-10D0720		...HOSE- (OPT ITEM 29)	A-BH, BP-EF ,EM,E Q-EZ, HY-JV	1
32	272T6124-2		..HOSE ASSY-TRUCK POSITIONER	A-BH, BP-EF ,EM,E Q-EZ, HY-JV	1

# 32-11-20

 ILLUSTRATED PARTS LIST  
 01.1 Page 1048R  
 Nov 01/05

FIG. & ITEM	PART NO.	AIRLINE PART NUMBER	NOMENCLATURE 1234567	EFF CODE	QTY PER ASSY
02-35	152008-1-08E		...DISCONNECT- (V11362) (SPEC S270T230-31)	A-BH, BP-EF ,EM,E Q-EZ, HY-JV	1
38	272T6124-3		...SLEEVE	A-BH, BP-EF ,EM,E Q-EZ, HY-JV	1
41	AS154A06EN0700B		...HOSE- (V00624) (SPEC BACH8A06EN0700B) (OPT B472-6EN0700B (V98441)) (OPT 97934A06EN0700B (V78570)) (OPT R291206EN0700B (V50599)) (OPT ITEM 41A)	A-BH, BP-EF ,EM,E Q-EZ, HY-JV	1
-41A	AS154A06EN0700D		...HOSE- (V00624) (SPEC BACH8A06EN0700D) (OPT B472-6EN0700D (V98441)) (OPT 97934A06EN0700D (V78570)) (OPT R291206EN0700D (V50599)) (OPT ITEM 41)	A-BH, BP-EF ,EM,E Q-EZ, HY-JV	1

**32-11-20**

FIG. & ITEM	PART NO.	AIRLINE PART NUMBER	NOMENCLATURE 1234567	EFF CODE	QTY PER ASSY
02-44 47	272T6100-147 272T6100-147		DELETED ..TUBE ASSY- (MFD FROM TUBE TITANIUM 3AL-2.5V 3/8 OD X .019 WALL 75.0 IN. BMS7-234 F25.01) (ITEM 50 AND ITEM 47 ARE TOGETHER OPTIONAL TO ITEM 53) (USED ON ITEMS 5J, 5K, 5L)	A-BH, BP-BZ ,HY-J J	1
50	272T6100-145		..TUBE ASSY- (ITEM 50 AND ITEM 47 ARE TOGETHER OPTIONAL TO ITEM 53) (USED ON ITEMS 5J, 5K, 5L)	A-BH, BP-BZ ,HY-J J	1
53	272T6100-165		..TUBE ASSY- (MFD FROM TUBE TITANIUM 3AL-2.5V 3/8 OD X .019 WALL 75.0 IN. BMS7-234 F25.01) (ITEM 50 AND ITEM 47 ARE TOGETHER OPTIONAL TO ITEM 53) 5J, 5K, 5L)	A-BH, BP-BZ ,HY-J J	1
-53A	272T6100-165		..TUBE ASSY- (MFD FROM TUBE TITANIUM 3AL-2.5V 3/8 OD X .019 WALL 75.0 IN. BMS7-234 F25.01) (USED ON ITEMS 5P, 5Q, 5R, 5S, 5T)	A-BH, BP-BZ ,HY-J J	1
-53B	272T6100-171		..TUBE ASSY- (MFD FROM TUBE TITANIUM 3AL-2.5V 3/8 OD X .019 WALL 73.0IN BMS7-234 F25.01) (USED ON ITEMS 4A, 4B, 5U, 5V, 5W, 5X, 5Z) (PRE SB 767-32-0162)	A-BH, BP-BZ ,HY-J J	1
-53C	272T6100-225		..TUBE ASSY (POST SB 767-32-0162)	A-BH, BP-BZ ,HY-J J	1

# 32-11-20

 ILLUSTRATED PARTS LIST  
 01.1 Page 1048T  
 Nov 01/05

 **BOEING**  
COMPONENT  
MAINTENANCE MANUAL

FIG. & ITEM	PART NO.	AIRLINE PART NUMBER	NOMENCLATURE 1234567	EFF CODE	QTY PER ASSY
02- -56 -59	272T6100-148 272T6100-148		DELETED ..TUBE ASSY- (MFD FROM TUBE TITANIUM 3AL-2.5V 3/8 OD X .019 WALL 73.0 IN. BMS7-234 F25.01) (ITEM 62 AND ITEM 59 ARE TOGETHER OPTIONAL TO ITEM 65) (USED ON ITEMS 6J, 6K, 6L)	CA-EF ,EM,E Q-EZ, JK-JV	1
-62	272T6100-146		..TUBE ASSY- (ITEM 62 AND ITEM 59 ARE TOGETHER OPTIONAL TO ITEM 65) (USED ON ITEMS 6J, 6K, 6L)	CA-EF ,EM,E Q-EZ, JK-JV	1
-65	272T6100-166		..TUBE ASSY- (MFD FROM TUBE TITANIUM 3AL-2.5V 3/8 OD X .019 WALL 73.0 IN. BMS7-234 F25.01) (ITEM 62 AND ITEM 59 ARE TOGETHER OPTIONAL TO ITEM 65) (USED ON ITEMS 6J, 6K, 6L) (POST SB 767-32-0162)	CA-EF ,EM,E Q-EZ, JK-JV	1
-65A	272T6100-166		..TUBE ASSY- (MFD FROM TUBE TITANIUM 3AL-2.5V 3/8 OD X .019 WALL 73.0 IN. BMS7-234 F25.01) (USED ON ITEMS 6P, 6Q, 6R, 6S, 6T, 6V, 6W) (PRE SB 767-32-0162)	CA-EF ,EM,E Q-EZ, JK-JV	1
-65B	272T6100-226		..TUBE ASSY (POST SB 767-32-0162)	CA-EF ,EM,E Q-EZ, JK-JV	1

**32-11-20**

ILLUSTRATED PARTS LIST  
01.1 Page 1048U  
Nov 01/05

FIG. & ITEM	PART NO.	AIRLINE PART NUMBER	NOMENCLATURE 1234567	EFF CODE	QTY PER ASSY
02-68 71	272T6100-143 272T6100-143		DELETED ..TUBE ASSY- (MFD FROM TUBE TITANIUM 3AL-2.5V 3/8 OD X .019 WALL 75.0 IN. BMS7-234 F25.01) (ITEM 74 AND ITEM 71 ARE TOGETHER OPTIONAL TO ITEM 77) (USED ON ITEMS 5J, 5K, 5L)	A-BH, BP-BZ ,HY-J J	1
74	272T6100-141		..TUBE ASSY- (ITEM 74 AND ITEM 71 ARE TOGETHER OPTIONAL TO ITEM 77) (USED ON ITEMS 5J, 5K, 5L)	A-BH, BP-BZ ,HY-J J	1
77	272T6100-163		..TUBE ASSY- (MFD FROM TUBE TITANIUM 3AL-2.5V 3/8 OD X .019 WALL 75.0 IN. BMS7-234 F25.01) (ITEM 74 AND ITEM 71 ARE TOGETHER OPTIONAL TO ITEM 77) (USED ON ITEMS 5J, 5K, 5L)	A-BH, BP-BZ ,HY-J J	1
-77A	272T6100-163		(PRE SB 767-32-0162) ..TUBE ASSY- (MFD FROM TUBE TITANIUM 3AL-2.5V 3/8 OD X .019 WALL 75.0 IN. BMS7-234 F25.01) (USED ON ITEMS 5P, 5Q, 5R, 5S, 5T, 5U, 5V, 5W) (PRE SB 767-32-0162)	A-BH, BP-BZ ,HY-J J	1
-77B	272T6100-223		..TUBE ASSY (POST SB 767-32-0162)	A-BH, BP-BZ ,HY-J J	1

# 32-11-20

 ILLUSTRATED PARTS LIST  
 01.1 Page 1048V  
 Nov 01/05

FIG. & ITEM	PART NO.	AIRLINE PART NUMBER	NOMENCLATURE 1234567	EFF CODE	QTY PER ASSY
02- -80 -83	272T6100-144 272T6100-144		DELETED ..TUBE ASSY- (MFD FROM TUBE TITANIUM 3AL-2.5V 3/8 OD X .019 WALL 75.0 IN. BMS7-234 F25.01) (ITEM 86 AND ITEM 83 ARE TOGETHER OPTIONAL TO ITEM 89) (USED ON ITEMS 6J, 6K, 6L)	CA-EF ,EM,E Q-EZ, JK-JV	1
-86	272T6100-142		..TUBE ASSY- (ITEM 86 AND ITEM 83 ARE TOGETHER OPTIONAL TO ITEM 89) (USED ON ITEMS 6J, 6K, 6L)	CA-EF ,EM,E Q-EZ, JK-JV	1
-89	272T6100-164		..TUBE ASSY- (MFD FROM TUBE TITANIUM 3AL-2.5V 3/8 OD X .019 WALL 75.0 IN. BMS7-234 F25.01) (ITEM 86 AND ITEM 83 ARE TOGETHER OPTIONAL TO ITEM 89) (USED ON ITEM 6J, 6K, 6L) (PRE SB 767-32-0162)	CA-EF ,EM,E Q-EZ, JK-JV	1
-89A	272T6100-164		..TUBE ASSY- (MFD FROM TUBE TITANIUM 3AL-2.5V 3/8 OD X .019 WALL 75.0 IN. BMS7-234 F25.01) (USED ON ITEM 6P, 6Q, 6R, 6S, 6T, 6V, 6W) (PRE SB 767-32-0162)	CA-EF ,EM,E Q-EZ, JK-JV	1
-89B	272T6100-224		..TUBE ASSY (POST SB 767-32-0162)	CA-EF ,EM,E Q-EZ, JK-JV	1

**32-11-20**



FIG. & ITEM	PART NO.	AIRLINE PART NUMBER	NOMENCLATURE 1234567	EFF CODE	QTY PER ASSY
02-92 95	272T6100-139 272T6100-139		DELETED ..TUBE ASSY- (ITEM 98 AND ITEM 95 ARE TOGETHER OPTIONAL TO ITEM 101) (USED ON ITEMS 5J, 5K, 5L)	A-BH, BP-BZ ,HY-J J	1
98	272T6100-137		..TUBE ASSY- (ITEM 98 AND ITEM 95 ARE TOGETHER OPTIONAL TO ITEM 101) (USED ON ITEMS 5J, 5K, 5L)	A-BH, BP-BZ ,HY-J J	1
101	272T6100-161		..TUBE ASSY- (MFD FROM TUBING TITANIUM 3AL-2.5V 3/80D X .019 WALL 25.0IN BMS7-234 F25.01) (ITEM 98 AND ITEM 95 ARE TOGETHER OPTIONAL TO ITEM 101) (USED ON ITEMS 5J, 5K, 5L) (PRE SB 767-32-0162)	A-BH, BP-BZ ,HY-J J	1
-101A	272T6100-161		..TUBE ASSY- (MFD FROM TUBING TITANIUM 3AL-2.5V 3/80D X .019 WALL 25.0IN BMS7-234 F25.01) (USED ON ITEMS 5P, 5Q, 5R, 5S, 5T, 5U, 5V, 5W) (PRE SB 767-32-0162)	A-BH, BP-BZ ,HY-J J	1

# 32-11-20

 ILLUSTRATED PARTS LIST  
 01.1 Page 1048X  
 Nov 01/05

 **BOEING**  
COMPONENT  
MAINTENANCE MANUAL

FIG. & ITEM	PART NO.	AIRLINE PART NUMBER	NOMENCLATURE 1234567	EFF CODE	QTY PER ASSY
02- -101B	272T6100-221		..TUBE ASSY (POST SB 767-32-0162)	A-BH, BP-BZ ,HY-J J	1
-104 -107	272T6100-140 272T6100-140		DELETED ..TUBE ASSY- (ITEM 110 AND ITEM 107 ARE TOGETHER OPTIONAL TO ITEM 113) (USED ON ITEMS 6J, 6K, 6L)	CA-EF ,EM,E Q-EZ, JK-JV	1
-110	272T6100-138		..TUBE ASSY- (ITEM 110 AND ITEM 107 ARE TOGETHER OPTIONAL TO ITEM 113) (USED ON ITEMS 6J, 6K, 6L)	CA-EF ,EM,E Q-EZ, JK-JV	1
-113	272T6100-162		..TUBE ASSY- (MFD FROM TUBING TITANIUM 3AL-2.5V 3/80D X .019 WALL 25.0IN BMS7-234 F25.01) (ITEM 110 AND ITEM 107 ARE TOGETHER OPTIONAL TO ITEM 113) (USED ON ITEMS 6J, 6K, 6L) (PRE SB 767-32-0162)	CA-EF ,EM,E Q-EZ, JK-JV	1
-113A	272T6100-162		..TUBE ASSY- (MFD FROM TUBING TITANIUM 3AL-2.5V 3/80D X .019 WALL 25.0IN BMS7-234 F25.01) (USED ON ITEMS 6P, 6Q, 6R, 6S, 6T, 6V, 6W) (PRE SB 767-32-0162)	CA-EF ,EM,E Q-EZ, JK-JV	1
-113B	272T6100-222		..TUBE ASSY (POST SB 767-32-0162)	CA-EF ,EM,E Q-EZ, JK-JV	1

**32-11-20**

ILLUSTRATED PARTS LIST  
01.1 Page 1048Y  
Nov 01/05

FIG. & ITEM	PART NO.	AIRLINE PART NUMBER	NOMENCLATURE 1234567	EFF CODE	QTY PER ASSY
02-116	272T6100-131		DELETED		
119	272T6100-131		..TUBE ASSY- (ITEM 122 AND ITEM 119 ARE TOGETHER OPTIONAL TO ITEM 125) (USED ON ITEMS 5J, 5K, 5L)	A-BH, BP-BZ ,HY-J J	1
122	272T6100-129		..TUBE ASSY- (ITEM 122 AND ITEM 119 ARE TOGETHER OPTIONAL TO ITEM 125) (USED ON ITEMS 5J, 5K, 5L) TO ITEM 125) (USED ON ITEMS 5J, 5K, 5L)	A-BH, BP-BZ ,HY-J J  J	1
-125A	272T6100-167		..TUBE ASSY- (USED ON ITEMS 5P, 5Q, 5R, 5S, 5T, 5U, 5V, 5W)	A-BH, BP-BZ ,HY-J J	1
-128	272T6100-132		DELETED		
-131	272T6100-132		..TUBE ASSY- (ITEM 134 AND ITEM 131 ARE TOGETHER OPTIONAL TO ITEM 137) (USED ON ITEMS 6J, 6K, 6L)	CA-EF ,EM,E Q-EZ, JK-JV	1
-134	272T6100-130		..TUBE ASSY- (ITEM 134 AND ITEM 131 ARE TOGETHER OPTIONAL TO ITEM 137) (USED ON ITEMS 6J, 6K, 6L)	CA-EF ,EM,E Q-EZ, JK-JV	1

# 32-11-20

 ILLUSTRATED PARTS LIST  
 01.1 Page 1048Z  
 Nov 01/05

 **BOEING**  
COMPONENT  
MAINTENANCE MANUAL

FIG. & ITEM	PART NO.	AIRLINE PART NUMBER	NOMENCLATURE 1234567	EFF CODE	QTY PER ASSY
02- -137	272T6100-168		..TUBE ASSY- (ITEM 134 AND ITEM 131 ARE TOGETHER OPTIONAL TO ITEM 137) (USED ON ITEMS 6J, 6K, 6L)	CA-EF ,EM,E Q-EZ, JK-JV	1
-137A	272T6100-168		..TUBE ASSY- (USED ON ITEMS 6P, 6Q, 6R, 6S, 6T, 6V, 6W)	CA-EF ,EM,E Q-EZ, JK-JV	1
140 143	272T6100-135 272T6100-135		DELETED ..TUBE ASSY- (ITEM 146 AND ITEM 143 ARE TOGETHER OPTIONAL TO ITEM 149) (USED ON ITEMS 5J, 5K, 5L)	A-BH, BP-BZ ,HY-J J	1
146	272T6100-133		..TUBE ASSY- (ITEM 146 AND ITEM 143 ARE TOGETHER OPTIONAL TO ITEM 149) (USED ON ITEMS 5J, 5K, 5L)	A-BH, BP-BZ ,HY-J J	1
149	272T6100-159		..TUBE ASSY- (MFD FROM TUBING TITANIUM 3AL-2.5V 3/80D X .019 WALL 25.0IN BMS7-234 F25.01) (ITEM 146 AND ITEM 143 ARE TOGETHER OPTIONAL TO ITEM 149) (USED ON ITEMS 5J, 5K, 5L) (PRE SB 767-32-0162)	A-BH, BP-BZ ,HY-J J	1

**32-11-20**

ILLUSTRATED PARTS LIST  
01.1 Page 1049  
Nov 01/05

FIG. & ITEM	PART NO.	AIRLINE PART NUMBER	NOMENCLATURE 1234567	EFF CODE	QTY PER ASSY
02- -149A	272T6100-159		..TUBE ASSY- (MFD FROM TUBING TITANIUM 3AL-2.5V 3/80D X .019 WALL 25.0IN BMS7-234 F25.01) (USED ON ITEMS 5P, 5Q, 5R, 5S, 5T, 5U, 5V, 5W) (PRE SB 767-32-0162)	A-BH, BP-BZ ,HY-J J	1
-149B	272T6100-219		..TUBE ASSY (POST SB 767-32-0162)	A-BH, BP-BZ ,HY-J J	1
-152	272T6100-136		DELETED		
-155	272T6100-136		..TUBE ASSY- (ITEM 158 AND ITEM 155 ARE TOGETHER OPTIONAL TO ITEM 161) (USED ON ITEMS 6J, 6K, 6L)	CA-EF ,EM,E Q-EZ, JK-JV	1
-158	272T6100-134		..TUBE ASSY- (ITEM 158 AND ITEM 155 (ITEM 158 AND ITEM 155 ARE TOGETHER OPTIONAL TO ITEM 161) (USED ON ITEMS 6J, 6K, 6L)	CA-EF ,EM,E Q-EZ, JK-JV	1
-161	272T6100-160		..TUBE ASSY- (MFD FROM TUBING TITANIUM 3AL-2.5V 3/80D X .019 WALL 25.0IN BMS7-234 F25.01) (ITEM 158 AND ITEM 155 ARE TOGETHER OPTIONAL TO ITEM 161) (USED ON ITEMS 6J, 6K, 6L) (PRE SB 767-32-0162)	CA-EF ,EM,E Q-EZ, JK-JV	1

# 32-11-20

 ILLUSTRATED PARTS LIST  
 01.1 Page 1050  
 Nov 01/05

FIG. & ITEM	PART NO.	AIRLINE PART NUMBER	NOMENCLATURE 1234567	EFF CODE	QTY PER ASSY
02- -161A	272T6100-160		..TUBE ASSY- (MFD FROM TUBING TITANIUM 3AL-2.5V 3/8OD X .019 WALL 25.0IN BMS7-234 F25.01) (USED ON ITEMS 6P, 6Q, 6R, 6S, 6T, 6V, 6W) (PRE SB 767-32-0162)	CA-EF ,EM,E Q-EZ, JK-JV	1
-161B	272T6100-220		..TUBE ASSY (POST SB 767-32-0162)	CA-EF ,EM,E Q-EZ, JK-JV	1
164 167	272T6100-119 272T6100-155		DELETED ..TUBE ASSY- (MFD FROM TUBE TITANIUM 3AL-2.5V 3/8 OD X .019 WALL 25.0 IN. BMS7-234 F25.01)	A-BH, BP-BZ ,HY-J J	1
-170 -173	272T6100-120 272T6100-156		DELETED ..TUBE ASSY- (MFD FROM TUBE TITANIUM 3AL-2.5V 3/8 OD X .019 WALL X 23.0. BMS7-234 F25.01) (USED ON ITEMS 6J, 6K, 6L, 6Q, 6R, 6S, 6T,6V)	CA-EF ,EM,E Q-EZ, JK-JV	1
176 179	272T6100-123 272T6100-157		DELETED ..TUBE ASSY- (MFD FROM TUBE TITANIUM 3AL-2.5V 3/8 OD X .019 WALL X 23.0 IN. BMS7-234 F25.01)	A-BH, BP-BZ ,HY-J J	1

32-11-20

FIG. & ITEM	PART NO.	AIRLINE PART NUMBER	NOMENCLATURE 1234567	EFF CODE	QTY PER ASSY
02- -182 -185	272T6100-124 272T6100-158		DELETED ..TUBE ASSY- (MFD FROM TUBE TITANIUM 3AL-2.5V 3/8 OD X .019 WALL 28.0 IN. BMS7-234 F25.01) (USED ON ITEMS 6J, 6K, 6L, 6Q, 6R, 6S, 6T, 6V)	CA-EF ,EM,E Q-EZ, JK-JV	1
-188	AS1581T06		...SLEEVE	A-BH, BP-EF ,EM,E Q-EZ, HY-JV	2
-191	AFP107-6		...NUT- (V30974) (SPEC BACN10NR6) (OPT AP1028T6 (V01673)) (OPT BC921T6 (V50948)) (OPT DBON10NR6 (V14798)) (OPT ER01921-6T (V88334)) (OPT FER8928-6 (V14397)) (OPT F11-6 (V73197)) (OPT 2-03005T6 (V11328)) (OPT 31783-6 (V14397)) (OPT ITEM 191A) (USED ON ITEMS 47,50,53, 53A,59,62,71,74,83,86,95 98,107,110,119,122,131, 134,143,146,155,158)	A-BH, BP-EF ,EM,E Q-EZ, HY-JV	2

# 32-11-20

 ILLUSTRATED PARTS LIST  
 01.1 Page 1050B  
 Nov 01/05

FIG. & ITEM	PART NO.	AIRLINE PART NUMBER	NOMENCLATURE 1234567	EFF CODE	QTY PER ASSY
02- -191A	BACN10YA6		...NUT- (OPT ITEM 191) (USED ON ITEMS 47,50,53, 53A,59,62,71,74,83,86, 95,98,107,110,119,122, 131,134,143,146,155,158)	A-BH, BP-EF ,EM,E Q-EZ, HY-JV	2
-191B	AFP107-6		...NUT- (V30974) (SPEC BACN10NR6) (OPT AP1028T6 (V01673)) (OPT BC921T6 (V50948)) (OPT DBON10NR6 (V14798)) (OPT ER01921-6T (V88334)) (OPT FER8928-6 (V14397)) (OPT F11-6 (V73197)) (OPT 2-03005T6 (V11328)) (OPT 31783-6 (V14397)) (OPT ITEMS 191C,191D) (USED ON ITEMS 65,65A, 77,77A,89,89A,101,101A, 113,113A,149,149A,161, 161A)	A-BH, BP-EF ,EM,E Q-EZ, HY-JV	2
-191C	BACN10YA6		...NUT- (OPT ITEMS 191B,191D) (USED ON ITEMS 65,65A, 77,77A,89,89A,101,101A, 113,113A,149,149A,161, 161A)	A-BH, BP-EF ,EM,E Q-EZ, HY-JV	2
-191D	BACN10YA6L		...NUT- (OPT ITEMS 191B,191C) (USED ON ITEMS 65,65A, 77,77A,89,89A,101,101A, 113,113A,149,149A,161, 161A)	A-BH, BP-EF ,EM,E Q-EZ, HY-JV	2

32-11-20



FIG. & ITEM	PART NO.	AIRLINE PART NUMBER	NOMENCLATURE 1234567	EFF CODE	QTY PER ASSY
02- -191E	BACN10YA6		...NUT- (OPT ITEMS 191F) (USED ON ITEMS 125,125A 137,137A,167,173,179, 185)	A-BH, BP-EF ,EM,E Q-EZ, HY-JV	2
-191F	BACN10YA6L		...NUT- (OPT ITEMS 191E) (USED ON ITEMS 125,125A 137,137A,167,173,179, 185)	A-BH, BP-EF ,EM,E Q-EZ, HY-JV	2
-191G	BACN10YA6L		...NUT- (OPT ITEMS 191H) (USED ON ITEM 53B)	A-BH, BP-BZ ,HY-J J	2
-191H	BACN10YA6N		...NUT- (OPT ITEMS 191G) (USED ON ITEM 53B)	A-BH, BP-BZ ,HY-J J	2
-191J	BACN10YA6		...NUT- (USED ON ITEMS 53C, 65B, 77B, 89B, 101B, 113B, 149B, 161B)	A-BH, BP-EF ,EM,E Q-EZ, HY-JV	2
194	272T6100-152		..TUBE ASSY- (MFD FROM TUBING TITANIUM 3AL-2.5V 5/80D X .032 WALL BMS7-234 F25.01) (PRE SB 767-32-0162)	A-BH, BP-BZ ,HY-J J	1
-194A	272T6100-217		..TUBE ASSY (POST SB 767-32-0162)	A-BH, BP-BZ ,HY-J J	1
-197	272T6100-153		..TUBE ASSY- (MFD FROM TUBING TITANIUM 3AL-2.5V 3/80D X .019 WALL 25.0IN BMS7-234 F25.01) (PRE SB 767-32-0162)	CA-EF ,EM,E Q-EZ, JK-JV	1
-197A	272T6100-218		..TUBE ASSY- (POST SB 767-32-0162)	CA-EF ,EM,E Q-EZ, JK-JV	1

# 32-11-20

 ILLUSTRATED PARTS LIST  
 01.1 Page 1050D  
 Nov 01/05

 **BOEING**  
COMPONENT  
MAINTENANCE MANUAL

FIG. & ITEM	PART NO.	AIRLINE PART NUMBER	NOMENCLATURE 1234567	EFF CODE	QTY PER ASSY
02-200	272T6100-150		..TUBE ASSY- (MFD FROM TUBING TITANIUM 3AL-2.5V 3/80D X .019 WALL 25.0IN BMS7-234 F25.01) (PRE SB 767-32-0162)	A-BH, BP-BZ ,HY-J J	1
-200A	272T6100-227		..TUBE ASSY- (POST SB 767-32-0162)	A-BH, BP-BZ ,HY-J J	1
203	272T6100-127		DELETED		
206	272T6100-127		..TUBE ASSY- (ITEM 206 AND ITEM 209 ARE TOGETHER OPTIONAL TO ITEM 212) (USED ON ITEMS 5J, 5K, 5L)	A-BH, BP-BZ ,HY-J J	1
209	272T6100-149		..TUBE ASSY- (ITEM 206 AND ITEM 209 ARE TOGETHER OPTIONAL TO ITEM 212) (USED ON ITEMS 5J, 5K, 5L)	A-BH, BP-BZ ,HY-J J	1
212	272T6100-169		..TUBE ASSY- (ITEM 206 AND ITEM 209 ARE TOGETHER OPTIONAL TO ITEM 212) (USED ON ITEMS 5J, 5K, 5L)	A-BH, BP-BZ ,HY-J J	1
-212A	272T6100-169		..TUBE ASSY- (USED ON ITEMS 5P, 5Q, 5R, 5S, 5T, 5U, 5V, 5W)	A-BH, BP-BZ ,HY-J J	1
-215	272T6100-151		..TUBE ASSY- (MFD FROM TUBING TITANIUM 3AL-2.5V 3/80D X .019 WALL 25.0IN BMS7-234 F25.01) (PRE SB 767-32-0162)	CA-EF ,EM,E Q-EZ, JK-JV	1
-215A	272T6100-216		..TUBE ASSY (POST SB 767-32-0162)	CA-EF ,EM,E Q-EZ, JK-JV	1
-218	272T6100-128		DELETED		

**32-11-20**

ILLUSTRATED PARTS LIST  
01.1 Page 1050E  
Nov 01/05

FIG. & ITEM	PART NO.	AIRLINE PART NUMBER	NOMENCLATURE 1234567	EFF CODE	QTY PER ASSY
02- -221	272T6100-128		..TUBE ASSY- (ITEM 224 AND ITEM 221 ARE TOGETHER OPTIONAL TO ITEM 227) (USED ON ITEMS 6J, 6K, 6L)	CA-EF ,EM,E Q-EZ, JK-JV	1
-224	272T6100-126		..TUBE ASSY- (ITEM 224 AND ITEM 221 ARE TOGETHER OPTIONAL TO ITEM 227) (USED ON ITEMS 6J, 6K, 6L)	CA-EF ,EM,E Q-EZ, JK-JV	1
-227	272T6100-170		..TUBE ASSY- (ITEM 224 AND ITEM 221 ARE TOGETHER OPTIONAL TO ITEM 227) (USED ON ITEMS 6J, 6K, 6L)	CA-EF ,EM,E Q-EZ, JK-JV	1
-227A	272T6100-170		..TUBE ASSY- (USED ON ITEMS 6P, 6Q, 6R, 6S, 6T, 6V, 6W)	CA-EF ,EM,E Q-EZ, JK-JV	1
-230	AS1581T10		...SLEEVE- (USED ON ITEMS 194, 194A, 197, 197A, 206, 209, 212, 212A, 221, 224, 227, 227A)	A-BH, BP-EF ,EM,E Q-EZ, HY-JV	2
-230A	AS1581T6		DELETED		
-230B	AS1581T06		...SLEEVE- (USED ON ITEMS 200, 200A, 215, 215A)	A-BH, BP-EF ,EM,E Q-EZ, HY-JV	2

# 32-11-20

 ILLUSTRATED PARTS LIST  
 01.1 Page 1050F  
 Nov 01/05

FIG. & ITEM	PART NO.	AIRLINE PART NUMBER	NOMENCLATURE 1234567	EFF CODE	QTY PER ASSY
02- -233	AFP107-10		...NUT- (V30974) (SPEC BACN10NR10) (OPT AP1028T10 (V01673)) (OPT BC921T10 (V50948)) (OPT DBON10NR10 (V14798)) (OPT ER01921-10T (V88334)) (OPT FER8928-10 (V14397)) (OPT F11-10 (V73197)) (OPT 2-03005T10 (V11328)) (OPT 31783-10 (V14397)) (OPT ITEM 233A) (USED ON ITEMS 206,209, 212,212A,221,224,227, 227A)	A-BH, BP-EF ,EM,E Q-EZ, HY-JV	2
-233A	BACN10YA10		...NUT- (OPT ITEM 233) (USED ON ITEMS 206, 209, 212, 212A, 221, 224, 227, 227A)	A-BH, BP-EF ,EM,E Q-EZ, HY-JV	2

**32-11-20**

ILLUSTRATED PARTS LIST  
01.1 Page 1050G  
Nov 01/05

FIG. & ITEM	PART NO.	AIRLINE PART NUMBER	NOMENCLATURE 1234567	EFF CODE	QTY PER ASSY
02- -233B	AFP107-6		...NUT- (V30974) (SPEC BACN10NR6) (OPT AP1028T6 (V01673)) (OPT BC921T6 (V50948)) (OPT DBON10NR6 (V14798)) (OPT ER01921-6T (V88334)) (OPT FER8928-6 (V14397)) (OPT F11-6 (V73197)) (OPT 2-03005T6 (V11328)) (OPT 31783-6 (V14397)) (OPT ITEMS 233C,233D) (USED ON ITEMS 200, 215)	A-BH, BP-EF ,EM,E Q-EZ, HY-JV	2
-233C	BACN10YA6L		...NUT- (OPT ITEMS 233B,233D) (USED ON ITEMS 200, 215)	A-BH, BP-EF ,EM,E Q-EZ, HY-JV	2
-233D	BACN10YA6		...NUT- (OPT ITEMS 233B,233C) (USED ON ITEMS 200, 215)	A-BH, BP-EF ,EM,E Q-EZ, HY-JV	2
-233E	BACN10YA10		...NUT- (OPT ITEM 233F) (USED ON ITEMS 194,197)	A-BH, BP-EF ,EM,E Q-EZ, HY-JV	2
-233F	BACN10YA10N		...NUT- (OPT ITEM 233E) (USED ON ITEMS 194,197)	A-BH, BP-EF ,EM,E Q-EZ, HY-JV	2

# 32-11-20

 ILLUSTRATED PARTS LIST  
 01.1 Page 1050H  
 Nov 01/05

 **BOEING**  
COMPONENT  
MAINTENANCE MANUAL

FIG. & ITEM	PART NO.	AIRLINE PART NUMBER	NOMENCLATURE 1234567	EFF CODE	QTY PER ASSY
02- -233G	BACN10YA10		...NUT- (USED ON ITEMS 194A, 197A)	A-BH, BP-EF ,EM,E Q-EZ, HY-JV	2
-233H	BACN10YA6		...NUT- (USED ON ITEMS 200A, 215A)	A-BH, BP-EF ,EM,E Q-EZ, HY-JV	2
236	BACB30PU5-18		..BOLT	A-BH, BP-EF ,EM,E Q-EZ, HY-JV	2
239	AN960PD416L		..WASHER- (USED ON ITEMS 5J, 5K, 5L, 5P, 5Q, 5R, 5S, 5T, 5U, 5V, 6J, 6K, 6L, 6P, 6Q, 6R, 6S, 6T, 6V)	A-BH, BP-EF ,EM,E Q-EZ, HY-JV	2
239A	AN960JD416L		..WASHER- (USED ON ITEMS 5W, 6W)	A-BH, BP-EF ,EM,E Q-EZ, HY-JV	2
242	BRH10A4		..NUT- (V52828) (SPEC BACN10JC4) (OPT T6S428J (V11815)) (OPT 96-048 (V80539)) (OPT VN303A048 (V92215)) (OPT RMLH9075-4W (V72962)) (OPT NS202101-048 (V80539)) (OPT H10-4BAC (V15653)) (USED ON ITEMS 5J, 5K, 5L, 5P, 5Q, 5R, 5S, 5T, 5U, 5V, 6J, 6K, 6L, 6P, 6Q, 6R, 6S, 6T, 6V)	A-BH, BP-EF ,EM,E Q-EZ, HY-JV	2

**32-11-20**

ILLUSTRATED PARTS LIST  
01.1 Page 1050I  
Nov 01/05

FIG. & ITEM	PART NO.	AIRLINE PART NUMBER	NOMENCLATURE 1234567	EFF CODE	QTY PER ASSY
02- -242A	MS21042L4		..NUT- (USED ON ITEMS 5W, 6W)	A-BH, BP-EF ,EM,E Q-EZ, HY-JV	2
245	NAS1801-3-30		..SCREW	A-BH, BP-EF ,EM,E Q-EZ, HY-JV	8
248	AN960PD10L		..WASHER- (USED ON ITEMS 5J, 5K, 5L, 5P, 5Q, 5R, 5S, 5T, 5U, 5V, 6J, 6K, 6L, 6P, 6Q, 6R, 6S, 6T, 6V)	A-BH, BP-EF ,EM,E Q-EZ, HY-JV	16
-248A	AN960JD10L		..WASHER- (UESD ON ITEMS 5W, 6W)	A-BH, BP-EF ,EM,E Q-EZ, HY-JV	16
251	H10-3BAC		..NUT- (V15653) (SPEC BACN10JC3) (OPT NS202101-02 (V80539)) (OPT RMLH9075-3W (V72962)) (OPT T6S1032J (V71087)) (OPT VN303A02 (V92215)) (OPT 96-02 (V80539)) (OPT BRH10A3 (V52828)) (USED ON ITEMS 5J, 5K, 5L, 5P, 5Q, 5R, 5S, 5T, 5U, 5V, 6J, 6K, 6L, 6P, 6Q, 6R, 6S, 6T, 6V)	A-BH, BP-EF ,EM,E Q-EZ, HY-JV	8

# 32-11-20

 ILLUSTRATED PARTS LIST  
 01.1 Page 1050J  
 Nov 01/05

FIG. & ITEM	PART NO.	AIRLINE PART NUMBER	NOMENCLATURE 1234567	EFF CODE	QTY PER ASSY
02- -251A	H52732-3CD		..NUT- (V15653) (SPEC BACN10YR3CD) (OPT PLH53CD (V62554)) (USED ON ITEMS 5W, 6W)	A-BH, BP-EF ,EM,E Q-EZ, HY-JV	8
254	272T6129-2		..COVER	A-BH, BP-EF ,EM,E Q-EZ, HY-JV	2
257	272T6129-4		..SADDLE	A-BH, BP-EF ,EM,E Q-EZ, HY-JV	1
260	272T6129-1		..SADDLE ASSY	A-BH, BP-EF ,EM,E Q-EZ, HY-JV	1
263	BACB28X5M026		...BUSHING	A-BH, BP-EF ,EM,E Q-EZ, HY-JV	2
266	272T6129-3		...SADDLE	A-BH, BP-EF ,EM,E Q-EZ, HY-JV	1

**32-11-20**

ILLUSTRATED PARTS LIST  
01.1 Page 1050K  
Nov 01/05



FIG. & ITEM	PART NO.	AIRLINE PART NUMBER	NOMENCLATURE 1234567	EFF CODE	QTY PER ASSY
02-269	270T0004-483		..BLOCK	A-BH, BP-EF ,EM,E Q-EZ, HY-JV	4
-272	274T6100-1		..DISCONNECT INSTL- (PRE SB 767-32A0125) (PRE SB 767-32-0132)	A-BH, BP-EF ,EM,E Q-EZ, HY-JV	4
272A	274T6100-2		..DISCONNECT INSTL- (POST SB 767-32A0125) (PRE SB 767-32-0132)	A-BH, BP-EF ,EM,E Q-EZ, HY-JV	4
-272B	274T6100-3		..DISCONNECT INSTL- (POST SB-767-32-0132)	A-BH, BP-EF ,EM,E Q-EZ, HY-JV	4
273	274T6101-1		...PLATE-RETAINER (USED ON ITEM 272A)	A-BH, BP-EF ,EM,E Q-EZ, HY-JV	1
273E	274T6101-2		...PLATE-RETAINER (USED ON ITEM 272A)	A-BH, BP-EF ,EM,E Q-EZ, HY-JV	1

# 32-11-20

 ILLUSTRATED PARTS LIST  
 01.1 Page 1050L  
 Nov 01/05

 **BOEING**  
COMPONENT  
MAINTENANCE MANUAL

FIG. & ITEM	PART NO.	AIRLINE PART NUMBER	NOMENCLATURE 1234567	EFF CODE	QTY PER ASSY
02-273J	274T6101-3		...PLATE-RETAINER (USED ON ITEM 272A)	A-BH, BP-EF ,EM,E Q-EZ, HY-JV	1
274	NAS6704U17		...BOLT- (USED ON ITEM 272A)	A-BH, BP-EF ,EM,E Q-EZ, HY-JV	4
274E	NAS1057T4-097		...SPACER- (USED ON ITEM 272A)	A-BH, BP-EF ,EM,E Q-EZ, HY-JV	4
274J	NAS1149C0463R		...WASHER- (USED ON ITEM 272A)	A-BH, BP-EF ,EM,E Q-EZ, HY-JV	4
274N	NAS1149C0416R		...WASHER- (USED ON ITEM 272A)	A-BH, BP-EF ,EM,E Q-EZ, HY-JV	4
274T	H52732-4C		...NUT- (V15653) (SPEC BACN10YR4C) (OPT PLH54C (V62554)) (USED ON ITEM 272A) (OPT ITEM 274U)	A-BH, BP-EF ,EM,E Q-EZ, HY-JV	4

**32-11-20**

ILLUSTRATED PARTS LIST  
01.1 Page 1050M  
Nov 01/05

FIG. & ITEM	PART NO.	AIRLINE PART NUMBER	NOMENCLATURE 1234567	EFF CODE	QTY PER ASSY
02- -274U	BRH10C4		...NUT- (V52828) (SPEC BACN10JC4C) (OPT T6C428J (V11815)) (OPT 97-048 (V80539)) (OPT 101LH9075-4W (V72962)) (OPT VN303B048 (V92215)) (OPT NS202101S048 (V80539)) (OPT H31-4BAC (V15653)) (OPT ITEM 274T)	A-BH, BP-EF ,EM,E Q-EZ, HY-JV	4
275	BACB30MR4HK2		...BOLT	A-BH, BP-EF ,EM,E Q-EZ, HY-JV	4
277	BACW10BN4C		...WASHER- (OPT ITEM 277A)	A-BH, BP-EF ,EM,E Q-EZ, HY-JV	4
-277A	BACW10BP4ACU		...WASHER- (OPT ITEM 277)	A-BH, BP-EF ,EM,E Q-EZ, HY-JV	4

# 32-11-20

 ILLUSTRATED PARTS LIST  
 01.1 Page 1050N  
 Nov 01/05

 **BOEING**  
COMPONENT  
MAINTENANCE MANUAL

FIG. & ITEM	PART NO.	AIRLINE PART NUMBER	NOMENCLATURE 1234567	EFF CODE	QTY PER ASSY
02-279	C11236-211B		...RING- (V26879) (SPEC BACR12BM211) (OPT RMR12BM211 (V94878)) (OPT STF800-211 (V02107)) (OPT S30294-211-1 (V97820)) (OPT TF450-211A (V07128)) (OPT 2100-211 (V26303))	A-BH, BP-EF ,EM,E Q-EZ, HY-JV	2
281	NAS1611-211		...PACKING	A-BH, BP-EF ,EM,E Q-EZ, HY-JV	1
283	591200-1		...DISCONNECT- (V11362) (SPEC S274T610-1) (591200-41 (S274T610-4), DISCONNECT ASSEMBLY I/W 591200-1 OR -4 (S274T610-1), DISCONNECT ASSEMBLY ONLY ON THE STEEL BRAKE 274T6100-1 DISCONNECT INSTALLATION. THE 591200-41 (S274T610-4) DISCONNECT ASSEMBLY IS NOT I/W THE 591200-1 OR -4 (S274T610-1) ON THE CARBON BRAKE WITH RETAINER PLATES 274T6100-2 INSTALLATION. THE S274T610-1 IS NOT I/W THE S274T610-4 ON THE CARBON BRAKE 274T6100-3 INSTALLATION) (OPT 591200-4 (V11362))	A-BH, BP-EF ,EM,E Q-EZ, HY-JV	1

**32-11-20**

ILLUSTRATED PARTS LIST  
01.1 Page 10500  
Nov 01/05

FIG. & ITEM	PART NO.	AIRLINE PART NUMBER	NOMENCLATURE 1234567	EFF CODE	QTY PER ASSY
02- -283A	591200-41		...DISCONNECT- (V11362) (SPEC S274T610-4) (USED ON ITEM 272B) (591200-41 (S274T610-4), DISCONNECT ASSEMBLY I/W 591200-1 OR -4 (S274T610-1), DISCONNECT ASSEMBLY ONLY ON THE STEEL BRAKE 274T6100-1 DISCONNECT INSTALLATION. THE 591200-41 (S274T610-4) DISCONNECT ASSEMBLY IS NOT I/W THE 591200-1 OR -4 (S274T610-1) ON THE CARBON BRAKE WITH RETAINER PLATES 274T6100-2 INSTALLATION. THE S274T610-1 IS NOT I/W THE S274T610-4 ON THE CARBON BRAKE 274T6100-3 INSTALLATION)	A-BH, BP-EF ,EM,E Q-EZ, HY-JV	1

# 32-11-20

 ILLUSTRATED PARTS LIST  
 01.1 Page 1050P  
 Nov 01/05

 **BOEING**  
COMPONENT  
MAINTENANCE MANUAL

FIG. & ITEM	PART NO.	AIRLINE PART NUMBER	NOMENCLATURE 1234567	EFF CODE	QTY PER ASSY
R 02- -283B	591200-4		...DISCONNECT- (V11362) (SPEC S274T610-1) (591200-41 (S274T610-4), DISCONNECT ASSEMBLY I/W 591200-1 OR -4 (S274T610-1), DISCONNECT ASSEMBLY ONLY ON THE STEEL BRAKE 274T6100-1 DISCONNECT INSTALLATION. THE 591200-41 (S274T610-4) DISCONNECT ASSEMBLY IS NOT I/W THE 591200-1 OR -4 (S274T610-1) ON THE CARBON BRAKE WITH RETAINER PLATES 274T6100-2 INSTALLATION. THE S274T610-1 IS NOT I/W THE S274T610-4 ON THE CARBON BRAKE 274T6100-3 INSTALLATION) (OPT 591200-1 (V11362))	A-BH, BP-EF ,EM,E Q-EZ, HY-JV	1
-285	272T6117-3		..BRACKET INSTL-LH MLG (FOR DETAILS SEE FIG. 7)	A-BH, BP-BZ ,HY-J J	1
-287	272T6117-4		..BRACKET INSTL-RH MLG (FOR DETAILS SEE FIG. 7)	CA-EF ,EM,E Q-EZ, JK-JV	1
-290	272T6117-1		DELETED		
-290A	272T6117-9		DELETED		
-290B	272T6117-11		DELETED		
-290C	272T6117-13		..BRACKET INSTL- (USED ON ITEMS 5J, 5K, 5L, 5P, 5Q, 5R, 5S, 5T, 5U, 5V)	A-BH, BP-BZ ,HY-J J	1
-290D	272T6117-15		DELETED		
-290E	272T6117-19		..BRACKET INSTL- (USED ON ITEM 5W)	A-BH, BP-BZ ,HY-J J	1
-293	272T6117-2		DELETED		

32-11-20

ILLUSTRATED PARTS LIST  
01.1 Page 1050Q  
Nov 01/05

FIG. & ITEM	PART NO.	AIRLINE PART NUMBER	NOMENCLATURE 1234567	EFF CODE	QTY PER ASSY
02-					
-293A	272T6117-10		DELETED		
-293B	272T6117-12		DELETED		
-293C	272T6117-14		..BRACKET INSTL- (USED ON ITEMS 6J, 6K, 6L, 6P, 6Q, 6R, 6S, 6T, 6V)	CA-EF ,EM,E Q-EZ, JK-JV	1
-293D	272T6117-16		DELETED		
-293E	272T6117-20		..BRACKET INSTL- (USED ON ITEM 6W)	CA-EF ,EM,E Q-EZ, JK-JV	1
296	AN924-6D		...NUT	A-BH, BP-EF ,EM,E Q-EZ, HY-JV	5
299	AN960PD916		DELETED		
299A	AN960JD916		...WASHER	A-BH, BP-EF ,EM,E Q-EZ, HY-JV	2
302	AN960PD916L		DELETED		
302A	AN960JD916L		...WASHER	A-BH, BP-EF ,EM,E Q-EZ, HY-JV	3
305	MS21907-6		...ELBOW- (OPT ITEM 305A) (USED ON ITEMS 290C, 293C)	A-BH, BP-EF ,EM,E Q-EZ, HY-JV	4
-305A	BACE21BM0606J		...ELBOW- (OPT ITEM 305) (USED ON ITEMS 290C, 293C)	A-BH, BP-EF ,EM,E Q-EZ, HY-JV	4
-305B	BACE21BM0606J		...ELBOW- (USED ON ITEMS 290E, 293E)	A-BH, BP-EF ,EM,E Q-EZ, HY-JV	4

# 32-11-20

 ILLUSTRATED PARTS LIST  
 01.1 Page 1050R  
 Nov 01/05

 **BOEING**  
COMPONENT  
MAINTENANCE MANUAL

FIG. & ITEM	PART NO.	AIRLINE PART NUMBER	NOMENCLATURE 1234567	EFF CODE	QTY PER ASSY
02-308	MS21924-6		...UNION- (OPT ITEM 308A) (USED ON ITEMS 290C, 293C)	A-BH, BP-EF ,EM,E Q-EZ, HY-JV	1
-308A	BACU24L6		...UNION- (OPT ITEM 308) (USED ON ITEMS 290C, 293C)	A-BH, BP-EF ,EM,E Q-EZ, HY-JV	1
-308B	MS21924-6		...UNION- (USED ON ITEMS 290E, 293E)	A-BH, BP-EF ,EM,E Q-EZ, HY-JV	1
311	AN924-10D		...NUT	A-BH, BP-EF ,EM,E Q-EZ, HY-JV	1
314	BACW10P224AM		...WASHER	A-BH, BP-EF ,EM,E Q-EZ, HY-JV	1
317	MS21907-10		...ELBOW- (OPT ITEM 317A) (USED ON ITEMS 290C, 293C)	A-BH, BP-EF ,EM,E Q-EZ, HY-JV	1
-317A	BACE21BM1010J		...ELBOW- (OPT ITEM 317) (USED ON ITEMS 290C, 293C)	A-BH, BP-EF ,EM,E Q-EZ, HY-JV	1
-317B	BACE21BM1010J		...ELBOW- (USED ON ITEMS 290E, 293E)	A-BH, BP-EF ,EM,E Q-EZ, HY-JV	1
320	272T6115-1		...SUPPORT- (PRE SB 767-32-0162)	A-BH, BP-BZ ,HY-J J	1

**32-11-20**

ILLUSTRATED PARTS LIST  
01.1 Page 1050S  
Nov 01/05



FIG. & ITEM	PART NO.	AIRLINE PART NUMBER	NOMENCLATURE 1234567	EFF CODE	QTY PER ASSY
02-323	272T6115-2		...SUPPORT- (PRE SB 767-32-0162)	CA-EF ,EM,E Q-EZ, JK-JV	1
326	NAS6603-24		...BOLT	A-BH, BP-EF ,EM,E Q-EZ, HY-JV	3
329	NAS6603-20		...BOLT	A-BH, BP-EF ,EM,E Q-EZ, HY-JV	1
332	NAS6603-30		...BOLT	A-BH, BP-EF ,EM,E Q-EZ, HY-JV	1
335	NAS6603-21		...BOLT	A-BH, BP-EF ,EM,E Q-EZ, HY-JV	1
338	BACC15AN10		...CLIP	A-BH, BP-EF ,EM,E Q-EZ, HY-JV	6
341	BACB19F10		...BLOCK	A-BH, BP-EF ,EM,E Q-EZ, HY-JV	6
344	270T0005-278		...BLOCK ASSY-CLAMP	A-BH, BP-EF ,EM,E Q-EZ, HY-JV	1
347	NAS1801-3-29		....SCREW	A-BH, BP-EF ,EM,E Q-EZ, HY-JV	1

# 32-11-20

 ILLUSTRATED PARTS LIST  
 01.1 Page 1050T  
 Nov 01/05

FIG. & ITEM	PART NO.	AIRLINE PART NUMBER	NOMENCLATURE 1234567	EFF CODE	QTY PER ASSY
02-350	NAS43DD3-81		....SPACER	A-BH, BP-EF ,EM,E Q-EZ, HY-JV	2
353	AN960PD10L		....WASHER	A-BH, BP-EF ,EM,E Q-EZ, HY-JV	3
356	H10-3BAC		....NUT- (V15653) (SPEC BACN10JC3) (OPT NS202101-02 (V80539)) (OPT RMLH9075-3W (V72962)) (OPT T6S1032J (V71087)) (OPT VN303A02 (V92215)) (OPT 96-02 (V80539)) (OPT BRH10A3 (V52828))	A-BH, BP-EF ,EM,E Q-EZ, HY-JV	2
359	270T0004-77		....CHANNEL	A-BH, BP-EF ,EM,E Q-EZ, HY-JV	1

**32-11-20**

ILLUSTRATED PARTS LIST  
01.1 Page 1050U  
Nov 01/05

FIG. & ITEM	PART NO.	AIRLINE PART NUMBER	NOMENCLATURE 1234567	EFF CODE	QTY PER ASSY
02-362	270T0004-209		....BLOCK	A-BH, BP-EF ,EM,E Q-EZ, HY-JV	2
365	270T0005-2409		...BLOCK ASSY-CLAMP	A-BH, BP-EF ,EM,E Q-EZ, HY-JV	1
368	NAS1801-3-24		....SCREW	A-BH, BP-EF ,EM,E Q-EZ, HY-JV	1
371	NAS43DD3-61		....SPACER	A-BH, BP-EF ,EM,E Q-EZ, HY-JV	2
374	AN960PD10L		....WASHER	A-BH, BP-EF ,EM,E Q-EZ, HY-JV	2
377	H10-3BAC		....NUT- (V15653) (SPEC BACN10JC3) (OPT NS202101-02 (V80539)) (OPT RMLH9075-3W (V72962)) (OPT T6S1032J (V71087)) (OPT VN303A02 (V92215)) (OPT 96-02 (V80539)) (OPT BRH10A3 (V52828))	A-BH, BP-EF ,EM,E Q-EZ, HY-JV	2

# 32-11-20

 ILLUSTRATED PARTS LIST  
 01.1 Page 1050V  
 Nov 01/05

FIG. & ITEM	PART NO.	AIRLINE PART NUMBER	NOMENCLATURE 1234567	EFF CODE	QTY PER ASSY
02-380	270T0004-78		....CHANNEL	A-BH, BP-EF ,EM,E Q-EZ, HY-JV	1
383	270T0004-417		....BLOCK	A-BH, BP-EF ,EM,E Q-EZ, HY-JV	2
386	270T0005-631		...BLOCK ASSY-CLAMP	A-BH, BP-EF ,EM,E Q-EZ, HY-JV	1
389	NAS1801-3-34		....SCREW	A-BH, BP-EF ,EM,E Q-EZ, HY-JV	1
392	NAS43DD3-105		....SPACER	A-BH, BP-EF ,EM,E Q-EZ, HY-JV	2
395	AN960PD10L		....WASHER	A-BH, BP-EF ,EM,E Q-EZ, HY-JV	2

**32-11-20**

ILLUSTRATED PARTS LIST  
01.1 Page 1050W  
Nov 01/05

FIG. & ITEM	PART NO.	AIRLINE PART NUMBER	NOMENCLATURE 1234567	EFF CODE	QTY PER ASSY
02-398	H10-3BAC		....NUT- (V15653) (SPEC BACN10JC3) (OPT NS202101-02 (V80539)) (OPT RMLH9075-3W (V72962)) (OPT T6S1032J (V71087)) (OPT VN303A02 (V92215)) (OPT 96-02 (V80539)) (OPT BRH10A3 (V52828))	A-BH, BP-EF ,EM,E Q-EZ, HY-JV	2
401	270T0004-94		....CHANNEL	A-BH, BP-EF ,EM,E Q-EZ, HY-JV	1
404	270T0004-302		....BLOCK	A-BH, BP-EF ,EM,E Q-EZ, HY-JV	1
407	270T0004-615		....BLOCK	A-BH, BP-EF ,EM,E Q-EZ, HY-JV	1
410	270T0004-361		....BLOCK	A-BH, BP-EF ,EM,E Q-EZ, HY-JV	1
413	270T0005-630		...BLOCK ASSY-CLAMP	A-BH, BP-EF ,EM,E Q-EZ, HY-JV	2
416	NAS1801-3-29		....SCREW	A-BH, BP-EF ,EM,E Q-EZ, HY-JV	2

# 32-11-20

 ILLUSTRATED PARTS LIST  
 01.1 Page 1050X  
 Nov 01/05

FIG. & ITEM	PART NO.	AIRLINE PART NUMBER	NOMENCLATURE 1234567	EFF CODE	QTY PER ASSY
02-419	NAS43DD3-82		....SPACER	A-BH, BP-EF ,EM,E Q-EZ, HY-JV	3
422	AN960PD10L		....WASHER	A-BH, BP-EF ,EM,E Q-EZ, HY-JV	3
425	H10-3BAC		....NUT- (V15653) (SPEC BACN10JC3) (OPT NS202101-02 (V80539)) (OPT RMLH9075-3W (V72962)) (OPT T6S1032J (V71087)) (OPT VN303A02 (V92215)) (OPT 96-02 (V80539)) (OPT BRH10A3 (V52828))	A-BH, BP-EF ,EM,E Q-EZ, HY-JV	3
428	270T0004-91		....CHANNEL	A-BH, BP-EF ,EM,E Q-EZ, HY-JV	1

**32-11-20**

ILLUSTRATED PARTS LIST  
01.1 Page 1050Y  
Nov 01/05

FIG. & ITEM	PART NO.	AIRLINE PART NUMBER	NOMENCLATURE 1234567	EFF CODE	QTY PER ASSY
02-431	270T0004-634		....BLOCK	A-BH, BP-EF ,EM,E Q-EZ, HY-JV	2
434	270T0005-422		...BLOCK ASSY-CLAMP	A-BH, BP-EF ,EM,E Q-EZ, HY-JV	1
437	NAS1801-3-24		....SCREW	A-BH, BP-EF ,EM,E Q-EZ, HY-JV	2
440	NAS43DD3-64		....SPACER	A-BH, BP-EF ,EM,E Q-EZ, HY-JV	3
443	AN960PD10L		....WASHER	A-BH, BP-EF ,EM,E Q-EZ, HY-JV	3
446	H10-3BAC		....NUT- (V15653) (SPEC BACN10JC3) (OPT NS202101-02 (V80539)) (OPT RMLH9075-3W (V72962)) (OPT T6S1032J (V71087)) (OPT VN303A02 (V92215)) (OPT 96-02 (V80539)) (OPT BRH10A3 (V52828))	A-BH, BP-EF ,EM,E Q-EZ, HY-JV	3

# 32-11-20

 ILLUSTRATED PARTS LIST  
 01.1 Page 1050Z  
 Nov 01/05

FIG. & ITEM	PART NO.	AIRLINE PART NUMBER	NOMENCLATURE 1234567	EFF CODE	QTY PER ASSY
02-449	TA0910004DC10		....CLAMP- (V84971) (SPEC BACC10HB10A)	A-BH, BP-EF ,EM,E Q-EZ, HY-JV	1
452	270T0004-90		....CHANNEL	A-BH, BP-EF ,EM,E Q-EZ, HY-JV	1
455	270T0004-357		....BLOCK	A-BH, BP-EF ,EM,E Q-EZ, HY-JV	2
458	NAS6603-3		...BOLT	A-BH, BP-EF ,EM,E Q-EZ, HY-JV	9
461 461A	AN960PD10L AN960JD10L		DELETED ...WASHER	A-BH, BP-EF ,EM,E Q-EZ, HY-JV	9
464 464A	H10-3BAC H52732-3CD		DELETED ...NUT- (V15653) (SPEC BACN10YR3CD) (OPT PLH53CD (V62554))	A-BH, BP-EF ,EM,E Q-EZ, HY-JV	9

32-11-20



FIG. & ITEM	PART NO.	AIRLINE PART NUMBER	NOMENCLATURE 1234567	EFF CODE	QTY PER ASSY
02-467	BACC15AN10		...CLIP	A-BH, BP-EF ,EM,E Q-EZ, HY-JV	9
470	BACB19F10		...BLOCK	A-BH, BP-EF ,EM,E Q-EZ, HY-JV	9
473	272T6130-7		...BRACKET	A-BH, BP-EF ,EM,E Q-EZ, HY-JV	1
476	272T6130-6		...BRACKET	A-BH, BP-EF ,EM,E Q-EZ, HY-JV	1
479	BC4083-101S		...CLAMP- (V14242) (SPEC BACC10FY101S) (OPT B06A101S (V10234)) (OPT 3140AB101 (V94581)) (OPT B06A101S (V10234)) (OPT MBC68941-101 (V8W928))	A-BH, BP-EF ,EM,E Q-EZ, HY-JV	1

# 32-11-20

 ILLUSTRATED PARTS LIST  
 01.1 Page 1052  
 Nov 01/05

FIG. & ITEM	PART NO.	AIRLINE PART NUMBER	NOMENCLATURE 1234567	EFF CODE	QTY PER ASSY
02-480	BC4083-101S		...CLAMP- (V14242) (SPEC BACC10FY101S) (OPT B06A101S (V10234)) (OPT 3140AB101 (V94581)) (OPT B06A101S (V10234)) (OPT MBC68941-101 (V8W928)) (USED ON ITEMS 290C, 293C)	A-BH, BP-EF ,EM,E Q-EZ, HY-JV	1
-480A	3140AB103E		...CLAMP- (V94581) (SPEC BACC10FY103SE) (OPT BC1083-103SE (V14242)) (OPT NE103338-103 (V8W928)) (USED ON ITEMS 290E, 293E)	A-BH, BP-EF ,EM,E Q-EZ, HY-JV	1
482	272T6130-5		...BRACKET	A-BH, BP-EF ,EM,E Q-EZ, HY-JV	1
485	272T6130-2		...BRACKET	A-BH, BP-EF ,EM,E Q-EZ, HY-JV	1

**32-11-20**

ILLUSTRATED PARTS LIST  
01.1 Page 1052A  
Nov 01/05

FIG. & ITEM	PART NO.	AIRLINE PART NUMBER	NOMENCLATURE 1234567	EFF CODE	QTY PER ASSY
02-488	BC1083-115S		...CLAMP- (V14242) (SPEC BACC10FY115S) (OPT B06A115S (V10234)) (OPT 3140AB115 (V94581)) (OPT B06A115S (V10234)) (OPT MBC68941-115 (V8W928)) (USED ON ITEMS 290C, 293C)	A-BH, BP-EF ,EM,E Q-EZ, HY-JV	1
-488A	3140AB116E		...CLAMP- (V94581) (SPEC BACC10FY116SE) (OPT BC1083-116SE (V14242)) (OPT NE103338-116 (V8W928)) (USED ON ITEMS 290E, 293E)	A-BH, BP-EF ,EM,E Q-EZ, HY-JV	1
491	272T6130-1		...BRACKET	A-BH, BP-EF ,EM,E Q-EZ, HY-JV	1
494	BC1083-118S		...CLAMP- (V14242) (SPEC BACC10FY118S) (OPT B06A118S (V10234)) (OPT 3140AB118 (V94581)) (OPT B06A118S (V10234)) (OPT MBC68941-118 (V8W928))	A-BH, BP-EF ,EM,E Q-EZ, HY-JV	1
497	AN924-6D		...NUT	A-BH, BP-EF ,EM,E Q-EZ, HY-JV	3

# 32-11-20

 ILLUSTRATED PARTS LIST  
 01.1 Page 1052B  
 Nov 01/05

FIG. & ITEM	PART NO.	AIRLINE PART NUMBER	NOMENCLATURE 1234567	EFF CODE	QTY PER ASSY
02-500 500A	AN960PD916 AN960JD916		DELETED ...WASHER	A-BH, BP-EF ,EM,E Q-EZ, HY-JV	3
503	MS21908-6		...ELBOW- (OPT ITEM 503A) (USED ON ITEMS 290C, 293C)	A-BH, BP-EF ,EM,E Q-EZ, HY-JV	3
-503A	BACE21BN0606J		...ELBOW- (OPT ITEM 503) (USED ON ITEMS 290C, 293C)	A-BH, BP-EF ,EM,E Q-EZ, HY-JV	3
-503B	BACE21BN0606J		...ELBOW- (USED ON ITEMS 290E, 293E)	A-BH, BP-EF ,EM,E Q-EZ, HY-JV	3
506	AN924-10D		...NUT	A-BH, BP-EF ,EM,E Q-EZ, HY-JV	1
509 509A	AN960PD1416 AN960JD1416		DELETED ...WASHER	A-BH, BP-EF ,EM,E Q-EZ, HY-JV	1

**32-11-20**

ILLUSTRATED PARTS LIST  
01.1 Page 1052C  
Nov 01/05

FIG. & ITEM	PART NO.	AIRLINE PART NUMBER	NOMENCLATURE 1234567	EFF CODE	QTY PER ASSY
02-512	MS21908-10		...ELBOW- (OPT ITEM 512A) (USED ON ITEM 290C, 293C)	A-BH, BP-EF ,EM,E Q-EZ, HY-JV	1
-512A	BACE21BN1010J		...ELBOW- (OPT ITEM 512) (USED ON ITEMS 290C, 293C)	A-BH, BP-EF ,EM,E Q-EZ, HY-JV	1
-512B	BACE21BN1010J		...ELBOW- (USED ON ITEMS 290E, 293E)	A-BH, BP-EF ,EM,E Q-EZ, HY-JV	1
515	272T6125-1		...BRACKET ASSY	A-BH, BP-EF ,EM,E Q-EZ, HY-JV	1
518	BACB30PF4-18		...BOLT	A-BH, BP-EF ,EM,E Q-EZ, HY-JV	2
521	AN960PD10		DELETED		
521A	AN960JD10		...WASHER	A-BH, BP-EF ,EM,E Q-EZ, HY-JV	2

# 32-11-20

 ILLUSTRATED PARTS LIST  
 01.1 Page 1052D  
 Nov 01/05

FIG. & ITEM	PART NO.	AIRLINE PART NUMBER	NOMENCLATURE 1234567	EFF CODE	QTY PER ASSY
02- 524 524A	H10-3BAC H52732-3CD		DELETED ...NUT- (V15653) (SPEC BACN10YR3CD) (OPT PLH53CD (V62554)) -----*-----	A-BH, BP-EF ,EM,E Q-EZ, HY-JV	2
527	NAS1801-3-14		....SCREW	A-BH, BP-EF ,EM,E Q-EZ, HY-JV	2
530	AN960PD10L		....WASHER	A-BH, BP-EF ,EM,E Q-EZ, HY-JV	4
533	H10-3BAC		....NUT- (V15653) (SPEC BACN10JC3) (OPT NS202101-02 (V80539)) (OPT RMLH9075-3W (V72962)) (OPT T6S1032J (V71087)) (OPT VN303A02 (V92215)) (OPT 96-02 (V80539)) (OPT BRH10A3 (V52828))	A-BH, BP-EF ,EM,E Q-EZ, HY-JV	2
536	272T6126-2		....PAD	A-BH, BP-EF ,EM,E Q-EZ, HY-JV	1
539	272T6126-1		....PAD	A-BH, BP-EF ,EM,E Q-EZ, HY-JV	1

**32-11-20**

ILLUSTRATED PARTS LIST  
01.1 Page 1052E  
Nov 01/05

FIG. & ITEM	PART NO.	AIRLINE PART NUMBER	NOMENCLATURE 1234567	EFF CODE	QTY PER ASSY
02-542	272T6125-2		....BRACKET	A-BH, BP-EF ,EM,E Q-EZ, HY-JV	1
545	MB67381-130A036		...CLAMP- (V8W928) (SPEC BACC10ET130A036) (OPT MB68517-130A036 (V8W928))	A-BH, BP-EF ,EM,E Q-EZ, HY-JV	1
548	AN924-6D		...NUT	A-BH, BP-EF ,EM,E Q-EZ, HY-JV	2
551	AN960-916		...WASHER	A-BH, BP-EF ,EM,E Q-EZ, HY-JV	2
553	MS21907-6		...ELBOW- (OPT ITEM 553A) (USED ON ITEMS 290C, 293C)	A-BH, BP-EF ,EM,E Q-EZ, HY-JV	2
-553A	BACE21BM0606J		...ELBOW- (OPT ITEM 553) (USED ON ITEMS 290C, 293C)	A-BH, BP-EF ,EM,E Q-EZ, HY-JV	2
-553B	BACE21BM0606J		...ELBOW- (USED ON ITEMS 290E, 293E)	A-BH, BP-EF ,EM,E Q-EZ, HY-JV	2
556	BACW10P85S		...WASHER	A-BH, BP-EF ,EM,E Q-EZ, HY-JV	2
559	BACR15BA5AD		...RIVET- (SIZE DETERMINE ON INST)	A-BH, BP-EF ,EM,E Q-EZ, HY-JV	2

# 32-11-20

 ILLUSTRATED PARTS LIST  
 01.1 Page 1052F  
 Nov 01/05

FIG. & ITEM	PART NO.	AIRLINE PART NUMBER	NOMENCLATURE 1234567	EFF CODE	QTY PER ASSY
02-562	272T6143-2		...PAD	A-BH, BP-EF ,EM,E Q-EZ, HY-JV	2
565 565A	BACS40R5F6F BACS40R005F006F		DELETED ...SHIM	A-BH, BP-EF ,EM,E Q-EZ, HY-JV	2
568	272T6140-11		...BRACKET ASSY- (USED ON ITEM 290C)	A-BH, BP-BZ ,HY-J J	1
-568A	272T6140-21		...BRACKET ASSY- (USED ON ITEM 290E)	A-BH, BP-BZ ,HY-J J	1
-571	272T6140-12		...BRACKET ASSY- (USED ON ITEM 293C)	CA-EF ,EM,E Q-EZ, JK-JV	1
-571A	272T6140-22		...BRACKET ASSY- (USED ON ITEM 293E)	CA-EF ,EM,E Q-EZ, JK-JV	1
574	NAS514P632-11		....SCREW	A-BH, BP-EF ,EM,E Q-EZ, HY-JV	5

**32-11-20**

ILLUSTRATED PARTS LIST  
01.1 Page 1052G  
Nov 01/05



FIG. & ITEM	PART NO.	AIRLINE PART NUMBER	NOMENCLATURE 1234567	EFF CODE	QTY PER ASSY
02-577 577A	AN960KD6L AN960JD6L		DELETED ....WASHER	A-BH, BP-EF ,EM,E Q-EZ, HY-JV	5
580 580A	H10-06BAC PLH506CD		DELETED ....NUT- (V62554) (SPEC BACN10YR06CD) (OPT H52732-06CD (V15653))	A-BH, BP-EF ,EM,E Q-EZ, HY-JV	5
583	272T6142-2		....BRACKET- (USED ON ITEMS 568, 571)	A-BH, BP-EF ,EM,E Q-EZ, HY-JV	1
-583A	272T6142-6		....BRACKET- (USED ON ITEMS 568A, 571A)	A-BH, BP-EF ,EM,E Q-EZ, HY-JV	1
586	272T6143-3		....RING	A-BH, BP-EF ,EM,E Q-EZ, HY-JV	1
589	272T6139-2		....WASHER	A-BH, BP-EF ,EM,E Q-EZ, HY-JV	1

# 32-11-20

 ILLUSTRATED PARTS LIST  
 01.1 Page 1052H  
 Nov 01/05

FIG. & ITEM	PART NO.	AIRLINE PART NUMBER	NOMENCLATURE 1234567	EFF CODE	QTY PER ASSY
02-592	BACR15BA5AD		....RIVET- (SIZE DETERMINE ON INST)	A-BH, BP-EF ,EM,E Q-EZ, HY-JV	1
595	272T6143-2		....PAD	A-BH, BP-EF ,EM,E Q-EZ, HY-JV	1
598	272T6141-2		....BRACKET	A-BH, BP-BZ ,HY-J J	1
-601	272T6141-1		....BRACKET	CA-EF ,EM,E Q-EZ, JK-JV	1
604	272T6140-9		...BRACKET ASSY- (USED ON ITEM 290C)	A-BH, BP-BZ ,HY-J J	1
-604A	272T6140-17		DELETED		
-604B	272T6140-19		...BRACKET ASSY- (USED ON ITEM 290E)	A-BH, BP-BZ ,HY-J J	1
-607	272T6140-10		...BRACKET ASSY- (USED ON ITEM 293C)	CA-EF ,EM,E Q-EZ, JK-JV	1
-607A	272T6140-18		DELETED		
-607B	272T6140-20		...BRACKET ASSY- (USED ON ITEM 293E)	CA-EF ,EM,E Q-EZ, JK-JV	1

**32-11-20**

FIG. & ITEM	PART NO.	AIRLINE PART NUMBER	NOMENCLATURE 1234567	EFF CODE	QTY PER ASSY
02-610	NAS1801-4-17		....BOLT	A-BH, BP-EF ,EM,E Q-EZ, HY-JV	1
613	AN960C416		....WASHER	A-BH, BP-EF ,EM,E Q-EZ, HY-JV	1
616	AN960D416L		....WASHER	A-BH, BP-EF ,EM,E Q-EZ, HY-JV	1
619 619A	H10-4BAC MS21042L4		DELETED ....NUT	A-BH, BP-EF ,EM,E Q-EZ, HY-JV	1
622	272T6139-1		....BRACKET	A-BH, BP-EF ,EM,E Q-EZ, HY-JV	1
-622A 625	287T6111-74 272T6144-1		DELETED ....BUSHING	A-BH, BP-EF ,EM,E Q-EZ, HY-JV	1

# 32-11-20

 ILLUSTRATED PARTS LIST  
 01.1 Page 1052J  
 Nov 01/05

FIG. & ITEM	PART NO.	AIRLINE PART NUMBER	NOMENCLATURE 1234567	EFF CODE	QTY PER ASSY
02-628	NAS514P632-11		....SCREW	A-BH, BP-EF ,EM,E Q-EZ, HY-JV	2
631	NAS514P632-9		....SCREW	A-BH, BP-EF ,EM,E Q-EZ, HY-JV	3
634 634A	AN960KD6L AN960JD6L		DELETED ....WASHER	A-BH, BP-EF ,EM,E Q-EZ, HY-JV	5
637 637A	H10-06BAC H52732-06CD		DELETED ....NUT- (V15653) (SPEC BACN10YR06CD) (OPT PLH506CD (V62554))	A-BH, BP-EF ,EM,E Q-EZ, HY-JV	5
640	272T6142-1		....BRACKET- (USED ON ITEMS 604, 607)	A-BH, BP-EF ,EM,E Q-EZ, HY-JV	1
-640A	272T6142-5		....BRACKET- (USED ON ITEMS 604B, 607B)	A-BH, BP-EF ,EM,E Q-EZ, HY-JV	1

32-11-20

FIG. & ITEM	PART NO.	AIRLINE PART NUMBER	NOMENCLATURE 1234567	EFF CODE	QTY PER ASSY
02-643	272T6143-3		....RING	A-BH, BP-EF ,EM,E Q-EZ, HY-JV	1
646	272T6139-2		....WASHER	A-BH, BP-EF ,EM,E Q-EZ, HY-JV	1
649	BACR15BA5AD		....RIVET- (SIZE DETERMINE ON INST)	A-BH, BP-EF ,EM,E Q-EZ, HY-JV	1
652	272T6143-2		....PAD	A-BH, BP-EF ,EM,E Q-EZ, HY-JV	1
655	272T6141-1		....BRACKET	A-BH, BP-BZ ,HY-J J	1
-658	272T6141-2		....BRACKET	CA-EF ,EM,E Q-EZ, JK-JV	1
661	AN924-6D		...NUT	A-BH, BP-EF ,EM,E Q-EZ, HY-JV	2

# 32-11-20

 ILLUSTRATED PARTS LIST  
 01.1 Page 1052L  
 Nov 01/05

 **BOEING**  
COMPONENT  
MAINTENANCE MANUAL

FIG. & ITEM	PART NO.	AIRLINE PART NUMBER	NOMENCLATURE 1234567	EFF CODE	QTY PER ASSY
02-664	MS21924-6		...UNION- (OPT ITEM 664A) (USED ON ITEMS 290C, 293C)	A-BH, BP-EF ,EM,E Q-EZ, HY-JV	2
-664A	BACU24L6		...UNION- (OPT ITEM 664) (USED ON ITEMS 290C, 293C)	A-BH, BP-EF ,EM,E Q-EZ, HY-JV	2
-664B	MS21924-6		...UNION- (USED ON ITEMS 290E, 293E)	A-BH, BP-EF ,EM,E Q-EZ, HY-JV	2
667	BACB30LJ6-13		...BOLT	A-BH, BP-EF ,EM,E Q-EZ, HY-JV	1
670	AN960C616		...WASHER	A-BH, BP-EF ,EM,E Q-EZ, HY-JV	1
673 673A	H01-6BAC H52732-6CM		DELETED ...NUT- (V15653) (SPEC BACN10YR6CM) (OPT PLH56CM (V62554))	A-BH, BP-EF ,EM,E Q-EZ, HY-JV	1
676	272T6118-2		...BRACKET	A-BH, BP-BZ ,HY-J J	1
-679	272T6118-1		...BRACKET	CA-EF ,EM,E Q-EZ, JK-JV	1
682	272T6123-1		...GUIDE ASSY-HOSE	A-BH, BP-EF ,EM,E Q-EZ, HY-JV	2

32-11-20

ILLUSTRATED PARTS LIST  
01.1 Page 1052M  
Nov 01/05

FIG. & ITEM	PART NO.	AIRLINE PART NUMBER	NOMENCLATURE 1234567	EFF CODE	QTY PER ASSY
02-685	272T6138-1		....RING-HOSE GUIDE	A-BH, BP-EF ,EM,E Q-EZ, HY-JV	1
688	MS20615-6M		....RIVET- (SIZE DETERMINE ON INST)	A-BH, BP-EF ,EM,E Q-EZ, HY-JV	2
691	272T6137-2		....BRACKET	A-BH, BP-EF ,EM,E Q-EZ, HY-JV	1
694	272T6137-1		....BRACKET	A-BH, BP-EF ,EM,E Q-EZ, HY-JV	1
697	NAS1801-3-9		DELETED		
700	NAS1801-3-7		DELETED		
703	NAS1801-3-7		...SCREW	A-BH, BP-EF ,EM,E Q-EZ, HY-JV	1
706	NAS1801-3-18		...SCREW	A-BH, BP-EF ,EM,E Q-EZ, HY-JV	1

# 32-11-20

 ILLUSTRATED PARTS LIST  
 01.1 Page 1052N  
 Nov 01/05

FIG. & ITEM	PART NO.	AIRLINE PART NUMBER	NOMENCLATURE 1234567	EFF CODE	QTY PER ASSY
02-709	NAS1801-3-16		...SCREW	A-BH, BP-EF ,EM,E Q-EZ, HY-JV	2
712	AN960PD10L		DELETED		
715	AN960PD10L		DELETED		
715A	AN960JD10L		...WASHER	A-BH, BP-EF ,EM,E Q-EZ, HY-JV	5
718	NAS42DD6-36		...SPACER	A-BH, BP-EF ,EM,E Q-EZ, HY-JV	3
721	H10-3BAC		DELETED		
724	H10-3BAC		DELETED		
724A	H52732-3CD		...NUT- (V15653) (SPEC BACN10YR3CD) (OPT PLH53CD (V62554))	A-BH, BP-EF ,EM,E Q-EZ, HY-JV	3
727	272T6119-5		DELETED		
-730	272T6119-6		DELETED		
733	TA0910004DC06		...CLAMP- (V84971) (SPEC BACC10HB06A)	A-BH, BP-EF ,EM,E Q-EZ, HY-JV	2

32-11-20



FIG. & ITEM	PART NO.	AIRLINE PART NUMBER	NOMENCLATURE 1234567	EFF CODE	QTY PER ASSY
02-736	272T6121-3		DELETED		
-739	272T6121-4		DELETED		
742	272T6121-1		DELETED		
-745	272T6121-2		DELETED		
748	AN924-6D		...NUT	A-BH, BP-EF ,EM,E Q-EZ, HY-JV	2
751	MS21924-6		...UNION- (OPT ITEM 751A) (USED ON ITEMS 290C, 293C)	A-BH, BP-EF ,EM,E Q-EZ, HY-JV	1
-751A	BACU24L6		...UNION- (OPT ITEM 751) (USED ON ITEMS 290C, 293C)	A-BH, BP-EF ,EM,E Q-EZ, HY-JV	1
-751B	MS21924-6		...UNION- (USED ON ITEMS 290E, 293E)	A-BH, BP-EF ,EM,E Q-EZ, HY-JV	1
754	MS21907-6		...ELBOW- (OPT ITEM 754A) (USED ON ITEMS 290C, 293C)	A-BH, BP-EF ,EM,E Q-EZ, HY-JV	1
-754A	BACE21BM0606J		...ELBOW- (OPT ITEM 754) (USED ON ITEMS 290C, 293C)	A-BH, BP-EF ,EM,E Q-EZ, HY-JV	1
-754B	BACE21BM0606J		...ELBOW- (USED ON ITEMS 290E, 293E)	A-BH, BP-EF ,EM,E Q-EZ, HY-JV	1
757	AN960-916		...WASHER	A-BH, BP-EF ,EM,E Q-EZ, HY-JV	1

# 32-11-20

 ILLUSTRATED PARTS LIST  
 01.1 Page 1052P  
 Nov 01/05

 **BOEING**  
COMPONENT  
MAINTENANCE MANUAL

FIG. & ITEM	PART NO.	AIRLINE PART NUMBER	NOMENCLATURE 1234567	EFF CODE	QTY PER ASSY
02-					
760	NAS6605P10		DELETED		
763	AN960PD516		DELETED		
766	H10-5BAC		DELETED		
769	272T6120-1		DELETED		
-772	272T6120-2		DELETED		
775	BACR15BA3AD		DELETED		
778	272T6120-9		DELETED		
-781	272T6120-10		DELETED		
784	272T6120-5		DELETED		
-787	272T6120-6		DELETED		
790	272T6120-3		DELETED		
-793	272T6120-4		DELETED		
796	BACR15BA3AD		DELETED		
799	272T6120-11		DELETED		
-802	272T6120-12		DELETED		
805	272T6120-7		DELETED		
-808	272T6120-8		DELETED		
-811	7355		...TAPE- (REPLD BY ITEM 811A) (V88301)	A-BH, BP-EF ,EM,E Q-EZ, HY-JV	AR
-811A	8412		...TAPE- (V26066) (REPLS ITEM 811)	A-BH, BP-EF ,EM,E Q-EZ, HY-JV	AR
814	273T6100-1		DELETED		
-817	273T6100-5		DELETED		
820	273T6100-7		..POSITIONER INSTL-TRUCK (USED ON ITEMS 5J, 5L, 5R, 6J, 6L, 6R)	A-BH, BP-EF ,EM,E Q-EZ, HY-JV	1
-820A	273T6100-9		..POSITIONER INSTL-TRUCK (USED ON ITEMS 5K, 5P, 5Q, 5S, 5T, 5U, 5V, 5W, 6K, 6P, 6Q, 6S, 6T, 6V, 6W)	A-BH, BP-EF ,EM,E Q-EZ, HY-JV	1
823	NAS6708H4		...BOLT	A-BH, BP-EF ,EM,E Q-EZ, HY-JV	1

**32-11-20**

ILLUSTRATED PARTS LIST  
01.1 Page 1052Q  
Nov 01/05

FIG. & ITEM	PART NO.	AIRLINE PART NUMBER	NOMENCLATURE 1234567	EFF CODE	QTY PER ASSY
02-826	NAS6606H10		...BOLT	A-BH, BP-EF ,EM,E Q-EZ, HY-JV	1
829	273T6131-1		...PIN	A-BH, BP-EF ,EM,E Q-EZ, HY-JV	1
832	273T6132-1		...WASHER	A-BH, BP-EF ,EM,E Q-EZ, HY-JV	1
835	AN960-616L		...WASHER	A-BH, BP-EF ,EM,E Q-EZ, HY-JV	1
838	273T6133-1		...WASHER	A-BH, BP-EF ,EM,E Q-EZ, HY-JV	2
841	273T6134-1		...SUPPORT ASSY	A-BH, BP-EF ,EM,E Q-EZ, HY-JV	1

# 32-11-20

 ILLUSTRATED PARTS LIST  
 01.1 Page 1052R  
 Nov 01/05

FIG. & ITEM	PART NO.	AIRLINE PART NUMBER	NOMENCLATURE 1234567	EFF CODE	QTY PER ASSY
02-844	MS15001-1		....FITTING	A-BH, BP-EF ,EM,E Q-EZ, HY-JV	4
847	BACB28X5M026		....BUSHING	A-BH, BP-EF ,EM,E Q-EZ, HY-JV	4
850	BACB28X16M026		....BUSHING	A-BH, BP-EF ,EM,E Q-EZ, HY-JV	4
853	MS21209F6-10		....INSERT	A-BH, BP-EF ,EM,E Q-EZ, HY-JV	1
856	273T6134-2		....SUPPORT	A-BH, BP-EF ,EM,E Q-EZ, HY-JV	1
859	273T6138-1		...RETAINER	A-BH, BP-EF ,EM,E Q-EZ, HY-JV	1

**32-11-20**

FIG. & ITEM	PART NO.	AIRLINE PART NUMBER	NOMENCLATURE 1234567	EFF CODE	QTY PER ASSY
02-862	273T6100-4		DELETED		
-864	273T6100-6		DELETED		
-866	273T6100-8		...POSITIONER ASSY- (USED ON ITEM 820) (REF CMM 32-32-55)	A-BH, BP-EF ,EM,E Q-EZ, HY-JV	1
-866A	273T6100-10		...POSITIONER ASSY- (USED ON ITEM 820A) (REF CMM 32-32-55)	A-BH, BP-EF ,EM,E Q-EZ, HY-JV	1
-869	273T6200-1		DELETED		
-872	273T6200-3		..ACTUATOR INSTL-MLG SIDE BRACE LOCK (USED ON ITEMS 5J, 6J)	A-BH, BP-EF ,EM,E Q-EZ, HY-JV	1
-872A	273T6200-5		..ACTUATOR INSTL-MLG SIDE BRACE LOCK (USED ON ITEMS 5K, 5L, 5P, 5Q, 5R, 5S, 5T, 5U, 5V, 5W, 6K, 6L, 6P, 6Q, 6R, 6S, 6T, 6V, 6W)	A-BH, BP-EF ,EM,E Q-EZ, HY-JV	1
875	NAS1801-3-12		...SCREW	A-BH, BP-EF ,EM,E Q-EZ, HY-JV	1
878	NAS1801-3-8		...SCREW	A-BH, BP-EF ,EM,E Q-EZ, HY-JV	1
881	AN960PD10L		...WASHER	A-BH, BP-EF ,EM,E Q-EZ, HY-JV	4

# 32-11-20

 ILLUSTRATED PARTS LIST  
 01.1 Page 1052T  
 Nov 01/05

 **BOEING**  
COMPONENT  
MAINTENANCE MANUAL

FIG. & ITEM	PART NO.	AIRLINE PART NUMBER	NOMENCLATURE 1234567	EFF CODE	QTY PER ASSY
02-883	H10-3BAC		...NUT- (V15653) (SPEC BACN10JC3) (OPT NS202101-02 (V80539)) (OPT RMLH9075-3W (V72962)) (OPT T6S1032J (V71087)) (OPT VN303A02 (V92215)) (OPT 96-02 (V80539)) (OPT BRH10A3 (V52828))	A-BH, BP-EF ,EM,E Q-EZ, HY-JV	2
884	M85052-2-8		...CLAMP	A-BH, BP-EF ,EM,E Q-EZ, HY-JV	3
887	50-3361-8201		...FILLER-RADIUS	A-BH, BP-EF ,EM,E Q-EZ, HY-JV	1
890	273T6200-2		DELETED		
893	273T6200-4		...ACTUATOR ASSY- (USED ON ITEM 872) (REF CMM 32-32-10)	A-BH, BP-EF ,EM,E Q-EZ	1
-893A	273T6200-6		...ACTUATOR ASSY- (USED ON ITEM 872A) (REF CMM 32-32-10)	A-BH, BP-EF ,EM,E Q-EZ, HY-JV	1
896	AS115-04K0232		...HOSE- (OPT ITEM 896A)	A-BH, BP-EF ,EM,E Q-EZ, HY-JV	1
-896A	AS115-04D0232		...HOSE- (OPT ITEM 896)	A-BH, BP-EF ,EM,E Q-EZ, HY-JV	1

**32-11-20**

ILLUSTRATED PARTS LIST  
01.1 Page 1052U  
Nov 01/05

FIG. & ITEM	PART NO.	AIRLINE PART NUMBER	NOMENCLATURE 1234567	EFF CODE	QTY PER ASSY
02-899	AS154A04EE0130B		...HOSE- (V00624) (SPEC BACH8A04EE0130B) (OPT B472-4EE0130B (V03925)) (OPT R29120EE4B0130 (V06851)) (OPT 97934A04EE0130B (V78570)) (OPT ITEM 899A)	A-BH, BP-EF ,EM,E Q-EZ, HY-JV	1
-899A	AS152A04EE0130D		...HOSE- (V00624) (SPEC BACH8A04EE0130D) (OPT B472-4EE0130D (V03925)) (OPT R29120EE4D0130 (V06851)) (OPT 97934A04EE0130D (V78570)) (OPT ITEM 899)	A-BH, BP-EF ,EM,E Q-EZ, HY-JV	1
902	273T6300-1		DELETED		
905	273T6300-5		..ACTUATOR INSTL-MLG DRAG BRACE LOCK (USED ON ITEMS 5J, 5K, 5L, 6J, 6K, 6L) (FOR DETAILS SEE FIG. 6)	A-BH, BP-EF ,EM,E Q-EZ, HY-JV	1
-905A	273T6300-7		..ACTUATOR INSTL-MLG DRAG BRACE LOCK (USED ON ITEMS 5P, 5Q, 5R, 5S, 5T, 5U, 5V, 5W, 6P, 6Q, 6R, 6S, 6T, 6V, 6W) (FOR DETAILS SEE FIG. 6)	A-BH, BP-EF ,EM,E Q-EZ, HY-JV	1
-908	270T0005-281		..BLOCK ASSY- (USED ON ITEMS 5P, 5T, 5U, 5V, 5W, 6P, 6T, 6V, 6W)	A-BH, BP-EF ,EM,E Q-EZ, HY-JV	1
-911	270T0004-299		...BLOCK	A-BH, BP-EF ,EM,E Q-EZ, HY-JV	2

# 32-11-20

 ILLUSTRATED PARTS LIST  
 01.1 Page 1052V  
 Nov 01/05

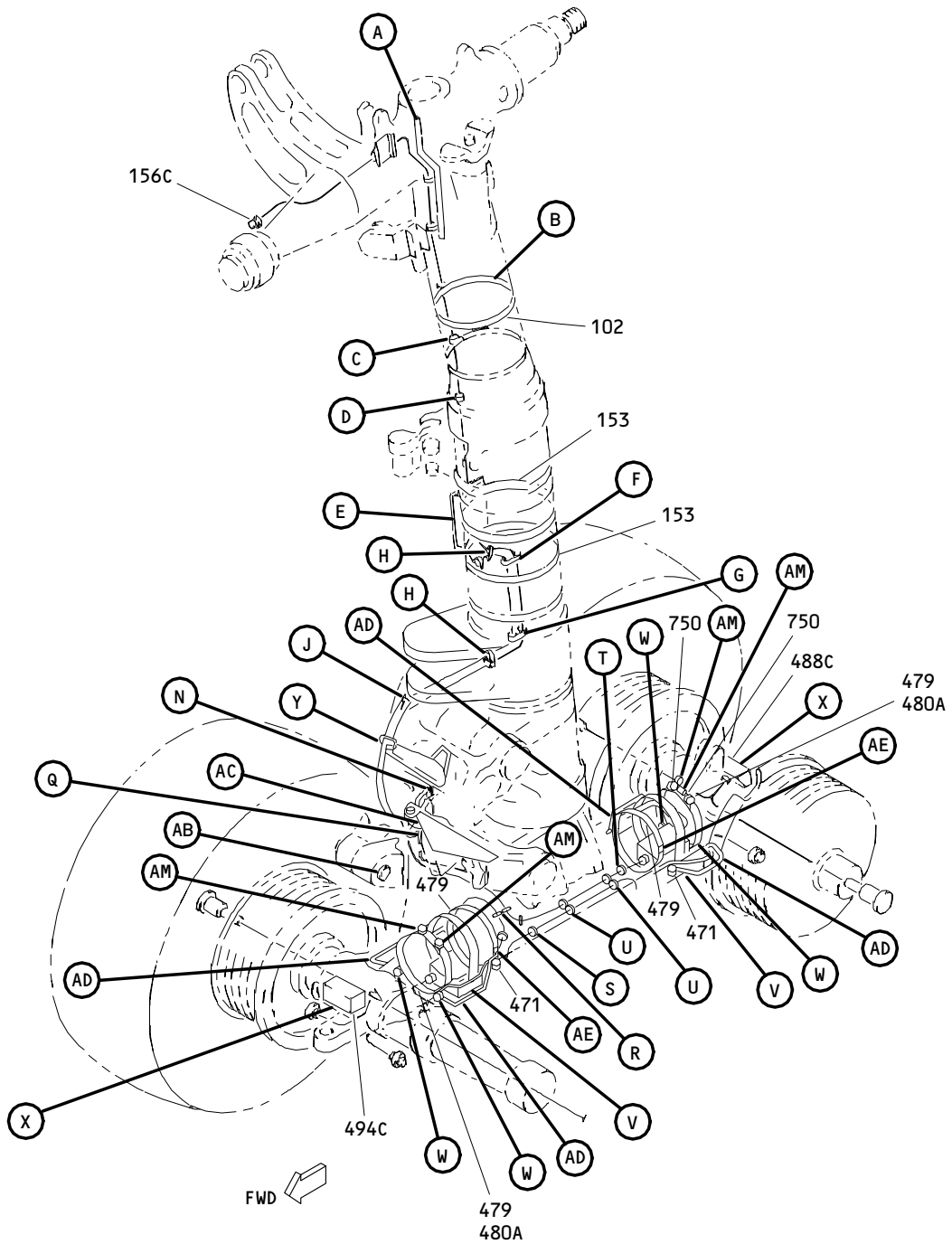
FIG. & ITEM	PART NO.	AIRLINE PART NUMBER	NOMENCLATURE	EFF CODE	QTY PER ASSY
02-914	NAS1922-0200-3		...CLAMP	A-BH, BP-EF ,EM,E Q-EZ, HY-JV	1

- Item Not Illustrated

**32-11-20**

ILLUSTRATED PARTS LIST  
01.1 Page 1052W  
Nov 01/05

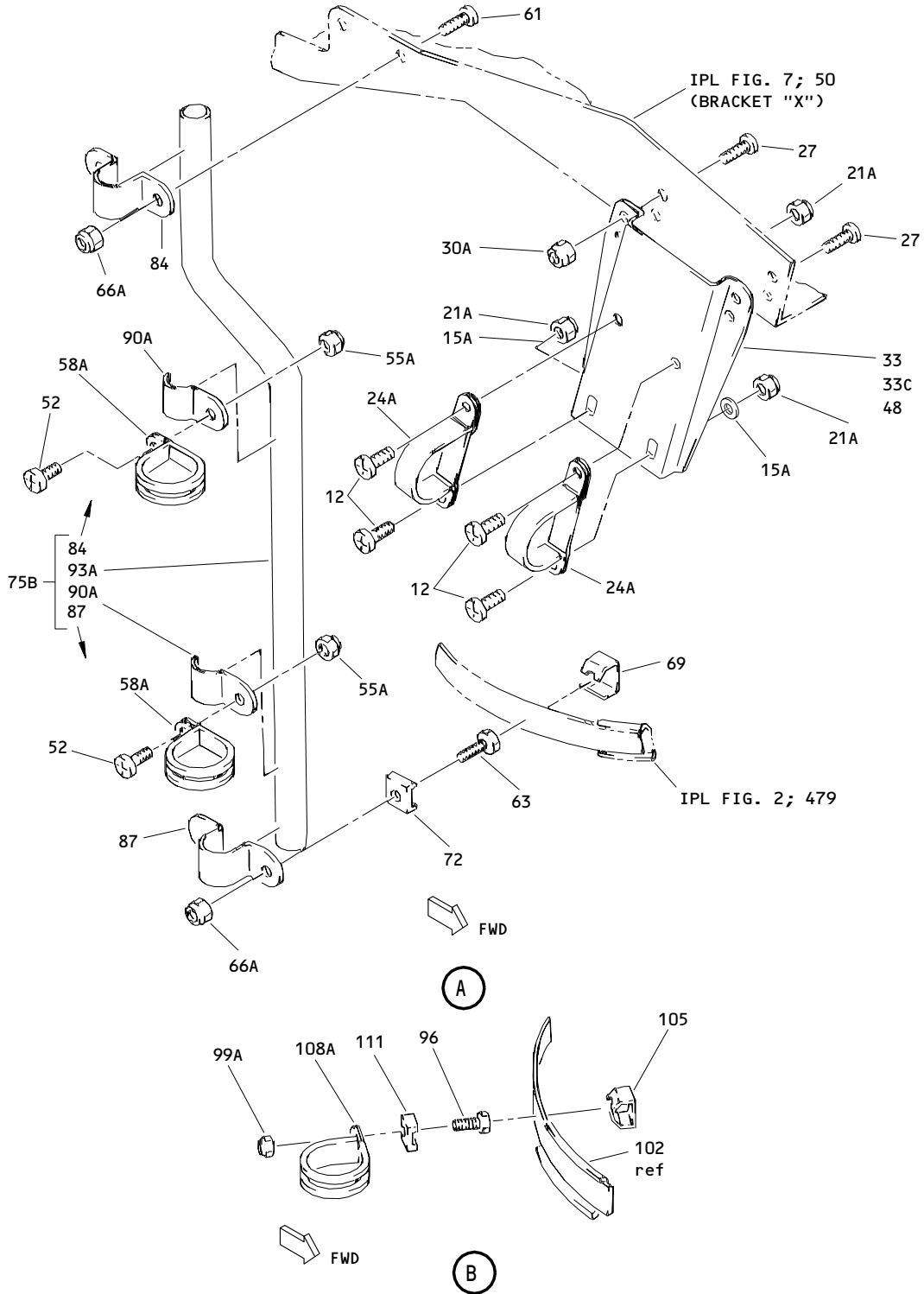




Wire Provision Installation  
Figure 3 (Sheet 1)

**32-11-20**

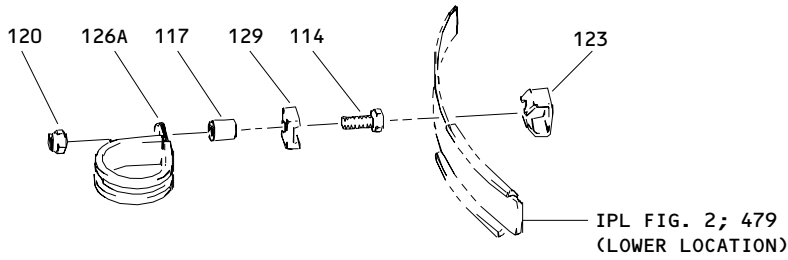
ILLUSTRATED PARTS LIST  
01.1 Page 1052Y  
Nov 01/05



Wire Provision Installation  
 Figure 3 (Sheet 2)

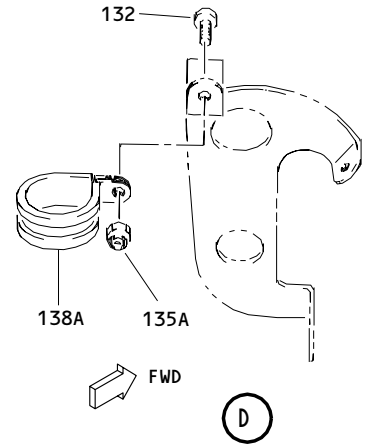
**32-11-20**

ILLUSTRATED PARTS LIST  
 01.1 Page 1052Z  
 Nov 01/05



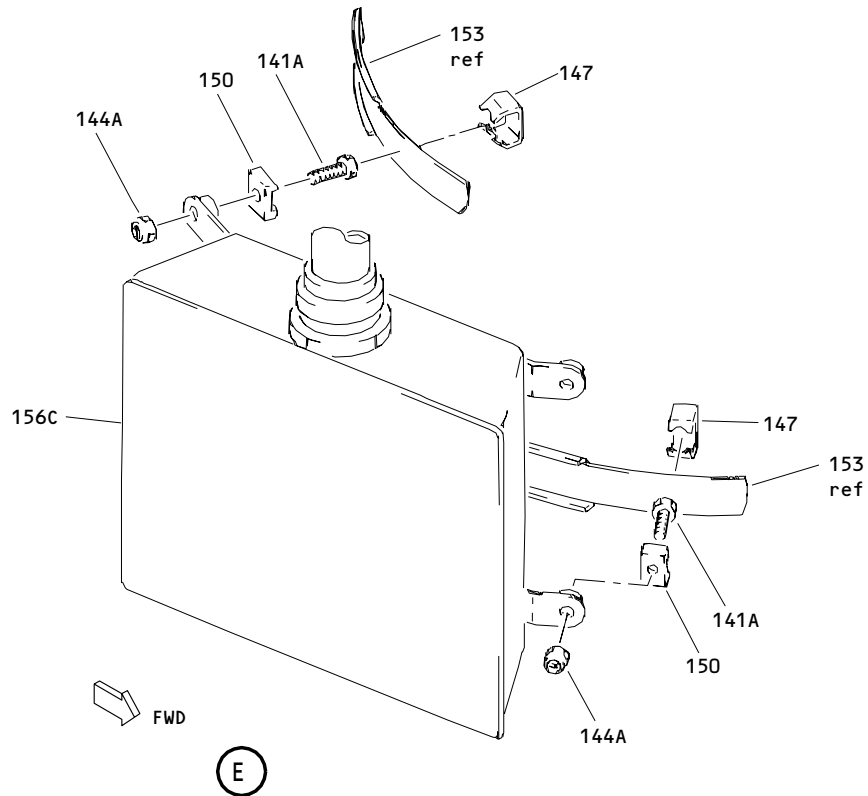
FWD

C



FWD

D



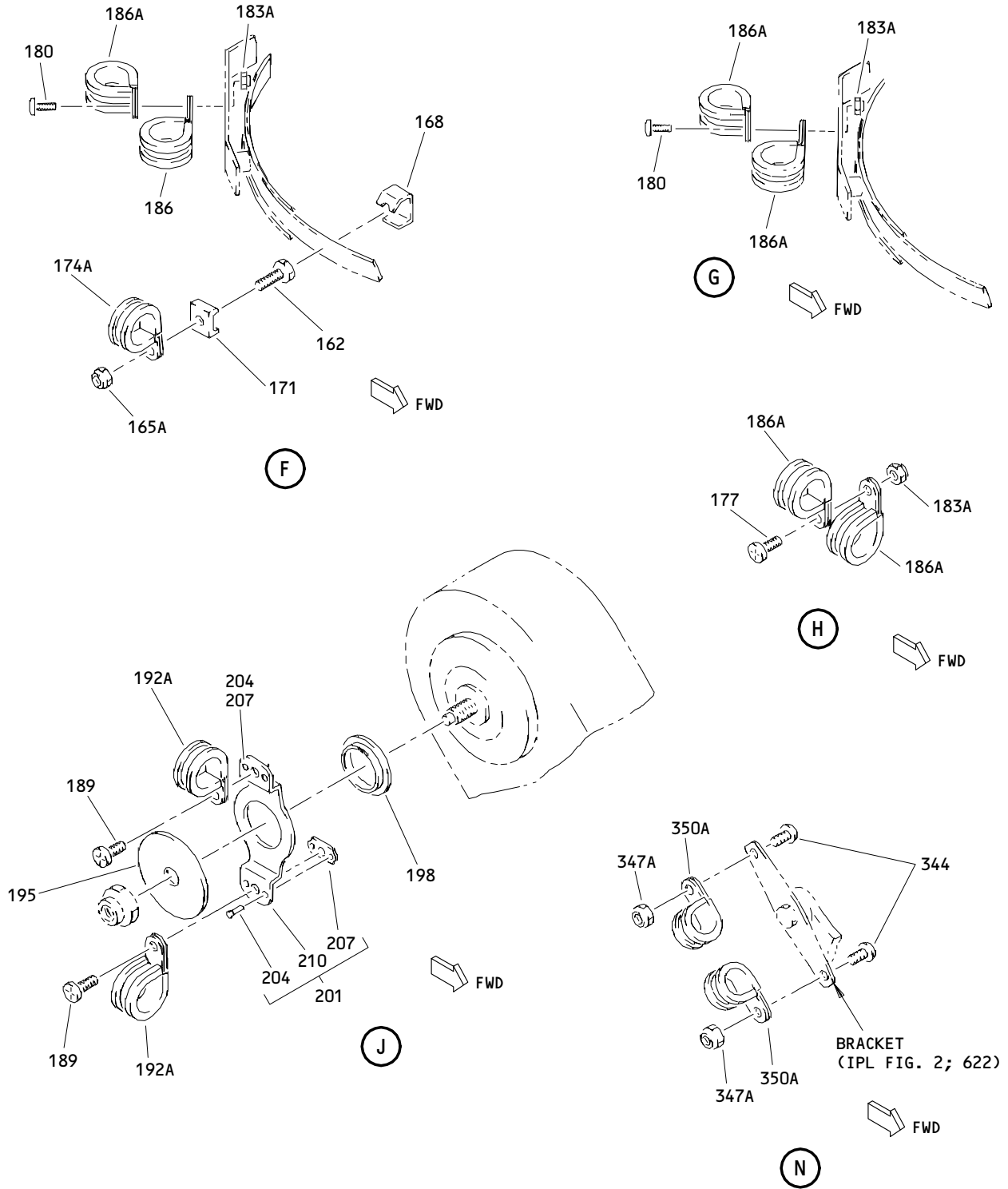
FWD

E

Wire Provision Installation  
Figure 3 (Sheet 3)

**32-11-20**

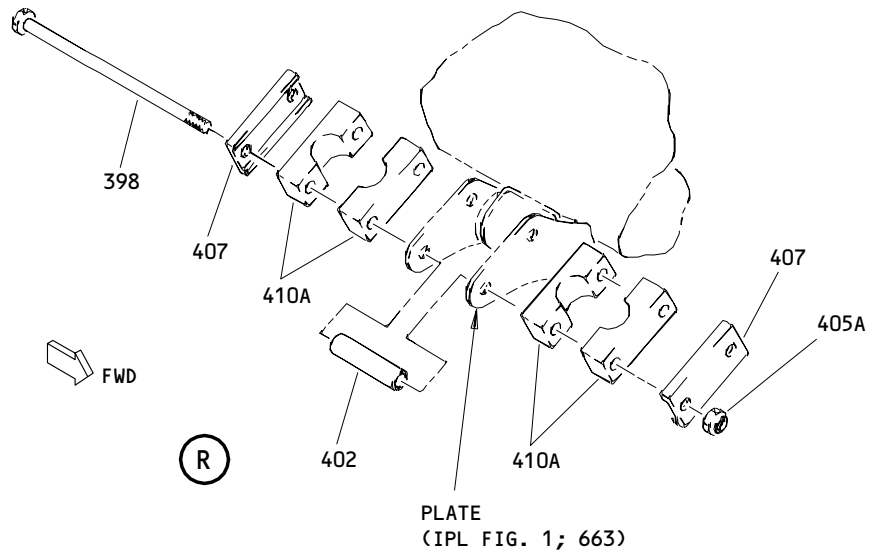
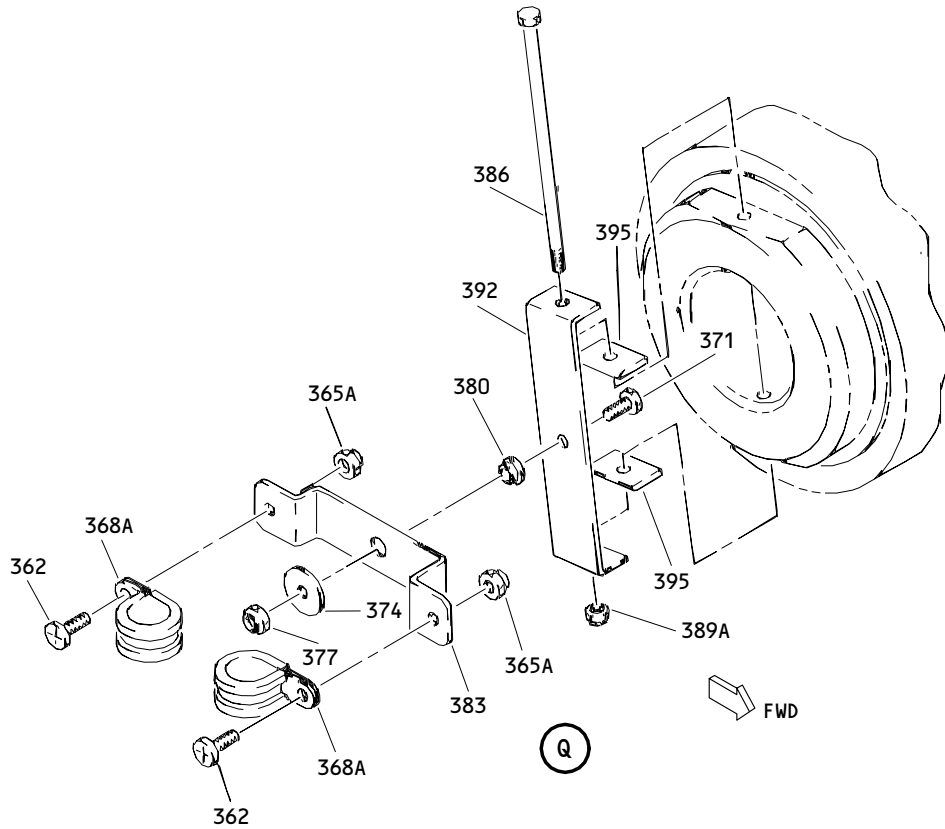
ILLUSTRATED PARTS LIST  
01.1 Page 1053  
Nov 01/05



Wire Provision Installation  
 Figure 3 (Sheet 4)

**32-11-20**

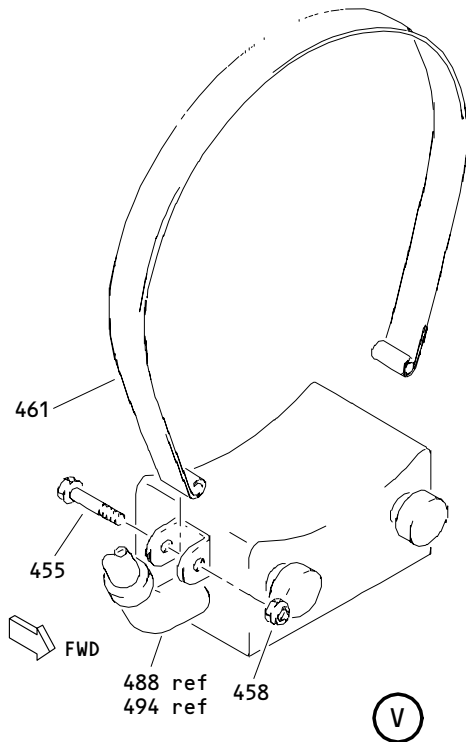
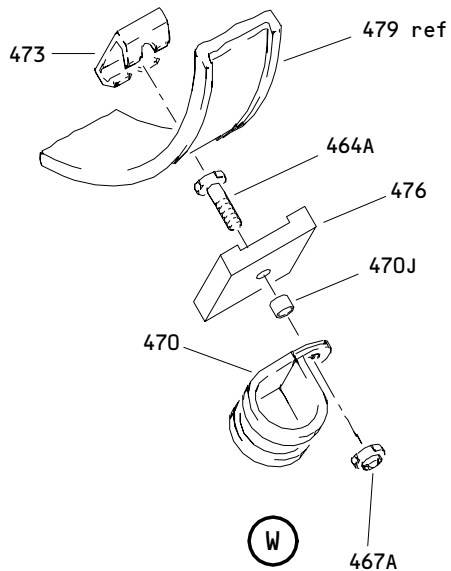
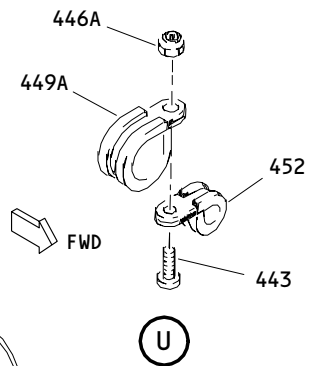
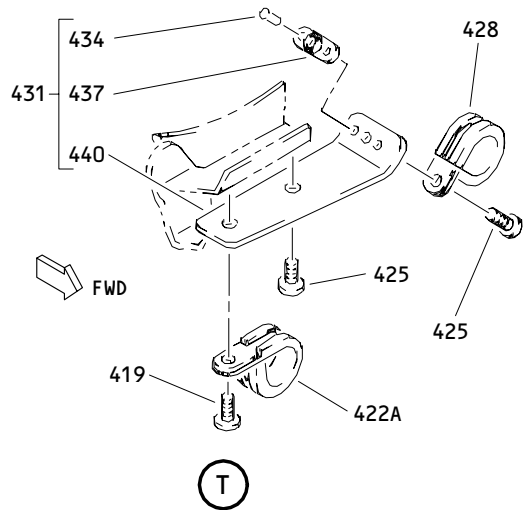
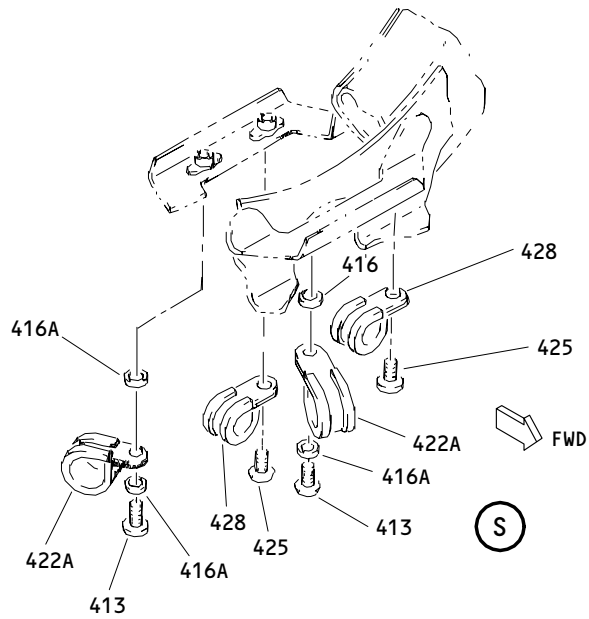
ILLUSTRATED PARTS LIST  
 01.1 Page 1054  
 Nov 01/05



Wire Provision Installation  
Figure 3 (Sheet 5)

**32-11-20**

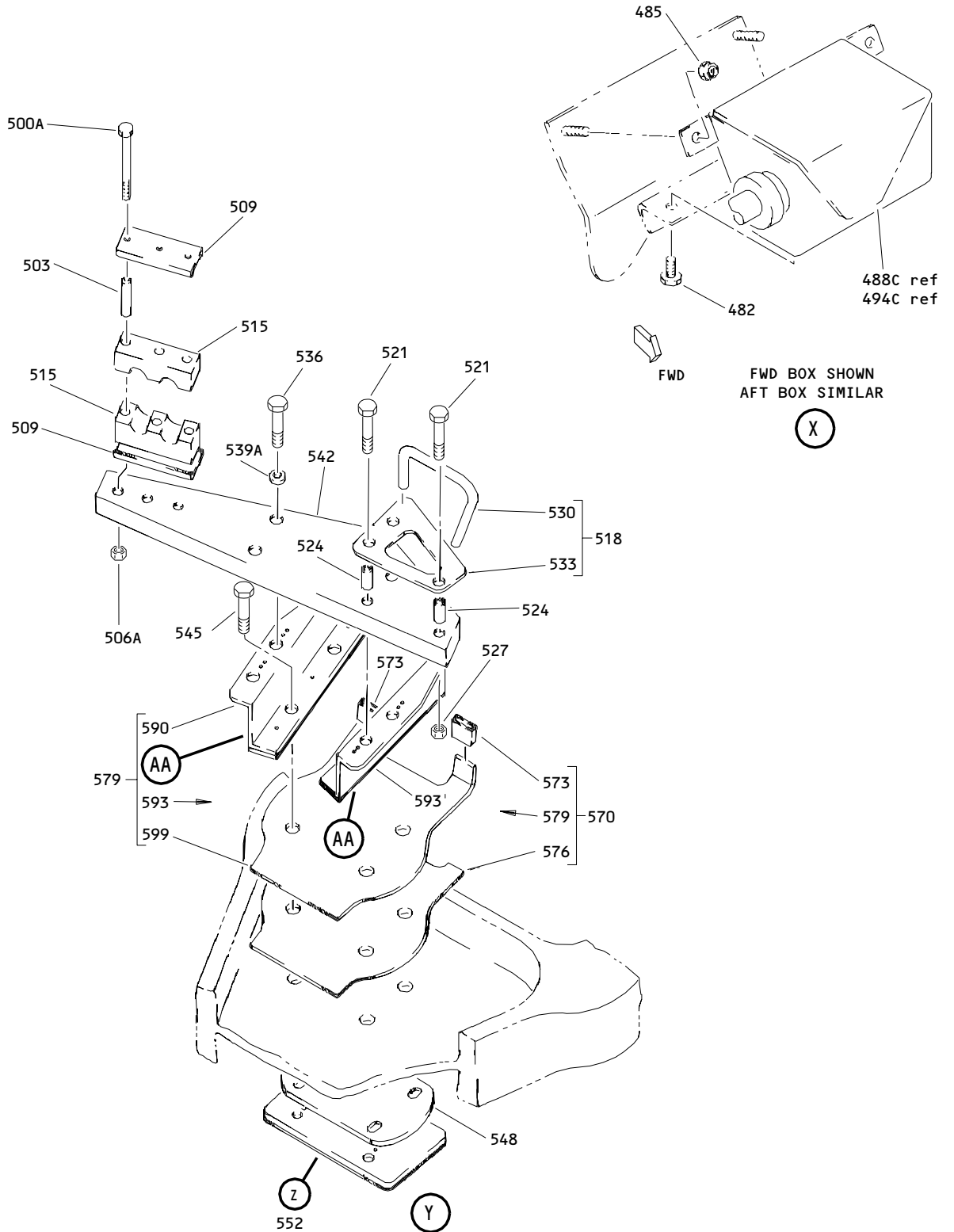
ILLUSTRATED PARTS LIST  
01.1 Page 1054A  
Nov 01/05



Wire Provision Installation  
 Figure 3 (Sheet 6)

**32-11-20**

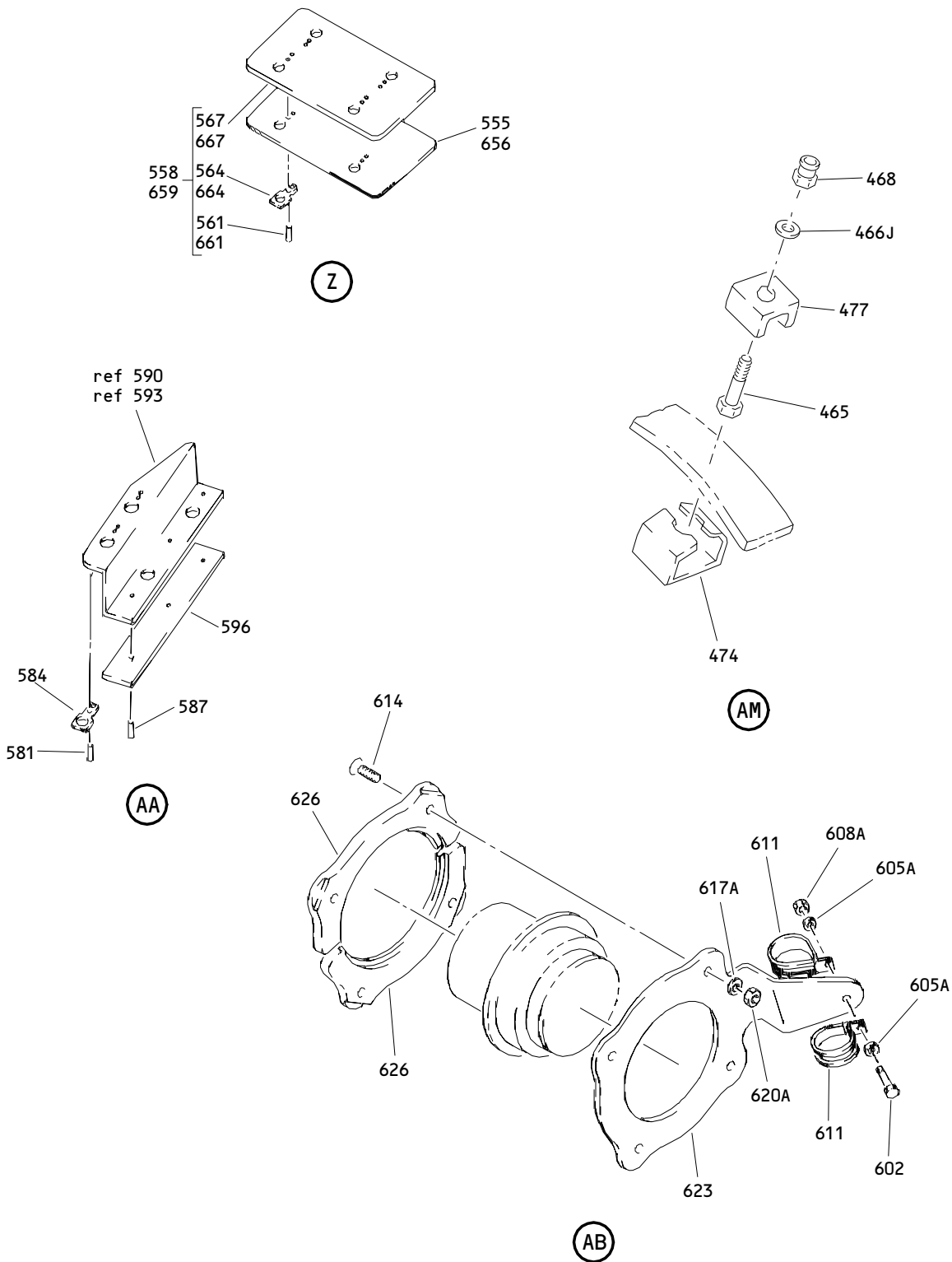
ILLUSTRATED PARTS LIST  
 01.1 Page 1054B  
 Nov 01/05



Wire Provision Installation  
Figure 3 (Sheet 7)

**32-11-20**

ILLUSTRATED PARTS LIST  
01.1 Page 1054C  
Nov 01/05



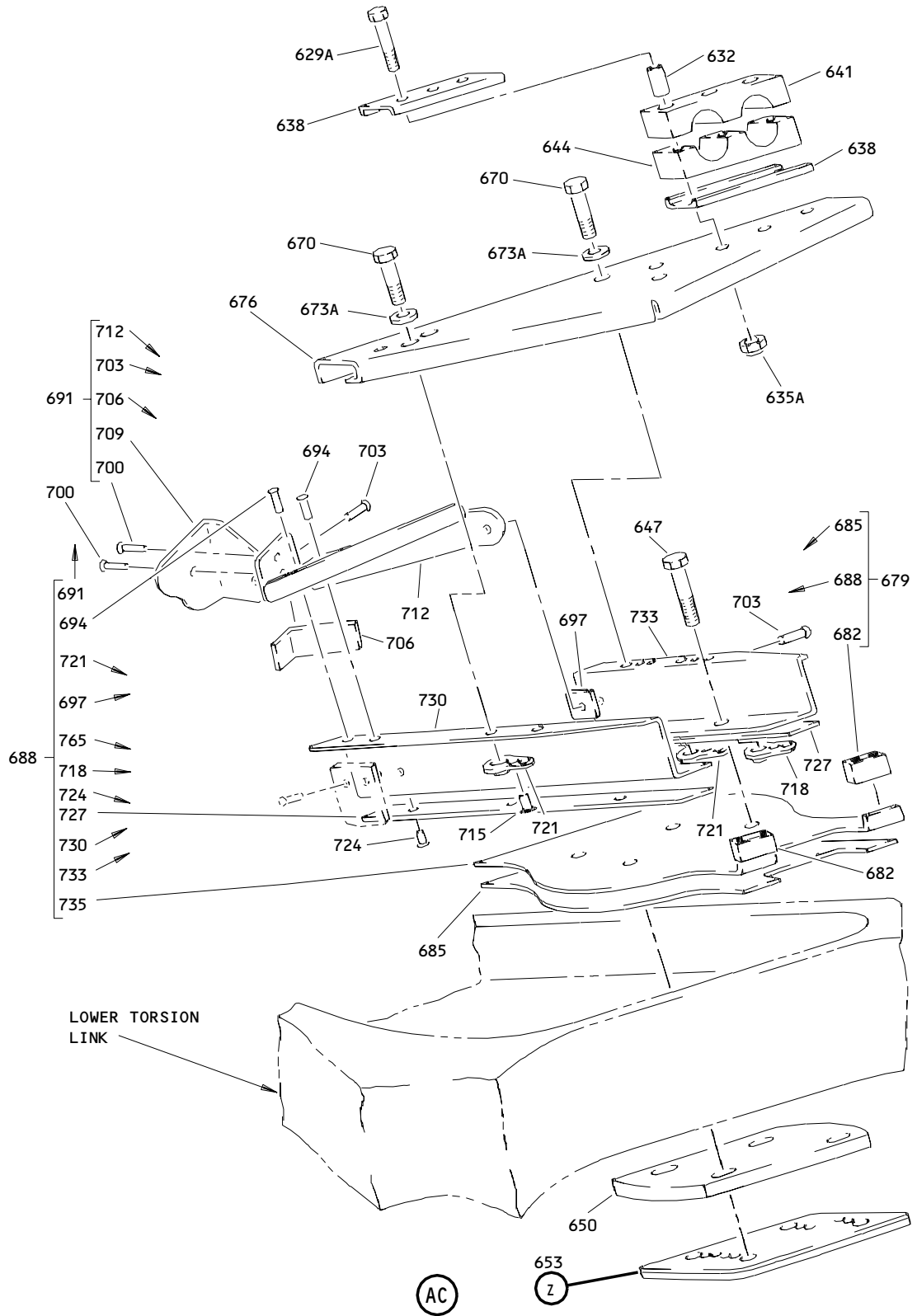
Main Landing Gear Assembly Wire Provision Installation  
 Figure 3 (Sheet 8)

**32-11-20**

ILLUSTRATED PARTS LIST  
 01.1 Page 1054D  
 Nov 01/05



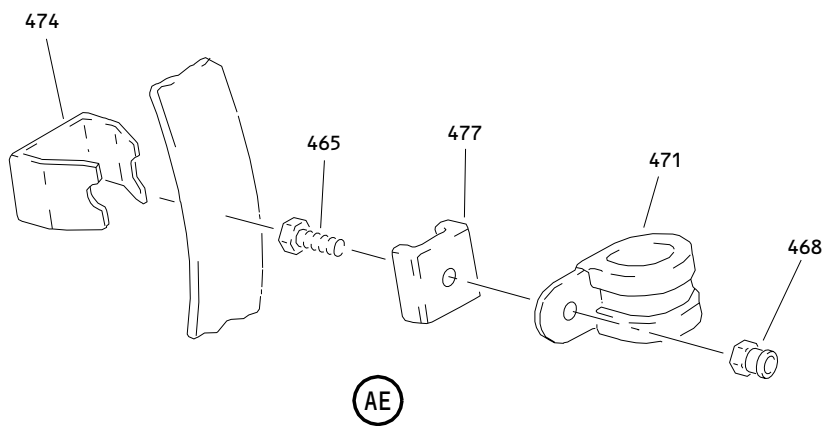
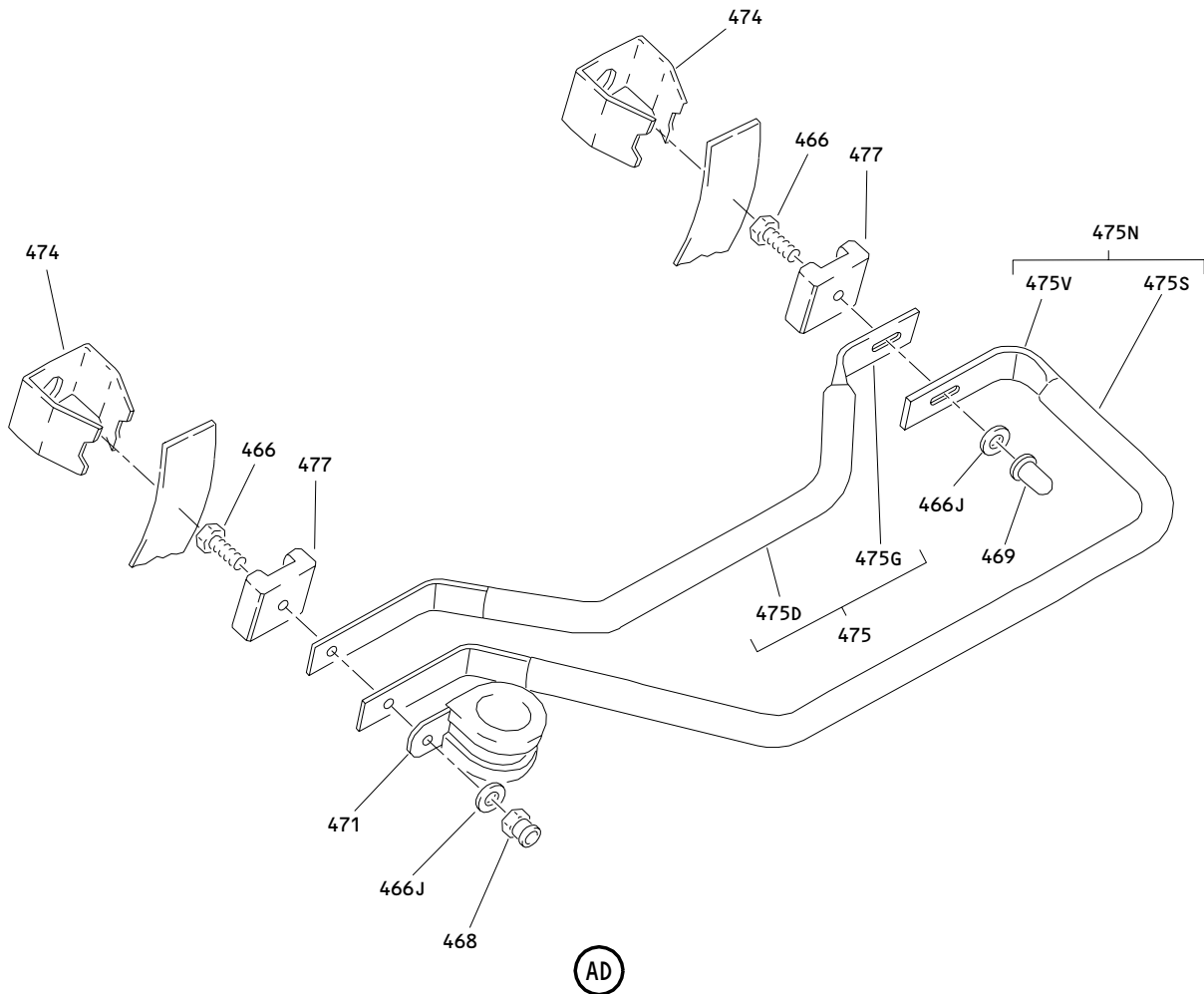
**BOEING**  
COMPONENT  
MAINTENANCE MANUAL



Wire Provision Installation  
Figure 3 (Sheet 9)

**32-11-20**

ILLUSTRATED PARTS LIST  
01.1 Page 1054E  
Nov 01/05



Wire Provision Installation  
 Figure 3 (Sheet 10)

**32-11-20**

ILLUSTRATED PARTS LIST  
 01.1 Page 1054F  
 Nov 01/05

FIG. & ITEM	PART NO.	AIRLINE PART NUMBER	NOMENCLATURE 1234567	EFF CODE	QTY PER ASSY
03- -1	287T0000-5		PROVISION INSTL-L MLG ASSY WIRE	A-BH, BP-BZ ,HY-J J	RF
-3	287T0000-6		PROVISION INSTL-R MLG ASSY WIRE	CA-EF ,EM,E Q-EZ, JK-JV	RF
-6 -6A	287T6101-5 287T6101-7		DELETED .PROVISION INSTL- (LIMITED)	A-BH, BP-BZ ,HY-J J	1
-6B	287T6101-9		.PROVISION INSTL- (LIMITED)	A-BH, BP-BZ ,HY-J J	1
-6C	287T6101-11		.PROVISION INSTL- (LIMITED)	A-BH, BP-BZ ,HY-J J	1
-6D	287T6101-13		DELETED		
-6E	287T6101-15		DELETED		
-6F	287T6101-17		DELETED		
-6G	287T6101-19		DELETED		
-6H	287T6101-21		.PROVISION INSTL- (LIMITED)	A-BH, BP-BZ ,HY-J J	1
-6J	287T6101-23		DELETED		
-6K	287T6101-31		DELETED		
-6L	287T6101-41		.PROVISION INSTL- (LIMITED)	A-BH, BP-BZ ,HY-J J	1
-7	287T6101-13		DELETED		
-7A	287T6101-15		DELETED		
-7B	287T6101-17		.PROVISION INSTL-TORSION LINK (LIMITED)	A-BH, BP-BZ ,HY-J J	1
-7C	287T6101-19		DELETED		
-7D	287T6101-29		DELETED		

32-11-20

FIG. & ITEM	PART NO.	AIRLINE PART NUMBER	NOMENCLATURE 1234567	EFF CODE	QTY PER ASSY
03- -7E	287T6101-33		.PROVISION INSTL-TORSION LINK (LIMITED)	A-BH, BP-BZ ,HY-J J	1
-7F	287T6101-19		.PROVISION INSTL-TORSION LINK (LIMITED)	A-BH, BP-BZ ,HY-J J	1
-7G	287T6101-35		.PROVISION INSTL-TORSION LINK (LIMITED)	A-BH, BP-BZ ,HY-J J	1
-9 -9A	287T6101-6 287T6101-8		DELETED .PROVISION INSTL- (LIMITED)	CA-EF ,EM,E Q-EZ, JK-JV	1
-9B	287T6101-10		.PROVISION INSTL- (LIMITED)	CA-EF ,EM,E Q-EZ, JK-JV	1
-9C	287T6101-12		.PROVISION INSTL- (LIMITED)	CA-EF ,EM,E Q-EZ, JK-JV	1
-9D	287T6101-14		DELETED		
-9E	287T6101-16		DELETED		
-9F	287T6101-18		DELETED		
-9G	287T6101-20		DELETED		
-9H	287T6101-22		.PROVISION INSTL- (LIMITED)	CA-EF ,EM,E Q-EZ, JK-JV	1
-9J	287T6101-24		DELETED		
-9K	287T6101-32		DELETED		
-9L	287T6101-42		.PROVISION INSTL- (LIMITED)	CA-EF ,EM,E Q-EZ, JK-JV	1
-10 -10A -10B	287T6101-14 287T6101-16 287T6101-18		DELETED DELETED .PROVISION INSTL-TORSION LINK (LIMITED)	CA-EF ,EM,E Q-EZ, JK-JV	1

# 32-11-20

 ILLUSTRATED PARTS LIST  
 01.1 Page 1054H  
 Nov 01/05

 **BOEING**  
COMPONENT  
MAINTENANCE MANUAL

FIG. & ITEM	PART NO.	AIRLINE PART NUMBER	NOMENCLATURE 1234567	EFF CODE	QTY PER ASSY
03-					
-10C	287T6101-20		DELETED		
-10D	287T6101-30		DELETED		
-10E	287T6101-34		.PROVISION INSTL-TORSION LINK (LIMITED)	CA-EF ,EM,E Q-EZ, JK-JV	1
-10F	287T6101-20		.PROVISION INSTL-TORSION LINK (LIMITED)	CA-EF ,EM,E Q-EZ, JK-JV	1
-10G	287T6101-36		.PROVISION INSTL-TORSION LINK (LIMITED)	CA-EF ,EM,E Q-EZ, JK-JV	1
12	NAS1801-3-7		..SCREW- (USED ON ITEMS 6A, 6B, 6C, 6H, 6L, 9A, 9B, 9C, 9H, 9L)	A-BH, BP-EF ,EM,E Q-EZ, HY-JV	4
15	AN960PD10L		DELETED		
15A	AN960JD10L		..WASHER- (USED ON ITEMS 6A, 6H, 6L, 9A, 9H, 9L)	A-BH, BP-EF ,EM,E Q-EZ, HY-JV	2
18	H10-3BAC		DELETED		
21	H10-3BAC		DELETED		
21A	MS21042L3		..NUT- (USED ON ITEMS 6A, 6B, 6C, 6H, 6L, 9A, 9B, 9C, 9H, 9L)	A-BH, BP-EF ,EM,E Q-EZ, HY-JV	2
24	S387SSH20		DELETED		
24A	470S25HT		..CLAMP- (V83930) (SPEC BACC10DM25) (OPT 8068XSC25 (V72285)) (OPT S305H25 (V18076)) (USED ON ITEMS 6A, 6H, 6L, 9A, 9H, 9L)	A-BH, BP-EF ,EM,E Q-EZ, HY-JV	2

**32-11-20**

ILLUSTRATED PARTS LIST  
01.1 Page 1054I  
Nov 01/05

FIG. & ITEM	PART NO.	AIRLINE PART NUMBER	NOMENCLATURE 1234567	EFF CODE	QTY PER ASSY
03- -24B	JM44SC1720CH		..CLAMP- (V22175) (SPEC BACC10GF20CH) (OPT JM45SC520CH (V22175)) (OPT S38720CH (V18076)) (OPT TA12C3420CH (V84971)) (OPT 51220CH (V83930)) (OPT S38620CH (V18076)) (OPT 51320CH (V83930)) (USED ON ITEMS 6B, 6C, 9B, 9C)	A-BH, BP-EF ,EM,E Q-EZ, HY-JV	2
27	NAS1801-3-8		..SCREW- (USED ON ITEMS 6A, 6B, 6C, 6H, 6L, 9A, 9C, 9H) 9L)	A-BH, BP-EF ,EM,E Q-EZ, HY-JV	4
30 30A	H10-3BAC MS21042L3		DELETED ..NUT- (USED ON ITEMS 6A, 6B, 6C, 6H, 6L, 9A, 9C, 9H, 9L)	A-BH, BP-EF ,EM,E Q-EZ, HY-JV	4
33	287T6111-43		..BRACKET- (USED ON ITEMS 6B, 6C, 9B, 9C)	A-BH, BP-EF ,EM,E Q-EZ, HY-JV	1
33A -33B 33C	287T6111-41 287T6111-71 287T6111-71		DELETED DELETED ..BRACKET ASSY- (USED ON ITEMS 6A, 6H, 6L, 9A, 9H, 9L)	A-BH, BP-EF ,EM,E Q-EZ, HY-JV	1

# 32-11-20

 ILLUSTRATED PARTS LIST  
 01.1 Page 1054J  
 Nov 01/05

FIG. & ITEM	PART NO.	AIRLINE PART NUMBER	NOMENCLATURE 1234567	EFF CODE	QTY PER ASSY
03-36 39	BACR15BA3AD BACR15BA3AD		DELETED ...RIVET- (SIZE DETERMINE ON INST)	A-BH, BP-EF ,EM,E Q-EZ, HY-JV	4
42 45	BRM100A3 BRM100A3		DELETED ...NUTPLATE- (V52828) (SPEC BACN10JP3B) (OPT MK2000-3BAC (V15653)) (OPT NS103198-02 (V80539)) (OPT RMA9207-3 (V72962)) (OPT T8077S1032 (V11815)) (OPT VN201A1-02 (V92215)) (OPT ITEM 45A)	A-BH, BP-EF ,EM,E Q-EZ, HY-JV	2
-45A	BR1000A3		...NUTPLATE- (V52828) (SPEC BACN10KB3) (OPT K2000-3 (V15653)) (OPT RMA9207-3 (V72962)) (OPT T8109S1032 (V11815)) (OPT VN101A1-02 (V92215)) (OPT K2000-3 (V15653)) (OPT ITEM 45)	A-BH, BP-EF ,EM,E Q-EZ, HY-JV	2

32-11-20

FIG. & ITEM	PART NO.	AIRLINE PART NUMBER	NOMENCLATURE 1234567	EFF CODE	QTY PER ASSY
03-48	287T6111-42		...BRACKET	A-BH, BP-EF ,EM,E Q-EZ, HY-JV	1
52	NAS1801-3-6		..SCREW- (USED ON ITEMS 6A, 6B, 6C, 6H, 6L, 9A, 9B, 9C, 9H, 9L)	A-BH, BP-EF ,EM,E Q-EZ, HY-JV	2
55 55A	H10-3BAC MS21042L3		DELETED ..NUT- (USED ON ITEMS 6A, 6B, 6C, 6H, 6L, 9A, 9B, 9C, 9H, 9L)	A-BH, BP-EF ,EM,E Q-EZ, HY-JV	2
58 58A	JM44LC13WS20R JM44LC13WS25R		DELETED ..CLAMP- (V22175) (SPEC BACC10GE25) (OPT S369WH25 (V18076)) (OPT TA12C32WS25 (V84971)) (OPT 509S25 (V83930)) (USED ON ITEMS 6A, 6H, 6L, 9A, 9H, 9L) (OPT ITEM 58B)	A-BH, BP-EF ,EM,E Q-EZ, HY-JV	2

# 32-11-20

 ILLUSTRATED PARTS LIST  
 01.1 Page 1054L  
 Nov 01/05



 **BOEING**  
COMPONENT  
MAINTENANCE MANUAL

FIG. & ITEM	PART NO.	AIRLINE PART NUMBER	NOMENCLATURE 1234567	EFF CODE	QTY PER ASSY
03- -58B	JM44LC13WH25R		..CLAMP- (V22175) (SPEC BACC10GE25C) (OPT S369WHSS25 (V18076)) (OPT TA12C32WH25 (V84971)) (OPT 509SS25 (V83930)) (USED ON ITEMS 6A, 6H, 6L, 9A, 9H, 9L) (OPT ITEM 58A)	A-BH, BP-EF ,EM,E Q-EZ, HY-JV	2
-58C	JM44LC13WS20R		..CLAMP- (V22175) (SPEC BACC10GE20) (OPT S369WH20 (V18076)) (OPT TA12C32WS20 (V84971)) (OPT 509S20 (V83930)) (USED ON ITEMS 6B, 6C, 9B, 9C)	A-BH, BP-EF ,EM,E Q-EZ, HY-JV	2
61	NAS1801-3-8		..SCREW- (USED ON ITEMS 6A, 6B, 6C, 6H, 6L, 9A, 9B, 9C, 9H, 9L)	A-BH, BP-EF ,EM,E Q-EZ, HY-JV	2
63	NAS6603-3		..BOLT- (USED ON ITEMS 6A, 6B, 6C, 6H, 6L, 9A, 9B, 9C, 9H, 9L)	A-BH, BP-EF ,EM,E Q-EZ, HY-JV	2

**32-11-20**

ILLUSTRATED PARTS LIST  
01.1 Page 1054M  
Nov 01/05

FIG. & ITEM	PART NO.	AIRLINE PART NUMBER	NOMENCLATURE 1234567	EFF CODE	QTY PER ASSY
03-66 66A	H10-3BAC MS21042L3		DELETED ..NUT- (USED ON ITEMS 6A, 6B, 6C, 6H, 6L, 9A, 9B, 9C, 9H, 9L)	A-BH, BP-EF ,EM,E Q-EZ, HY-JV	4
69	BACC15AN10		..CLIP- (USED ON ITEMS 6A, 6B, 6C, 6H, 6L, 9A, 9B, 9C, 9H, 9L)	A-BH, BP-EF ,EM,E Q-EZ, HY-JV	2
72	BACB19F10		..BLOCK- (USED ON ITEMS 6A, 6B, 6C, 6H, 6L, 9A, 9B, 9C, 9H, 9L)	A-BH, BP-EF ,EM,E Q-EZ, HY-JV	2
75 -75A 75B	287T6114-1 287T6114-7 287T6114-7		DELETED DELETED ..TUBE ASSY- (USED ON ITEMS 6A, 6B, 6C, 6H, 6L)	A-BH, BP-BZ ,HY-J J	1
-78 -78A -78B	287T6114-2 287T6114-8 287T6114-8		DELETED DELETED ..TUBE ASSY- (USED ON ITEMS 9A, 9B, 9C, 9H, 9L)	CA-EF ,EM,E Q-EZ, JK-JV	1
81 84	287T6114-5 287T6114-6		DELETED ...CLIP	A-BH, BP-EF ,EM,E Q-EZ, HY-JV	1

# 32-11-20

 ILLUSTRATED PARTS LIST  
 01.1 Page 1054N  
 Nov 01/05

FIG. & ITEM	PART NO.	AIRLINE PART NUMBER	NOMENCLATURE 1234567	EFF CODE	QTY PER ASSY
03-87	287T6114-11		...CLIP	A-BH, BP-EF ,EM,E Q-EZ, HY-JV	1
90 90A	287T6114-4 287T6114-10		DELETED ...CLIP	A-BH, BP-EF ,EM,E Q-EZ, HY-JV	2
93 93A	287T6114-3 287T6114-9		DELETED ...TUBE	A-BH, BP-EF ,EM,E Q-EZ, HY-JV	1
96	NAS6603-3		..BOLT- (USED ON ITEMS 6A, 6B, 6C, 6H, 6L, 9A, 9B, 9C, 9H, 9L)	A-BH, BP-EF ,EM,E Q-EZ, HY-JV	1
99 99A	H10-3BAC MS21042L3		DELETED ..NUT- (USED ON ITEMS 6A, 6B, 6C, 6H, 6L, 9A, 9B, 9C, 9H, 9L)	A-BH, BP-EF ,EM,E Q-EZ, HY-JV	1
102	BC4083-101S		..CLAMP- (V14242) (SPEC BACC10FY101S) (OPT B06A101S (V10234)) (OPT 3140AB101 (V94581)) (OPT B06A101S (V10234)) (OPT MBC68941-101 (V8W928)) (USED ON ITEMS 6A, 6B, 6C, 6H, 6L, 9A, 9B, 9C, 9H, 9L)	A-BH, BP-EF ,EM,E Q-EZ, HY-JV	1

32-11-20

FIG. & ITEM	PART NO.	AIRLINE PART NUMBER	NOMENCLATURE 1234567	EFF CODE	QTY PER ASSY
03-105	BACC15AN10		..CLIP- (USED ON ITEMS 6A, 6B, 6C, 6H, 6L, 9A, 9B, 9C, 9H, 9L)	A-BH, BP-EF ,EM,E Q-EZ, HY-JV	1
108 108A	JM44LC13WS20R JM44LC13WS25R		DELETED ..CLAMP- (V22175) (SPEC BACC10GE25) (OPT S369WH25 (V18076)) (OPT TA12C32WS25 (V84971)) (OPT 509S25 (V83930)) (OPT ITEM 108B) (USED ON ITEMS 6A, 6H, 6L, 9A, 9H, 9L)	A-BH, BP-EF ,EM,E Q-EZ, HY-JV	1
-108B	JM44LC13WH25R		..CLAMP- (V22175) (SPEC BACC10GE25C) (OPT S369WHSS25 (V18076)) (OPT TA12C32WH25 (V84971)) (OPT 509SS25 (V83930)) (OPT ITEM 108A) (USED ON ITEMS 6A, 6H, 6L, 9A, 9H, 9L)	A-BH, BP-EF ,EM,E Q-EZ, HY-JV	1

# 32-11-20

 ILLUSTRATED PARTS LIST  
 01.1 Page 1054P  
 Nov 01/05

FIG. & ITEM	PART NO.	AIRLINE PART NUMBER	NOMENCLATURE 1234567	EFF CODE	QTY PER ASSY
03- -108C	JM44LC13WS20R		..CLAMP- (V22175) (SPEC BACC10GE20) (OPT S369WH20 (V18076)) (OPT TA12C32WS20 (V84971)) (OPT 509S20 (V83930)) (USED ON ITEMS 6B, 6C, 9B, 9C)	A-BH, BP-EF ,EM,E Q-EZ, HY-JV	1
111	BACB19F10		..BLOCK- (USED ON ITEMS 6A, 6B, 6C, 6H, 6L, 9A, 9B, 9C, 9H, 9L)	A-BH, BP-EF ,EM,E Q-EZ, HY-JV	1
114	NAS6603-10		..BOLT- (USED ON ITEMS 6A, 6B, 6C, 6H, 6L, 9A, 9B, 9C, 9H, 9L)	A-BH, BP-EF ,EM,E Q-EZ, HY-JV	1
117	NAS42DD6-28		..SPACER- (USED ON ITEMS 6A, 6B, 6C, 6H, 6L, 9A, 9B, 9C, 9H, 9L)	A-BH, BP-EF ,EM,E Q-EZ, HY-JV	1
120 120A	H10-3BAC MS21042L3		DELETED ..NUT- (USED ON ITEMS 6A, 6B, 6C, 6H, 6L, 9A, 9B, 9C, 9H, 9L)	A-BH, BP-EF ,EM,E Q-EZ, HY-JV	1

**32-11-20**

FIG. & ITEM	PART NO.	AIRLINE PART NUMBER	NOMENCLATURE 1234567	EFF CODE	QTY PER ASSY
03-123	BACC15AN10		..CLIP- (USED ON ITEMS 6A, 6B, 6C, 6H, 6L, 9A, 9B, 9C, 9H, 9L)	A-BH, BP-EF ,EM,E Q-EZ, HY-JV	1
126 126A	JM44LC13WS20R JM44LC13WS25R		DELETED ..CLAMP- (V22175) (SPEC BACC10GE25) (OPT S369WH25 (V18076)) (OPT TA12C32WS25 (V84971)) (OPT 509S25 (V83930)) (OPT ITEM 126B) (USED ON ITEMS 6A, 6H, 6L, 9A, 9H, 9L)	A-BH, BP-EF ,EM,E Q-EZ, HY-JV	1
-126B	JM44LC13WH25R		..CLAMP- (V22175) (SPEC BACC10GE25C) (OPT S369WHSS25 (V18076)) (OPT TA12C32WH25 (V84971)) (OPT 509SS25 (V83930)) (OPT ITEM 126A) (USED ON ITEMS 6A, 6H, 6L, 9A, 9H, 9L)	A-BH, BP-EF ,EM,E Q-EZ, HY-JV	1

# 32-11-20

 ILLUSTRATED PARTS LIST  
 01.1 Page 1054R  
 Nov 01/05

 **BOEING**  
COMPONENT  
MAINTENANCE MANUAL

FIG. & ITEM	PART NO.	AIRLINE PART NUMBER	NOMENCLATURE 1234567	EFF CODE	QTY PER ASSY
03- -126C	JM44LC13WS20R		..CLAMP- (V22175) (SPEC BACC10GE20) (OPT S369WH20 (V18076)) (OPT TA12C32WS20 (V84971)) (OPT 509S20 (V83930)) (USED ON ITEMS 6B, 6C, 9B, 9C)	A-BH, BP-EF ,EM,E Q-EZ, HY-JV	1
129	BACB19F10		..BLOCK- (USED ON ITEMS 6A, 6B, 6C, 6H, 6L, 9A, 9B, 9C, 9H, 9L)	A-BH, BP-EF ,EM,E Q-EZ, HY-JV	1
132	NAS1801-3-6		..SCREW- (USED ON ITEMS 6A, 6B, 6C, 6H, 6L, 9A, 9B, 9C, 9H, 9L)	A-BH, BP-EF ,EM,E Q-EZ, HY-JV	1
135 135A	H10-3BAC MS21042L3		DELETED ..NUT- (USED ON ITEMS 6A, 6B, 6C, 6H, 6L, 9A, 9B, 9C, 9H, 9L)	A-BH, BP-EF ,EM,E Q-EZ, HY-JV	1
138 138A	JM44LC13WS20R JM44LC13WS25R		DELETED ..CLAMP- (V22175) (SPEC BACC10GE25) (OPT S369WH25 (V18076)) (OPT TA12C32WS25 (V84971)) (OPT 509S25 (V83930)) (OPT ITEM 138B) (USED ON ITEMS 6A, 6H, 6L, 9A, 9H, 9L)	A-BH, BP-EF ,EM,E Q-EZ, HY-JV	1

32-11-20

FIG. & ITEM	PART NO.	AIRLINE PART NUMBER	NOMENCLATURE 1234567	EFF CODE	QTY PER ASSY
03- -138B	JM44LC13WH25R		..CLAMP- (V22175) (SPEC BACC10GE25C) (OPT S369WHSS25 (V18076)) (OPT TA12C32WH25 (V84971)) (OPT 509SS25 (V83930)) (OPT ITEM 138A) (USED ON ITEMS 6A, 6H, 6L, 9A, 9H, 9L)	A-BH, BP-EF ,EM,E Q-EZ, HY-JV	1
-138C	JM44LC13WS20R		..CLAMP- (V22175) (SPEC BACC10GE20) (OPT S369WH20 (V18076)) (OPT TA12C32WS20 (V84971)) (OPT 509S20 (V83930)) (USED ON ITEMS 6B, 6C, 9B, 9C)	A-BH, BP-EF ,EM,E Q-EZ, HY-JV	1
141 141A	H10-3BAC NAS6603-3		DELETED ..BOLT- (USED ON ITEMS 6A, 6B, 6C, 6H, 6L, 9A, 9B, 9C, 9H, 9L)	A-BH, BP-EF ,EM,E Q-EZ, HY-JV	4
144 144A	H10-3BAC MS21042L3		DELETED ..NUT- (USED ON ITEMS 6A, 6B, 6C, 6H, 6L, 9A, 9B, 9C, 9H, 9L)	A-BH, BP-EF ,EM,E Q-EZ, HY-JV	4
147	BACC15AN10		..CLIP- (USED ON ITEMS 6A, 6B, 6C, 6H, 6L, 9A, 9B, 9C, 9H, 9L)	A-BH, BP-EF ,EM,E Q-EZ, HY-JV	4
150	BACB19F10		..BLOCK- (USED ON ITEMS 6A, 6B, 6C, 6H, 6L, 9A, 9B, 9C, 9H, 9L)	A-BH, BP-EF ,EM,E Q-EZ, HY-JV	4

# 32-11-20

 ILLUSTRATED PARTS LIST  
 01.1 Page 1054T  
 Nov 01/05



 **BOEING**  
COMPONENT  
MAINTENANCE MANUAL

FIG. & ITEM	PART NO.	AIRLINE PART NUMBER	NOMENCLATURE 1234567	EFF CODE	QTY PER ASSY
03-153	BC1083-116S		..CLAMP- (V14242) (SPEC BACC10FY116S) (OPT 3140AB116 (V94581)) (OPT 57490-116 (V98625)) (OPT B06A116S (V10234)) (OPT MBC68941-116 (V8W928)) (USED ON ITEMS 6A, 6B, 6C, 6H, 6L, 9A, 9B, 9C, 9H, 9L)	A-BH, BP-EF ,EM,E Q-EZ, HY-JV	2
156	287T6104-33		DELETED		
-156A	287T6104-23		DELETED		
-156B	287T6104-45		DELETED		
156C	287T6104-55		..WIRE HARNESS ASSY-UPR (USED ON ITEM 6H) (REF CMM 32-10-52)	A-BH, BP-BZ ,HY-J J	1
-156D	287T6104-61		DELETED		
-156E	287T6104-71		DELETED		
-156F	287T6104-23		..HARNESS ASSY-UPR (USED ON ITEM 6B) (REF CMM 32-10-51)	A-BH, BP-BZ ,HY-J J	1
156G	287T6104-33		..HARNESS ASSY-UPR (USED ON ITEM 6C) (REF CMM 32-10-51)	A-BH, BP-BZ ,HY-J J	1
-156H	287T6104-45		..HARNESS ASSY-UPR (USED ON ITEM 6A) (REF CMM 32-10-51)	A-BH, BP-BZ ,HY-J J	1
-156J	287T6104-73		..WIRE HARNESS ASSY-UPR (USED ON ITEM 6L) (REF CMM 32-10-52)	A-BH, BP-BZ ,HY-J J	1

**32-11-20**

ILLUSTRATED PARTS LIST  
01.1 Page 1054U  
Nov 01/05

FIG. & ITEM	PART NO.	AIRLINE PART NUMBER	NOMENCLATURE 1234567	EFF CODE	QTY PER ASSY
03-					
-159	287T6104-34		DELETED		
-159A	287T6104-24		DELETED		
-159B	287T6104-46		DELETED		
-159C	287T6104-56		..WIRE HARNESS ASSY-UPR (USED ON ITEM 9H) (REF CMM 32-10-52)	CA-EF ,EM,E Q-EZ, JK-JV	1
-159D	287T6104-62		DELETED		
-159E	287T6104-72		DELETED		
-159F	287T6104-24		..HARNESS ASSY-UPR (USED ON ITEM 9B) (REF CMM 32-10-51)	CA-EF ,EM,E Q-EZ, JK-JV	1
-159G	287T6104-34		..HARNESS ASSY-UPR (USED ON ITEM 9C) (REF CMM 32-10-51)	CA-EF ,EM,E Q-EZ, JK-JV	1
-159H	287T6104-46		..HARNESS ASSY-UPR (USED ON ITEM 9A) (REF CMM 32-10-51)	CA-EF ,EM,E Q-EZ, JK-JV	1
-159J	287T6104-74		..WIRE HARNESS ASSY-UPR (USED ON ITEM 9L) (REF CMM 32-10-52)	CA-EF ,EM,E Q-EZ, JK-JV	1
162	NAS6603-3		..BOLT- (USED ON ITEMS 6A, 6B, 6C, 6H, 9A, 9B, 9C, 9H)	A-BH, BP-EF ,EM,E Q-EZ, HY-JV	1

# 32-11-20

 ILLUSTRATED PARTS LIST  
 01.1 Page 1054V  
 Nov 01/05

 **BOEING**  
COMPONENT  
MAINTENANCE MANUAL

FIG. & ITEM	PART NO.	AIRLINE PART NUMBER	NOMENCLATURE 1234567	EFF CODE	QTY PER ASSY
03- 165 165A	H10-3BAC MS21042L3		DELETED ..NUT- (USED ON ITEMS 6A, 6B, 6C, 6H, 6L, 9A, 9B, 9C, 9H, 9G)	A-BH, BP-EF ,EM,E Q-EZ, HY-JV	1
168	BACC15AN10		..CLIP- (USED ON ITEMS 6A, 6B, 6C, 6H, 6L, 9A, 9B, 9C, 9H, 9L)	A-BH, BP-EF ,EM,E Q-EZ, HY-JV	1
171	BACB19F10		..BLOCK- (USED ON ITEMS 6A, 6B, 6C, 6H, 6L, 9A, 9B, 9C, 9H, 9L)	A-BH, BP-EF ,EM,E Q-EZ, HY-JV	1
174 174A	JM44LC13WS10R JM44LC13WS12R		DELETED ..CLAMP- (V22175) (SPEC BACC10GE12) (OPT S369WH12 (V18076)) (OPT TA12C32WS12 (V84971)) (OPT 509S12 (V83930)) (USED ON ITEMS 6A, 6B, 6H, 6L, 9A, 9B, 9H, 9L)	A-BH, BP-EF ,EM,E Q-EZ, HY-JV	1
-174B -174C -174D	JM44LC39S110 JM44LC53S110RG JM44LC13WS10R		DELETED DELETED ..CLAMP- (V22175) (SPEC BACC10GE10) (OPT S369WH10 (V18076)) (OPT TA12C32WS10 (V84971)) (OPT 509S10 (V83930)) (USED ON ITEMS 6C, 9C) (PRE SB 767-27A0160)	A-BH, BP-EF ,EM,E Q-EZ, HY-JV	1

32-11-20

FIG. & ITEM	PART NO.	AIRLINE PART NUMBER	NOMENCLATURE 1234567	EFF CODE	QTY PER ASSY
03- -174E	JM44LC13WS12R		..CLAMP- (V22175) (SPEC BACC10GE12) (OPT S369WH12 (V18076)) (OPT TA12C32WS12 (V84971)) (OPT 509S12 (V83930)) (USED ON ITEMS 6C, 9C) (POST SB 767-27A0160)	A-BH, BP-EF ,EM,E Q-EZ, HY-JV	1
177	NAS1801-3-6		..SCREW- (USED ON ITEMS 6A, 6B, 6C, 6H, 6L, 9A, 9B, 9C, 9H, 9L)	A-BH, BP-EF ,EM,E Q-EZ, HY-JV	2
178	NAS1801-3-6		DELETED		
179	MS21042L3		DELETED		
180	NAS1801-3-7		..SCREW- (USED ON ITEMS 6A, 6B, 6C, 6H, 6L, 9A, 9B, 9C, 9H, 9L)	A-BH, BP-EF ,EM,E Q-EZ, HY-JV	2
182	287N6104-3		DELETED		
183	H10-3BAC		DELETED		
183A	MS21042L3		..NUT- (USED ON ITEMS 6A, 6B, 6C, 6H, 6L, 9A, 9B, 9C, 9H, 9L)	A-BH, BP-EF ,EM,E Q-EZ, HY-JV	4

# 32-11-20

 **BOEING**  
COMPONENT  
MAINTENANCE MANUAL

FIG. & ITEM	PART NO.	AIRLINE PART NUMBER	NOMENCLATURE 1234567	EFF CODE	QTY PER ASSY
03- 184 -185 186 186A	287T6111-85 287T6111-86 JM44LC13WS10R JM44LC13WS12R		DELETED DELETED DELETED ..CLAMP- (V22175) (SPEC BACC10GE12) (OPT S369WH12 (V18076)) (OPT TA12C32WS12 (V84971)) (OPT 509S12 (V83930)) (USED ON ITEMS 6A, 6B, 6H, 6L, 9A, 9B, 9H, 9L)	A-BH, BP-EF ,EM,E Q-EZ, HY-JV	8
-186B -186C -186D	JM44LC39S110 JM44LC53S110RG JM44LC13WS10R		DELETED DELETED ..CLAMP- (V22175) (SPEC BACC10GE10) (OPT S369WH10 (V18076)) (OPT TA12C32WS10 (V84971)) (OPT 509S10 (V83930)) (USED ON ITEMS 6C, 9C) (PRE SB 767-27A0160)	A-BH, BP-EF ,EM,E Q-EZ, HY-JV	8
-186E	JM44LC13WS12R		..CLAMP- (V22175) (SPEC BACC10GE12) (OPT S369WH12 (V18076)) (OPT TA12C32WS12 (V84971)) (OPT 509S12 (V83930)) (USED ON ITEMS 6C, 9C) (POST SB 767-27A0160)	A-BH, BP-EF ,EM,E Q-EZ, HY-JV	8

32-11-20

FIG. & ITEM	PART NO.	AIRLINE PART NUMBER	NOMENCLATURE 1234567	EFF CODE	QTY PER ASSY
03- 187 -188 189	287T6111-81 287T6111-82 NAS1801-3-7		DELETED DELETED ..SCREW- (USED ON ITEMS 6A, 6B, 6C, 6H, 6L, 9A, 9B, 9C, 9H, 9L)	A-BH, BP-EF ,EM,E Q-EZ, HY-JV	2
190 -190A -190B 192 192A	JM44LC13WS12R JM44LC13WS15R JM44LC13WS10R JM44LC13WS10R JM44LC13WS12R		DELETED DELETED DELETED DELETED ..CLAMP- (V22175) (SPEC BACC10GE12) (OPT S369WH12 (V18076)) (OPT TA12C32WS12 (V84971)) (OPT 509S12 (V83930)) (USED ON ITEMS 6A, 6B, 6H, 6L, 9A, 9B, 9H, 9L)	A-BH, BP-EF ,EM,E Q-EZ, HY-JV	2
-192B -192C -192D	JM44LC39S110 JM44LC53S110RG JM44LC13WS10R		DELETED DELETED ..CLAMP- (V22175) (SPEC BACC10GE10) (OPT S369WH10 (V18076)) (OPT TA12C32WS10 (V84971)) (OPT 509S10 (V83930)) (USED ON ITEMS 6C, 9C) (PRE SB 767-27A0160)	A-BH, BP-EF ,EM,E Q-EZ, HY-JV	2

# 32-11-20

 ILLUSTRATED PARTS LIST  
 01.1 Page 1054Z  
 Nov 01/05

 **BOEING**  
COMPONENT  
MAINTENANCE MANUAL

FIG. & ITEM	PART NO.	AIRLINE PART NUMBER	NOMENCLATURE 1234567	EFF CODE	QTY PER ASSY
03- -192E	JM44LC13WS12R		..CLAMP- (V22175) (SPEC BACC10GE12) (OPT S369WH12 (V18076)) (OPT TA12C32WS12 (V84971)) (OPT 509S12 (V83930)) (USED ON ITEMS 6C, 9C) (POST SB 767-27A0160)	A-BH, BP-EF ,EM,E Q-EZ, HY-JV	2
195	AN970-8		..WASHER- (USED ON ITEMS 6A, 6B, 6C, 6H, 6L, 9A, 9B, 9C, 9H, 9L)	A-BH, BP-EF ,EM,E Q-EZ, HY-JV	1
198	NAS77A16-10		..BUSHING- (OPT ITEMS 198A, 198B) (USED ON ITEMS 6A, 6B, 6C, 6H, 7H, 9A, 9B, 9C, 9H, 10H)	A-BH, BP-EF ,EM,E Q-EZ, HY-JV	1
-198A	NAS77A16-10P		..BUSHING- (OPT ITEMS 198, 198B) (USED ON ITEMS 6A, 6B, 6C, 6H, 6L, 9A, 9B, 9C, 9H, 9L)	A-BH, BP-EF ,EM,E Q-EZ, HY-JV	1
-198B	BACB28X16M010		..BUSHING- (OPT ITEMS 198, 198A) (USED ON ITEMS 6A, 6B, 6C, 6H, 6L, 9A, 9B, 9C, 9H, 9L)	A-BH, BP-EF ,EM,E Q-EZ, HY-JV	1

**32-11-20**

ILLUSTRATED PARTS LIST  
01.1 Page 1055  
Nov 01/05

FIG. & ITEM	PART NO.	AIRLINE PART NUMBER	NOMENCLATURE 1234567	EFF CODE	QTY PER ASSY
03-201	287T6109-1		..BRACKET ASSY-CLAMP (USED ON ITEMS 6A, 6B, 6C, 6H, 6L, 9A, 9B, 9C, 9H, 9L)	A-BH, BP-EF ,EM,E Q-EZ, HY-JV	1
201A 204	287T6111-72 BACR15BA3AD		DELETED ...RIVET- (SIZE DETERMINE ON INST)	A-BH, BP-EF ,EM,E Q-EZ, HY-JV	4
207	T8097S1032K		...NUTPLATE- (V11815) (SPEC BACN10KA3A) (OPT NS103226-02 (V80539))	A-BH, BP-EF ,EM,E Q-EZ, HY-JV	2
210	287T6109-2		...BRACKET	A-BH, BP-EF ,EM,E Q-EZ, HY-JV	1
-210A	287T6111-73		DELETED		
212	NAS6603-10		DELETED		
213	NAS6603-27		DELETED		
214	NAS6603-4		DELETED		
216	H10-3BAC		DELETED		
216A	AN960C10		DELETED		
218	AN960C10L		DELETED		
219	287T6111-10		DELETED		
220	MS21042L3		DELETED		
222	287T6116-3		DELETED		
-222A	287T6116-1		DELETED		

# 32-11-20

 ILLUSTRATED PARTS LIST  
 01.1 Page 1056  
 Nov 01/05



FIG. & ITEM	PART NO.	AIRLINE PART NUMBER	NOMENCLATURE 1234567	EFF CODE	QTY PER ASSY
03-					
222B	NAS43HT3-22		DELETED		
224	BACC15AN10		DELETED		
225	287T6116-9		DELETED		
-225A	287T6116-8		DELETED		
226A	BACB19F10		DELETED		
228	NAS1801-3-8		DELETED		
231	NAS6603-54		DELETED		
232	287T6131-10		DELETED		
234	NAS42DD6-160		DELETED		
234A	287T6131-12		DELETED		
236	287T6131-11		DELETED		
237	H10-3BAC		DELETED		
238	287T6131-7		DELETED		
240	NMCG51HB		DELETED		
240A	287T6131-9		DELETED		
242	287T6131-8		DELETED		
243	NMCG51HB		DELETED		
244	287T6111-83		DELETED		
246	287T6111-35		DELETED		
-246A	287T6111-36		DELETED		
249	BACF3F008B020NG		DELETED		
252	NAS1801-3-12		DELETED		
255	H10-3BAC		DELETED		
258	287T6111-33		DELETED		
261	287T6113-3		DELETED		
264	287T6113-4		DELETED		
267	NAS1801-3-11		DELETED		
270	H10-3BAC		DELETED		
273	287T6111-34		DELETED		
276	287T6111-32		DELETED		
279	NAS6603-27		DELETED		
282	H10-3BAC		DELETED		
285	287T6111-10		DELETED		

**32-11-20**

FIG. & ITEM	PART NO.	AIRLINE PART NUMBER	NOMENCLATURE 1234567	EFF CODE	QTY PER ASSY
03-					
288	287T6116-3		DELETED		
-288A	287T6116-1		DELETED		
291	287T6116-9		DELETED		
-291A	287T6116-8		DELETED		
294	NAS1801-3-8		DELETED		
297	NAS6603-54		DELETED		
300	NAS42DD6-160		DELETED		
303	H10-3BAC		DELETED		
305	NMCG51HB		DELETED		
308	NMCG51HB		DELETED		
311	287T6111-37		DELETED		
-311A	287T6111-38		DELETED		
314	NAS1801-3-12		DELETED		
314A	BACF3F008B020NG		DELETED		
317	NAS1801-3-12		DELETED		
320	H10-3BAC		DELETED		
323	287T6111-33		DELETED		
326	287T6113-3		DELETED		
329	287T6113-4		DELETED		
332	NAS1801-3-11		DELETED		
335	H10-3BAC		DELETED		
338	287T6111-34		DELETED		
341	287T6111-32		DELETED		
344	NAS1801-3-7		DELETED ..SCREW- (USED ON ITEMS 6A, 6B, 6C, 6H, 6L, 9A, 9B, 9C, 9H, 9L)	A-BH, BP-EF ,EM,E Q-EZ, HY-JV	2
347	H10-3BAC		DELETED		
347A	MS21042L3		DELETED ..NUT- (USED ON ITEMS 6A, 6B, 6C, 6H, 6L, 9A, 9B, 9C, 9H, 9L)	A-BH, BP-EF ,EM,E Q-EZ, HY-JV	2

# 32-11-20

 ILLUSTRATED PARTS LIST  
 01.1 Page 1056B  
 Nov 01/05

FIG. & ITEM	PART NO.	AIRLINE PART NUMBER	NOMENCLATURE 1234567	EFF CODE	QTY PER ASSY
03- 350 350A	JM44LC13WS10R JM44LC13WS12R		DELETED ..CLAMP- (V22175) (SPEC BACC10GE12) (OPT S369WH12 (V18076)) (OPT TA12C32WS12 (V84971)) (OPT 509S12 (V83930)) (USED ON ITEMS 6A, 6B, 6H, 6L, 9A, 9B, 9H, 9L)	A-BH, BP-EF ,EM,E Q-EZ, HY-JV	2
-350B -350C -350D	JM44LC39S110 JM44LC53S110RG JM44LC13WS10R		DELETED DELETED ..CLAMP- (V22175) (SPEC BACC10GE10) (OPT S369WH10 (V18076)) (OPT TA12C32WS10 (V84971)) (OPT 509S10 (V83930)) (USED ON ITEMS 6C, 9C)	A-BH, BP-EF ,EM,E Q-EZ, HY-JV	2
353 356 359 362	NAS1801-3-6 H10-3BAC JM44LC13WS12R NAS1801-3-7		DELETED DELETED DELETED ..SCREW- (USED ON ITEMS 6A, 6B, 6C, 6H, 6L, 9A, 9B, 9C, 9H, 9L)	A-BH, BP-EF ,EM,E Q-EZ, HY-JV	2

32-11-20

FIG. & ITEM	PART NO.	AIRLINE PART NUMBER	NOMENCLATURE 1234567	EFF CODE	QTY PER ASSY
03-365 365A	H10-3BAC MS21042L3		DELETED ..NUT- (USED ON ITEMS 6A, 6B, 6C, 6H, 6L, 9A, 9B, 9C, 9H, 9L)	A-BH, BP-EF ,EM,E Q-EZ, HY-JV	2
368 368A	JM44LC13WS10R JM44LC13WS12R		DELETED ..CLAMP- (V22175) (SPEC BACC10GE12) (OPT S369WH12 (V18076)) (OPT TA12C32WS12 (V84971)) (OPT 509S12 (V83930)) (USED ON ITEMS 6A, 6B, 6H, 6L, 9A, 9B, 9H, 9L)	A-BH, BP-EF ,EM,E Q-EZ, HY-JV	2
-368B -368C -368D	JM44LC39S110 JM44LC53S110RG JM44LC13WS10R		DELETED DELETED ..CLAMP- (V22175) (SPEC BACC10GE10) (OPT S369WH10 (V18076)) (OPT TA12C32WS10 (V84971)) (OPT 509S10 (V83930)) (USED ON ITEMS 6C, 9C)	A-BH, BP-EF ,EM,E Q-EZ, HY-JV	2
371	NAS1801-3-8		..SCREW- (USED ON ITEMS 6A, 6B, 6C, 6H, 6L, 9A, 9B, 9C, 9H, 9L)	A-BH, BP-EF ,EM,E Q-EZ, HY-JV	1
374	AN970-3		..WASHER- (USED ON ITEMS 6A, 6B, 6C, 6H, 6L, 9A, 9B, 9C, 9H, 9L)	A-BH, BP-EF ,EM,E Q-EZ, HY-JV	1

# 32-11-20

 ILLUSTRATED PARTS LIST  
 01.1 Page 1056D  
 Nov 01/05

 **BOEING**  
COMPONENT  
MAINTENANCE MANUAL

FIG. & ITEM	PART NO.	AIRLINE PART NUMBER	NOMENCLATURE 1234567	EFF CODE	QTY PER ASSY
03-377 377A	H10-3BAC MS21042L3		DELETED ..NUT- (USED ON ITEMS 6A, 6B, 6C, 6H, 6L, 9A, 9B, 9C, 9H, 9L)	A-BH, BP-EF ,EM,E Q-EZ, HY-JV	1
380	NAS77-3-7		..BUSHING- (USED ON ITEMS 6A, 6B, 6C, 6H, 6L, 9A, 9B, 9C, 9H, 9L)	A-BH, BP-EF ,EM,E Q-EZ, HY-JV	1
383	287T6111-22		..BRACKET- (USED ON ITEMS 6A, 6B, 6C, 6H, 6L, 9A, 9B, 9C, 9H, 9L)	A-BH, BP-EF ,EM,E Q-EZ, HY-JV	1
-383A 386	287T6111-75 NAS6604-77		DELETED ..BOLT- (USED ON ITEMS 6A, 6B, 6C, 6H, 6L, 9A, 9B, 9C, 9H, 9L)	A-BH, BP-EF ,EM,E Q-EZ, HY-JV	1
389 389A	H10-4BAC MS21042L3		DELETED ..NUT- (USED ON ITEMS 6A, 6B, 6C, 6H, 6L, 9A, 9B, 9C, 9H, 9L)	A-BH, BP-EF ,EM,E Q-EZ, HY-JV	1
392	287T6111-21		..BRACKET- (USED ON ITEMS 6A, 6B, 6C, 6H, 6L, 9A, 9B, 9C, 9H, 9L)	A-BH, BP-EF ,EM,E Q-EZ, HY-JV	1

32-11-20

ILLUSTRATED PARTS LIST  
01.1 Page 1056E  
Nov 01/05

FIG. & ITEM	PART NO.	AIRLINE PART NUMBER	NOMENCLATURE 1234567	EFF CODE	QTY PER ASSY
03-395	287T6111-23		..FILLER- (USED ON ITEMS 6A, 6B, 6C, 6H, 6L, 9A, 9B, 9C, 9H, 9L)	A-BH, BP-EF ,EM,E Q-EZ, HY-JV	2
398	NAS6603-64		..BOLT- (USED ON ITEMS 6A, 6B, 6C, 6H, 6L, 9A, 9B, 9C, 9H, 9L)	A-BH, BP-EF ,EM,E Q-EZ, HY-JV	2
-398A	NAS6603-30		DELETED		
402	NAS42DD6-96		DELETED		
402A	NAS42DD6-92		..SPACER- (USED ON ITEMS 6A, 6B, 6C, 6H, 6L, 9A, 9B, 9C, 9H, 9L)	A-BH, BP-EF ,EM,E Q-EZ, HY-JV	2
405	H10-3BAC		DELETED		
405A	MS21042L3		..NUT- (USED ON ITEMS 6A, 6B, 6C, 6H, 6L, 9A, 9B, 9C, 9H, 9L)	A-BH, BP-EF ,EM,E Q-EZ, HY-JV	2
407	287T6111-15		..CHANNEL- (USED ON ITEMS 6A, 6B, 6C, 6H, 6L, 9A, 9B, 9C, 9H, 9L)	A-BH, BP-EF ,EM,E Q-EZ, HY-JV	2
410	287T6116-6		DELETED		
410A	287T6116-5		..BLOCK-CLAMP (USED ON ITEMS 6A, 6B, 6H, 6L, 9A, 9B, 9H, 9L)	A-BH, BP-EF ,EM,E Q-EZ, HY-JV	4
-410B	287T6116-6		..BLOCK-CLAMP (USED ON ITEMS 6C, 9C) (PRE SB 767-27A0160)	A-BH, BP-EF ,EM,E Q-EZ, HY-JV	4
-410C	287T6116-5		..BLOCK-CLAMP (USED ON ITEMS 6C, 9C) (POST SB 767-27A0160)	A-BH, BP-EF ,EM,E Q-EZ, HY-JV	4

# 32-11-20

 ILLUSTRATED PARTS LIST  
 01.1 Page 1056F  
 Nov 01/05

 **BOEING**  
COMPONENT  
MAINTENANCE MANUAL

FIG. & ITEM	PART NO.	AIRLINE PART NUMBER	NOMENCLATURE 1234567	EFF CODE	QTY PER ASSY
03- 412	JM44LC39S110		DELETED		
-412A	JM44LC53S110RG		DELETED		
413	NAS1801-3-8		..SCREW- (USED ON ITEMS 6A, 6B, 6C, 6H, 6L, 9A, 9B, 9C, 9H, 9L)	A-BH, BP-EF ,EM,E Q-EZ, HY-JV	2
416	AN960PD10		DELETED		
416A	AN960JD10		..WASHER- (USED ON ITEMS 6A, 6B, 6C, 6H, 6L, 9A, 9B, 9C, 9H, 9L)	A-BH, BP-EF ,EM,E Q-EZ, HY-JV	4
419	NAS1801-3-7		..SCREW- (USED ON ITEMS 6A, 6B, 6C, 6H, 6L, 9A, 9B, 9C, 9H, 9L)	A-BH, BP-EF ,EM,E Q-EZ, HY-JV	1
420	NAS1801-3-6		..SCREW- (USED ON ITEMS 6K, 9K)	A-BH, BP-EF ,EM,E Q-EZ, HY-JV	1
422	JM44LC13WS10R		DELETED		
422A	JM44LC13WS12R		..CLAMP- (V22175) (SPEC BACC10GE12) (OPT S369WH12 (V18076)) (OPT TA12C32WS12 (V84971)) (OPT 509S12 (V83930)) (USED ON ITEMS 6A, 6B, 6H, 6L, 9A, 9B, 9H, 9L)	A-BH, BP-EF ,EM,E Q-EZ, HY-JV	3
-422B	JM44LC13WS10R		..CLAMP- (V22175) (SPEC BACC10GE10) (OPT S369WH10 (V18076)) (OPT TA12C32WS10 (V84971)) (OPT 509S10 (V83930)) (USED ON ITEMS 6C, 9C)	A-BH, BP-EF ,EM,E Q-EZ, HY-JV	3

32-11-20

ILLUSTRATED PARTS LIST  
01.1 Page 1056G  
Nov 01/05

FIG. & ITEM	PART NO.	AIRLINE PART NUMBER	NOMENCLATURE 1234567	EFF CODE	QTY PER ASSY
03- 423	NAS1801-3-18		DELETED		
424	AN960JD10		DELETED		
425	NAS1801-3-6		..SCREW- (USED ON ITEMS 6A, 6B, 6C, 6H, 6L, 9A, 9B, 9C, 9H, 9L)	A-BH, BP-EF ,EM,E Q-EZ, HY-JV	4
426	NAS43DD3-48		DELETED		
427	287T4304-1		DELETED		
428	JM44LC13WS7R		..CLAMP- (V22175) (SPEC BACC10GE7) (OPT S369WH7 (V18076)) (OPT TA12C32WS7 (V84971)) (OPT 509S7 (V83930)) (USED ON ITEMS 6A, 6B, 6C, 6H, 6L, 9A, 9B, 9C, 9H, 9L)	A-BH, BP-EF ,EM,E Q-EZ, HY-JV	3
431	287T6111-39		..BRACKET ASSY- (USED ON ITEMS 6A, 6B, 6C, 6H, 6L, 9A, 9B, 9C, 9H, 9L)	A-BH, BP-EF ,EM,E Q-EZ, HY-JV	1
432	287T6111-76		DELETED		
434	BACR15BA3AD		...RIVET- (SIZE DETERMINE ON INST)	A-BH, BP-EF ,EM,E Q-EZ, HY-JV	2

# 32-11-20

 ILLUSTRATED PARTS LIST  
 01.1 Page 1056H  
 Nov 01/05



FIG. & ITEM	PART NO.	AIRLINE PART NUMBER	NOMENCLATURE 1234567	EFF CODE	QTY PER ASSY
03- 435 437	BACR15BA3AD BRM200A3		DELETED ...NUTPLATE- (V52828) (SPEC BACN10JP3A) (OPT MK1000-3BAC (V15653)) (OPT NS103197-02 (V80539)) (OPT RMA9201M3 (V72962)) (OPT T8076S1032 (V11815)) (OPT VN202A1-02 (V92215))	A-BH, BP-EF ,EM,E Q-EZ, HY-JV	1
438 440	T8097S3K 287T6111-40		DELETED ...BRACKET	A-BH, BP-EF ,EM,E Q-EZ, HY-JV	1
442 443	287T6111-77 NAS1801-3-6		DELETED ..SCREW- (USED ON ITEMS 6A, 6B, 6C, 6H, 6L, 9A, 9B, 9C, 9H, 9L)	A-BH, BP-EF ,EM,E Q-EZ, HY-JV	2
446 446A	H10-3BAC MS21042L3		DELETED ..NUT- (USED ON ITEMS 6A, 6B, 6C, 6H, 6L, 9A, 9B, 9C, 9H, 9L)	A-BH, BP-EF ,EM,E Q-EZ, HY-JV	2

32-11-20

ILLUSTRATED PARTS LIST  
01.1 Page 1056I  
Nov 01/05

FIG. & ITEM	PART NO.	AIRLINE PART NUMBER	NOMENCLATURE 1234567	EFF CODE	QTY PER ASSY
03-449 449A	JM44LC13WS10R JM44LC13WS12R		DELETED ..CLAMP- (V22175) (SPEC BACC10GE12) (OPT S369WH12 (V18076)) (OPT TA12C32WS12 (V84971)) (OPT 509S12 (V83930)) (USED ON ITEMS 6A, 6B, 6H, 6L, 9A, 9B, 9H, 9L)	A-BH, BP-EF ,EM,E Q-EZ, HY-JV	2
-449B -449C	JM44LC13WS15R JM44LC13WS10R		DELETED ..CLAMP- (V22175) (SPEC BACC10GE10) (OPT S369WH10 (V18076)) (OPT TA12C32WS10 (V84971)) (OPT 509S10 (V83930)) (USED ON ITEMS 6C, 9C)	A-BH, BP-EF ,EM,E Q-EZ, HY-JV	2
452	JM44LC13WS7R		..CLAMP- (V22175) (SPEC BACC10GE7) (OPT S369WH7 (V18076)) (OPT TA12C32WS7 (V84971)) (OPT 509S7 (V83930)) (USED ON ITEMS 6A, 6B, 6C, 6H, 6L, 9A, 9B, 9C, 9H, 9L)	A-BH, BP-EF ,EM,E Q-EZ, HY-JV	2
455	NAS6603-15		..BOLT- (USED ON ITEMS 6A, 6B, 6C, 6H, 6L, 9A, 9B, 9C, 9H, 9L)	A-BH, BP-EF ,EM,E Q-EZ, HY-JV	4

# 32-11-20

 ILLUSTRATED PARTS LIST  
 01.1 Page 1056J  
 Nov 01/05

 **BOEING**  
COMPONENT  
MAINTENANCE MANUAL

FIG. & ITEM	PART NO.	AIRLINE PART NUMBER	NOMENCLATURE 1234567	EFF CODE	QTY PER ASSY
03- 458 458A	H10-3BAC MS21042L3		DELETED ..NUT- (USED ON ITEMS 6A, 6B, 6C, 6H, 6L, 9A, 9B, 9C, 9H, 9L)	A-BH, BP-EF ,EM,E Q-EZ, HY-JV	4
461	MB67381-080-038		..CLAMP- (V8W928) (SPEC BACC10ET080-038) (OPT MB68517-080-038 (V8W928)) (USED ON ITEMS 6A, 6B, 6C, 6H, 6L, 9A, 9B, 9C, 9H, 9L)	A-BH, BP-EF ,EM,E Q-EZ, HY-JV	2
464 464A	NAS6603-3 NAS6603-7		DELETED ..BOLT- (USED ON ITEMS 6H, 9H)	A-BH, BP-EF ,EM,E Q-EZ, HY-JV	4
-464B	NAS6603-3		..BOLT- (USED ON ITEMS 6A, 6B, 6L, 9A, 9B, 9L)	A-BH, BP-EF ,EM,E Q-EZ, HY-JV	4
465	NAS6603-3		..BOLT- (USED ON ITEMS 6H, 9H)	A-BH, BP-EF ,EM,E Q-EZ, HY-JV	6

**32-11-20**

ILLUSTRATED PARTS LIST  
01.1 Page 1056K  
Nov 01/05

FIG. & ITEM	PART NO.	AIRLINE PART NUMBER	NOMENCLATURE 1234567	EFF CODE	QTY PER ASSY
03-466	NAS6603-4		..BOLT- (USED ON ITEMS 6H, 9H)	A-BH, BP-EF ,EM,E Q-EZ, HY-JV	8
466J	AN960C10L		..WASHER- (USED ON ITEMS 6H, 9H)	A-BH, BP-EF ,EM,E Q-EZ, HY-JV	12
467 467A	H10-3BAC MS21042L3		DELETED ..NUT- (USED ON ITEMS 6A, 6B, 6H, 6L, 9A, 9B, 9H, 9L)	A-BH, BP-EF ,EM,E Q-EZ, HY-JV	4
468	MS21042L3		..NUT- (USED ON ITEMS 6H, 9H)	A-BH, BP-EF ,EM,E Q-EZ, HY-JV	10
469	F22K1-02		..NUT- (V72962) (SPEC BACN10R10L) (OPT 22K1-02 (V72962)) (OPT 26CLO2 (V80539)) (USED ON ITEMS 6H, 9H)	A-BH, BP-EF ,EM,E Q-EZ, HY-JV	4

# 32-11-20

 ILLUSTRATED PARTS LIST  
 01.1 Page 1056L  
 Nov 01/05

FIG. & ITEM	PART NO.	AIRLINE PART NUMBER	NOMENCLATURE 1234567	EFF CODE	QTY PER ASSY
03-470	JM44LC13WS7R		..CLAMP- (V22175) (SPEC BACC10GE7) (OPT S369WH7 (V18076)) (OPT TA12C32WS7 (V84971)) (OPT 509S7 (V83930)) (USED ON ITEMS 6A, 6B, 6H, 6L, 9A, 9B, 9H, 9L)	A-BH, BP-EF ,EM,E Q-EZ, HY-JV	4
470J	NAS42DD6-16		..SPACER- (USED ON ITEMS 6H, 9H)	A-BH, BP-EF ,EM,E Q-EZ, HY-JV	4
471	JM44LC13WS10R		..CLAMP- (V22175) (SPEC BACC10GE10) (OPT S369WH10 (V18076)) (OPT TA12C32WS10 (V84971)) (OPT 509S10 (V83930)) (USED ON ITEMS 6H, 9H)	A-BH, BP-EF ,EM,E Q-EZ, HY-JV	6
473	BACC15AN10		..CLIP- (USED ON ITEMS 6A, 6B, 6H, 6L, 9A, 9B, 9H, 9L)	A-BH, BP-EF ,EM,E Q-EZ, HY-JV	4
474	BACC15AN10		..CLIP- (USED ON ITEMS 6H, 9H)	A-BH, BP-EF ,EM,E Q-EZ, HY-JV	14

**32-11-20**

FIG. & ITEM	PART NO.	AIRLINE PART NUMBER	NOMENCLATURE 1234567	EFF CODE	QTY PER ASSY
03-475	287T6131-1		..TUBE ASSY- (USED ON ITEMS 6H, 9H)	A-BH, BP-EF ,EM,E Q-EZ, HY-JV	4
475D	287T6131-5		...SLEEVE	A-BH, BP-EF ,EM,E Q-EZ, HY-JV	1
475G	287T6131-3		...TUBE	A-BH, BP-EF ,EM,E Q-EZ, HY-JV	1
475N	287T6131-2		..TUBE ASSY- (USED ON ITEMS 6H, 9H)	A-BH, BP-EF ,EM,E Q-EZ, HY-JV	4
475S	287T6131-6		...SLEEVE	A-BH, BP-EF ,EM,E Q-EZ, HY-JV	1
475V	287T6131-4		...TUBE	A-BH, BP-EF ,EM,E Q-EZ, HY-JV	1
476	BACB19F10		..BLOCK- (USED ON ITEMS 6A, 6B, 6H, 6L, 9A, 9B, 9H, 9L)	A-BH, BP-EF ,EM,E Q-EZ, HY-JV	4
477	BACB19F10		..BLOCK- (USED ON ITEMS 6H, 9H)	A-BH, BP-EF ,EM,E Q-EZ, HY-JV	14

# 32-11-20

 ILLUSTRATED PARTS LIST  
 01.1 Page 1056N  
 Nov 01/05



**BOEING**  
COMPONENT  
MAINTENANCE MANUAL

FIG. & ITEM	PART NO.	AIRLINE PART NUMBER	NOMENCLATURE 1234567	EFF CODE	QTY PER ASSY
03-479	BC1083-081S		..CLAMP- (V14242) (SPEC BACC10FY081S) (OPT B06A081S (V10234)) (OPT 3140AB081 (V94581)) (OPT 57490-081 (V98625)) (OPT MBC68941-081 (V8W928)) (OPT 57490-808 (V8W928)) (OPT 57490-810 (V8W928)) (USED ON ITEMS 6H, 9H)	A-BH, BP-EF ,EM,E Q-EZ, HY-JV	4
480 480A	MBC68941-081 BC1083-081S		DELETED ..CLAMP- (V14242) (SPEC BACC10FY081S) (OPT B06A081S (V10234)) (OPT 3140AB081 (V94581)) (OPT 57490-081 (V98625)) (OPT MBC68941-081 (V8W928)) (OPT 57490-808 (V8W928)) (OPT 57490-810 (V8W928)) (USED ON ITEMS 6A, 6B, 6L, 9A, 9B, 9L)	A-BH, BP-EF ,EM,E Q-EZ, HY-JV	2
482	NAS6703-3		..BOLT- (USED ON ITEMS 6A, 6B, 6C, 6H, 6L, 9A, 9B, 9C, 9H, 9L)	A-BH, BP-EF ,EM,E Q-EZ, HY-JV	4

**32-11-20**

FIG. & ITEM	PART NO.	AIRLINE PART NUMBER	NOMENCLATURE 1234567	EFF CODE	QTY PER ASSY
03-485	BRH10C3M		..NUT- (V52828) (SPEC BACN10JC3CM) (OPT T6C1032JM (V11815)) (OPT 97E02 (V80539)) (OPT 109LH9075-3W (V72962)) (OPT VN303D02 (V92215)) (OPT NS202101SE02 (V80539)) (OPT H01-3BAC (V15653)) (USED ON ITEMS 6A, 6B, 6C, 6H, 6L, 9A, 9B, 9C, 9H, 9L)	A-BH, BP-EF ,EM,E Q-EZ, HY-JV	4
488	287T6104-36		DELETED		
-488A	287T6104-30		DELETED		
-488B	287T6104-48		DELETED		
R -488C	287T6104-59		..HARNES ASSY-AFT TRUCK (USED ON ITEM 6H) (REF CMM 32-10-52)	A-BH, BP-BZ ,HY-J J	1
-488D	287T6104-65		DELETED		
-488E	287T6104-69		DELETED		
-488F	287T6104-48		..HARNES ASSY-AFT TRUCK (USED ON ITEM 6A) (REF CMM 32-10-51)	A-BH, BP-BZ ,HY-J J	1
-488G	287T6104-30		..HARNES ASSY-AFT TRUCK (USED ON ITEM 6B) (REF CMM 32-10-51)	A-BH, BP-BZ ,HY-J J	1
488H	287T6104-36		..HARNES ASSY-AFT TRUCK (USED ON ITEMS 6C) (REF CMM 32-10-51)	A-BH, BP-BZ ,HY-J J	1
R -488J	287T6104-77		..HARNES ASSY-AFT TRUCK (USED ON ITEM 6L) (REF CMM 32-10-52)	A-BH, BP-BZ ,HY-J J	1

# 32-11-20

 ILLUSTRATED PARTS LIST  
 01.1 Page 1056P  
 Nov 01/05



 **BOEING**  
COMPONENT  
MAINTENANCE MANUAL

FIG. & ITEM	PART NO.	AIRLINE PART NUMBER	NOMENCLATURE 1234567	EFF CODE	QTY PER ASSY
03-					
-491	287T6104-50		DELETED		
-491A	287T6104-37		DELETED		
-491B	287T6104-31		DELETED		
-491C	287T6104-38		DELETED		
-491D	287T6104-32		DELETED		
R -491E	287T6104-60		..HARNESS ASSY-AFT TRUCK (USED ON ITEM 9H) (REF CMM 32-10-52)	CA-EF ,EM,E Q-EZ, JK-JV	1
-491F	287T6104-66		DELETED		
-491G	287T6104-70		DELETED		
-491H	287T6104-50		..HARNESS ASSY-AFT TRUCK (USED ON ITEM 9A) (REF CMM 32-10-51)	CA-EF ,EM,E Q-EZ, JK-JV	1
-491J	287T6104-32		..HARNESS ASSY-AFT TRUCK (USED ON ITEM 9B) (REF CMM 32-10-51)	CA-EF ,EM,E Q-EZ, JK-JV	1
-491K	287T6104-38		..HARNESS ASSY-AFT TRUCK (USED ON ITEMS 9C) (REF CMM 32-10-51)	CA-EF ,EM,E Q-EZ, JK-JV	1
R -491L	287T6104-78		..HARNESS ASSY-AFT TRUCK (USED ON ITEM 9L) (REF CMM 32-10-52)	CA-EF ,EM,E Q-EZ, JK-JV	1
494	287T6104-35		DELETED		
-494A	287T6104-29		DELETED		
-494B	287T6104-47		DELETED		
R 494C	287T6104-57		..HARNESS ASSY-FWD TRUCK (USED ON ITEM 6H) (REF CMM 32-10-52)	A-BH, BP-BZ ,HY-J J	1

32-11-20

ILLUSTRATED PARTS LIST  
01.1 Page 1056Q  
Nov 01/05

FIG. & ITEM	PART NO.	AIRLINE PART NUMBER	NOMENCLATURE 1234567	EFF CODE	QTY PER ASSY
03-					
-494D	287T6104-63		DELETED		
-494E	287T6104-67		DELETED		
-494F	287T6104-47		..HARNESS ASSY-FWD TRUCK (USED ON ITEM 6A) (REF CMM 32-10-51)	A-BH, BP-BZ ,HY-J J	1
-494G	287T6104-29		..HARNESS ASSY-FWD TRUCK (USED ON ITEM 6B) (REF CMM 32-10-51)	A-BH, BP-BZ ,HY-J J	1
-494H	287T6104-35		..HARNESS ASSY-FWD TRUCK (USED ON ITEMS 6C) (REF CMM 32-10-51)	A-BH, BP-BZ ,HY-J J	1
R -494J	287T6104-75		..HARNESS ASSY-FWD TRUCK (USED ON ITEM 6L) (REF CMM 32-10-52)	A-BH, BP-BZ ,HY-J J	1
-497	287T6104-49		DELETED		
-497A	287T6104-38		DELETED		
-497B	287T6104-32		DELETED		
-497C	287T6104-37		DELETED		
-497D	287T6104-31		DELETED		
R -497E	287T6104-58		..HARNESS ASSY-FWD TRUCK (USED ON ITEM 9H) (REF CMM 32-10-52)	CA-EF ,EM,E Q-EZ, JK-JV	1
-497F	287T6104-64		DELETED		
-497G	287T6104-68		DELETED		
-497H	287T6104-49		..HARNESS ASSY-FWD TRUCK (USED ON ITEM 9A) (REF CMM 32-10-51)	CA-EF ,EM,E Q-EZ, JK-JV	1

# 32-11-20

 ILLUSTRATED PARTS LIST  
 01.1 Page 1056R  
 Nov 01/05

 **BOEING**  
COMPONENT  
MAINTENANCE MANUAL

FIG. & ITEM	PART NO.	AIRLINE PART NUMBER	NOMENCLATURE 1234567	EFF CODE	QTY PER ASSY
03- -497J	287T6104-31		..HARNES ASSY-FWD TRUCK (USED ON ITEM 9B) (REF CMM 32-10-51)	CA-EF ,EM,E Q-EZ, JK-JV	1
-497K	287T6104-37		..HARNES ASSY-FWD TRUCK (USED ON ITEMS 9C) (REF CMM 32-10-51)	CA-EF ,EM,E Q-EZ, JK-JV	1
R -497L	287T6104-76		..HARNES ASSY-FWD TRUCK (USED ON ITEM 9L) (REF CMM 32-10-52)	CA-EF ,EM,E Q-EZ, JK-JV	1
500 500A	NAS6603-32 NAS6603-35		DELETED ..BOLT- (USED ON ITEMS 7B, 7E, 7F, 7G, 10B, 10E, 10F, 10G)	A-BH, BP-EF ,EM,E Q-EZ, HY-JV	3
501 503	NAS6603-13 NAS42DD6-36		DELETED ..SPACER- (USED ON ITEMS 7B, 7E, 7F, 7G, 10B, 10E, 10F, 10G)	A-BH, BP-EF ,EM,E Q-EZ, HY-JV	3
504 505 506 506A	NAS42DD6-36 MS21042L3 H10-3BAC MS21042L3		DELETED DELETED DELETED ..NUT- (USED ON ITEMS 7B, 7E, 7F, 7G, 10B, 10E, 10F, 10G)	A-BH, BP-EF ,EM,E Q-EZ, HY-JV	3

**32-11-20**

ILLUSTRATED PARTS LIST  
01.1 Page 1056S  
Nov 01/05

FIG. & ITEM	PART NO.	AIRLINE PART NUMBER	NOMENCLATURE 1234567	EFF CODE	QTY PER ASSY
03-507	JM44LC39S110		DELETED		
-507A	JM44LC53S110RG		DELETED		
509	287T6111-10		..CHANNEL- (USED ON ITEMS 7B, 7E, 7F, 7G, 10B, 10E, 10F, 10G)	A-BH, BP-EF ,EM,E Q-EZ, HY-JV	2
510	287N6104-3		DELETED		
512	287T6116-1		DELETED		
-512A	287T6116-3		DELETED		
-512B	287T6116-3		DELETED		
515	287T6116-11		..BLOCK-CLAMP (USED ON ITEMS 7B, 7E, 10B, 10E)	A-BH, BP-EF ,EM,E Q-EZ, HY-JV	2
-515A	287T6116-12		DELETED		
-515B	287T6116-12		..BLOCK-CLAMP (USED ON ITEMS 7F, 7G, 10F, 10G)	A-BH, BP-EF ,EM,E Q-EZ, HY-JV	2
518	272T0174-1		..BRACKET ASSY-WELDED (USED ON ITEMS 7B, 7E, 7F, 7G)	A-BH, BP-BZ ,HY-J J	1
-518A	272T0174-2		DELETED		
-519	272T0174-2		..BRACKET ASSY-WELDED (USED ON ITEMS 10B, 10E, 10F, 10G)	CA-EF ,EM,E Q-EZ, JK-JV	1
			ATTACHING PARTS		

# 32-11-20

 ILLUSTRATED PARTS LIST  
 01.1 Page 1056T  
 Nov 01/05

 **BOEING**  
COMPONENT  
MAINTENANCE MANUAL

FIG. & ITEM	PART NO.	AIRLINE PART NUMBER	NOMENCLATURE 1234567	EFF CODE	QTY PER ASSY
03-521	NAS6604-10		..BOLT- (USED ON ITEMS 7B, 7E, 7F, 7G, 10B, 10E, 10F, 10G)	A-BH, BP-EF ,EM,E Q-EZ, HY-JV	3
524	NAS42DD8-36		..SPACER- (USED ON ITEMS 7B, 7E, 7F, 7G, 10B, 10E, 10F, 10G)	A-BH, BP-EF ,EM,E Q-EZ, HY-JV	3
527	BRH10A4		..NUT- (V52828) (SPEC BACN10JC4) (OPT T6S428J (V11815)) (OPT 96-048 (V80539)) (OPT VN303A048 (V92215)) (OPT RMLH9075-4W (V72962)) (OPT NS202101-048 (V80539)) (OPT H10-4BAC (V15653)) (USED ON ITEMS 7B, 7E, 7F, 7G, 10B, 10E, 10F, 10G)	A-BH, BP-EF ,EM,E Q-EZ, HY-JV	1
530	272T0174-3		-----*----- ...TUBE	A-BH, BP-BZ ,HY-J J	1
-530A	272T0174-4		DELETED		
-531	272T0174-4		...TUBE	CA-EF ,EM,E Q-EZ, JK-JV	1
533	272T0174-5		...PLATE	A-BH, BP-EF ,EM,E Q-EZ, HY-JV	1

**32-11-20**

FIG. & ITEM	PART NO.	AIRLINE PART NUMBER	NOMENCLATURE 1234567	EFF CODE	QTY PER ASSY
03-536	NAS6604-3		..BOLT- (USED ON ITEMS 7B, 7E, 7F, 7G, 10B, 10E, 10F, 10G)	A-BH, BP-EF ,EM,E Q-EZ, HY-JV	2
539 539A	AN960PD416 AN960JD416		DELETED ..WASHER- (USED ON ITEMS 7B, 7E, 7F, 7G, 10B, 10E, 10F, 10G)	A-BH, BP-EF ,EM,E Q-EZ, HY-JV	2
542	287T6111-59		..BRACKET ASSY- (USED ON ITEM 7B, 7E, 7F, 7G)	A-BH, BP-BZ ,HY-J J	1
-542A -543	287T6111-60 287T6111-60		DELETED ..BRACKET ASSY- (USED ON ITEM 10B, 10E, 10F, 10G)	CA-EF ,EM,E Q-EZ, JK-JV	1
545	NAS6604-9		..BOLT- (USED ON ITEMS 7B, 7E, 7F, 7G, 10B, 10E, 10F, 10G)	A-BH, BP-EF ,EM,E Q-EZ, HY-JV	4
548	287T6111-44		..FILLER- (REPLD BY ITEM 548A) (USED ON ITEMS 7B, 7F, 10B, 10F)	A-BH, BP-EF ,EM,E Q-EZ, HY-JV	1
-548A	287T6111-70		..FILLER- (REPLS ITEM 548) (USED ON ITEMS 7B, 7F, 10B, 10F)	A-BH, BP-EF ,EM,E Q-EZ, HY-JV	1
-548B	287T6111-70		..FILLER- (USED ON ITEMS 7E, 7G, 10E, 10G)	A-BH, BP-EF ,EM,E Q-EZ, HY-JV	1
552	287T6111-67		..PLATE ASSY- (USED ON ITEMS 7B, 7E, 7F, 7G, 10B, 10E, 10F, 10G)	A-BH, BP-EF ,EM,E Q-EZ, HY-JV	1

# 32-11-20

 ILLUSTRATED PARTS LIST  
 01.1 Page 1056V  
 Nov 01/05

FIG. & ITEM	PART NO.	AIRLINE PART NUMBER	NOMENCLATURE 1234567	EFF CODE	QTY PER ASSY
03-555	287T6125-2		...PROTECTOR	A-BH, BP-EF ,EM,E Q-EZ, HY-JV	1
558	287T6111-68		...PLATE ASSY	A-BH, BP-EF ,EM,E Q-EZ, HY-JV	1
561	BACR15BA3AD		....RIVET- (SIZE DETERMINE ON INST)	A-BH, BP-EF ,EM,E Q-EZ, HY-JV	8
564	F177-4		....NUTPLATE- (V72962) (SPEC BACN10JA4) (OPT F2400-4 (V15653)) (OPT 43610-048 (V80539)) (OPT BRF110A4 (V52828)) (OPT BRF170A4 (V52828))	A-BH, BP-EF ,EM,E Q-EZ, HY-JV	4
567	287T6111-69		....PLATE	A-BH, BP-EF ,EM,E Q-EZ, HY-JV	1

**32-11-20**

ILLUSTRATED PARTS LIST  
01.1 Page 1056W  
Nov 01/05

FIG. & ITEM	PART NO.	AIRLINE PART NUMBER	NOMENCLATURE 1234567	EFF CODE	QTY PER ASSY
03-570	287T6111-45		..BRACKET ASSY-SPRT (USED ON ITEMS 7B, 7E, 7F, 7G)	A-BH, BP-BZ ,HY-J J	1
-570A	287T6111-46		DELETED		
-571	287T6111-46		..BRACKET ASSY-SPRT (USED ON ITEMS 10B, 10E, 10F, 10G)	CA-EF ,EM,E Q-EZ, JK-JV	1
573	287T6111-66		...SLEEVE	A-BH, BP-EF ,EM,E Q-EZ, HY-JV	AR
576	287T6125-1		...PROTECTOR	A-BH, BP-EF ,EM,E Q-EZ, HY-JV	1
579	287T6111-49		...BRACKET ASSY	A-BH, BP-BZ ,HY-J J	1
-579A	287T6111-50		DELETED		
-580	287T6111-50		...BRACKET ASSY	CA-EF ,EM,E Q-EZ, JK-JV	1
581	BACR15BA3AD		....RIVET- (SIZE DETERMINE ON INST)	A-BH, BP-EF ,EM,E Q-EZ, HY-JV	8

# 32-11-20

 ILLUSTRATED PARTS LIST  
 01.1 Page 1056X  
 Nov 01/05



 **BOEING**  
COMPONENT  
MAINTENANCE MANUAL

FIG. & ITEM	PART NO.	AIRLINE PART NUMBER	NOMENCLATURE 1234567	EFF CODE	QTY PER ASSY
03-584	F177-4		....NUTPLATE- (V72962) (SPEC BACN10JA4) (OPT F2400-4 (V15653)) (OPT 43610-048 (V80539)) (OPT BRF110A4 (V52828)) (OPT BRF170A4 (V52828))	A-BH, BP-EF ,EM,E Q-EZ, HY-JV	4
587	BACR15BA5AD		....RIVET- (SIZE DETERMINE ON INST)	A-BH, BP-EF ,EM,E Q-EZ, HY-JV	6
590	287T6111-55		....BRACKET-ZEE	A-BH, BP-EF ,EM,E Q-EZ, HY-JV	1
593	287T6111-56		....BRACKET-ZEE	A-BH, BP-EF ,EM,E Q-EZ, HY-JV	1
596	287T6111-58		....SPACER	A-BH, BP-EF ,EM,E Q-EZ, HY-JV	2
599	287T6111-57		....BRACKET	A-BH, BP-EF ,EM,E Q-EZ, HY-JV	1
602	NAS1801-3-10		..SCREW- (USED ON ITEMS 7B, 7E, 7F, 7G, 10B, 10E, 10F, 10G)	A-BH, BP-EF ,EM,E Q-EZ, HY-JV	1

32-11-20

ILLUSTRATED PARTS LIST  
01.1 Page 1056Y  
Nov 01/05

FIG. & ITEM	PART NO.	AIRLINE PART NUMBER	NOMENCLATURE 1234567	EFF CODE	QTY PER ASSY
03-605 605A	AN960PD10 AN960JD10		DELETED ..WASHER- (USED ON ITEMS 7B, 7E, 7F, 7G, 10B, 10E, 10F, 10G)	A-BH, BP-EF ,EM,E Q-EZ, HY-JV	2
-605B 608 608A	AN960-10 H10-3BAC MS21042L3		DELETED DELETED ..NUT- (USED ON ITEMS 7B, 7E, 7E, 7G, 10B, 10E, 10F, 10G)	A-BH, BP-EF ,EM,E Q-EZ, HY-JV	1
611	JM44LC13WS12R		..CLAMP- (V22175) (SPEC BACC10GE12) (OPT S369WH12 (V18076)) (OPT TA12C32WS12 (V84971)) (OPT 509S12 (V83930)) (USED ON ITEMS 7B, 7E, 10B, 10E)	A-BH, BP-EF ,EM,E Q-EZ, HY-JV	2
-611A -611B -611C -611D	JM44LC13WS10R JM44LC39S110 JM44LC53S110RG JM44LC13WS10R		DELETED DELETED DELETED ..CLAMP- (V22175) (SPEC BACC10GE10) (OPT S369WH10 (V18076)) (OPT TA12C32WS10 (V84971)) (OPT 509S10 (V83930)) (USED ON ITEMS 7F, 7G, 10F, 10G)	A-BH, BP-EF ,EM,E Q-EZ, HY-JV	2
614	NAS514P1032-10P		..SCREW- (USED ON ITEMS 7B, 7E, 7F, 7G, 10B, 10E, 10F, 10G)	A-BH, BP-EF ,EM,E Q-EZ, HY-JV	4

# 32-11-20

 ILLUSTRATED PARTS LIST  
 01.1 Page 1056Z  
 Nov 01/05

FIG. & ITEM	PART NO.	AIRLINE PART NUMBER	NOMENCLATURE 1234567	EFF CODE	QTY PER ASSY
03- 617 617A	AN960PD10L AN960JD10L		DELETED ..WASHER- (USED ON ITEMS 7B, 7E, 7F, 7G, 10B, 10E, 10F, 10G)	A-BH, BP-EF ,EM,E Q-EZ, HY-JV	4
620 620A	H10-3BAC MS21042L3		DELETED ..NUT- (USED ON ITEMS 7B, 7E, 7F, 7G, 10B, 10E, 10F, 10G)	A-BH, BP-EF ,EM,E Q-EZ, HY-JV	4
623	287T6122-2		..PLATE-MTG (USED ON ITEMS 7B, 7F, 10B, 10F)	A-BH, BP-EF ,EM,E Q-EZ, HY-JV	1
-623A -623B -623C	287T6122-1 287T6111-78 287T6111-84		DELETED DELETED ..BRACKET- (USED ON ITEMS 7E, 7G, 10E, 10G)	A-BH, BP-EF ,EM,E Q-EZ, HY-JV	1
626	287T6123-3		..RETAINER-PLATE (USED ON ITEMS 7B, 7F, 10B, 10F)	A-BH, BP-EF ,EM,E Q-EZ, HY-JV	2
-626A -626B -626C	287T6123-1 287T6123-3 287T6123-5		DELETED DELETED ..RETAINER-PLATE (USED ON ITEMS 7E, 7G, 10E, 10G)	A-BH, BP-EF ,EM,E Q-EZ, HY-JV	2

32-11-20

FIG. & ITEM	PART NO.	AIRLINE PART NUMBER	NOMENCLATURE 1234567	EFF CODE	QTY PER ASSY
03- 628	NAS6603-13		DELETED		
629	NAS6603-32		DELETED		
629A	NAS6603-35		..BOLT- (USED ON ITEMS 7B, 7E, 7F, 7G, 10B, 10E, 10F, 10G)	A-BH, BP-EF ,EM,E Q-EZ, HY-JV	3
630	NAS42DD6-36		DELETED		
632	NAS42DD6-36		..SPACER- (USED ON ITEMS 7B, 7E, 7F, 7G, 10B, 10E, 10F, 10G)	A-BH, BP-EF ,EM,E Q-EZ, HY-JV	3
635	H10-3BAC		DELETED		
635A	MS21042L3		..NUT- (USED ON ITEMS 7B, 7E, 7F, 7G, 10B, 10E, 10F, 10G)	A-BH, BP-EF ,EM,E Q-EZ, HY-JV	3
637	MS21042L3		DELETED		
638	287T6111-10		..CHANNEL- (USED ON ITEMS 7B, 7E, 7F, 7G, 10B, 10E, 10F, 10G)	A-BH, BP-EF ,EM,E Q-EZ, HY-JV	2
639	JM44LC39S110		DELETED		
-639A	JM44LC53S110RG		DELETED		
641	287T6116-1		DELETED		
-641A	287T6116-3		DELETED		
-641B	287T6116-3		DELETED		

# 32-11-20

 ILLUSTRATED PARTS LIST  
 01.1 Page 1058  
 Nov 01/05

 **BOEING**  
COMPONENT  
MAINTENANCE MANUAL

FIG. & ITEM	PART NO.	AIRLINE PART NUMBER	NOMENCLATURE 1234567	EFF CODE	QTY PER ASSY
03-644	287T6116-11		..BLOCK-CLAMP (USED ON ITEMS 7B, 7E, 10B, 10E)	A-BH, BP-EF ,EM,E Q-EZ, HY-JV	2
-644A	287T6116-12		DELETED		
-644B	287T6116-12		..BLOCK-CLAMP (USED ON ITEMS 7F, 7G, 10F, 10G)	A-BH, BP-EF ,EM,E Q-EZ, HY-JV	2
647	NAS6604-9		..BOLT- (USED ON ITEMS 7B, 7E, 7F, 7G, 10B, 10E, 10F, 10G)	A-BH, BP-EF ,EM,E Q-EZ, HY-JV	4
650	287T6111-44		..FILLER- (REPLD BY ITEM 650A) (USED ON ITEMS 7B, 7F, 10B, 10F)	A-BH, BP-EF ,EM,E Q-EZ, HY-JV	1
-650A	287T6111-70		..FILLER- (REPLS ITEM 650) (USED ON ITEMS 7B, 7F, 10B, 10F)	A-BH, BP-EF ,EM,E Q-EZ, HY-JV	1
-650B	287T6111-70		..FILLER- (USED ON ITEMS 7E, 7G, 10E, 10G)	A-BH, BP-EF ,EM,E Q-EZ, HY-JV	1
653	287T6111-67		..PLATE ASSY- (USED ON ITEMS 7B, 7E, 7F, 7G, 10B, 10E, 10F, 10G)	A-BH, BP-EF ,EM,E Q-EZ, HY-JV	1

32-11-20

ILLUSTRATED PARTS LIST  
01.1 Page 1058A  
Nov 01/05

FIG. & ITEM	PART NO.	AIRLINE PART NUMBER	NOMENCLATURE 1234567	EFF CODE	QTY PER ASSY
03-656	287T6125-2		...PROTECTOR	A-BH, BP-EF ,EM,E Q-EZ, HY-JV	1
659	287T6111-68		...PLATE ASSY	A-BH, BP-EF ,EM,E Q-EZ, HY-JV	1
661	BACR15BA3AD		....RIVET- (SIZE DETERMINE ON INST)	A-BH, BP-EF ,EM,E Q-EZ, HY-JV	8
664	F177-4		....NUTPLATE- (V72962) (SPEC BACN10JA4) (OPT F2400-4 (V15653)) (OPT 43610-048 (V80539)) (OPT BRF110A4 (V52828)) (OPT BRF170A4 (V52828))	A-BH, BP-EF ,EM,E Q-EZ, HY-JV	4
667	287T6111-69		....PLATE	A-BH, BP-EF ,EM,E Q-EZ, HY-JV	1
670	NAS6604-3		..BOLT- (USED ON ITEMS 7B, 7E, 7F, 7G, 10B, 10E, 10F, 10G)	A-BH, BP-EF ,EM,E Q-EZ, HY-JV	3
673 673A	AN960PD416 AN960JD416		DELETED ..WASHER- (USED ON ITEMS 7B, 7E, 7F, 7G, 10B, 10E, 10F, 10G)	A-BH, BP-EF ,EM,E Q-EZ, HY-JV	3

# 32-11-20

FIG. & ITEM	PART NO.	AIRLINE PART NUMBER	NOMENCLATURE 1234567	EFF CODE	QTY PER ASSY
03-676	287T6111-61		..BRACKET ASSY- (USED ON ITEMS 7B, 7E, 7F, 7G)	A-BH, BP-BZ ,HY-J J	1
-676A	287T6111-62		DELETED		
-677	287T6111-62		..BRACKET ASSY- (USED ON ITEMS 10B, 10E, 10F, 10G)	CA-EF ,EM,E Q-EZ, JK-JV	1
679	287T6111-51		..BRACKET ASSY-SPRT (USED ON ITEMS 7B, 7E, 7F, 7G)	A-BH, BP-BZ ,HY-J J	1
-679A	287T6111-52		DELETED		
-680	287T6111-52		..BRACKET ASSY-SPRT (USED ON ITEMS 10B, 10E, 10F, 10G)	CA-EF ,EM,E Q-EZ, JK-JV	1
682	287T6111-66		...SLEEVE- (USED ON ITEMS 679, 679A)	A-BH, BP-EF ,EM,E Q-EZ, HY-JV	AR
685	287T6125-1		...PROTECTOR- (USED ON ITEMS 679, 679A)	A-BH, BP-EF ,EM,E Q-EZ, HY-JV	1
688	287T6111-53		...BRACKET ASSY- (USED ON ITEM 679)	A-BH, BP-BZ ,HY-J J	1
-688A	287T6111-54		DELETED		

32-11-20

FIG. & ITEM	PART NO.	AIRLINE PART NUMBER	NOMENCLATURE 1234567	EFF CODE	QTY PER ASSY
03- -689	287T6111-54		...BRACKET ASSY- (USED ON ITEM 679A)	CA-EF ,EM,E Q-EZ, JK-JV	1
691	272T0173-1		....BRACKET ASSY	A-BH, BP-BZ ,HY-J J	1
-691A -692	272T0173-2 272T0173-2		DELETED ....BRACKET ASSY	CA-EF ,EM,E Q-EZ, JK-JV	1
694	BACR15FT6AD		ATTACHING PARTS ....RIVET- (SIZE DETERMINE ON INST)	A-BH, BP-EF ,EM,E Q-EZ, HY-JV	3
697	BACS40R8C8F		....SHIM	A-BH, BP-EF ,EM,E Q-EZ, HY-JV	1
700	BACR15FT5AD		-----*----- .....RIVET- (SIZE DETERMINE ON INST)	A-BH, BP-EF ,EM,E Q-EZ, HY-JV	2

# 32-11-20

 ILLUSTRATED PARTS LIST  
 01.1 Page 1058D  
 Nov 01/05



FIG. & ITEM	PART NO.	AIRLINE PART NUMBER	NOMENCLATURE 1234567	EFF CODE	QTY PER ASSY
03-703	BACR15FT6AD		.....RIVET- (SIZE DETERMINE ON INST)	A-BH, BP-EF ,EM,E Q-EZ, HY-JV	2
706	272T0173-7		.....BRACKET	A-BH, BP-EF ,EM,E Q-EZ, HY-JV	1
709	272T0173-5		.....BRACKET	A-BH, BP-BZ ,HY-J J	1
-709A	272T0173-6		DELETED		
-710	272T0173-6		.....BRACKET	CA-EF ,EM,E Q-EZ, JK-JV	1
712	272T0173-3		.....BRACKET	A-BH, BP-BZ ,HY-J J	1
-712A	272T0173-4		DELETED		
-713	272T0173-4		.....BRACKET	CA-EF ,EM,E Q-EZ, JK-JV	1
715	BACR15BA3AD		.....RIVET- (SIZE DETERMINE ON INST)	A-BH, BP-EF ,EM,E Q-EZ, HY-JV	8

**32-11-20**

FIG. & ITEM	PART NO.	AIRLINE PART NUMBER	NOMENCLATURE 1234567	EFF CODE	QTY PER ASSY
03-718	F177-3		....NUTPLATE- (V72962) (SPEC BACN10JA3) (OPT F2400-3 (V15653)) (OPT 43610-02 (V80539)) (OPT BRF110A3 (V52828)) (OPT BRF170A3 (V52828))	A-BH, BP-EF ,EM,E Q-EZ, HY-JV	1
721	F177-4		....NUTPLATE- (V72962) (SPEC BACN10JA4) (OPT F2400-4 (V15653)) (OPT 43610-048 (V80539)) (OPT BRF110A4 (V52828)) (OPT BRF170A4 (V52828))	A-BH, BP-EF ,EM,E Q-EZ, HY-JV	3
724	BACR15BA5AD		....RIVET- (SIZE DETERMINE ON INST)	A-BH, BP-EF ,EM,E Q-EZ, HY-JV	6
727	287T6111-58		....SPACER	A-BH, BP-EF ,EM,E Q-EZ, HY-JV	2
730	287T6111-47		....BRACKET-ZEE	A-BH, BP-BZ ,HY-J J	1
-730A	287T6111-48		DELETED		
-731	287T6111-48		....BRACKET-ZEE	CA-EF ,EM,E Q-EZ, JK-JV	1
733	287T6111-55		....BRACKET-ZEE	A-BH, BP-BZ ,HY-J J	1

# 32-11-20

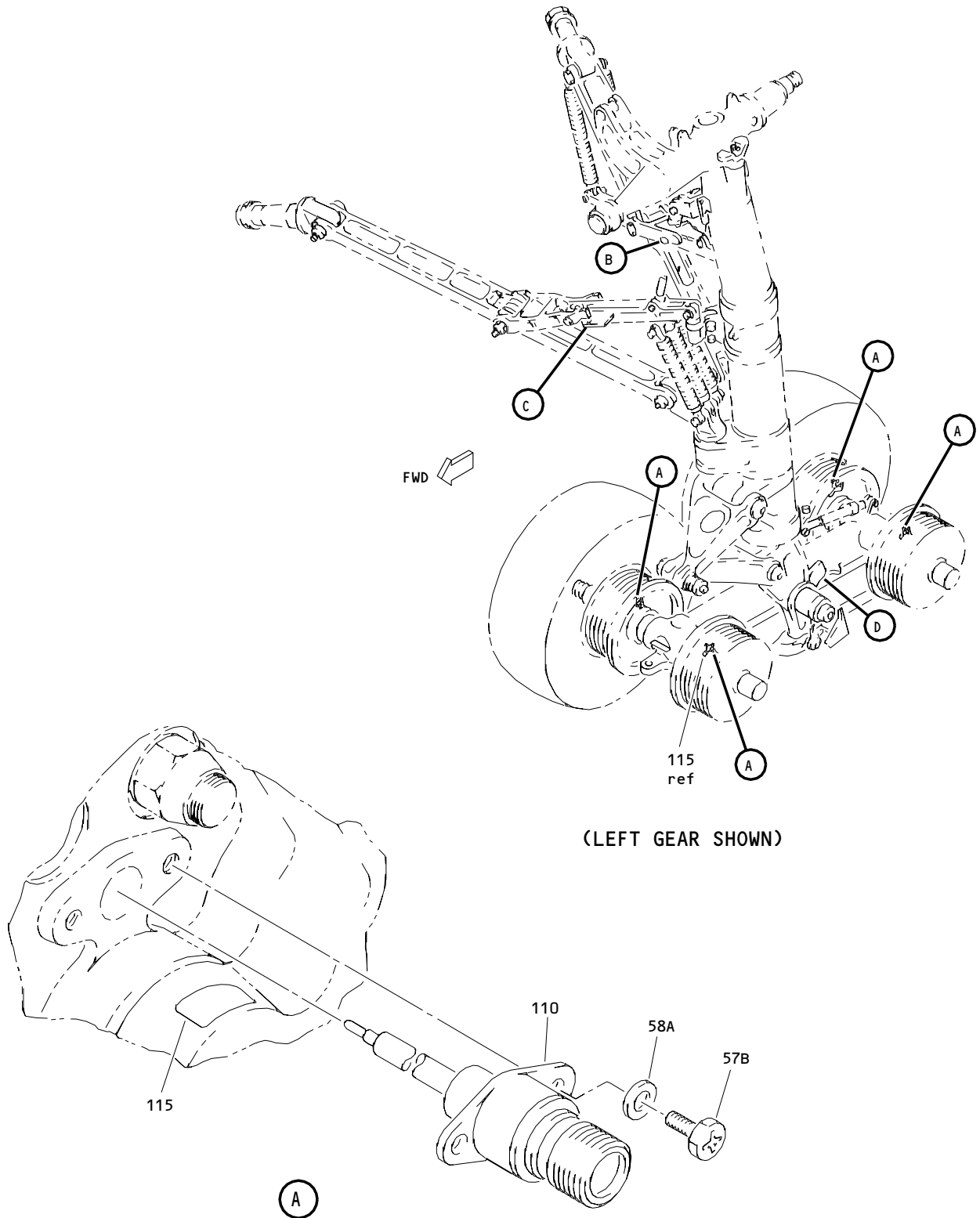
 ILLUSTRATED PARTS LIST  
 01.1 Page 1058F  
 Nov 01/05

FIG. & ITEM	PART NO.	AIRLINE PART NUMBER	NOMENCLATURE 1234567	EFF CODE	QTY PER ASSY
03- -733A -734	287T6111-56 287T6111-56		DELETED ....BRACKET-ZEE	CA-EF ,EM,E Q-EZ, JK-JV	1
735	287T6111-57		....BRACKET	A-BH, BP-EF ,EM,E Q-EZ, HY-JV	1
-740	287T6101-27		.COVER INSTL-BOGIE BEAM BRAKE TORQUE SENSOR CONN.	A-BH, BP-BZ ,HY-J J	1
-745	287T6101-28		.COVER INSTL-BOGIE BEAM BRAKE TORQUE SENSOR CONN.	CA-EF ,EM,E Q-EZ, JK-JV	1
750	M83723-60-114RN		..COVER	A-BH, BP-EF ,EM,E Q-EZ, HY-JV	4

- Item Not Illustrated

**32-11-20**

ILLUSTRATED PARTS LIST  
01.1 Page 1058G  
Nov 01/05

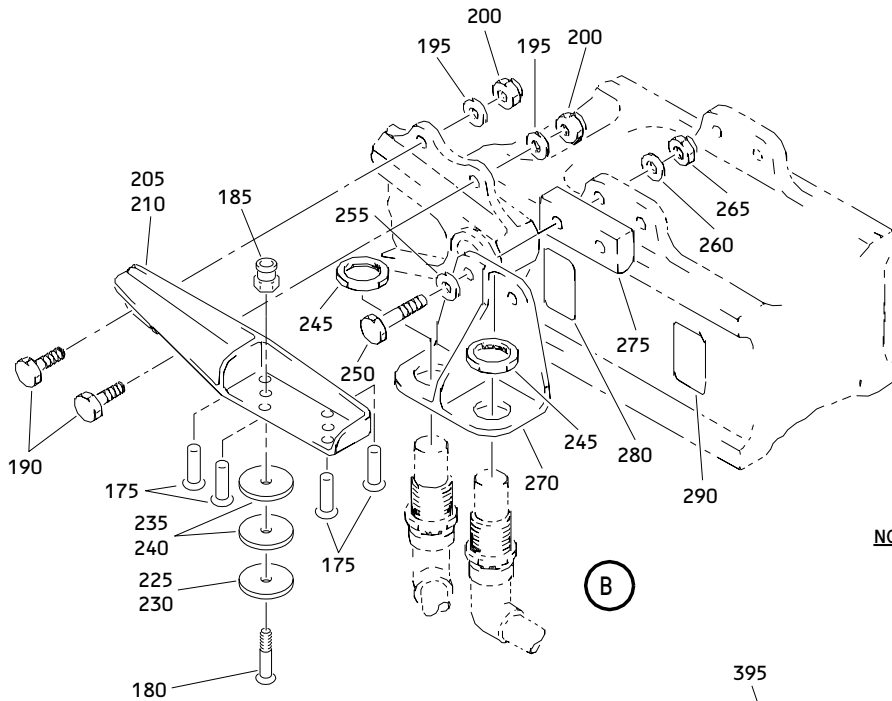


(LEFT GEAR SHOWN)

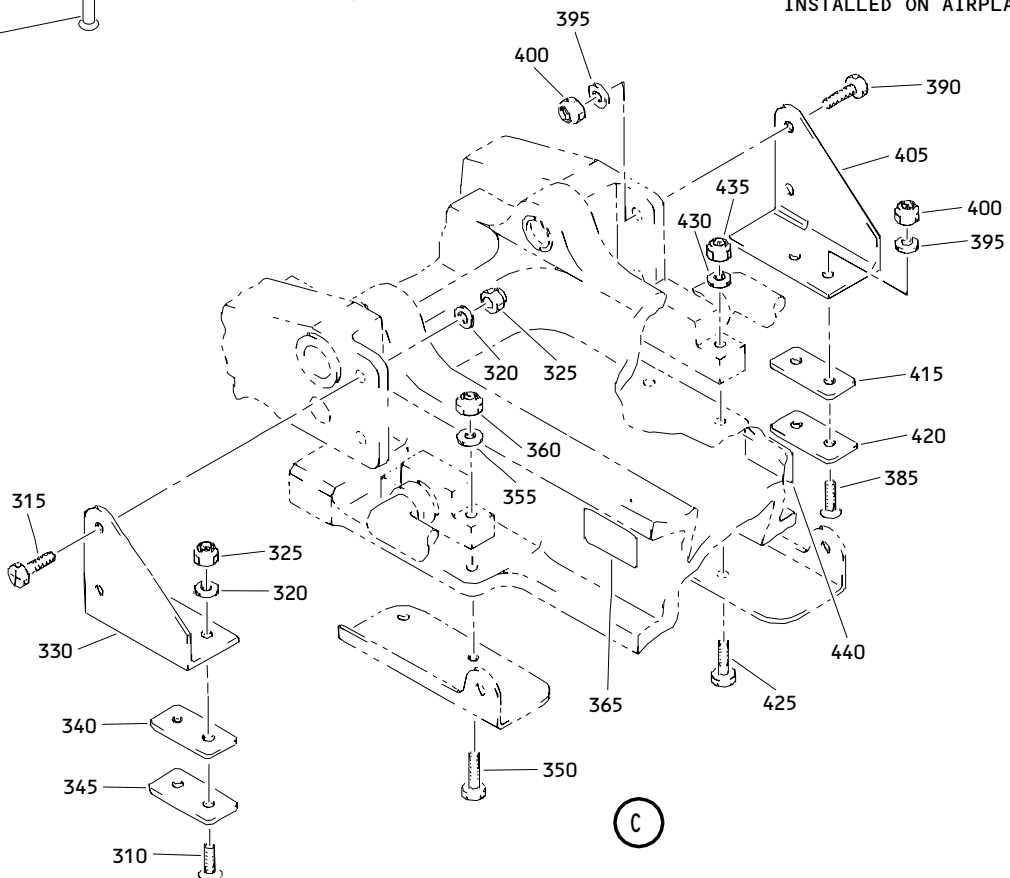
Electrical Equipment Installation  
Figure 4 (Sheet 1)

**32-11-20**

ILLUSTRATED PARTS LIST  
01.1 Page 1058H  
Nov 01/05



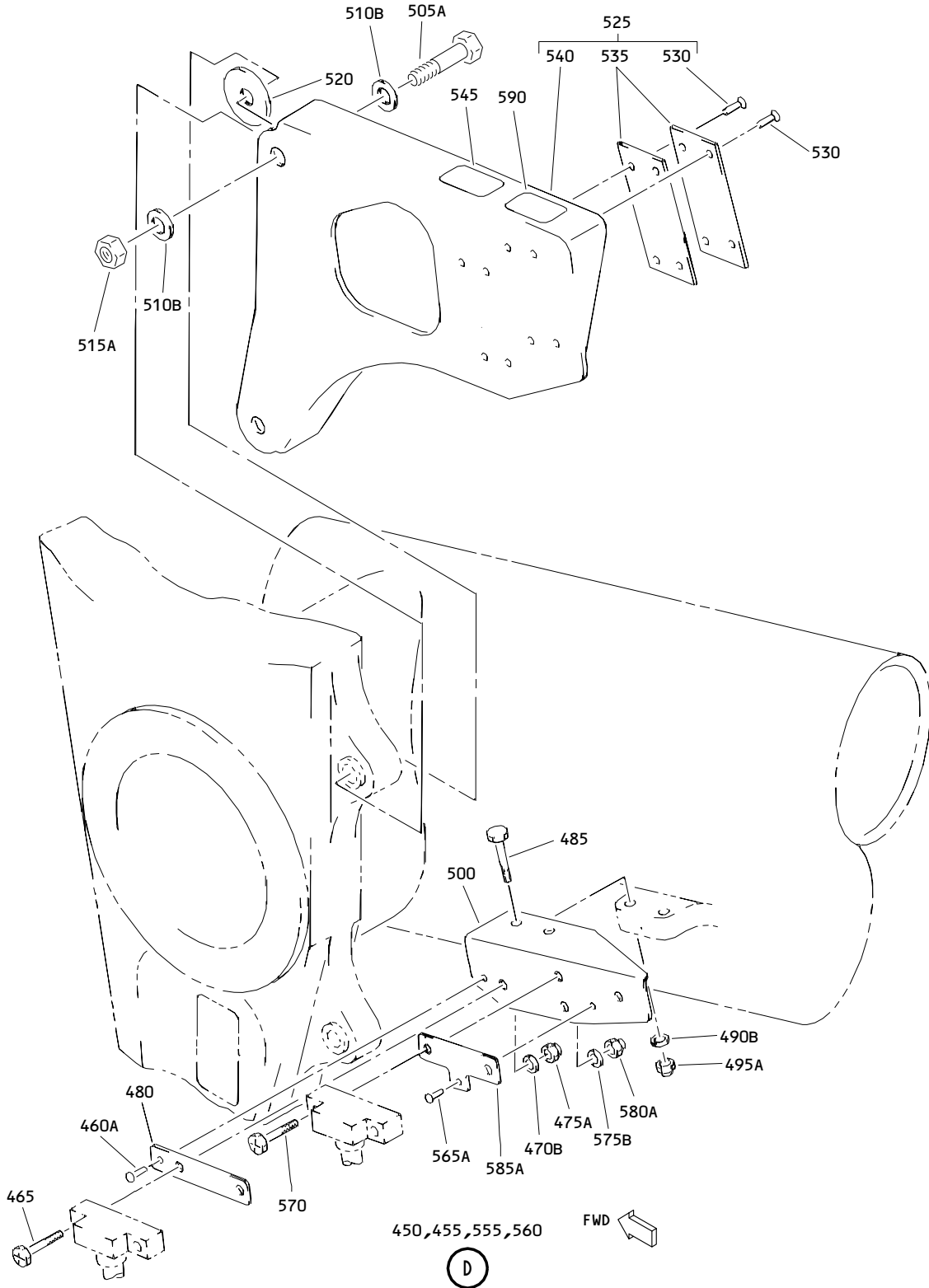
**NOTE:** PARTS SHOWN IN THESE TWO VIEWS ARE NOT PART OF THE MAIN GEAR BUILDUP. LISTED FOR REFERENCE ONLY. NOT USED UNTIL GEAR IS INSTALLED ON AIRPLANE.



Electrical Equipment Installation  
Figure 4 (Sheet 2)

**32-11-20**

ILLUSTRATED PARTS LIST  
01.1 Page 1058I  
Nov 01/05



Electrical Equipment Installation  
 Figure 4 (Sheet 3)

**32-11-20**

ILLUSTRATED PARTS LIST  
 01.1 Page 1058J  
 Nov 01/05



**BOEING**  
COMPONENT  
MAINTENANCE MANUAL

FIG. & ITEM	PART NO.	AIRLINE PART NUMBER	NOMENCLATURE 1234567	EFF CODE	QTY PER ASSY
04- -1	284T6100-3		EQUIPMENT INSTL-L MLG ASSY ELEC	A-BH, BP-BZ ,HY-J J	RF
-5	284T6100-4		EQUIPMENT INSTL-R MLG ASSY ELEC	CA-EF ,EM,E Q-EZ, JK-JV	RF
-10	284T6100-5001		.EQUIPMENT INSTL- (LIMITED)	A-BH, BP-BZ ,HY-J J	1
-10A	284T6100-5003		.EQUIPMENT INSTL- (LIMITED)	A-BH, BP-BZ ,HY-J J	1
-10B	284T6100-5005		.EQUIPMENT INSTL- (LIMITED)	A-BH, BP-BZ ,HY-J J	1
-10C	284T6100-5007		.EQUIPMENT INSTL- (LIMITED)	A-BH, BP-BZ ,HY-J J	1
-15	284T6100-5002		.EQUIPMENT INSTL- (LIMITED)	CA-EF ,EM,E Q-EZ, JK-JV	1
-15A	284T6100-5004		.EQUIPMENT INSTL- (LIMITED)	CA-EF ,EM,E Q-EZ, JK-JV	1
-15B	284T6100-5006		.EQUIPMENT INSTL- (LIMITED)	CA-EF ,EM,E Q-EZ, JK-JV	1
-15C	284T6100-5008		.EQUIPMENT INSTL- (LIMITED)	CA-EF ,EM,E Q-EZ, JK-JV	1

**32-11-20**

ILLUSTRATED PARTS LIST  
01.1 Page 1058K  
Nov 01/05

FIG. & ITEM	PART NO.	AIRLINE PART NUMBER	NOMENCLATURE 1234567	EFF CODE	QTY PER ASSY
04- -20	284T0262-1		..PROBE INSTL-WHEEL NO. 1 BRAKE TEMP SENSOR (TS91) (USED ON ITEMS 10, 10B)	A-BH, BP-BZ ,HY-J J	1
-25	284T0262-2		..PROBE INSTL-WHEEL NO. 2 BRAKE TEMP SENSOR (TS92) (USED ON ITEMS 10, 10B)	A-BH, BP-BZ ,HY-J J	1
-30	284T0262-3		..PROBE INSTL-WHEEL NO. 3 BRAKE TEMP SENSOR (TS93) (USED ON ITEMS 15, 15B)	CA-EF ,EM,E Q-EZ, JK-JV	1
-35	284T0262-4		..PROBE INSTL-WHEEL NO. 4 BRAKE TEMP SENSOR (TS94) (USED ON ITEMS 15, 15B)	CA-EF ,EM,E Q-EZ, JK-JV	1
-40	284T0262-5		..PROBE INSTL-WHEEL NO. 5 BRAKE TEMP SENSOR (TS95) (USED ON ITEMS 10, 10B)	A-BH, BP-BZ ,HY-J J	1
-45	284T0262-6		..PROBE INSTL-WHEEL NO. 6 BRAKE TEMP SENSOR (TS96) (USED ON ITEMS 10, 10B)	A-BH, BP-BZ ,HY-J J	1
-50	284T0262-7		..PROBE INSTL-WHEEL NO. 7 BRAKE TEMP SENSOR (TS97) (USED ON ITEMS 15, 15B)	CA-EF ,EM,E Q-EZ, JK-JV	1
-55	284T0262-8		..PROBE INSTL-WHEEL NO. 8 BRAKE TEMP SENSOR (TS98) (USED ON ITEMS 15, 15B)	CA-EF ,EM,E Q-EZ, JK-JV	1
57	NAS1801-4D9		DELETED		

# 32-11-20

 ILLUSTRATED PARTS LIST  
 01.1 Page 1058L  
 Nov 01/05



FIG. & ITEM	PART NO.	AIRLINE PART NUMBER	NOMENCLATURE 1234567	EFF CODE	QTY PER ASSY
04- 57A 57B	NAS6704L9 NAS6704P2		DELETED ...BOLT	A-BH, BP-EF ,EM,E Q-EZ, HY-JV	2
58 58A	AN960PD416L NAS1149D0416J		DELETED ...WASHER	A-BH, BP-EF ,EM,E Q-EZ, HY-JV	2
-60	284T0262-5001		...PROBE INSTL- (LIMITED) (USED ON ITEM 20)	A-BH, BP-BZ ,HY-J J	1
-60A	284T0262-5011		...PROBE INSTL- (LIMITED) (USED ON ITEM 20)	A-BH, BP-BZ ,HY-J J	1
-60B	284T0262-5021		...PROBE INSTL- (LIMITED) (USED ON ITEM 20)	A-BH, BP-BZ ,HY-J J	1
-65	284T0262-5002		...PROBE INSTL- (LIMITED) (USED ON ITEM 25)	A-BH, BP-BZ ,HY-J J	1
-65A	284T0262-5012		...PROBE INSTL- (LIMITED) (USED ON ITEM 25)	A-BH, BP-BZ ,HY-J J	1
-65B	284T0262-5022		...PROBE INSTL- (LIMITED) (USED ON ITEM 25)	A-BH, BP-BZ ,HY-J J	1

**32-11-20**

FIG. & ITEM	PART NO.	AIRLINE PART NUMBER	NOMENCLATURE 1234567	EFF CODE	QTY PER ASSY
04- -70	284T0262-5003		...PROBE INSTL- (LIMITED) (USED ON ITEM 30)	CA-EF ,EM,E Q-EZ, JK-JV	1
-70A	284T0262-5013		...PROBE INSTL- (LIMITED) (USED ON ITEM 30)	CA-EF ,EM,E Q-EZ, JK-JV	1
-70B	284T0262-5023		...PROBE INSTL- (LIMITED) (USED ON ITEM 30)	CA-EF ,EM,E Q-EZ, JK-JV	1
-75	284T0262-5004		...PROBE INSTL- (LIMITED) (USED ON ITEM 35)	CA-EF ,EM,E Q-EZ, JK-JV	1
-75A	284T0262-5014		...PROBE INSTL- (LIMITED) (USED ON ITEM 35)	CA-EF ,EM,E Q-EZ, JK-JV	1
-75B	284T0262-5024		...PROBE INSTL- (LIMITED) (USED ON ITEM 35)	CA-EF ,EM,E Q-EZ, JK-JV	1
-80	284T0262-5005		...PROBE INSTL- (LIMITED) (USED ON ITEM 40)	A-BH, BP-BZ ,HY-J J	1
-80A	284T0262-5015		...PROBE INSTL- (LIMITED) (USED ON ITEM 40)	A-BH, BP-BZ ,HY-J J	1
-80B	284T0262-5025		...PROBE INSTL- (LIMITED) (USED ON ITEM 40)	A-BH, BP-BZ ,HY-J J	1

# 32-11-20

 ILLUSTRATED PARTS LIST  
 01.1 Page 1058N  
 Nov 01/05

FIG. & ITEM	PART NO.	AIRLINE PART NUMBER	NOMENCLATURE 1234567	EFF CODE	QTY PER ASSY
04- -85	284T0262-5006		...PROBE INSTL- (LIMITED) (USED ON ITEM 45)	A-BH, BP-BZ ,HY-J J	1
-85A	284T0262-5016		...PROBE INSTL- (LIMITED) (USED ON ITEM 45)	A-BH, BP-BZ ,HY-J J	1
-85B	284T0262-5026		...PROBE INSTL- (LIMITED) (USED ON ITEM 45)	A-BH, BP-BZ ,HY-J J	1
-90	284T0262-5007		...PROBE INSTL- (LIMITED) (USED ON ITEM 50)	CA-EF ,EM,E Q-EZ, JK-JV	1
-90A	284T0262-5017		...PROBE INSTL- (LIMITED) (USED ON ITEM 50)	CA-EF ,EM,E Q-EZ, JK-JV	1
-90B	284T0262-5027		...PROBE INSTL- (LIMITED) (USED ON ITEM 50)	CA-EF ,EM,E Q-EZ, JK-JV	1
-95	284T0262-5008		...PROBE INSTL- (LIMITED) (USED ON ITEM 55)	CA-EF ,EM,E Q-EZ, JK-JV	1
-95A	284T0262-5018		...PROBE INSTL- (LIMITED) (USED ON ITEM 55)	CA-EF ,EM,E Q-EZ, JK-JV	1

**32-11-20**

ILLUSTRATED PARTS LIST  
01.1 Page 10580  
Nov 01/05

FIG. & ITEM	PART NO.	AIRLINE PART NUMBER	NOMENCLATURE 1234567	EFF CODE	QTY PER ASSY
04- -95B	284T0262-5028		...PROBE INSTL- (LIMITED) (USED ON ITEM 55)	CA-EF ,EM,E Q-EZ, JK-JV	1
100	NAS1801-4D9		DELETED		
105	AN960PD416L		DELETED		
110	3199634		....SENSOR- (V60678) (SPEC S283T002-2) (USED ON ITEMS 60, 65, 70, 75, 80, 85, 90, 95)	A-BH, BP-EF ,EM,E Q-EZ, HY-JV	1
-110A	3199634A		....SENSOR- (V60678) (SPEC S283T002-5) (USED ON ITEMS 60A, 65A, 70A, 75A, 80A, 85A, 90A, 95A)	A-BH, BP-EF ,EM,E Q-EZ, HY-JV	1
-110B	S283T002-8		DELETED		
-110C	3100050		....SENSOR- (V60678) (SPEC S283T002-8) (USED ON ITEMS 60B, 65B, 70B, 75B, 80B, 85B, 90B, 95B)	A-BH, BP-EF ,EM,E Q-EZ, HY-JV	1
115	BAC27TEX1633		...MARKER-ALUMINUM FOIL- TS91 (USED ON ITEM 20)	A-BH, BP-BZ ,HY-J J	1
-120	BAC27TEX1634		...MARKER-ALUMINUM FOIL- TS92 (USED ON ITEM 25)	A-BH, BP-BZ ,HY-J J	1
-125	BAC27TEX1637		...MARKER-ALUMINUM FOIL- TS95 (USED ON ITEM 30)	CA-EF ,EM,E Q-EZ, JK-JV	1
-130	BAC27TEX1638		...MARKER-ALUMINUM FOIL- TS96 (USED ON ITEM 35)	CA-EF ,EM,E Q-EZ, JK-JV	1

# 32-11-20

 ILLUSTRATED PARTS LIST  
 01.1 Page 1058P  
 Nov 01/05

 **BOEING**  
COMPONENT  
MAINTENANCE MANUAL

FIG. & ITEM	PART NO.	AIRLINE PART NUMBER	NOMENCLATURE 1234567	EFF CODE	QTY PER ASSY
04- -135	BAC27TEX1635		....MARKER-ALUMINUM FOIL- TS93 (USED ON ITEM 40)	A-BH, BP-BZ ,HY-J J	1
-140	BAC27TEX1636		...MARKER-ALUMINUM FOIL- TS92 (USED ON ITEM 45)	A-BH, BP-BZ ,HY-J J	1
-145	BAC27TEX1639		...MARKER-ALUMINUM FOIL- TS97 (USED ON ITEM 50)	CA-EF ,EM,E Q-EZ, JK-JV	1
-150	BAC27TEX1640		...MARKER-ALUMINUM FOIL- TS98 (USED ON ITEM 55)	CA-EF ,EM,E Q-EZ, JK-JV	1
-155	284T0267-13		..SENSOR INSTL-L SIDE BRACE DOWN AND LOCKED (USED ON ITEMS 10, 10A)	A-BH, BP-BZ ,HY-J J	1
-155A	284T0267-15		..SENSOR INSTL-L SIDE BRACE DOWN AND LOCKED (USED ON ITEMS 10B, 10C) (FOR DETAILS SEE FIG. 12)	A-BH, BP-BZ ,HY-J J	1
-160	284T0267-14		..SENSOR INSTL-R SIDE BRACE DOWN AND LOCKED (USED ON ITEMS 15, 15A)	CA-EF ,EM,E Q-EZ, JK-JV	1
-160A	284T0267-16		..SENSOR INSTL-R SIDE BRACE DOWN AND LOCKED (USED ON ITEMS 15B, 15C) (FOR DETAILS SEE FIG. 12)	CA-EF ,EM,E Q-EZ, JK-JV	1
-165	284T0267-5001		...SENSOR INSTL- (LIMITED)	A-BH, BP-BZ ,HY-J J	1
-165A	284T0267-5003		...SENSOR INSTL- (LIMITED)	A-BH, BP-BZ ,HY-J J	1

**32-11-20**

ILLUSTRATED PARTS LIST  
01.1 Page 1058Q  
Nov 01/05

FIG. & ITEM	PART NO.	AIRLINE PART NUMBER	NOMENCLATURE 1234567	EFF CODE	QTY PER ASSY
04- -170	284T0267-5002		...SENSOR INSTL- (LIMITED)	CA-EF ,EM,E Q-EZ, JK-JV	1
-170A	284T0267-5004		...SENSOR INSTL- (LIMITED)	CA-EF ,EM,E Q-EZ, JK-JV	1
175	BACR15BA3AD		....RIVET- (SIZE DETERMINE ON INST) (USED ON ITEMS 165, 170)	A-BH, BP-EF ,EM,E Q-EZ, HY-JV	4
180	HL19PB6-5		....BOLT- (V60516) (SPEC BACB30FN6-5) (OPT HL19PB6-5 (V73197)) (OPT HL19PB6-5 (V92215)) (OPT HL19PB6-5 (V97928)) (OPT 62547-6-5 (V56878)) (OPT HL19PB6-5 (V80539)) (OPT HL19PB6-5 (V08524)) (OPT HL19-6-5 (V06725)) (OPT L839-6-5 (V06725)) (OPT HL19PB6-5 (V56878)) (USED ON ITEMS 165A, 170A)	A-BH, BP-EF ,EM,E Q-EZ, HY-JV	2

# 32-11-20

 ILLUSTRATED PARTS LIST  
 01.1 Page 1058R  
 Nov 01/05

 **BOEING**  
COMPONENT  
MAINTENANCE MANUAL

FIG. & ITEM	PART NO.	AIRLINE PART NUMBER	NOMENCLATURE 1234567	EFF CODE	QTY PER ASSY
04-185	HL79-6		....COLLAR- (V5M902) (SPEC BACC30M6) (OPT HL79-6 (V73197)) (OPT HL79-6 (V92215)) (OPT 66014-6 (V56878)) (OPT HL79-6 (V56878)) (USED ON ITEMS 165A, 170A)	A-BH, BP-EF ,EM,E Q-EZ, HY-JV	2
190	NAS623-3-6		....SCREW	A-BH, BP-EF ,EM,E Q-EZ, HY-JV	2
195	AN960PD10L		....WASHER	A-BH, BP-EF ,EM,E Q-EZ, HY-JV	2
200	H10-3BAC		....NUT- (V15653) (SPEC BACN10JC3) (OPT NS202101-02 (V80539)) (OPT RMLH9075-3W (V72962)) (OPT T6S1032J (V71087)) (OPT VN303A02 (V92215)) (OPT 96-02 (V80539)) (OPT BRH10A3 (V52828))	A-BH, BP-EF ,EM,E Q-EZ, HY-JV	2

**32-11-20**

ILLUSTRATED PARTS LIST  
01.1 Page 1058S  
Nov 01/05

FIG. & ITEM	PART NO.	AIRLINE PART NUMBER	NOMENCLATURE 1234567	EFF CODE	QTY PER ASSY
04-205	284T0541-5		....BRACKET-TARGET (USED ON ITEM 165)	A-BH, BP-BZ ,HY-J J	1
210	284T0541-9		....BRACKET-TARGET (USED ON ITEM 165A)	A-BH, BP-BZ ,HY-J J	1
-215	284T0541-6		....BRACKET-TARGET (USED ON ITEM 170)	CA-EF ,EM,E Q-EZ, JK-JV	1
-220	284T0541-10		....BRACKET-TARGET (USED ON ITEM 170A)	CA-EF ,EM,E Q-EZ, JK-JV	1
225	284T0856-1		....TARGET- (USED ON ITEMS 165, 170)	A-BH, BP-EF ,EM,E Q-EZ, HY-JV	2
230	284T0870-1		....TARGET- (USED ON ITEMS 165A, 170A)	A-BH, BP-EF ,EM,E Q-EZ, HY-JV	2
235	284T0855-1		....SHIM- (USED ON ITEMS 165, 170)	A-BH, BP-EF ,EM,E Q-EZ, HY-JV	4
240	69B96332-1		....SHIM	A-BH, BP-EF ,EM,E Q-EZ, HY-JV	AR

# 32-11-20



FIG. & ITEM	PART NO.	AIRLINE PART NUMBER	NOMENCLATURE 1234567	EFF CODE	QTY PER ASSY
04-245	MS21340-25		....NUT	A-BH, BP-EF ,EM,E Q-EZ, HY-JV	2
250	NAS6603-12		....BOLT	A-BH, BP-EF ,EM,E Q-EZ, HY-JV	2
255	AN960PD10L		....WASHER	A-BH, BP-EF ,EM,E Q-EZ, HY-JV	2
260	AN960PD10		....WASHER	A-BH, BP-EF ,EM,E Q-EZ, HY-JV	2
265	H10-3BAC		....NUT- (V15653) (SPEC BACN10JC3) (OPT NS202101-02 (V80539)) (OPT RMLH9075-3W (V72962)) (OPT T6S1032J (V71087)) (OPT VN303A02 (V92215)) (OPT 96-02 (V80539)) (OPT BRH10A3 (V52828))	A-BH, BP-EF ,EM,E Q-EZ, HY-JV	2
270	284T0540-3		....BRACKET-MTG	A-BH, BP-EF ,EM,E Q-EZ, HY-JV	1
275	284T0857-1		....SPACER	A-BH, BP-EF ,EM,E Q-EZ, HY-JV	1

**32-11-20**

FIG. & ITEM	PART NO.	AIRLINE PART NUMBER	NOMENCLATURE 1234567	EFF CODE	QTY PER ASSY
04-280	BAC27TEX1137		....MARKER-ALUMINUM FOIL-S258	A-BH, BP-BZ ,HY-J J	1
-285	BAC27TEX1138		....MARKER-ALUMINUM FOIL-S262	CA-EF ,EM,E Q-EZ, JK-JV	1
290	BAC27TEX1139		....MARKER-ALUMINUM FOIL-S236	A-BH, BP-BZ ,HY-J J	1
-295	BAC27TEX1140		....MARKER-ALUMINUM FOIL-S240	CA-EF ,EM,E Q-EZ, JK-JV	1
-300	284T0267-3		..SENSOR INSTL-SYS 1 L DRAG BRACE DOWN (S237)	A-BH, BP-BZ ,HY-J J	1
-305	284T0267-4		..SENSOR INSTL-SYS 1 R DRAG BRACE DOWN (S241)	CA-EF ,EM,E Q-EZ, JK-JV	1
310 310A	NAS14P1032-9 NAS514P1032-9		DELETED ...SCREW	A-BH, BP-EF ,EM,E Q-EZ, HY-JV	2
315	NAS1801-3-10		...SCREW	A-BH, BP-EF ,EM,E Q-EZ, HY-JV	2
320	AN960PD10L		...WASHER	A-BH, BP-EF ,EM,E Q-EZ, HY-JV	4

# 32-11-20

 ILLUSTRATED PARTS LIST  
 01.1 Page 1058V  
 Nov 01/05

FIG. & ITEM	PART NO.	AIRLINE PART NUMBER	NOMENCLATURE 1234567	EFF CODE	QTY PER ASSY
04-325	H10-3BAC		...NUT- (V15653) (SPEC BACN10JC3) (OPT NS202101-02 (V80539)) (OPT RMLH9075-3W (V72962)) (OPT T6S1032J (V71087)) (OPT VN303A02 (V92215)) (OPT 96-02 (V80539)) (OPT BRH10A3 (V52828))	A-BH, BP-EF ,EM,E Q-EZ, HY-JV	4
330	284T0424-2		...BRACKET-MTG	A-BH, BP-BZ ,HY-J J	1
-335	284T0424-1		...BRACKET-MTG	CA-EF ,EM,E Q-EZ, JK-JV	1
340	284T0278-3		...SHIM	A-BH, BP-EF ,EM,E Q-EZ, HY-JV	1
345	284T0279-4		...TARGET	A-BH, BP-EF ,EM,E Q-EZ, HY-JV	1
350	NAS1801-3-11		...SCREW	A-BH, BP-EF ,EM,E Q-EZ, HY-JV	2
355	AN960PD10L		...WASHER	A-BH, BP-EF ,EM,E Q-EZ, HY-JV	2

**32-11-20**

FIG. & ITEM	PART NO.	AIRLINE PART NUMBER	NOMENCLATURE 1234567	EFF CODE	QTY PER ASSY
04-360	H10-3BAC		...NUT- (V15653) (SPEC BACN10JC3) (OPT NS202101-02 (V80539)) (OPT RMLH9075-3W (V72962)) (OPT T6S1032J (V71087)) (OPT VN303A02 (V92215)) (OPT 96-02 (V80539)) (OPT BRH10A3 (V52828))	A-BH, BP-EF ,EM,E Q-EZ, HY-JV	2
365	BAC27TEX1143		...MARKER-ALUMINUM FOIL- S237	A-BH, BP-BZ ,HY-J J	1
-370	BAC27TEX1144		...MARKER-ALUMINUM FOIL- S241	CA-EF ,EM,E Q-EZ, JK-JV	1
-375	284T0267-7		..SENSOR INSTL-SYS 2 L DRAG BRACE DOWN (S259)	A-BH, BP-BZ ,HY-J J	1
-380	284T0267-8		..SENSOR INSTL-SYS 2 R DRAG BRACE DOWN (S263)	CA-EF ,EM,E Q-EZ, JK-JV	1
385	NAS514P1032-9		...SCREW	A-BH, BP-EF ,EM,E Q-EZ, HY-JV	2
390	NAS1801-3-10		...SCREW	A-BH, BP-EF ,EM,E Q-EZ, HY-JV	2

# 32-11-20

 ILLUSTRATED PARTS LIST  
 01.1 Page 1058X  
 Nov 01/05

FIG. & ITEM	PART NO.	AIRLINE PART NUMBER	NOMENCLATURE 1234567	EFF CODE	QTY PER ASSY
04-395	AN960PD10L		...WASHER	A-BH, BP-EF ,EM,E Q-EZ, HY-JV	4
400	H10-3BAC		...NUT- (V15653) (SPEC BACN10JC3) (OPT NS202101-02 (V80539)) (OPT RMLH9075-3W (V72962)) (OPT T6S1032J (V71087)) (OPT VN303A02 (V92215)) (OPT 96-02 (V80539)) (OPT BRH10A3 (V52828))	A-BH, BP-EF ,EM,E Q-EZ, HY-JV	4
405	284T0424-1		...BRACKET-MTG	A-BH, BP-BZ ,HY-J J	1
-410	284T0424-2		...BRACKET-MTG	CA-EF ,EM,E Q-EZ, JK-JV	1
415	284T0278-3		...SHIM	A-BH, BP-EF ,EM,E Q-EZ, HY-JV	1

**32-11-20**

ILLUSTRATED PARTS LIST  
01.1 Page 1058Y  
Nov 01/05

FIG. & ITEM	PART NO.	AIRLINE PART NUMBER	NOMENCLATURE 1234567	EFF CODE	QTY PER ASSY
04-420	284T0279-4		...TARGET	A-BH, BP-EF ,EM,E Q-EZ, HY-JV	1
425	NAS1801-3-11		...SCREW	A-BH, BP-EF ,EM,E Q-EZ, HY-JV	2
430	AN960PD10L		...WASHER	A-BH, BP-EF ,EM,E Q-EZ, HY-JV	2
435	H10-3BAC		...NUT- (V15653) (SPEC BACN10JC3) (OPT NS202101-02 (V80539)) (OPT RMLH9075-3W (V72962)) (OPT T6S1032J (V71087)) (OPT VN303A02 (V92215)) (OPT 96-02 (V80539)) (OPT BRH10A3 (V52828))	A-BH, BP-EF ,EM,E Q-EZ, HY-JV	2

# 32-11-20

 ILLUSTRATED PARTS LIST  
 01.1 Page 1058Z  
 Nov 01/05

FIG. & ITEM	PART NO.	AIRLINE PART NUMBER	NOMENCLATURE 1234567	EFF CODE	QTY PER ASSY
04-440	BAC27TEX1141		...MARKER-ALUMINUM FOIL-S259	A-BH, BP-BZ ,HY-J J	1
-445	BAC27TEX1142		...MARKER-ALUMINUM FOIL-S263	CA-EF ,EM,E Q-EZ, JK-JV	1
-450	284T0270-1		..SENSOR INSTL-SYS 1 L GEAR TILT (S245)	A-BH, BP-BZ ,HY-J J	1
-455	284T0270-2		..SENSOR INSTL-SYS 1 R GEAR TILT (S246)	CA-EF ,EM,E Q-EZ, JK-JV	1
460 460A	BACR15BB3AD NAS1398D4A		DELETED ...RIVET- (SIZE DETERMINE ON INST)	A-BH, BP-EF ,EM,E Q-EZ, HY-JV	1
-462	284T0270-7001		...COLLECTOR-COMMON PT	A-BH, BP-EF ,EM,E Q-EZ, HY-JV	1
465	NAS1801-3-9		....SCREW	A-BH, BP-EF ,EM,E Q-EZ, HY-JV	2

32-11-20

FIG. & ITEM	PART NO.	AIRLINE PART NUMBER	NOMENCLATURE 1234567	EFF CODE	QTY PER ASSY
04- 470 470A 470B	AN960PD10L AN960KD10L AN960JD10L		DELETED DELETED ....WASHER	A-BH, BP-EF ,EM,E Q-EZ, HY-JV	2
475 475A	H10-3BAC MS21042L3		DELETED ....NUT	A-BH, BP-EF ,EM,E Q-EZ, HY-JV	2
480	284T0278-2		....SHIM	A-BH, BP-EF ,EM,E Q-EZ, HY-JV	1
485	NAS6604-12		....BOLT	A-BH, BP-EF ,EM,E Q-EZ, HY-JV	2
490 490A 490B	AN960PD416L AN960KD416L AN960JD416L		DELETED DELETED ....WASHER	A-BH, BP-EF ,EM,E Q-EZ, HY-JV	2
495 495A	H10-4BAC MS21042L4		DELETED ....NUT	A-BH, BP-EF ,EM,E Q-EZ, HY-JV	2
500	284T0426-1		....BRACKET	A-BH, BP-EF ,EM,E Q-EZ, HY-JV	1

# 32-11-20

 ILLUSTRATED PARTS LIST  
 01.1 Page 1060  
 Nov 01/05



FIG. & ITEM	PART NO.	AIRLINE PART NUMBER	NOMENCLATURE 1234567	EFF CODE	QTY PER ASSY
04- 505 505A	BACB30NJ6K19 BACB30UU6K19		DELETED ....BOLT	A-BH, BP-EF ,EM,E Q-EZ, HY-JV	2
510 510A 510B	AN960PD616L AN960KD616L AN960JD616L		DELETED DELETED ....WASHER- (PRE SB 767-27A0160)	A-BH, BP-EF ,EM,E Q-EZ, HY-JV	4
-510C	NAS1149D0416J		....WASHER- (POST SB 767-27A0160)	A-BH, BP-EF ,EM,E Q-EZ, HY-JV	4
515 515A	H10-6BAC MS21042L6		DELETED ....NUT	A-BH, BP-EF ,EM,E Q-EZ, HY-JV	2
520	284T0519-1		....SHIM- (PRE SB 767-27A0160)	A-BH, BP-EF ,EM,E Q-EZ, HY-JV	AR
-520A	284T0519-4		....SHIM- (POST SB 767-27A0160)	A-BH, BP-EF ,EM,E Q-EZ, HY-JV	AR

**32-11-20**

FIG. & ITEM	PART NO.	AIRLINE PART NUMBER	NOMENCLATURE 1234567	EFF CODE	QTY PER ASSY
04- -521	284T0270-5001		...COLLECTOR-LIMITED PT (USED ON ITEMS 450, 455)	A-BH, BP-EF ,EM,E Q-EZ, HY-JV	1
-521A	284T0270-5002		...COLLECTOR-LIMITED PT (USED ON ITEMS 450, 455)	A-BH, BP-EF ,EM,E Q-EZ, HY-JV	1
-521B	284T0270-5003		...COLLECTOR-LIMITED PT (USED ON ITEMS 450, 455)	A-BH, BP-EF ,EM,E Q-EZ, HY-JV	1
525	284T0437-2		....BRACKET ASSY- (USED ON ITEM 521)	A-BH, BP-EF ,EM,E Q-EZ, HY-JV	1
-525A	284T0437-3		....BRACKET ASSY- (USED ON ITEM 521A)	A-BH, BP-EF ,EM,E Q-EZ, HY-JV	1
-525B	284T0437-4		....BRACKET ASSY- (OPT ITEM 525C) (USED ON ITEM 521B)	A-BH, BP-EF ,EM,E Q-EZ, HY-JV	1
-525C	284T0437-5		....BRACKET ASSY-(REWORK) (OPT ITEM 525B) (USED ON ITEM 521B) (PRE SB 767-27A0160)	A-BH, BP-EF ,EM,E Q-EZ, HY-JV	1
-525D	284T0437-9		....BRACKET ASSY- (USED ON ITEM 521B) (POST SB 767-27A0160) (FOR DETAILS SEE FIG. 20)	A-BH, BP-EF ,EM,E Q-EZ, HY-JV	1

# 32-11-20

 ILLUSTRATED PARTS LIST  
 01.1 Page 1060B  
 Nov 01/05

 **BOEING**  
COMPONENT  
MAINTENANCE MANUAL

FIG. & ITEM	PART NO.	AIRLINE PART NUMBER	NOMENCLATURE 1234567	EFF CODE	QTY PER ASSY
04-530	BACR15BA3AD		.....RIVET- (SIZE DETERMINE ON INST) (USED ON ITEMS 525, 525A)	A-BH, BP-EF ,EM,E Q-EZ, HY-JV	8
-530A	BACR15BA4AD		.....RIVET- (SIZE DETERMINE ON INST) (USED ON ITEM 525C)	A-BH, BP-EF ,EM,E Q-EZ, HY-JV	8
532	BACR15BA3AD		.....RIVET- (SIZE DETERMINE ON INST) (USED ON ITEM 525B)	A-BH, BP-EF ,EM,E Q-EZ, HY-JV	12
535	284T0427-1		.....TARGET- (USED ON ITEMS 525, 525A)	A-BH, BP-EF ,EM,E Q-EZ, HY-JV	2
-535A	284T0427-2		.....TARGET- (USED ON ITEM 525B)	A-BH, BP-EF ,EM,E Q-EZ, HY-JV	2
-535B	284T0427-3		.....TARGET- (USED ON ITEM 525C)	A-BH, BP-EF ,EM,E Q-EZ, HY-JV	2

**32-11-20**

ILLUSTRATED PARTS LIST  
01.1 Page 1060C  
Nov 01/05

FIG. & ITEM	PART NO.	AIRLINE PART NUMBER	NOMENCLATURE 1234567	EFF CODE	QTY PER ASSY
04-540	284T0425-5		.....BRACKET- (OPT ITEM 540A) (USED ON ITEM 525)	A-BH, BP-EF ,EM,E Q-EZ, HY-JV	1
-540A	284T0425-3		.....BRACKET- (OPT ITEM 540) (USED ON ITEM 525)	A-BH, BP-EF ,EM,E Q-EZ, HY-JV	1
-540B	284T0425-7		.....BRACKET- (USED ON ITEMS 525A, 525B, 525C)	A-BH, BP-EF ,EM,E Q-EZ, HY-JV	1
545	BAC27TEX1190		...MARKER-ALUMINUM FOIL- S245	A-BH, BP-BZ ,HY-J J	1
-550	BAC27TEX1188		...MARKER-ALUMINUM FOIL- S246	CA-EF ,EM,E Q-EZ, JK-JV	1
-555	284T0270-3		..SENSOR INSTL-SYS 2 L GEAR TILT (S267)	A-BH, BP-BZ ,HY-J J	1
-560	284T0270-4		..SENSOR INSTL-SYS 2 R GEAR TILT (S268)	CA-EF ,EM,E Q-EZ, JK-JV	1
565 565A	BACR15BB3AD NAS1398D4A		DELETED ...RIVET- (SIZE DETERMINE ON INST)	A-BH, BP-EF ,EM,E Q-EZ, HY-JV	AR
570	NAS1801-3-9		...SCREW	A-BH, BP-EF ,EM,E Q-EZ, HY-JV	2

# 32-11-20

 ILLUSTRATED PARTS LIST  
 01.1 Page 1060D  
 Nov 01/05

FIG. & ITEM	PART NO.	AIRLINE PART NUMBER	NOMENCLATURE 1234567	EFF CODE	QTY PER ASSY
04- 575 575A 575B	AN960PD10L AN960KD10L AN960JD10L		DELETED DELETED ...WASHER	A-BH, BP-EF ,EM,E Q-EZ, HY-JV	2
580 580A	H10-3BAC MS21042L3		DELETED ...NUT	A-BH, BP-EF ,EM,E Q-EZ, HY-JV	2
585 585A	284T0278-5 284T0278-2		DELETED ...SHIM	A-BH, BP-EF ,EM,E Q-EZ, HY-JV	1
590	BAC27TEX1191		...MARKER-ALUMINUM FOIL- S267	A-BH, BP-BZ ,HY-J J	1
-595	BAC27TEX1189		...MARKER-ALUMINUM FOIL- S268	CA-EF ,EM,E Q-EZ, JK-JV	1

- Item Not Illustrated

**32-11-20**

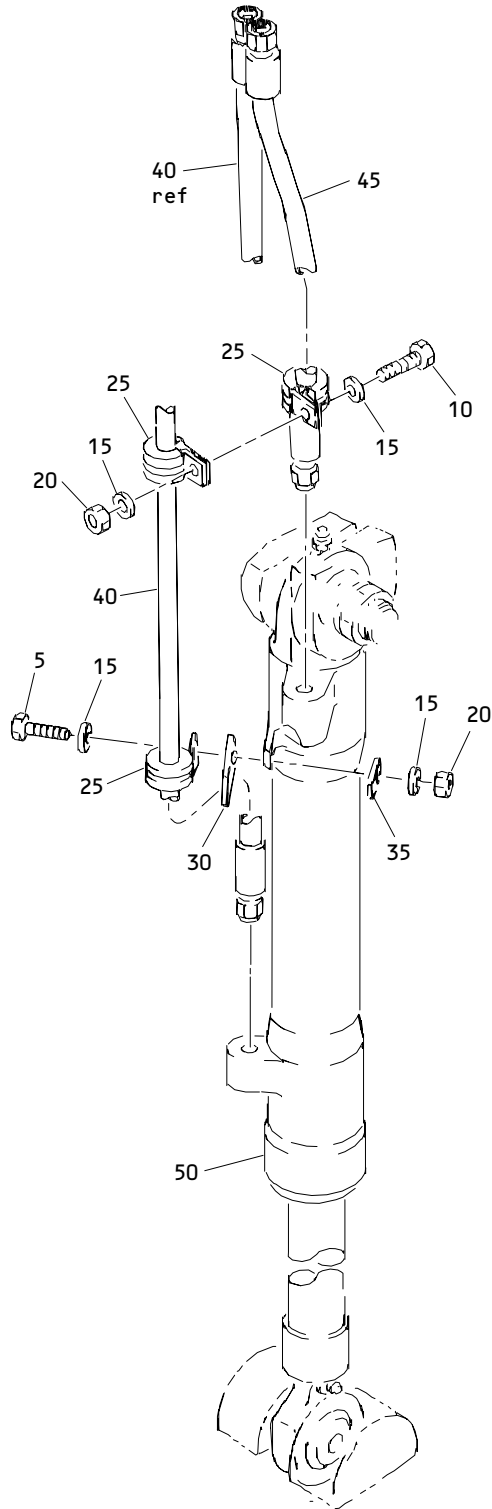
ILLUSTRATED PARTS LIST  
01.1 Page 1060E  
Nov 01/05

FIG. & ITEM	PART NO.	AIRLINE PART NUMBER	NOMENCLATURE 1234567	EFF CODE	QTY PER ASSY
05-					
-1	273T6300-1		DELETED		
-5	273T6300-5001		DELETED		
-5A	273T6300-5002		DELETED		
-5B	273T6300-5003		DELETED		
10	NAS1801-3-14		DELETED		
15	NAS1801-3-8		DELETED		
20	AN960PD10L		DELETED		
25	H10-3BAC		DELETED		
30	M85052-2-8		DELETED		
35	50-3361-8201		DELETED		
40	273T6211-1		DELETED		
45	AC115-04K0236		DELETED		
-45A	82000-0406236		DELETED		
50	AS154A04EE0130B		DELETED		
-50A	AS152A04EE0130D		DELETED		
55	273T6300-3		DELETED		
-55A	273T6300-2		DELETED		
-55B	273T6300-4		DELETED		

- Item Not Illustrated

# 32-11-20

 ILLUSTRATED PARTS LIST  
 01.1 Page 1060F  
 Nov 01/05



Main Landing Gear Drag Brace Lockout Actuator Installation  
 Figure 6

**32-11-20**

ILLUSTRATED PARTS LIST  
 01.1 Page 1060H  
 Nov 01/05

FIG. & ITEM	PART NO.	AIRLINE PART NUMBER	NOMENCLATURE 1234567	EFF CODE	QTY PER ASSY
06- -1	273T6300-5		ACTUATOR INSTL-MLG DRAG BRACE LOCKOUT	A-BH, BP-EF ,EM,E Q-EZ, HY-JV	RF
-1A	273T6300-7		ACTUATOR INSTL-MLG DRAG BRACE LOCKOUT	A-BH, BP-EF ,EM,E Q-EZ, HY-JV	RF
5	NAS1801-3-14		.SCREW	A-BH, BP-EF ,EM,E Q-EZ, HY-JV	1
10	NAS1801-3-8		.SCREW	A-BH, BP-EF ,EM,E Q-EZ, HY-JV	1
15	AN960PD10L		.WASHER	A-BH, BP-EF ,EM,E Q-EZ, HY-JV	4
20	H10-3BAC		.NUT- (V15653) (SPEC BACN10JC3) (OPT NS202101-02 (V80539)) (OPT RMLH9075-3W (V72962)) (OPT T6S1032J (V71087)) (OPT VN303A02 (V92215)) (OPT 96-02 (V80539)) (OPT BRH10A3 (V52828))	A-BH, BP-EF ,EM,E Q-EZ, HY-JV	2

**32-11-20**

ILLUSTRATED PARTS LIST  
01.1 Page 1060I  
Nov 01/05



FIG. & ITEM	PART NO.	AIRLINE PART NUMBER	NOMENCLATURE 1234567	EFF CODE	QTY PER ASSY
06-25	M85052-2-8		.CLAMP	A-BH, BP-EF ,EM,E Q-EZ, HY-JV	3
30	50-3361-8201		.FILLER-RADIUS	A-BH, BP-EF ,EM,E Q-EZ, HY-JV	1
35	273T6211-1		.FILLER	A-BH, BP-EF ,EM,E Q-EZ, HY-JV	1
40	AS115-04K0236		.HOSE- (OPT ITEM 40A)	A-BH, BP-EF ,EM,E Q-EZ, HY-JV	1
-40A	AS115-04D0236		.HOSE- (OPT ITEM 40)	A-BH, BP-EF ,EM,E Q-EZ, HY-JV	1
45	AS154A04EE0130B		.HOSE- (V00624) (SPEC BACH8A04EE0130B) (OPT B472-4EE0130B (V03925)) (OPT R29120EE4B0130 (V06851)) (OPT 97934A04EE0130B (V78570)) (OPT ITEM 45A)	A-BH, BP-EF ,EM,E Q-EZ, HY-JV	1
-45A	AS152A04EE0130D		.HOSE- (V00624) (SPEC BACH8A04EE0130D) (OPT B472-4EE0130D (V03925)) (OPT R29120EE4D0130 (V06851)) (OPT 97934A04EE0130D (V78570)) (OPT ITEM 45)	A-BH, BP-EF ,EM,E Q-EZ, HY-JV	1

# 32-11-20

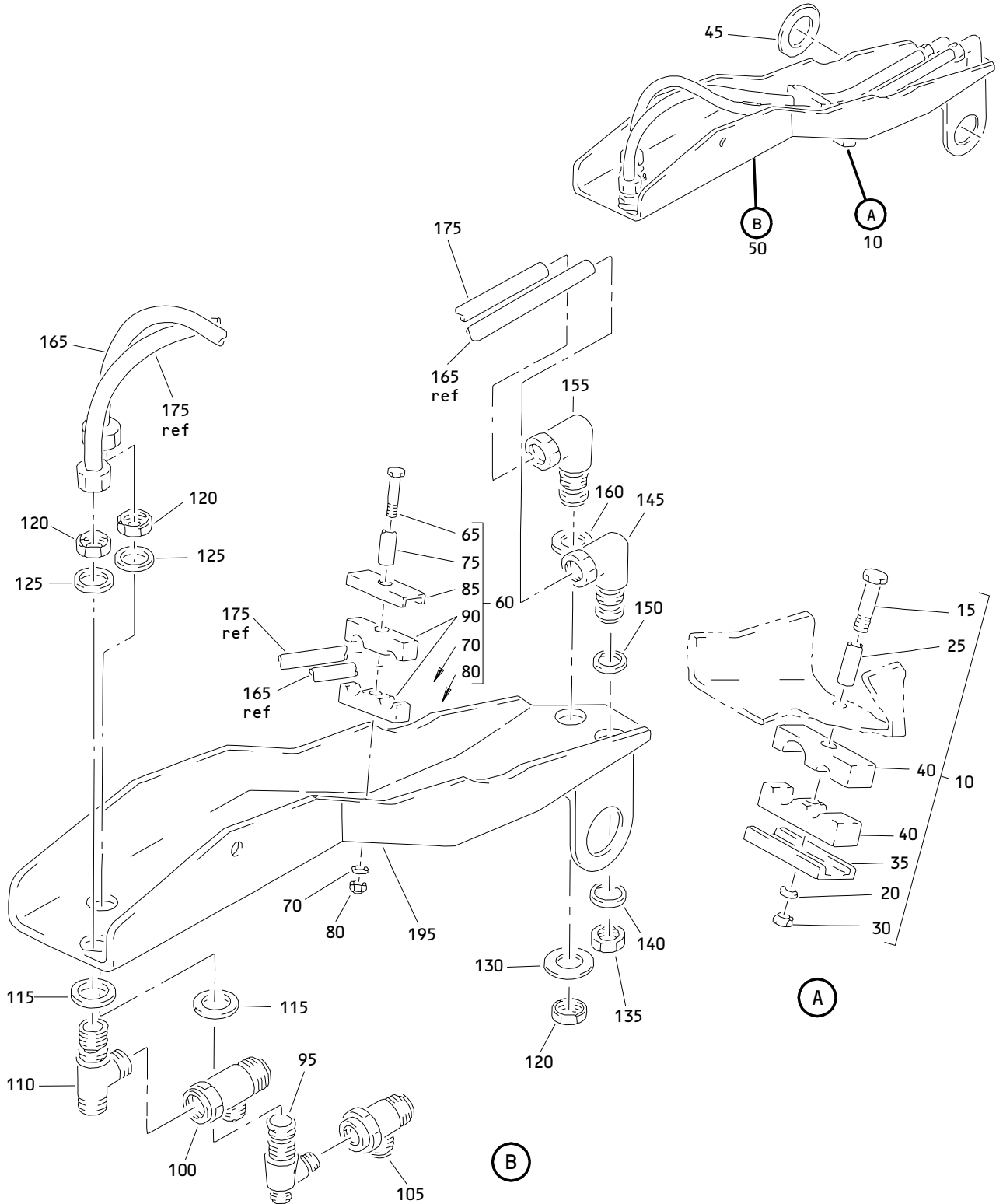
 ILLUSTRATED PARTS LIST  
 01.1 Page 1060J  
 Nov 01/05

FIG. & ITEM	PART NO.	AIRLINE PART NUMBER	NOMENCLATURE	EFF CODE	QTY PER ASSY
			1234567		
06-50	273T6300-6		.ACTUATOR ASSY- (USED ON ITEM 1) (REF CMM 32-32-22)	A-BH, BP-EF ,EM,E Q-EZ, HY-JV	1
-50A	273T6300-8		.ACTUATOR ASSY- (USED ON ITEM 1A) (REF CMM 32-32-22)	A-BH, BP-EF ,EM,E Q-EZ, HY-JV	1

- Item Not Illustrated

**32-11-20**

ILLUSTRATED PARTS LIST  
01.1 Page 1060K  
Nov 01/05

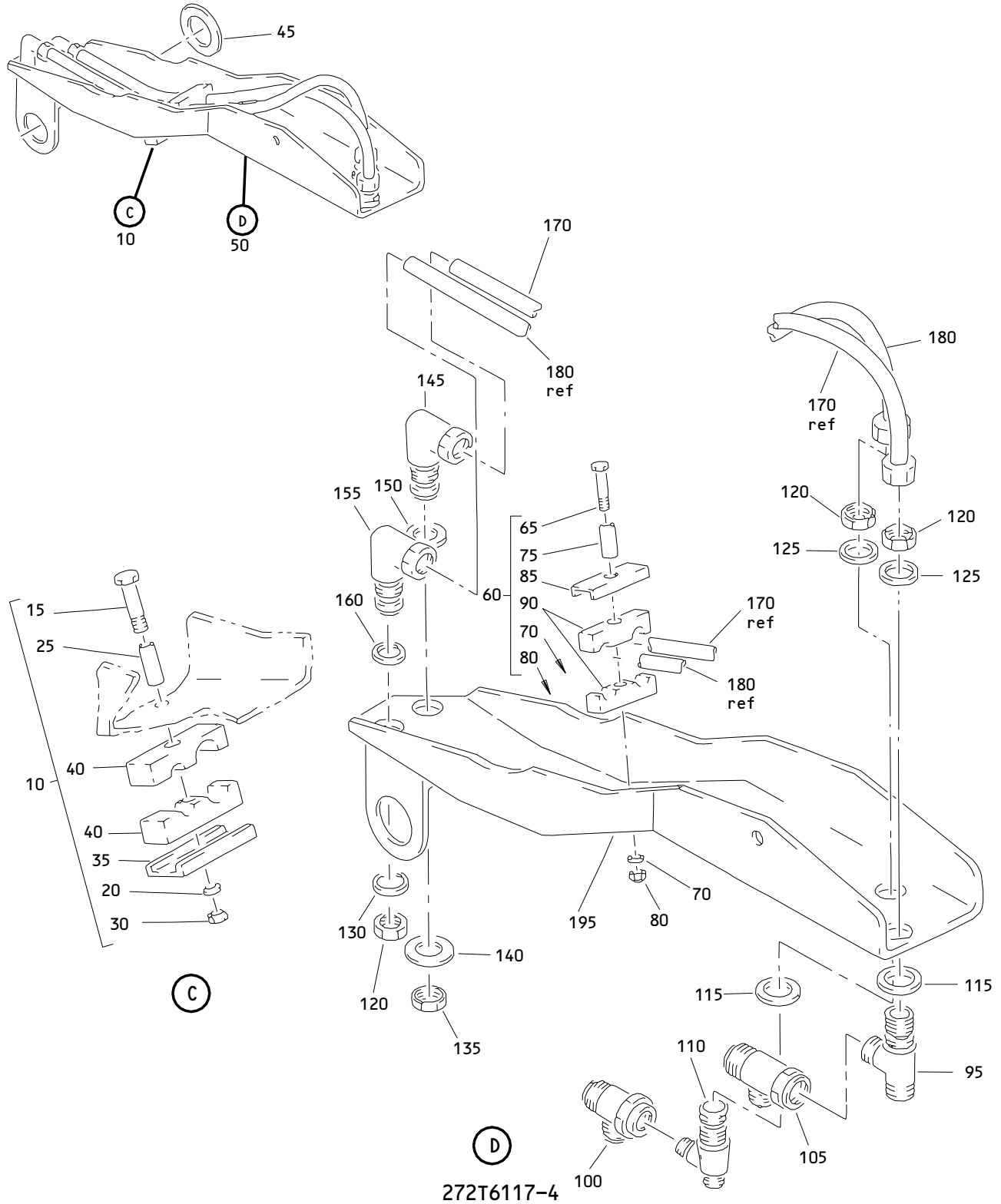


272T6117-3

Bracket Installation  
Figure 7 (Sheet 1)

**32-11-20**

ILLUSTRATED PARTS LIST  
01.1 Page 1060M  
Nov 01/05



**Bracket Installation  
 Figure 7 (Sheet 2)**

**32-11-20**

ILLUSTRATED PARTS LIST  
 01.1 Page 1060N  
 Nov 01/05



**BOEING**  
COMPONENT  
MAINTENANCE MANUAL

FIG. & ITEM	PART NO.	AIRLINE PART NUMBER	NOMENCLATURE 1234567	EFF CODE	QTY PER ASSY
07- -1	272T6117-3		BRACKET INSTL-MLG (LH)	A-BH, BP-BZ ,HY-J J	RF
-5	272T6117-4		BRACKET INSTL-MLG (RH)	CA-EF ,EM,E Q-EZ, JK-JV	RF
10	270T0005-230		.BLOCK ASSY-SPRT	A-BH, BP-EF ,EM,E Q-EZ, HY-JV	1
15	NAS1801-3-29		..SCREW	A-BH, BP-EF ,EM,E Q-EZ, HY-JV	1
20	AN960PD10L		..WASHER	A-BH, BP-EF ,EM,E Q-EZ, HY-JV	1
25	NAS43DD3-80		..SPACER	A-BH, BP-EF ,EM,E Q-EZ, HY-JV	1
30	H10-3BAC		..NUT- (V15653) (SPEC BACN10JC3) (OPT NS202101-02 (V80539)) (OPT RMLH9075-3W (V72962)) (OPT T6S1032J (V71087)) (OPT VN303A02 (V92215)) (OPT 96-02 (V80539)) (OPT BRH10A3 (V52828))	A-BH, BP-EF ,EM,E Q-EZ, HY-JV	1

32-11-20

ILLUSTRATED PARTS LIST  
01.1 Page 10600  
Nov 01/05

FIG. & ITEM	PART NO.	AIRLINE PART NUMBER	NOMENCLATURE 1234567	EFF CODE	QTY PER ASSY
07-35	270T0004-96		..CHANNEL	A-BH, BP-EF ,EM,E Q-EZ, HY-JV	1
40	270T0004-265		..BLOCK-CLAMP	A-BH, BP-EF ,EM,E Q-EZ, HY-JV	2
45	BACW10BP24P		.WASHER	A-BH, BP-EF ,EM,E Q-EZ, HY-JV	1
50	272T6117-7		.BRACKET ASSY	A-BH, BP-BZ ,HY-J J	1
-55	272T6117-8		.BRACKET ASSY	CA-EF ,EM,E Q-EZ, JK-JV	1
60	270T0005-231		..BLOCK ASSY-SPRT	A-BH, BP-EF ,EM,E Q-EZ, HY-JV	1
65	NAS1801-3-22		...SCREW	A-BH, BP-EF ,EM,E Q-EZ, HY-JV	1

# 32-11-20

 ILLUSTRATED PARTS LIST  
 01.1 Page 1060P  
 Nov 01/05

FIG. & ITEM	PART NO.	AIRLINE PART NUMBER	NOMENCLATURE 1234567	EFF CODE	QTY PER ASSY
07-70	AN960PD10L		...WASHER	A-BH, BP-EF ,EM,E Q-EZ, HY-JV	1
75	NAS43DD3-60		...SPACER	A-BH, BP-EF ,EM,E Q-EZ, HY-JV	1
80	H10-3BAC		...NUT- (V15653) (SPEC BACN10JC3) (OPT NS202101-02 (V80539)) (OPT RMLH9075-3W (V72962)) (OPT T6S1032J (V71087)) (OPT VN303A02 (V92215)) (OPT 96-02 (V80539)) (OPT BRH10A3 (V52828))	A-BH, BP-EF ,EM,E Q-EZ, HY-JV	1
85	65B80254-180		...CHANNEL	A-BH, BP-EF ,EM,E Q-EZ, HY-JV	1

**32-11-20**

ILLUSTRATED PARTS LIST  
01.1 Page 1060Q  
Nov 01/05

FIG. & ITEM	PART NO.	AIRLINE PART NUMBER	NOMENCLATURE 1234567	EFF CODE	QTY PER ASSY
07-90	65B80254-122		...BLOCK-CLAMP	A-BH, BP-EF ,EM,E Q-EZ, HY-JV	2
95	AFP329-060406		..TEE- (V30974) (SPEC BACT16AX060406) (OPT APX804-060406 (V01673)) (OPT DBOT16AX060406 (V14798)) (OPT ER804-060406 (V50948)) (OPT FER1551-060406 (V14397)) (OPT ER804-060406 (V88334)) (OPT LER804A060406 (V11328)) (OPT NAF1844-060406 (V52930)) (OPT US1929-060406 (V50808))	A-BH, BP-EF ,EM,E Q-EZ, HY-JV	1
100	DBOT16AY060606		..TEE- (V14798) (SPEC BACT16AY060606) (OPT ER10604-060606 (V88334)) (OPT W30804-060606 (V11328)) (OPT 4671113-060606 (V30780)) (OPT ITEM 100A)	A-BH, BP-EF ,EM,E Q-EZ, HY-JV	1
-100A	BACT16BR060606P		..TEE- (OPT ITEM 100)	A-BH, BP-EF ,EM,E Q-EZ, HY-JV	1

# 32-11-20

 ILLUSTRATED PARTS LIST  
 01.1 Page 1060R  
 Nov 01/05



FIG. & ITEM	PART NO.	AIRLINE PART NUMBER	NOMENCLATURE 1234567	EFF CODE	QTY PER ASSY
07-105	DB0T16AY061010		..TEE- (V14798) (SPEC BACT16AY061010) (OPT ER10604-061010 (V88334)) (OPT W30804-061010 (V11328)) (OPT 4671113-061010 (V30780))	A-BH, BP-EF ,EM,E Q-EZ, HY-JV	1
110	MS21912-6		..TEE	A-BH, BP-EF ,EM,E Q-EZ, HY-JV	1
115	AN960PD916		..WASHER	A-BH, BP-EF ,EM,E Q-EZ, HY-JV	2
120	AN924-6D		..NUT	A-BH, BP-EF ,EM,E Q-EZ, HY-JV	3
125	AN960PD916L		..WASHER	A-BH, BP-EF ,EM,E Q-EZ, HY-JV	2

**32-11-20**

ILLUSTRATED PARTS LIST  
01.1 Page 1060S  
Nov 01/05

FIG. & ITEM	PART NO.	AIRLINE PART NUMBER	NOMENCLATURE 1234567	EFF CODE	QTY PER ASSY
07-130	AN960PD916		..WASHER	A-BH, BP-EF ,EM,E Q-EZ, HY-JV	1
135	AN924-4D		..NUT	A-BH, BP-EF ,EM,E Q-EZ, HY-JV	1
140	AN960PD716		..WASHER	A-BH, BP-EF ,EM,E Q-EZ, HY-JV	1
145	AFP3160406		..ELBOW- (V30974) (SPEC BACE21AS0406) (OPT DBOE21AS0406 (V14798)) (OPT ER833-0406 (V50948)) (OPT ER833-0406 (V88334)) (OPT FER15800406 (V14397)) (OPT LER833-0406 (V11328)) (OPT APX8330406 (V01673)) (OPT NAF1833-0406 (V52930)) (OPT US1924-0406 (V50808))	A-BH, BP-EF ,EM,E Q-EZ, HY-JV	1

# 32-11-20

 ILLUSTRATED PARTS LIST  
 01.1 Page 1060T  
 Nov 01/05

FIG. & ITEM	PART NO.	AIRLINE PART NUMBER	NOMENCLATURE 1234567	EFF CODE	QTY PER ASSY
07-150	AN960PD716L		..WASHER	A-BH, BP-EF ,EM,E Q-EZ, HY-JV	1
155	MS21908-6		..ELBOW- (OPT ITEM 155A)	A-BH, BP-EF ,EM,E Q-EZ, HY-JV	1
-155A	BACE21BN0606J		..ELBOW- (OPT ITEM 155)	A-BH, BP-EF ,EM,E Q-EZ, HY-JV	1
160	AN960PD916L		..WASHER	A-BH, BP-EF ,EM,E Q-EZ, HY-JV	1
165	272T6100-105		..TUBE ASSY	A-BH, BP-BZ ,HY-J J	1
-170	272T6100-106		..TUBE ASSY	CA-EF ,EM,E Q-EZ, JK-JV	1
175	272T6100-111		..TUBE ASSY	A-BH, BP-BZ ,HY-J J	1
-180	272T6100-112		..TUBE ASSY	CA-EF ,EM,E Q-EZ, JK-JV	1

**32-11-20**

ILLUSTRATED PARTS LIST  
01.1 Page 1060U  
Nov 01/05

FIG. & ITEM	PART NO.	AIRLINE PART NUMBER	NOMENCLATURE 1234567	EFF CODE	QTY PER ASSY
07- -185	AS1581T06		...SLEEVE	A-BH, BP-EF ,EM,E Q-EZ, HY-JV	2
-190	AFP107-6		...NUT- (V30974) (SPEC BACN10NR6) (OPT AP1028T6 (V01673)) (OPT BC921T6 (V50948)) (OPT DBON10NR6 (V14798)) (OPT ER01921-6T (V88334)) (OPT FER8928-6 (V14397)) (OPT F11-6 (V73197)) (OPT 2-03005T6 (V11328)) (OPT 31783-6 (V14397)) (OPT ITEMS 190A, 190B)	A-BH, BP-EF ,EM,E Q-EZ, HY-JV	2
-190A	BACN10YA6		...NUT- (OPT ITEM 190)	A-BH, BP-EF ,EM,E Q-EZ, HY-JV	2
-190B	BACN10YA6L		...NUT- (OPT ITEM 190)	A-BH, BP-EF ,EM,E Q-EZ, HY-JV	2

# 32-11-20

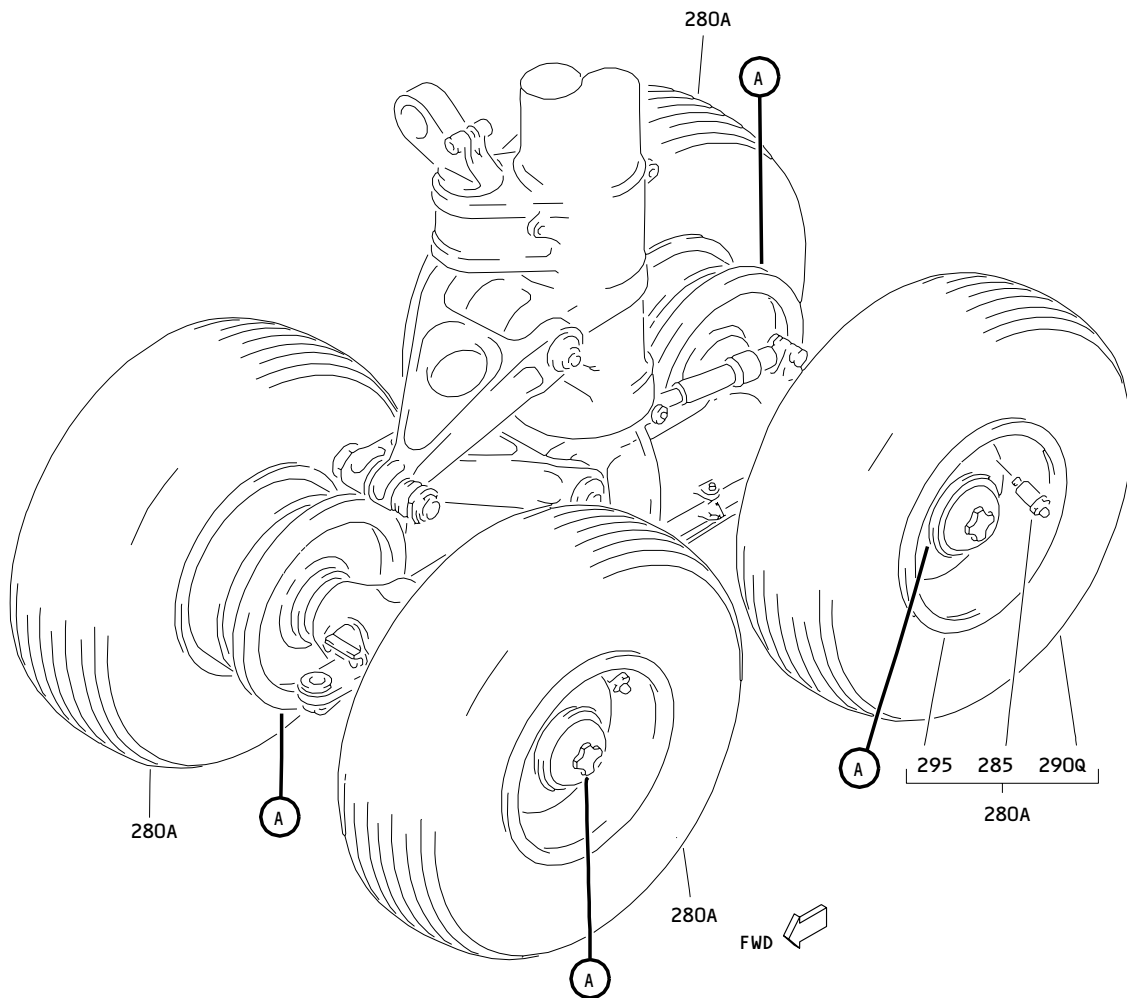
 ILLUSTRATED PARTS LIST  
 01.1 Page 1060V  
 Nov 01/05

FIG. & ITEM	PART NO.	AIRLINE PART NUMBER	NOMENCLATURE 1234567	EFF CODE	QTY PER ASSY
07-195	272T6131-3		..SUPPORT ASSY-HOSE	A-BH, BP-BZ ,HY-J J	1
-200	272T6131-4		..SUPPORT ASSY-HOSE	CA-EF ,EM,E Q-EZ, JK-JV	1
-205 -205A	7355 8412		DELETED .TAPE- (REPLS ITEM 205) (V26066)	A-BH, BP-EF ,EM,E Q-EZ, HY-JV	AR

- Item Not Illustrated

**32-11-20**

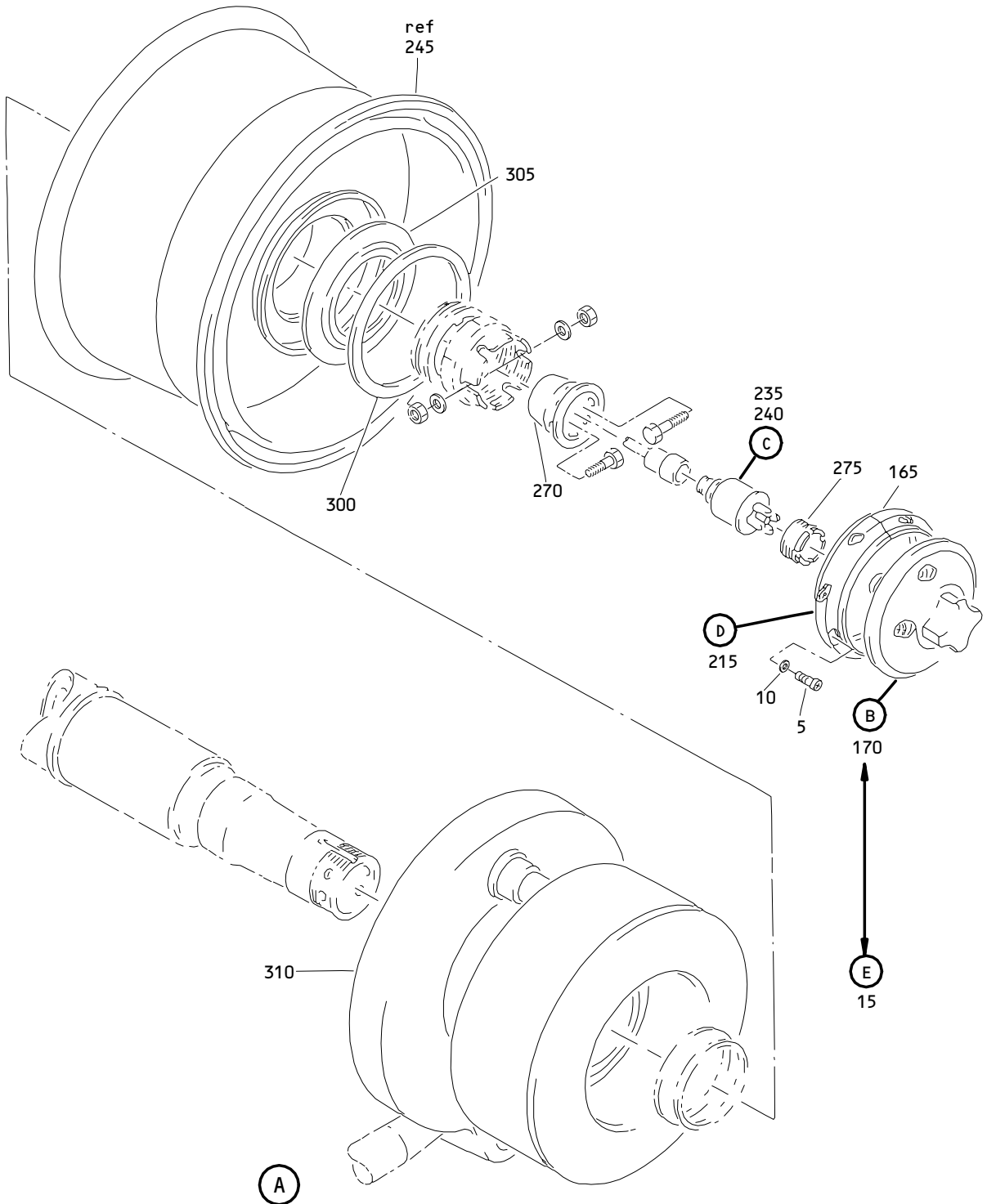
ILLUSTRATED PARTS LIST  
01.1 Page 1060W  
Nov 01/05



Wheel, Tire and Brake Limited Part Collector  
Figure 8 (Sheet 1)

**32-11-20**

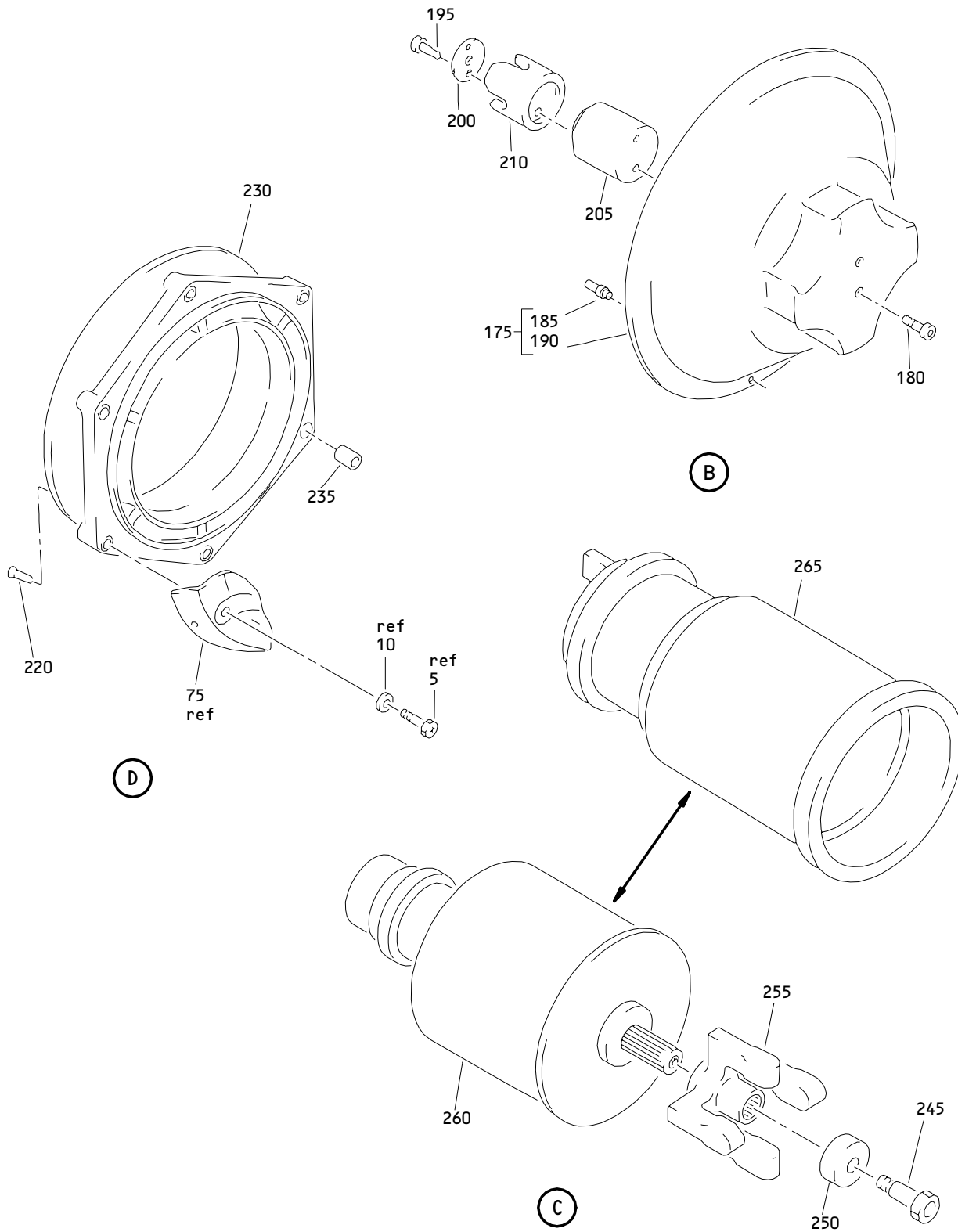
ILLUSTRATED PARTS LIST  
01.1 Page 1060X  
Nov 01/05



Wheel, Tire and Brake Limited Part Collector  
Figure 8 (Sheet 2)

**32-11-20**

ILLUSTRATED PARTS LIST  
01.1 Page 1060Y  
Nov 01/05

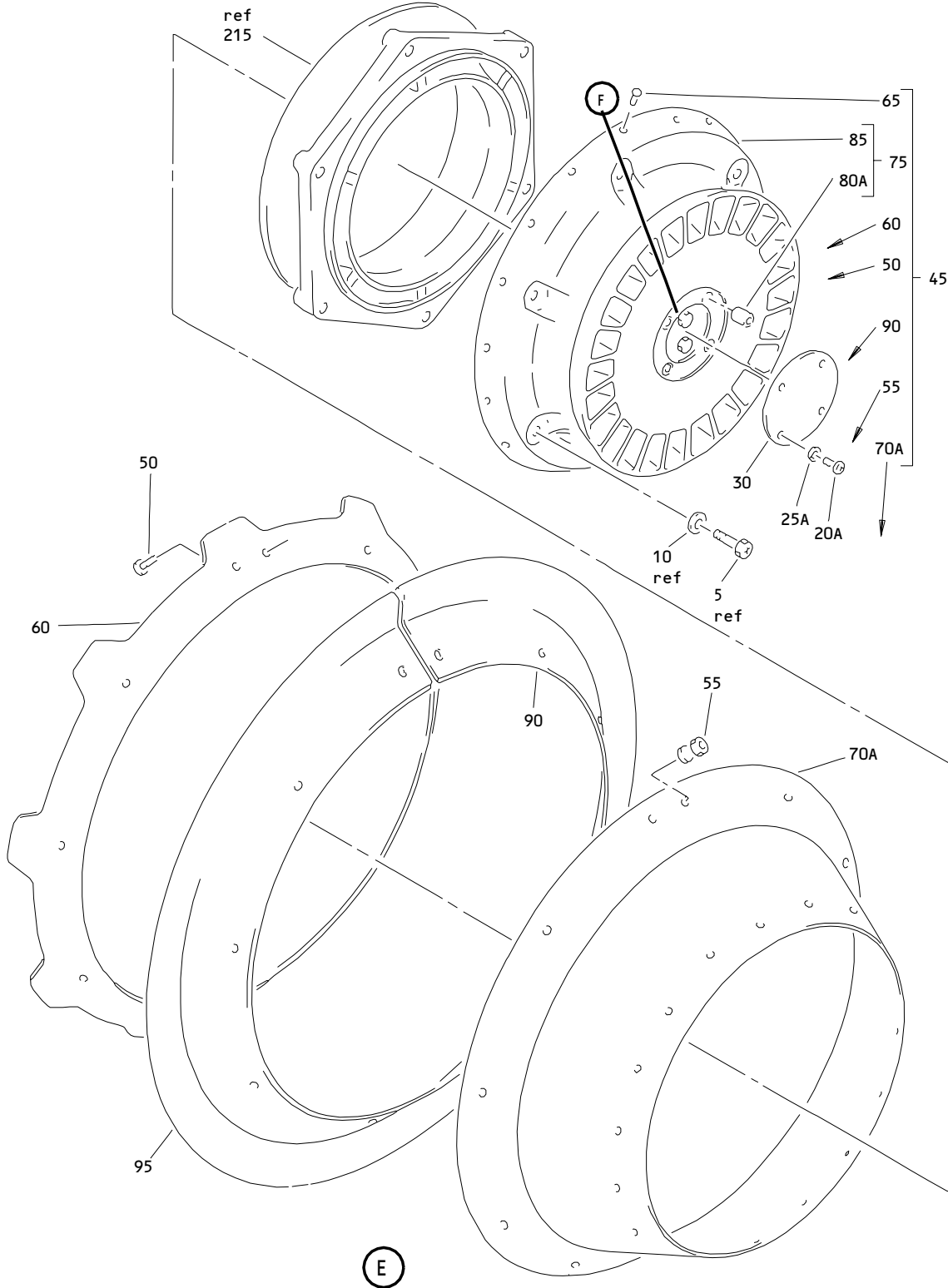


Wheel, Tire and Brake Limited Part Collector  
 Figure 8 (Sheet 3)

**32-11-20**

ILLUSTRATED PARTS LIST  
 01.1 Page 1060Z  
 Nov 01/05

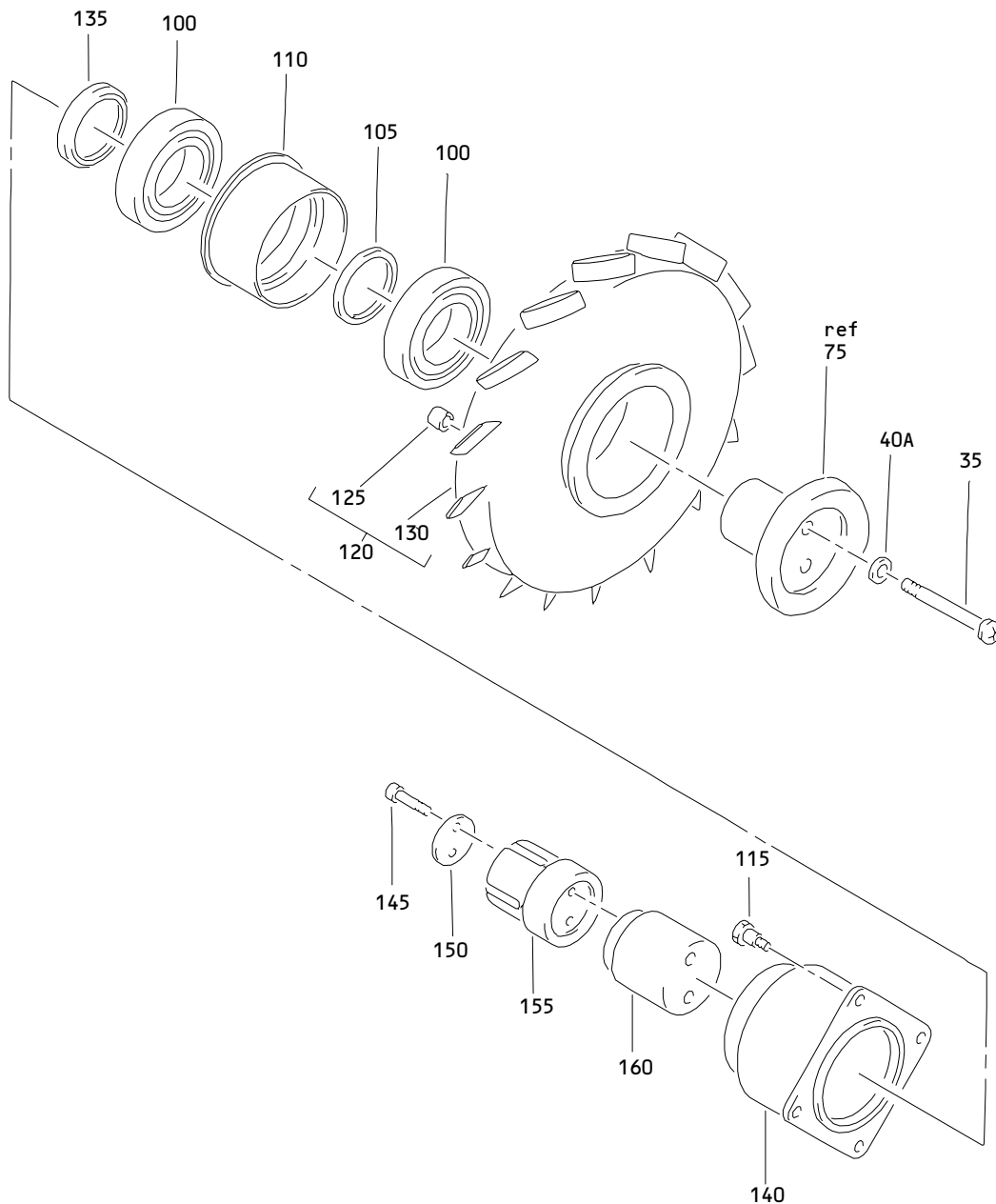




Wheel, Tire and Brake Limited Part Collector  
Figure 8 (Sheet 4)

**32-11-20**

ILLUSTRATED PARTS LIST  
01.1 Page 1061  
Nov 01/05



(F)

Wheel, Tire and Brake Limited Part Collector  
 Figure 8 (Sheet 5)

**32-11-20**

ILLUSTRATED PARTS LIST  
 01.1 Page 1062  
 Nov 01/05

FIG. & ITEM	PART NO.	AIRLINE PART NUMBER	NOMENCLATURE 1234567	EFF CODE	QTY PER ASSY
08- -1	161T1000-5002		COLLECTOR-WHEEL, TIRE AND BRAKE LIMITED PART	D,CD	RF
-1A	161T1000-5006		COLLECTOR-WHEEL, TIRE AND BRAKE LIMITED PART	N,CN	RF
-1B	161T1000-5008		COLLECTOR-WHEEL, TIRE AND BRAKE LIMITED PART	P-CP	RF
-1C	161T1000-5010		COLLECTOR-WHEEL, TIRE AND BRAKE LIMITED PART	CP	RF
-1D	161T1000-5018		COLLECTOR-WHEEL, TIRE AND BRAKE LIMITED PART	K	RF
-1E	161T1000-5020		DELETED		
5	NAS6604H4		.BOLT	P-CP	24
10	AN960PD416		.WASHER	P-CP	24
15	161T1240-5		.FAN AND DRIVE ASSY	P-CP	4
20	NAS623-3-1		DELETED		
20A	BACB30NT3K1		..SCREW	P-CP	4
25	AN960PD10L		DELETED		
25A	AN960JD10LL		..WASHER	P-CP	4
30	69B83395-1		..COVER	P-CP	1
35	NAS6603H25		..BOLT	P-CP	2
40	AN960PD10L		DELETED		
40A	AN960JD10LL		..WASHER	C,CP	2
45	161T1240-6		..SHROUD AND SEAL ASSY	P,CP	1
50	BACB30MY6K3		...BOLT	P,CP	11
55	HL79-6		...COLLAR- (V5M902) (SPEC BACC30M6) (OPT HL79-6 (V73197)) (OPT HL79-6 (V92215)) (OPT 66014-6 (V56878)) (OPT HL79-6 (V56878))	P,CP	11

32-11-20

FIG. & ITEM	PART NO.	AIRLINE PART NUMBER	NOMENCLATURE 1234567	EFF CODE	QTY PER ASSY
08-60	161T1244-2		...SEAL	P,CP	1
65	BACR15BB5AD		...RIVET- (SIZE DETERMINE ON INST)	P,CP	18
70	161T1243-3		DELETED		
70A	161T1243-2		...SKIRT-FAN SHROUD	P,CP	1
75	161T1241-1		...SHROUD ASSY-FAN (OPT ITEM 75A)	P,CP	1
-75A	161T1241-3		...SHROUD ASSY-FAN (OPT ITEM 75)	P,CP	1
80	MS20219F1-15		DELETED		
80A	MS21209F1-15		....INSERT- (USED ON ITEM 75)	C,CP	4
-80B	MS21209F1-10P		....INSERT- (USED ON ITEM 75A)	P,CP	4
85	161T1241-2		....SHROUD- (USED ON ITEM 75)	P,CP	1
-85A	161T1241-4		....SHROUD- (USED ON ITEM 75A)	P,CP	1
90	161T1248-1		...RETAINER-SEAL	P,CP	1
95	161T1248-2		...RETAINER-SEAL	P,CP	1
100	R9106PPA4298		..BEARING- (V21335) (SPEC BACB10BA30PP) (OPT LL106KSG20 (V38443)) (OPT LL106KS (V38443)) (OPT 6006TT (V43991)) (OPT 9106LLT1C1-01 (V21760)) (OPT 9106NPPFS428 (V21335)) (OPT 993L06 (V29337)) (OPT PKTLL106P1 (V78118)) (OPT C106RRPOZZ (V40920)) (OPT C106RRPP1P28LY1 (V40920)) (OPT R9106PPA4298 (V9V013)) (OPT ITEM 100A)	P,CP	2

# 32-11-20

 ILLUSTRATED PARTS LIST  
 01.1 Page 1062B  
 Nov 01/05

 **BOEING**  
COMPONENT  
MAINTENANCE MANUAL

FIG. & ITEM	PART NO.	AIRLINE PART NUMBER	NOMENCLATURE 1234567	EFF CODE	QTY PER ASSY
08- -100A	SK0771-1		..BEARING- (V05341) (OPT ITEM 100)	P,CP	2
105	69B83394-2		..SPACER	P,CP	1
110	69B83396-2		..RETAINER- (LIMITED) (OPT ITEM 110A)	P,CP	1
-110A	69B83396-3		..RETAINER- (OPT ITEM 110)	P,CP	1
115	NAS6603H2		..BOLT	P,CP	4
120	65B84414-4		..FAN ASSY	P,CP	1
125	MS21209F1-15		...INSERT	P,CP	4
130	65B84414-5		...FAN	P,CP	1
135	161T1245-1		..SPACER	P,CP	1
140	75984		..BELLOWS ASSY-DRIVE (V92003) (SPEC 60B80106-1)	P,CP	1
145	NAS1352C08H10		..SCREW	P,CP	2
150	161T1223-1		..WASHER	P,CP	1
155	161T1220-1		..CUP	P,CP	1
160	78529		..COUPLING ASSY- (V92003) (SPEC S161T102-2) (OPT TO ITEM 160A)	P,CP	1
-160A	84490-1		..COUPLING ASSY- (PERF) (V07649) (SPEC S161T102-5) (OPT TO ITEM 160)	P,CP	1

**32-11-20**

ILLUSTRATED PARTS LIST  
01.1 Page 1062C  
Nov 01/05

FIG. & ITEM	PART NO.	AIRLINE PART NUMBER	NOMENCLATURE 1234567	EFF CODE	QTY PER ASSY
08-165	VC1297		.CLAMP- (V14242) (OPT ITEM 165B)	D,K,N ,CD,C J,CN	4
-165A	VC1296-875		.CLAMP- (V14242) (OPT ITEM 165C)	P,CP	4
-165B	NH1005202-10		.CLAMP- (V00624) (OPT ITEM 165)	D,K,N ,CD,C J,CN	4
-165C	NH1005380-10		.CLAMP- (V00624) (OPT ITEM 165A)	P,CP	4
170	161T1000-84		.CAP ASSY-HUB	D,K,N ,CD,C J,CN	4
175	161T1211-10		..CAP ASSY- (OPT ITEM 175A)	D,K,N ,CD,C J,CN	1
-175A	161T1211-13		..CAP ASSY- (OPT ITEM 175)	D,K,N ,CD,C J,CN	1
180	NAS6603H2		ATTACHING PARTS ..BOLT	D,K,N ,CD,C J,CN	2
185	161T1207-1		-----*----- ...PIN-LOCATOR	D,K,N ,CD,C J,CN	1

# 32-11-20

 ILLUSTRATED PARTS LIST  
 01.1 Page 1062D  
 Nov 01/05

 **BOEING**  
COMPONENT  
MAINTENANCE MANUAL

FIG. & ITEM	PART NO.	AIRLINE PART NUMBER	NOMENCLATURE 1234567	EFF CODE	QTY PER ASSY
08-190	161T1211-12		...CAP- (OPT ITEM 190A)	D,K,N ,CD,C J,CN	1
-190A	161T1211-11		...CAP- (OPT ITEM 190)	D,K,N ,CD,C J,CN	1
-190B	161T1211-14		...CAP- (OPT ITEM 190C)	D,K,N ,CD,C J,CN	1
-190C	161T1211-15		...CAP- (OPT ITEM 190B)	D,K,N ,CD,C J,CN	1
195	NAS1352C08H10		..SCREW	D,K,N ,CD,C J,CN	2
200	161T1223-1		..WASHER	D,K,N ,CD,C J,CN	1
205	78529		..COUPLING ASSY- (V92003) (SPEC S161T102-2) (OPT TO ITEM 205A)	D,K,N ,CD,C J,CN	1
-205A	84490-1		..COUPLING ASSY- (PERF) (V07649) (SPEC S161T102-5) (OPT TO ITEM 205)	D,K,N ,CD,C J,CN	1
210	161T1220-1		..CUP- (OPT ITEM 210A)	D,K,N ,CD,C J,CN	1
-210A	161T1220-2		..CUP- (OPT ITEM 210)	D,K,N ,CD,C J,CN	1
215	161T1246-1		.RING ASSY-MTG (OPT ITEM 215A)	P,CP	4
-215A	161T1246-3		.RING ASSY-MTG (OPT ITEM 215)	C,CP	4
220	161T1207-1		..PIN	C,CP	1
225	MS21209F4-15		..INSERT	C,CP	6
230	161T1246-2		..RING- (USED ON ITEM 215)	P,CP	1
-230A	161T1246-4		..RING- (USED ON ITEM 215A)	P,CP	1

**32-11-20**

ILLUSTRATED PARTS LIST  
01.1 Page 1062E  
Nov 01/05

FIG. & ITEM	PART NO.	AIRLINE PART NUMBER	NOMENCLATURE 1234567	EFF CODE	QTY PER ASSY
08-235	161T1000-83		.TRANSDUCER ASSY	D,K,N ,CD,C J,CN	4
240	161T1000-82		.MOTOR ASSY-TRANSDUCER	P,CP	4
245	NAS6603H2		..BOLT	D,K,N ,CD,C J,CN	1
250	161T1222-1		..WASHER	D,K,N ,CD,C J,CN	1
255	161T1221-1		..DOG- (OPT ITEM 255A)	D,K,N ,CD,C J,CN	1
-255A	161T1221-3		..DOG- (OPT ITEM 255)	D,K,N ,CD,C J,CN	1
-255B	161T1221-3		..DOG	P,CP	1
260	140-025-1		..TRANSDUCER- (V81982) (SPEC S283T001-10) (OPT ITEM 260A)	D,K,N ,CD,C J,CN	1
-260A	140-025-2		..TRANSDUCER- (V81982) (SPEC S283T001-15) (OPT ITEM 260)	D,K,N ,CD,C J,CN	1
265	77-395		..MOTOR- (V81982) (SPEC S283T001-7)	P,CP	1
270	161T1206-9		.SUPPORT-ANTISKID TRANSDUCER (OPT ITEM 270A)	D,K,N ,CD,C J,CN	4

# 32-11-20

 ILLUSTRATED PARTS LIST  
 01.1 Page 1062F  
 Nov 01/05



FIG. & ITEM	PART NO.	AIRLINE PART NUMBER	NOMENCLATURE 1234567	EFF CODE	QTY PER ASSY
08- -270A	161T1206-7		.SUPPORT-ANTISKID TRANSDUCER (OPT ITEM 270)	D,K,N ,CD,C J,CN	4
R 275	161T1209-1		.NUT-RTNR	D,K,N ,CD,C J,CN	4
280	161T1000-55		DELETED		
280A	161T1000-74		.WHEEL AND TIRE ASSY	D,CD	4
-280B	161T1000-75		.WHEEL AND TIRE ASSY	P,CP	4
-280C	161T1000-80		.WHEEL AND TIRE ASSY	K,CJ	4
-280D	161T1000-85		.WHEEL AND TIRE ASSY	N,CN	4
285	10-44		..VALVE ASSY-FILL (V91816) (SPEC 60B10055-4) (FOR DETAILS SEE FIG. 80)	D,K,P ,CD,C J,CP	1
-285A	10-57		..VALVE ASSY-FILL (V91816) (SPEC 60B10055-2) (FOR DETAILS SEE FIG. 80)	N,CN	1
290	032-863		DELETED		
290A	032-863-1		DELETED		
290B	032-863		DELETED		
-290C	468K22-1		DELETED		
290D	032-863		DELETED		
-290E	APS01410B		DELETED		
-290F	APS01410B		DELETED		
-290G	APS01410B		DELETED		
-290H	039-807		DELETED		
-290J	APS06005		DELETED		

32-11-20

ILLUSTRATED PARTS LIST  
01.1 Page 1062G  
Nov 01/05

FIG. & ITEM	PART NO.	AIRLINE PART NUMBER	NOMENCLATURE 1234567	EFF CODE	QTY PER ASSY
08- -290K -290L	APS06005 APS06007		DELETED ..TIRE- (VS4233) (SPEC S160T201-3621) (OPT 039-807 (V03481)) (OPT SR23523T (V0940B)) (OPT APS01441 (VS4233)) (OPT 468K22-1 (V73842)) (OPT DR25622T (VK1037)) (OPT 039-807-0 (V0A1K8)) (OPT S0145 (V0587B))	E,S,A J,AK	1
290M -290N -290P 290Q	039-807-0 S0137 S0137 468K62T1		DELETED DELETED DELETED ..TIRE-H46X18-20 (CUSTOMER FURNISHED) (V73842) (SPEC S160T201-3321) (SPEC S160T201-332 (OPT APS01410 (VS4233)) (OPT 468K62-1 (V73842)) (OPT DR23521T (V0940B)) (OPT 032-863 (V03481)) (OPT APS01410B (VS4233)) (OPT 032-863-1 (V03481)) (OPT DR25621T (VK1037)) (OPT APS06005 (VS4233)) (OPT S0137 (V0587B))	K,CJ	1

# 32-11-20

 ILLUSTRATED PARTS LIST  
 01.1 Page 1062H  
 Nov 01/05

 **BOEING**  
COMPONENT  
MAINTENANCE MANUAL

FIG. & ITEM	PART NO.	AIRLINE PART NUMBER	NOMENCLATURE 1234567	EFF CODE	QTY PER ASSY
08- -290R	468K62T1		..TIRE-H46X18-20 (CUSTOMER FURNISHED) (V73842) (SPEC S160T201-3321) (SPEC S160T201-332) (OPT APS01410 (VS4233)) (OPT 468K62-1 (V73842)) (OPT DR23521T (V0940B)) (OPT 032-863 (V03481)) (OPT APS01410B (VS4233)) (OPT 032-863-1 (V03481)) (OPT DR25621T (VK1037)) (OPT APS06005 (VS4233)) (OPT S0137 (V0587B))	P,CP	1
-290S 295	S0145 2608811-3		DELETED ..WHEEL ASSY- (V55284) (SPEC S160T300-22)	K,P,C J,CP	1
-295A -295B	2606741-1 2608811-5		DELETED ..WHEEL ASSY- (VF6137) (SPEC S160T300-23)	D,N,C D,CN	1

**32-11-20**

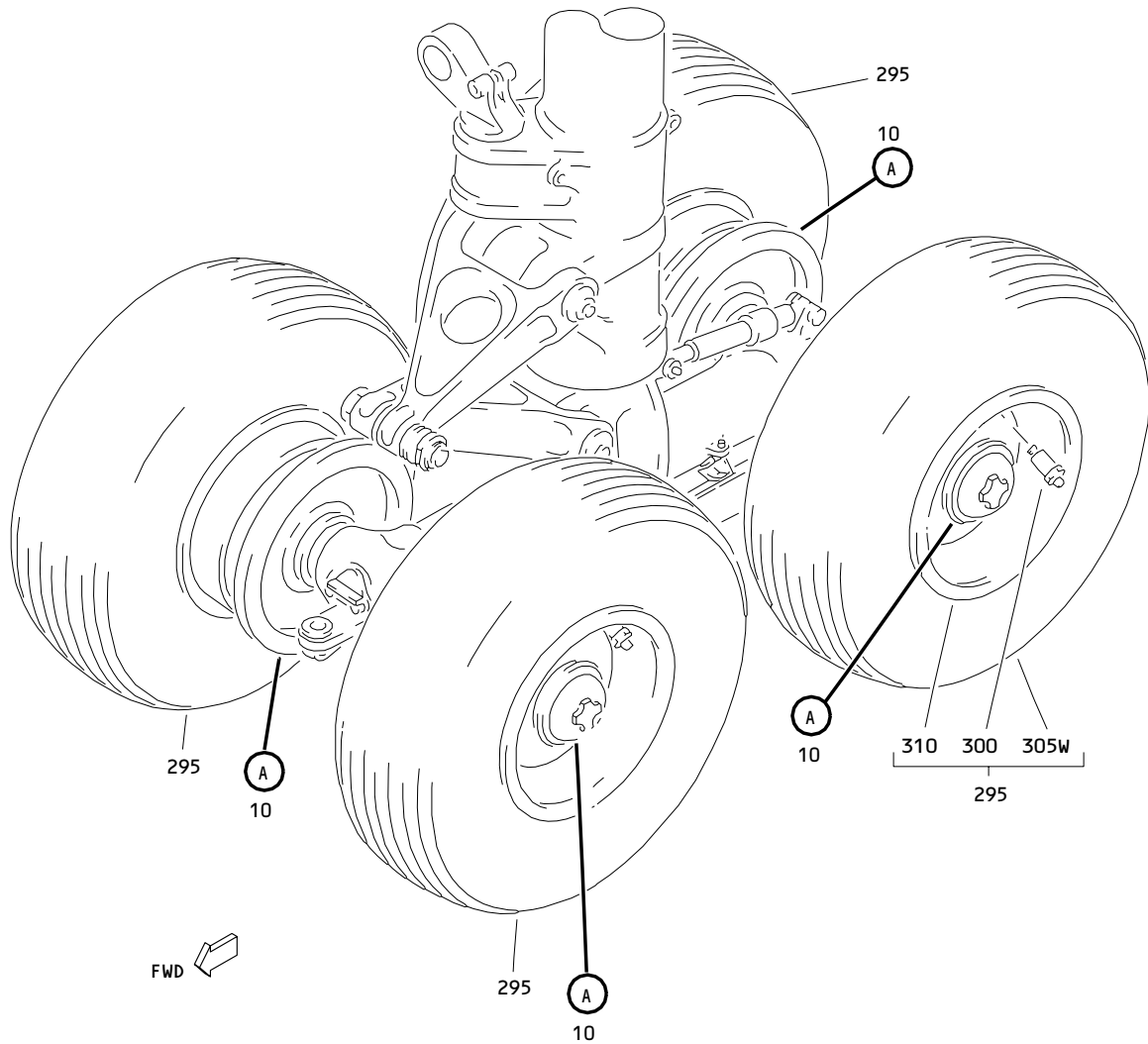
ILLUSTRATED PARTS LIST  
01.1 Page 1062I  
Nov 01/05

FIG. & ITEM	PART NO.	AIRLINE PART NUMBER	NOMENCLATURE 1234567	EFF CODE	QTY PER ASSY
08-300	2606169-14		.RETAINER-SEAL (V55284)	D,K,N ,P,CD ,CJ,C N,CP	4
305	2606950		.SEAL- (V55284) (OPT ITEM 305A)	D,K,N ,P,CD ,CJ,C N,CP	4
-305A	2608765		.SEAL- (V55284) (OPT ITEM 305)	D,K,N ,P,CD ,CJ,C N,CP	4
310	2608812-2		.BRAKE ASSY- (REPLD BY ITEM 310D) (V55284) (SPEC S160T300-11)	CJ	4
-310A	2607092-3		DELETED		
-310B	S160T300-12		DELETED		
-310C	S160T300-12		DELETED		
-310D	2608812-4		.BRAKE- (REPLS ITEM 310) (V55284) (SPEC S160T300-12)	CJ	4
-310E	2608812-4		.BRAKE- (V55284) (SPEC S160T300-12)	D,K,N ,P,CD ,CN,C P	4

- Item Not Illustrated

# 32-11-20

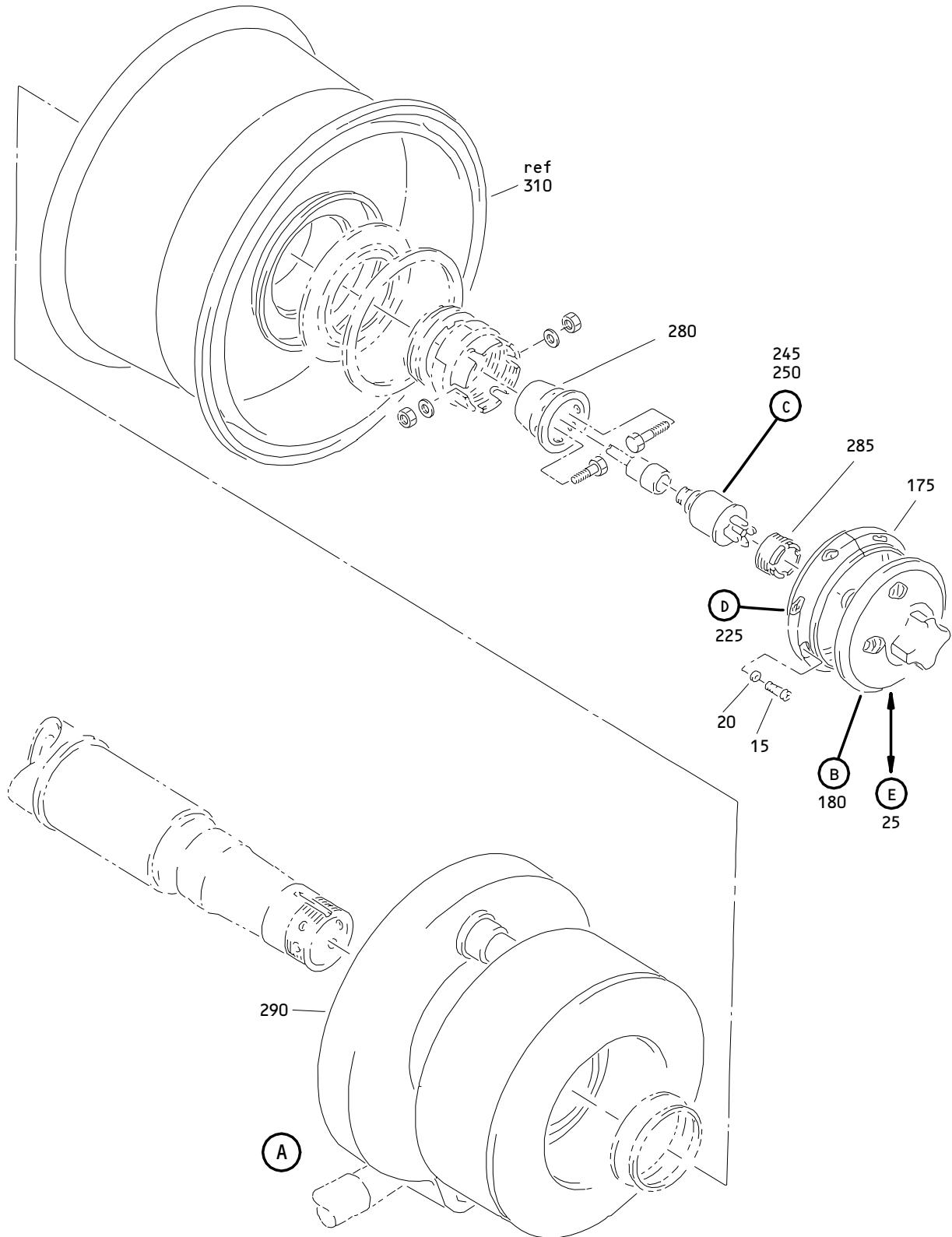
 ILLUSTRATED PARTS LIST  
 01.1 Page 1062J  
 Nov 01/05



Main Landing Gear Wheel Tire and Brake Installation  
Figure 9 (Sheet 1)

**32-11-20**

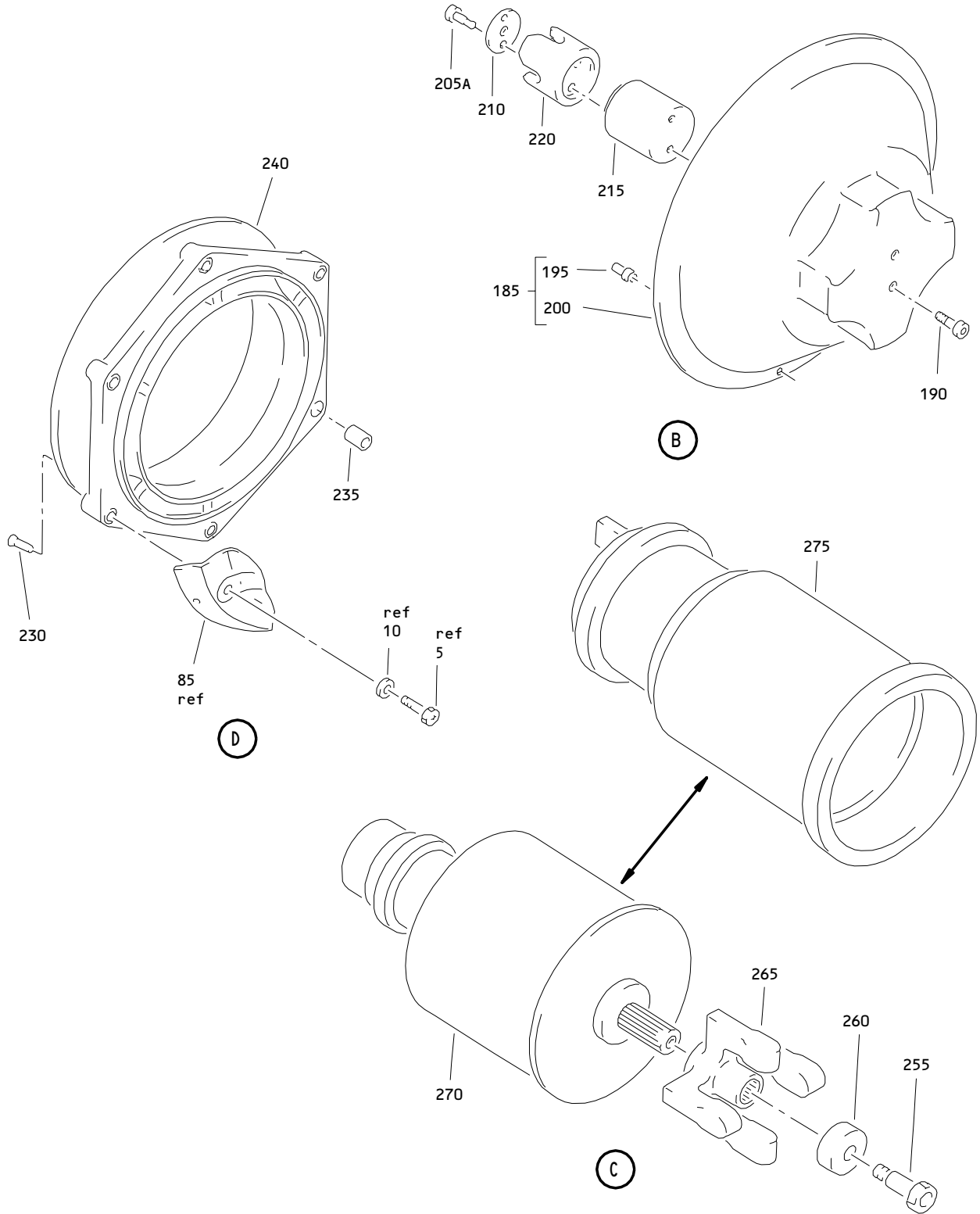
ILLUSTRATED PARTS LIST  
01.1 Page 1062L  
Nov 01/05



Main Landing Gear Wheel Tire and Brake Installation  
Figure 9 (Sheet 2)

**32-11-20**

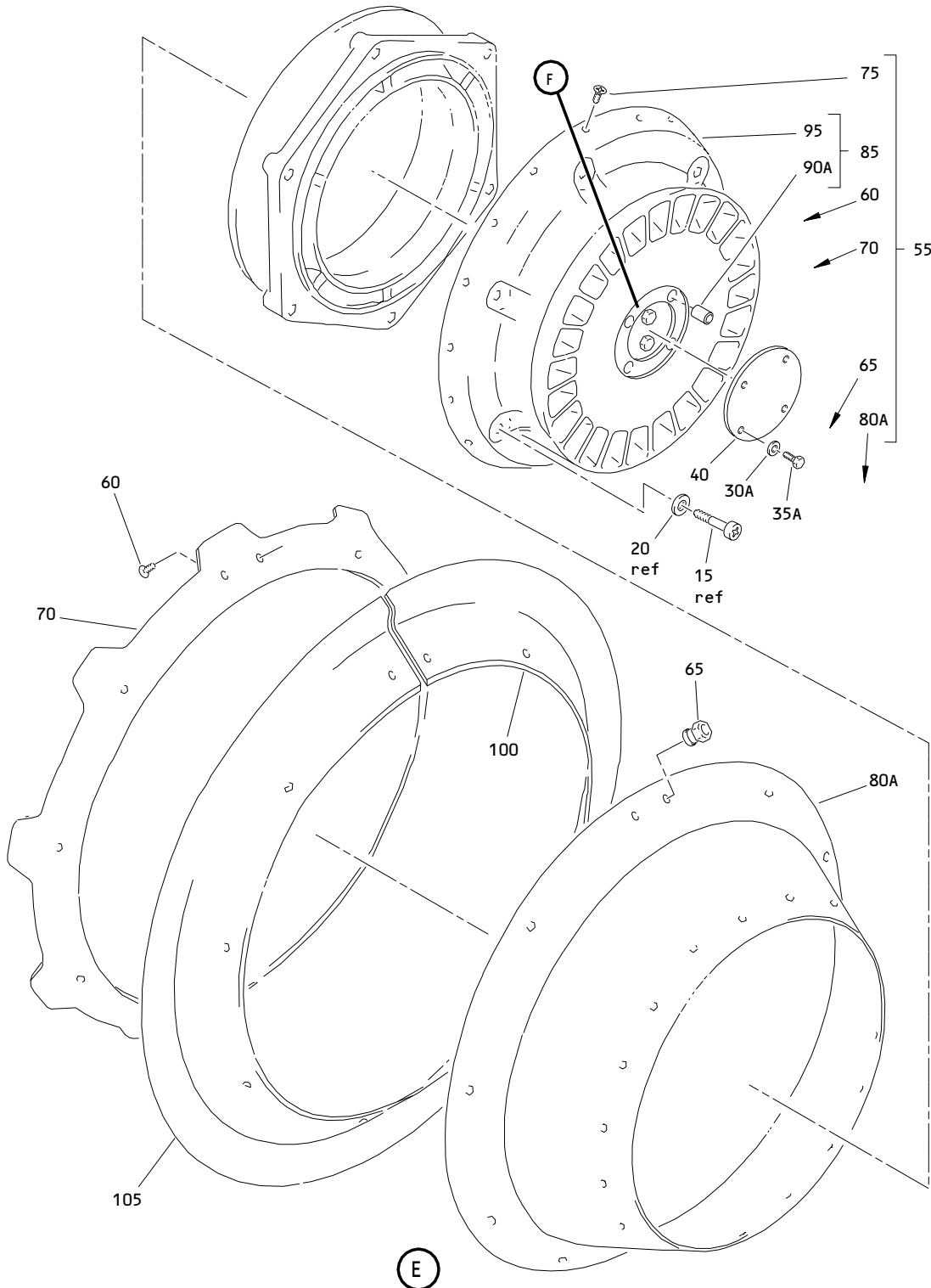
ILLUSTRATED PARTS LIST  
01.1 Page 1062M  
Nov 01/05



Main Landing Gear Wheel Tire and Brake Installation  
 Figure 9 (Sheet 3)

**32-11-20**

ILLUSTRATED PARTS LIST  
 01.1 Page 1062N  
 Nov 01/05

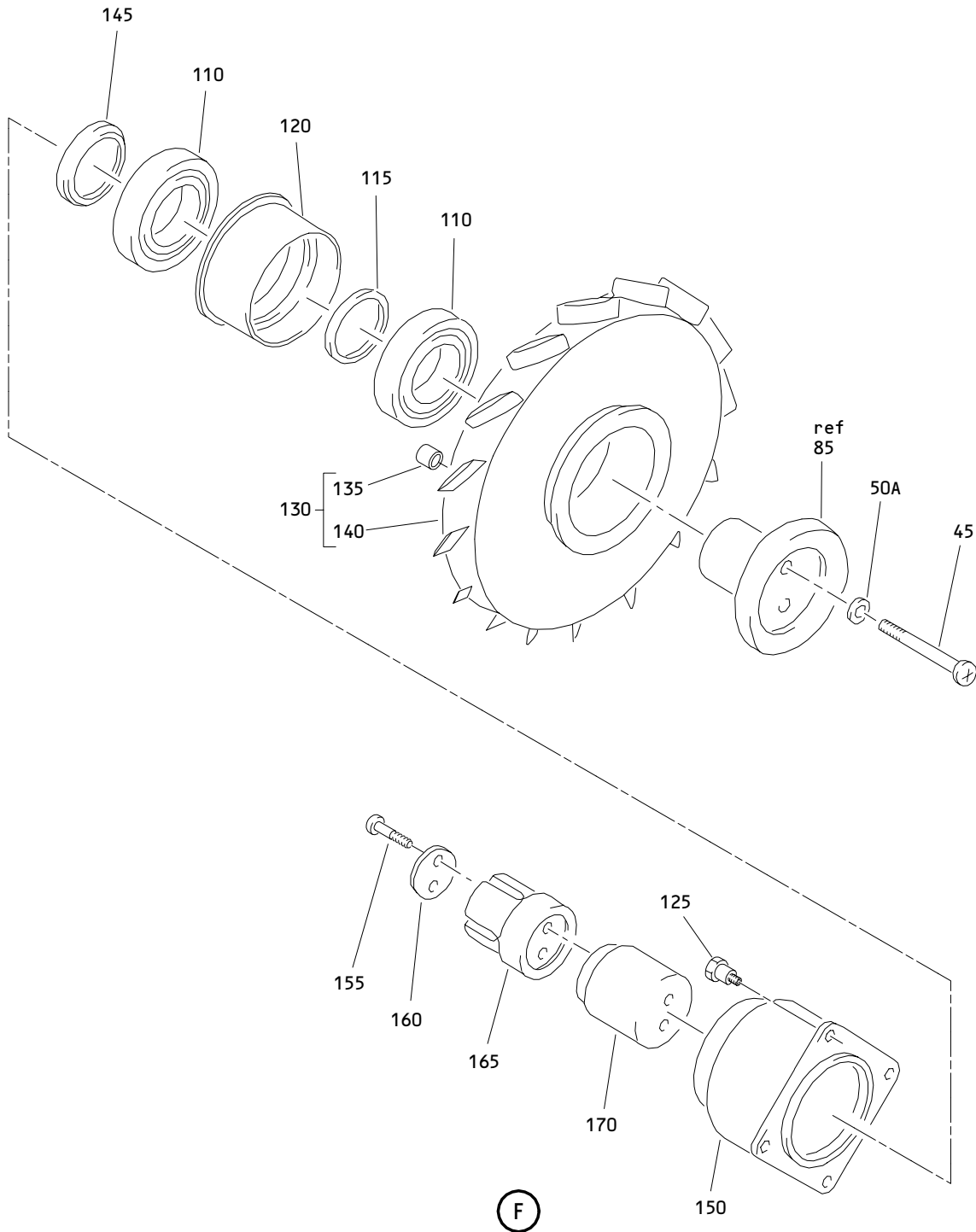


Main Landing Gear Wheel Tire and Brake Installation  
Figure 9 (Sheet 4)

**32-11-20**

ILLUSTRATED PARTS LIST  
01.1 Page 10620  
Nov 01/05





Main Landing Gear Wheel Tire and Brake Installation  
Figure 9 (Sheet 5)

**32-11-20**

ILLUSTRATED PARTS LIST  
01.1 Page 1062P  
Nov 01/05

FIG. & ITEM	PART NO.	AIRLINE PART NUMBER	NOMENCLATURE 1234567	EFF CODE	QTY PER ASSY
09- -1	165T0000-1		TIRE AND BRAKE INSTL- WHEEL MLG	D,G,H ,K, N-BH, BP-BZ ,CD CG-CK ,CP-E F,EM, EQ-EZ HY-JV	RF
-5	165T0000-5007		.BUILD UP ASSY-(LIMITED)	D,G,H ,K, N-BH, BP-BZ ,CD CG-CK ,CP-E F,EM, EQ-EZ HY-JV	4
-5A	165T0000-5008		.BUILD UP ASSY-(LIMITED)	D,G,H ,K, N-BH, BP-BZ ,CD CG-CK ,CP-E F,EM, EQ-EZ HY-JV	4

**32-11-20**

ILLUSTRATED PARTS LIST  
01.1 Page 1062Q  
Nov 01/05

FIG. & ITEM	PART NO.	AIRLINE PART NUMBER	NOMENCLATURE 1234567	EFF CODE	QTY PER ASSY
09- -5B	165T0000-5009		.BUILD UP ASSY-(LIMITED)	D,G,H ,K, N-BH, BP-BZ ,CD CG-CK ,CP-E F,EM, EQ-EZ HY-JV	4
-5C	165T0000-5010		.BUILD UP ASSY-(LIMITED)	D,G,H ,K, N-BH, BP-BZ ,CD CG-CK ,CP-E F,EM, EQ-EZ HY-JV	4
-5D -5E	165T0000-5013 165T0000-5015		DELETED .BUILD UP ASSY-(LIMITED)	D,G,H ,K, N-BH, BP-BZ ,CD CG-CK ,CP-E F,EM, EQ-EZ HY-JV	4

# 32-11-20

 ILLUSTRATED PARTS LIST  
 01.1 Page 1062R  
 Nov 01/05

FIG. & ITEM	PART NO.	AIRLINE PART NUMBER	NOMENCLATURE 1234567	EFF CODE	QTY PER ASSY
09- -5F	165T0000-5017		.BUILD UP ASSY--(LIMITED)	D,G,H ,K, N-BH, BP-BZ ,CD CG-CK ,CP-E F,EM, EQ-EZ HY-JV	4
-5G	165T0000-5019		.BUILD UP ASSY--(LIMITED) (FOR DETAILS SEE FIG. 10)	D,G,H ,K, N-BH, BP-BZ ,CD CG-CK ,CP-E F,EM, EQ-EZ HY-JV	4
-5H	165T0000-5020		.BUILD UP ASSY--(LIMITED)	D,G,H ,K, N-BH, BP-BZ ,CD CG-CK ,CP-E F,EM, EQ-EZ HY-JV	4

**32-11-20**

ILLUSTRATED PARTS LIST  
01.1 Page 1062S  
Nov 01/05

FIG. & ITEM	PART NO.	AIRLINE PART NUMBER	NOMENCLATURE 1234567	EFF CODE	QTY PER ASSY
09- -5J	165T0000-5021		.BUILD UP ASSY-(LIMITED)	D,G,H ,K, N-BH, BP-BZ ,CD CG-CK ,CP-E F,EM, EQ-EZ HY-JV	4
-5K -5L	165T0000-5023 165T0000-5022		DELETED .BUILD UP ASSY-(LIMITED)	D,G,H ,K, N-BH, BP-BZ ,CD CG-CK ,CP-E F,EM, EQ-EZ HY-JV	4
-5M	165T0000-5024		.BUILD UP ASSY-(LIMITED)	C,G,H ,K, N-BH, BP-BZ ,CD CH-CK ,CP-E F,EM, EQ-EZ HY-JV	4

# 32-11-20

 ILLUSTRATED PARTS LIST  
 01.1 Page 1062T  
 Nov 01/05

FIG. & ITEM	PART NO.	AIRLINE PART NUMBER	NOMENCLATURE 1234567	EFF CODE	QTY PER ASSY
09- -5N	165T0000-5025		.BUILD UP ASSY--(LIMITED)	D,G,H ,K, N-BH, BP-BZ ,CD CG-CK ,CP-E F,EM, EQ-EZ HY-JV	4
-5P	165T0000-5026		.BUILD UP ASSY--(LIMITED)	D,G,H ,K, N-BH, BP-BZ ,CD CG-CK ,CP-E F,EM, EQ-EZ HY-JV	4
-5Q	165T0000-5027		.BUILD UP ASSY--(LIMITED)	D,G,H ,K, N-BH, BP-BZ ,CD CG-CK ,CP-E F,EM, EQ-EZ HY-JV	4

**32-11-20**

ILLUSTRATED PARTS LIST  
01.1 Page 1062U  
Nov 01/05

FIG. & ITEM	PART NO.	AIRLINE PART NUMBER	NOMENCLATURE 1234567	EFF CODE	QTY PER ASSY
09- -5R	165T0000-5028		.BUILD UP ASSY-(LIMITED)	D,G,H ,K, N-BH, BP-BZ ,CD CG-CK ,CP-E F,EM, EQ-EZ HY-JV	4
-5S -5T	165T0000-5028 165T0000-5030		DELETED .BUILD UP ASSY-(LIMITED)	D,G,H ,K, N-BH, BP-BZ ,CD CG-CK ,CP-E F,EM, EQ-EZ HY-JV	4
-5U	165T0000-5031		.BUILD UP ASSY-(LIMITED)	D,G,H ,K, N-BH, BP-BZ ,CD CG-CK ,CP-E F,EM, EQ-EZ HY-JV	4
-5V	165T0000-5032		.BUILD UP ASSY-(LIMITED)	D,G,H ,K, N-BH, BP-BZ ,CD CG-CK ,CP-E F,EM, EQ-EZ HY-JV	4

# 32-11-20

 ILLUSTRATED PARTS LIST  
 01.1 Page 1062V  
 Nov 01/05

FIG. & ITEM	PART NO.	AIRLINE PART NUMBER	NOMENCLATURE 1234567	EFF CODE	QTY PER ASSY
09- -5W	165T0000-5033		.BUILD UP ASSY--(LIMITED)	D,G,H ,K, N-BH, BP-BZ ,CD CG-CK ,CP-E F,EM, EQ-EZ HY-JV	4
-5X -5Y	165T0000-5033 165T0000-5034		DELETED .BUILD UP ASSY--(LIMITED)	D,G,H ,K, N-BH, BP-BZ ,CD CG-CK ,CP-E F,EM, EQ-EZ HY-JV	4
-5Z	165T0000-5035		.BUILD UP ASSY--(LIMITED)	D,G,H ,K, N-BH, BP-BZ ,CD CG-CK ,CP-E F,EM, EQ-EZ HY-JV	4

**32-11-20**



FIG. & ITEM	PART NO.	AIRLINE PART NUMBER	NOMENCLATURE 1234567	EFF CODE	QTY PER ASSY
09- -6 -6A	165T0000-5036 165T0000-5037		DELETED .BUILD UP ASSY-(LIMITED)	D,G,H ,K, N-BH, BP-BZ ,CD CG-CK ,CP-E F,EM, EQ-EZ HY-JV	4
-6B	165T0000-5038		.BUILD UP ASSY-(LIMITED)	D,G,H ,K, N-BH, BP-BZ ,CD CG-CK ,CP-E F,EM, EQ-EZ HY-JV	4
-6C	165T0000-5039		.BUILD UP ASSY-(LIMITED)	D,G,H ,K, N-BH, BP-BZ ,CD CG-CK ,CP-E F,EM, EQ-EZ HY-JV	4

# 32-11-20

 ILLUSTRATED PARTS LIST  
 01.1 Page 1062X  
 Nov 01/05

FIG. & ITEM	PART NO.	AIRLINE PART NUMBER	NOMENCLATURE 1234567	EFF CODE	QTY PER ASSY
09- -6D	165T0000-5040		.BUILD UP ASSY--(LIMITED)	D,G,H ,K, N-BH, BP-BZ ,CD CG-CK ,CP-E F,EM, EQ-EZ HY-JV	4
-6E -6F	165T0000-5002 165T0000-5029		DELETED .BUILD UP ASSY--(LIMITED)	D,G,H ,K, N-BH, BP-BZ ,CD CG-CK ,CP-E F,EM, EQ-EZ HY-JV	4
-6G	165T0000-5050		.BUILD UP ASSY--(LIMITED)	D,G,H ,K, N-BH, BP-BZ ,CD CG-CK ,CP-E F,EM, EQ-EZ HY-JV	4

**32-11-20**

FIG. & ITEM	PART NO.	AIRLINE PART NUMBER	NOMENCLATURE 1234567	EFF CODE	QTY PER ASSY
09- -6H	165T0000-5051		.BUILD UP ASSY-(LIMITED)	D,G,H ,K, N-BH, BP-BZ ,CD CG-CK ,CP-E F,EM, EQ-EZ HY-JV	4
-6J	165T0000-5053		.BUILD UP ASSY-(LIMITED) (FOR DETAILS SEE FIG. 10)	D,G,H ,K, N-BH, BP-BZ ,CD CG-CK ,CP-E F,EM, EQ-EZ HY-JV	4
-6K -6L	165T0000-5054 165T0000-5055		DELETED .BUILD UP ASSY-(LIMITED)	D,G,H ,K, N-BH, BP-BZ ,CD CG-CK ,CP-E F,EM, EQ-EZ HY-JV	4

# 32-11-20

 ILLUSTRATED PARTS LIST  
 01.1 Page 1062Z  
 Nov 01/05

FIG. & ITEM	PART NO.	AIRLINE PART NUMBER	NOMENCLATURE 1234567	EFF CODE	QTY PER ASSY
09- -6M	165T0000-5056		.BUILD UP ASSY--(LIMITED)	D,G,H ,K, N-BH, BP-BZ ,CD CG-CK ,CP-E F,EM, EQ-EZ HY-JV	4
-6N -6P	165T0000-5057 165T0000-5058		DELETED .BUILD UP ASSY--(LIMITED)	D,G,H ,K, N-BH, BP-BZ ,CD CG-CK ,CP-E F,EM, EQ-EZ HY-JV	4
-6Q	165T0000-5059		.BUILD UP ASSY--(LIMITED)	D,G,H ,K, N-BH, BP-BZ ,CD CG-CK ,CP-E F,EM, EQ-EZ HY-JV	4

**32-11-20**

FIG. & ITEM	PART NO.	AIRLINE PART NUMBER	NOMENCLATURE 1234567	EFF CODE	QTY PER ASSY
09- -6R	165T0000-5060		.BUILD UP ASSY-(LIMITED)	D,G,H ,K, N-BH, BP-BZ ,CD CG-CK ,CP-E F,EM, EQ-EZ HY-JV	4
-6S	165T0000-5061		.BUILD UP ASSY-(LIMITED)	D,G,H ,K, N-BH, BP-BZ ,CD CG-CK ,CP-E F,EM, EQ-EZ HY-JV	4
-6T	165T0000-5062		.BUILD UP ASSY-(LIMITED)	D,G,H ,K, N-BH, BP-BZ ,CD CG-CK ,CP-E F,EM, EQ-EZ HY-JV	4

# 32-11-20

 ILLUSTRATED PARTS LIST  
 01.1 Page 1064  
 Nov 01/05

FIG. & ITEM	PART NO.	AIRLINE PART NUMBER	NOMENCLATURE 1234567	EFF CODE	QTY PER ASSY
09- -6U -6V	165T0000-5063 165T0000-5064		DELETED .BUILD UP ASSY--(LIMITED)	D,G,H ,K, N-BH, BP-BZ ,CD CG-CK ,CP-E F,EM, EQ-EZ HY-JV	4
-6W	165T0000-5065		.BUILD UP ASSY--(LIMITED)	D,G,H ,K, N-BH, BP-BZ ,CD CG-CK ,CP-E F,EM, EQ-EZ HY-JV	4
-6X	165T0000-5066		.BUILD UP ASSY--(LIMITED)	D,G,H ,K, N-BH, BP-BZ ,CD CG-CK ,CP-E F,EM, EQ-EZ HY-JV	4

**32-11-20**

FIG. & ITEM	PART NO.	AIRLINE PART NUMBER	NOMENCLATURE 1234567	EFF CODE	QTY PER ASSY
09- -6Y	165T0000-5067		.BUILD UP ASSY-(LIMITED)	D,G,H ,K, N-BH, BP-BZ ,CD CG-CK ,CP-E F,EM, EQ-EZ HY-JV	4
-6Z	165T0000-5068		.BUILD UP ASSY-(LIMITED)	D,G,H ,K, N-BH, BP-BZ ,CD CG-CK ,CP-E F,EM, EQ-EZ HY-JV	4
-7 -7A	165T0000-5069 165T0000-5070		DELETED .BUILD UP ASSY-(LIMITED)	D,G,H ,K, N-BH, BP-BZ ,CD CG-CK ,CP-E F,EM, EQ-EZ HY-JV	4

# 32-11-20

 ILLUSTRATED PARTS LIST  
 01.1 Page 1064B  
 Nov 01/05

FIG. & ITEM	PART NO.	AIRLINE PART NUMBER	NOMENCLATURE 1234567	EFF CODE	QTY PER ASSY
09- -7B	165T0000-5072		.BUILD UP ASSY--(LIMITED)	D,G,H ,K, N-BH, BP-BZ ,CD CG-CK ,CP-E F,EM, EQ-EZ HY-JV	4
-7C	165T0000-5080		.BUILD UP ASSY--(LIMITED)	D,G,H ,K, N-BH, BP-BZ ,CD CG-CK ,CP-E F,EM, EQ-EZ HY-JV	4
-7D	165T0000-5081		.BUILD UP ASSY--(LIMITED)	D,G,H ,K, N-BH, BP-BZ ,CD CG-CK ,CP-E F,EM, EQ-EZ HY-JV	4

**32-11-20**

ILLUSTRATED PARTS LIST  
01.1 Page 1064C  
Nov 01/05



FIG. & ITEM	PART NO.	AIRLINE PART NUMBER	NOMENCLATURE 1234567	EFF CODE	QTY PER ASSY
09- -7E	165T0000-5082		.BUILD UP ASSY-(LIMITED)	D,G,H ,K, N-BH, BP-BZ ,CD CG-CK ,CP-E F,EM, EQ-EZ HY-JV	4
-7F	165T0000-5083		.BUILD UP ASSY-(LIMITED)	D,G,H ,K, N-BH, BP-BZ ,CD CG-CK ,CP-E F,EM, EQ-EZ HY-JV	4
-7G	165T0000-5090		.BUILD UP ASSY-(LIMITED) (FOR DETAILS SEE FIG. 10)	D,G,H ,K, N-BH, BP-BZ ,CD CG-CK ,CP-E F,EM, EQ-EZ HY-JV	4

# 32-11-20

 ILLUSTRATED PARTS LIST  
 01.1 Page 1064D  
 Nov 01/05

FIG. & ITEM	PART NO.	AIRLINE PART NUMBER	NOMENCLATURE 1234567	EFF CODE	QTY PER ASSY
09- -7H	165T0000-5091		.BUILD UP ASSY--(LIMITED)	D,G,H ,K, N-BH, BP-BZ ,CD CG-CK ,CP-E F,EM, EQ-EZ HY-JV	4
-7J	165T0000-5092		.BUILD UP ASSY--(LIMITED)	D,G,H ,K, N-BH, BP-BZ ,CD CG-CK ,CP-E F,EM, EQ-EZ HY-JV	4
-7K	165T0000-5093		.BUILD UP ASSY--(LIMITED)	D,G,H ,K, N-BH, BP-BZ ,CD CG-CK ,CP-E F,EM, EQ-EZ HY-JV	4

**32-11-20**

FIG. & ITEM	PART NO.	AIRLINE PART NUMBER	NOMENCLATURE 1234567	EFF CODE	QTY PER ASSY
09- -7L	165T0000-5094		.BUILD UP ASSY-(LIMITED)	D,G,H ,K, N-BH, BP-BZ ,CD CG-CK ,CP-E F,EM, EQ-EZ HY-JV	4
-7M	165T0000-5095		.BUILD UP ASSY-(LIMITED)	D,G,H ,K, N-BH, BP-BZ ,CD CG-CK ,CP-E F,EM, EQ-EZ HY-JV	4
-7N	165T0000-5096		.BUILD UP ASSY-(LIMITED)	D,G,H ,K, N-BH, BP-BZ ,CD CG-CK ,CP-E F,EM, EQ-EZ HY-JV	4

# 32-11-20

 ILLUSTRATED PARTS LIST  
 01.1 Page 1064F  
 Nov 01/05

FIG. & ITEM	PART NO.	AIRLINE PART NUMBER	NOMENCLATURE 1234567	EFF CODE	QTY PER ASSY
09- -7P	165T0000-5097		.BUILD UP ASSY--(LIMITED)	D,G,H ,K, N-BH, BP-BZ ,CD CG-CK ,CP-E F,EM, EQ-EZ HY-JV	4
-7Q	165T0000-5098		.BUILD UP ASSY--(LIMITED)	D,G,H ,K, N-BH, BP-BZ ,CD CG-CK ,CP-E F,EM, EQ-EZ HY-JV	4
-7R	165T0000-5099		.BUILD UP ASSY--(LIMITED)	D,G,H ,K, N-BH, BP-BZ ,CD CG-CK ,CP-E F,EM, EQ-EZ HY-JV	4
-7S	165T0000-5100		.BUILD UP ASSY--(LIMITED)	D,G,H ,K, N-BH, BP-BZ ,CD CG-CK ,CP-E F,EM, EQ-EZ HY-JV	4

**32-11-20**

FIG. & ITEM	PART NO.	AIRLINE PART NUMBER	NOMENCLATURE 1234567	EFF CODE	QTY PER ASSY
09-10	165T0101-4		..BRAKE EQUIPMENT ASSY- (USED ON ITEMS 5, 5B, 5E, 5F, 5H)	D,G,H ,K, N-BH, BP-BZ ,CD CG-CK ,CP-E F,EM, EQ-EZ HY-JV	1
-10A	165T0101-5		..BRAKE EQUIPMENT ASSY- (USED ON ITEMS 5C, 6C)	D,G,H ,K, N-BH, BP-BZ ,CD CG-CK ,CP-E F,EM, EQ-EZ HY-JV	1
-10B	165T0101-1		..BRAKE EQUIPMENT ASSY- (USED ON ITEMS 5A, 5J, 5L)	D,G,H ,K, N-BH, BP-BZ ,CD CG-CK ,CP-E F,EM, EQ-EZ HY-JV	1

# 32-11-20

 ILLUSTRATED PARTS LIST  
 01.1 Page 1064H  
 Nov 01/05

FIG. & ITEM	PART NO.	AIRLINE PART NUMBER	NOMENCLATURE 1234567	EFF CODE	QTY PER ASSY
09- -10C	165T0101-8		..BRAKE EQUIPMENT ASSY- (USED ON ITEMS 5R, 5W, 5Y)	D,G,H ,K, N-BH, BP-BZ ,CD CG-CK ,CP-E F,EM, EQ-EZ HY-JV	1
-10D	165T0101-9		..BRAKE EQUIPMENT ASSY- (USED ON ITEMS 5C, 5Q, 5U, 5V, 5Z, 6A, 6B, 6F, 6V)	D,G,H ,K, N-BH, BP-BZ ,CD CG-CK ,CP-E F,EM, EQ-EZ HY-JV	1
-10E	165T0101-7		..BRAKE EQUIPMENT ASSY- (USED ON ITEMS 5M, 5N, 6G)	D,G,H ,K, N-BH, BP-BZ ,CD CG-CK ,CP-E F,EM, EQ-EZ HY-JV	1

**32-11-20**

ILLUSTRATED PARTS LIST  
01.1 Page 1064I  
Nov 01/05

FIG. & ITEM	PART NO.	AIRLINE PART NUMBER	NOMENCLATURE 1234567	EFF CODE	QTY PER ASSY
09- -10F	165T0101-10		..BRAKE EQUIPMENT ASSY- (USED ON ITEM 6D)	D,G,H ,K, N-BH, BP-BZ ,CD CG-CK ,CP-E F,EM, EQ-EZ HY-JV	1
-10G	165T0101-13		..BRAKE EQUIPMENT ASSY- (USED ON ITEMS 6H, 6P, 6Q, 6R, 6S, 6T)	D,G,H ,K, N-BH, BP-BZ ,CD CG-CK ,CP-E F,EM, EQ-EZ HY-JV	1
-10J	165T0101-15		..BRAKE EQUIPMENT ASSY- (USED ON ITEMS 6L, 6M)	D,G,H ,K, N-BH, BP-BZ ,CD CG-CK ,CP-E F,EM, EQ-EZ HY-JV	1
-10K	165T0101-16		DELETED		
-10L	165T0101-19		DELETED		
-10M	165T0101-20		DELETED		
-10N	165T0101-21		DELETED		
-10P	165T0101-22		DELETED		
-10R	165T0101-24		..BRAKE ASSY- (USED ON ITEMS 5P, 7H, 7J)	D,G,H ,K, N-BH, BP-BZ ,CD CG-CK ,CP-E F,EM, EQ-EZ HY-JV	1

# 32-11-20

 ILLUSTRATED PARTS LIST  
 01.1 Page 1064J  
 Nov 01/05

FIG. & ITEM	PART NO.	AIRLINE PART NUMBER	NOMENCLATURE 1234567	EFF CODE	QTY PER ASSY
09- -10S	165T0101-25		..BRAKE ASSY- (USED ON ITEMS 5T, 6Y, 6X, 7A, 7K, 7L, 7M, 7N, 7P, 7R, 7S)	D,G,H ,K, N-BH, BP-BZ ,CD CG-CK ,CP-E F,EM, EQ-EZ HY-JV	1
-10T	165T0101-18		..BRAKE ASSY- (USED ON ITEM 7B)	D,G,H ,K, N-BH, BP-BZ ,CD CG-CK ,CP-E F,EM, EQ-EZ HY-JV	1
-10U	165T0101-17		..BRAKE ASSY- (USED ON ITEMS 6Z, 7Q)	D,G,H ,K, N-BH, BP-BZ ,CD CG-CK ,CP-E F,EM, EQ-EZ HY-JV	1

**32-11-20**

ILLUSTRATED PARTS LIST  
01.1 Page 1064K  
Nov 01/05



FIG. & ITEM	PART NO.	AIRLINE PART NUMBER	NOMENCLATURE 1234567	EFF CODE	QTY PER ASSY
09-15	NAS6604H4		...BOLT- (USED ON ITEMS 10B, 10C, 10E, 10J, 10R)	D,G,H ,K, N-BH, BP-BZ ,CD CG-CK ,CP-E F,EM, EQ-EZ HY-JV	6
20	AN960PD416		...WASHER- (USED ON ITEMS 10B, 10C, 10E, 10J, 10R)	D,G,H ,K, N-BH, BP-BZ ,CD CG-CK ,CP-E F,EM, EQ-EZ HY-JV	6
25	161T1240-5		...FAN AND DRIVE ASSY- (USED ON ITEMS 10B, 10C, 10E, 10J, 10R)	D,G,H ,K, N-BH, BP-BZ ,CD CG-CK ,CP-E F,EM, EQ-EZ HY-JV	1
-25A	161T1240-8		...FAN AND DRIVE ASSY- (USED ON ITEMS 10E, 10J, 10R)	D,G,H ,K, N-BH, BP-BZ ,CD CG-CK ,CP-E F,EM, EQ-EZ HY-JV	1

# 32-11-20

 ILLUSTRATED PARTS LIST  
 01.1 Page 1064L  
 Nov 01/05

FIG. & ITEM	PART NO.	AIRLINE PART NUMBER	NOMENCLATURE 1234567	EFF CODE	QTY PER ASSY
09-30 30A	NAS623-3-1 BACB30NT3K1		DELETED ....BOLT	D,G,H ,K, N-BH, BP-BZ ,CD CG-CK ,CP-E F,EM, EQ-EZ HY-JV	4
35 35A	AN960PD10L AN960JD10LL		DELETED ....WASHER	D,G,H ,K, N-BH, BP-BZ ,CD CG-CK ,CP-E F,EM, EQ-EZ HY-JV	4
40	69B83395-1		....COVER	D,G,H ,K, N-BH, BP-BZ ,CD CG-CK ,CP-E F,EM, EQ-EZ HY-JV	1
45	NAS6603H25		....BOLT	D,G,H ,K, N-BH, BP-BZ ,CD CG-CK ,CP-E F,EM, EQ-EZ HY-JV	2

**32-11-20**

ILLUSTRATED PARTS LIST  
01.1 Page 1064M  
Nov 01/05

FIG. & ITEM	PART NO.	AIRLINE PART NUMBER	NOMENCLATURE 1234567	EFF CODE	QTY PER ASSY
09- 50 50A	AN960PD10L AN960JD10LL		DELETED ....WASHER	D,G,H ,K, N-BH, BP-BZ ,CD CG-CK ,CP-E F,EM, EQ-EZ HY-JV	2
55	161T1240-6		....SHROUD AND SEAL ASSY	D,G,H ,K, N-BH, BP-BZ ,CD CG-CK ,CP-E F,EM, EQ-EZ HY-JV	1
60	BACB30MY6K3		.....BOLT	D,G,H ,K, N-BH, BP-BZ ,CD CG-CK ,CP-E F,EM, EQ-EZ HY-JV	11

# 32-11-20

 ILLUSTRATED PARTS LIST  
 01.1 Page 1064N  
 Nov 01/05

FIG. & ITEM	PART NO.	AIRLINE PART NUMBER	NOMENCLATURE 1234567	EFF CODE	QTY PER ASSY
09-65	HL79-6		.....COLLAR- (V5M902) (SPEC BACC30M6) (OPT HL79-6 (V73197)) (OPT HL79-6 (V92215)) (OPT 66014-6 (V56878)) (OPT HL79-6 (V56878))	D,G,H ,K, N-BH, BP-BZ ,CD CG-CK ,CP-E F,EM, EQ-EZ HY-JV	11
70	161T1244-2		.....SEAL	D,G,H ,K, N-BH, BP-BZ ,CD CG-CK ,CP-E F,EM, EQ-EZ HY-JV	1
75	BACR15BB5AD		.....RIVET- (SIZE DETERMINE ON INST)	D,G,H ,K, N-BH, BP-BZ ,CD CG-CK ,CP-E F,EM, EQ-EZ HY-JV	18

**32-11-20**

FIG. & ITEM	PART NO.	AIRLINE PART NUMBER	NOMENCLATURE 1234567	EFF CODE	QTY PER ASSY
09- 80 80A	161T1243-3 161T1243-2		DELETED .....SKIRT-FAN SHROUD	D,G,H ,K, N-BH, BP-BZ ,CD CG-CK ,CP-E F,EM, EQ-EZ HY-JV	1
85	161T1241-1		.....SHROUD ASSY-FAN (OPT ITEM 85A)	D,G,H ,K, N-BH, BP-BZ ,CD CG-CK ,CP-E F,EM, EQ-EZ HY-JV	1
-85A	161T1241-3		.....SHROUD ASSY-FAN (OPT ITEM 85)	D,G,H ,K, N-BH, BP-BZ ,CD CG-CK ,CP-E F,EM, EQ-EZ HY-JV	1
90 90A	MS20219F1-15 MS21209F1-15		DELETED .....INSERT- (USED ON ITEM 85)	D,G,H ,K, N-BH, BP-BZ ,CD CG-CK ,CP-E F,EM, EQ-EZ HY-JV	4

# 32-11-20

 ILLUSTRATED PARTS LIST  
 01.1 Page 1064P  
 Nov 01/05

FIG. & ITEM	PART NO.	AIRLINE PART NUMBER	NOMENCLATURE 1234567	EFF CODE	QTY PER ASSY
09- -90B	MS21209F1-10P		.....INSERT- (USED ON ITEM 85A)	D,G,H ,K, N-BH, BP-BZ ,CD CG-CK ,CP-E F,EM, EQ-EZ HY-JV	4
95	161T1241-2		.....SHROUD- (USED ON ITEM 85)	D,G,H ,K, N-BH, BP-BZ ,CD CG-CK ,CP-E F,EM, EQ-EZ HY-JV	1
-95A	161T1241-4		.....SHROUD- (USED ON ITEM 85A)	D,G,H ,K, N-BH, BP-BZ ,CD CG-CK ,CP-E F,EM, EQ-EZ HY-JV	1
100	161T1248-1		.....RETAINER-SEAL	D,G,H ,K, N-BH, BP-BZ ,CD CG-CK ,CP-E F,EM, EQ-EZ HY-JV	1

**32-11-20**

FIG. & ITEM	PART NO.	AIRLINE PART NUMBER	NOMENCLATURE 1234567	EFF CODE	QTY PER ASSY
09-105	161T1248-2		.....RETAINER-SEAL	D,G,H ,K, N-BH, BP-BZ ,CD CG-CK ,CP-E F,EM, EQ-EZ HY-JV	1
110	R9106PPA4298		....BEARING- (V21335) (SPEC BACB10BA30PP) (OPT LL106KSG20 (V38443)) (OPT LL106KS (V38443)) (OPT 6006TT (V43991)) (OPT 9106LLT1C1-01 (V21760)) (OPT 9106NPPFS428 (V21335)) (OPT 993L06 (V29337)) (OPT PKTLL106P1 (V78118)) (OPT C106RRPOZZ (V40920)) (OPT C106RRPP1P28LY1 (V40920)) (OPT R9106PPA4298 (V9V013)) (OPT ITEM 110A)	D,G,H ,K, N-BH, BP-BZ ,CD CG-CK ,CP-E F,EM, EQ-EZ HY-JV	2

# 32-11-20

 ILLUSTRATED PARTS LIST  
 01.1 Page 1064R  
 Nov 01/05

FIG. & ITEM	PART NO.	AIRLINE PART NUMBER	NOMENCLATURE 1234567	EFF CODE	QTY PER ASSY
09- -110A	SK0771-1		....BEARING- (V05341) (OPT ITEM 110)	D,G,H ,K, N-BG, BP-BZ ,CD CG-CK ,CP-E F,EM, EQ-EZ HY-JV	2
-110B	9106NPPFS464		....BEARING- (V21335) (USED ON ITEM 25A)	D,G,H ,K, N-BH, BP-BZ ,CD CG-CK ,CP-E F,EM, EQ-EZ HY-JV	2
115	69B83394-2		....SPACER	D,G,H ,K, N-BH, BP-BZ ,CP CG-CK ,CP-E F,EM, EQ-EZ HY-JV	1

**32-11-20**

ILLUSTRATED PARTS LIST  
01.1 Page 1064S  
Nov 01/05



FIG. & ITEM	PART NO.	AIRLINE PART NUMBER	NOMENCLATURE 1234567	EFF CODE	QTY PER ASSY
09-120	69B83396-2		....RETAINER- (LIMITED) (OPT ITEM 120A)	D,G,H ,K, N-BH, BP-BZ ,CD CG-CK ,CP-E F,EM, EQ-EZ HY-JV	1
-120A	69B83396-3		....RETAINER- (OPT ITEM 120)	D,G,H ,K, N-BH, BP-BZ ,CD CG-CK ,CP-E F,EM, EQ-EZ HY-JV	1
125	NAS6603H2		....BOLT	D,G,H ,K, N-BH, BP-BZ ,CD CG-CK ,CP-E F,EM, EQ-EZ HY-JV	4
130	65B84414-4		....FAN ASSY	D,G,H ,K, N-BH, BP-BZ ,CD CG-CK ,CP-E F,EM, EQ-EZ HY-JV	1

# 32-11-20

 ILLUSTRATED PARTS LIST  
 01.1 Page 1064T  
 Nov 01/05

FIG. & ITEM	PART NO.	AIRLINE PART NUMBER	NOMENCLATURE 1234567	EFF CODE	QTY PER ASSY
09-135	MS21209F1-15		.....INSERT	D,G,H ,K, N-BH, BP-BZ ,CD CG-CK ,CP-E F,EM, EQ-EZ HY-JV	4
140	65B84414-5		.....FAN	D,G,H ,K, N-BH, BP-BZ ,CD CG-CK ,CP-E F,EM, EQ-EZ HY-JV	1
145	161T1245-1		....SPACER	D,G,H ,K, N-BH, BP-BZ ,CD CG-CK ,CP-E F,EM, EQ-EZ HY-JV	1
150	75984		....BELLOWS ASSY-DRIVE (V92003) (SPEC 60B80106-1)	D,G,H ,K, N-BH, BP-BZ ,CD CG-CK ,CP-E F,EM, EQ-EZ HY-JV	1

**32-11-20**

FIG. & ITEM	PART NO.	AIRLINE PART NUMBER	NOMENCLATURE 1234567	EFF CODE	QTY PER ASSY
09-155	NAS1352C08H10		....SCREW	D,G,H ,K, N-BH, BP-BZ ,CD CG-CK ,CP-E F,EM, EQ-EZ HY-JV	2
160	161T1223-1		....WASHER	D,G,H ,K, N-BH, BP-BZ ,CD CG-CK ,CP-E F,EM, EQ-EZ HY-JV	1
165	161T1220-1		....CUP	D,G,H ,K, N-BH, BP-BZ ,CD CG-CK ,CP-E F,EM, EQ-EZ HY-JV	1

# 32-11-20

 ILLUSTRATED PARTS LIST  
 01.1 Page 1064V  
 Nov 01/05

FIG. & ITEM	PART NO.	AIRLINE PART NUMBER	NOMENCLATURE 1234567	EFF CODE	QTY PER ASSY
09-170	78529		....COUPLING ASSY- (V92003) (SPEC S161T102-2) (OPT ITEM 170A)	D,G,H ,K, N-BH, BP-BZ ,CD CG-CK ,CP-E F,EM, EQ-EZ HY-JV	1
-170A	84490-1		....COUPLING ASSY- (PERF) (V07649) (SPEC S161T102-5) (OPT ITEM 170)	D,G,H ,K, N-BH, BP-BZ ,CD CG-CK ,CP-E F,EM, EQ-EZ HY-JV	1
175	VC1297		...CLAMP- (V14242) (OPT ITEM 175B) (USED ON ITEM 10)	D,G,H ,K, N-BH, BP-BZ ,CD CG-CK ,CP-E F,EM, EQ-EZ HY-JV	1

**32-11-20**

ILLUSTRATED PARTS LIST  
01.1 Page 1064W  
Nov 01/05

FIG. & ITEM	PART NO.	AIRLINE PART NUMBER	NOMENCLATURE 1234567	EFF CODE	QTY PER ASSY
09- -175A	VC1296-875		...CLAMP- (V14242) (OPT ITEM 175C) (USED ON ITEM 10B)	D,G,H ,K, N-BH, BP-BZ ,CD CG-CK ,CP-E F,EM, EQ-EZ HY-JV	1
-175B	NH1005202-10		...CLAMP- (V00624) (OPT ITEM 175) (USED ON ITEM 10)	D,G,H ,K, N-BH, BP-BZ ,CD CG-CK ,CP-E F,EM, EQ-EZ HY-JV	1
-175C	NH1005380-10		...CLAMP- (V00624) (OPT ITEM 175A) (USED ON ITEM 10B)	D,G,H ,K, N-BH, BP-BZ ,CD CG-CK ,CP-E F,EM, EQ-EZ HY-JV	1
-175D	VC1297-875		DELETED		

# 32-11-20

 ILLUSTRATED PARTS LIST  
 01.1 Page 1064X  
 Nov 01/05

FIG. & ITEM	PART NO.	AIRLINE PART NUMBER	NOMENCLATURE 1234567	EFF CODE	QTY PER ASSY
09- -175E	VC1297		...CLAMP- (V14242) (OPT ITEMS 175F AND 175G) (USED ON ITEMS 10A, 10D, 10F)	D,G,H ,K, N-BH, BP-BZ ,CD CG-CK ,CP-E F,EM, EQ-EZ HY-JV	1
-175F	NH1005202-10		...CLAMP- (V00624) (OPT ITEMS 175E AND 175G) (USED ON ITEMS 10A, 10D, 10F)	D,G,H ,K, N-BH, BP-BZ ,CD CG-CK ,CP-E F,EM, EQ-EZ HY-JV	1
-175G	NE103305-0875		...CLAMP- (V00624) (OPT ITEMS 175E AND 175F) (USED ON ITEMS 10A, 10D, 10F)	D,G,H ,K, N-BH, BP-BZ ,CD CG-CK ,CP-E F,EM, EQ-EZ HY-JV	1

**32-11-20**

ILLUSTRATED PARTS LIST  
01.1 Page 1064Y  
Nov 01/05

FIG. & ITEM	PART NO.	AIRLINE PART NUMBER	NOMENCLATURE 1234567	EFF CODE	QTY PER ASSY
09- -175J	VC1296-875		...CLAMP- (V14242) (OPT ITEMS 175K AND 175L) (USED ON ITEMS 10C, 10E)	D,G,H ,K, N-BH, BP-BZ ,CD CG-CK ,CP-E F,EM, EQ-EZ HY-JV	1
-175K	NH1005380-10		...CLAMP- (V00624) (OPT ITEMS 175J AND 175L) (USED ON ITEMS 10C, 10E)	D,G,H ,K, N-BH, BP-BZ ,CD CG-CK ,CP-E F,EM, EQ-EZ HY-JV	1
-175L	NE103306-0875		...CLAMP- (V00624) (OPT ITEMS 175J AND 175K) (USED ON ITEMS 10C, 10E)	D,G,H ,K, N-BH, BP-BZ ,CD CG-CK ,CP-E F,EM, EQ-EZ HY-JV	1

# 32-11-20

 ILLUSTRATED PARTS LIST  
 01.1 Page 1064Z  
 Nov 01/05

FIG. & ITEM	PART NO.	AIRLINE PART NUMBER	NOMENCLATURE 1234567	EFF CODE	QTY PER ASSY
09- -175M	NE103305-0875		...CLAMP- (V00624) (OPT ITEMS 175N, 175T) (USED ON ITEMS 10J, 10R)	D,G,H ,K, N-BH, BP-BZ ,CD CG-CK ,CP-E F,EM, EQ-EZ HY-JV	1
-175N	VC1297		...CLAMP- (V14242) (OPT ITEMS 175M, 175T) (USED ON ITEMS 10J, 10R)	D,G,H ,K, N-BH, BP-BZ ,CD CG-CK ,CP-E F,EM, EQ-EZ HY-JV	1
-175P	VC1297		...CLAMP- (V14242) (OPT ITEMS 175Q, 175R, 175S) (USED ON ITEMS 10T, 10U)	D,G,H ,K, N-BH, BP-BZ ,CD CG-CK ,CP-E F,EM, EQ-EZ HY-JV	1

**32-11-20**



FIG. & ITEM	PART NO.	AIRLINE PART NUMBER	NOMENCLATURE 1234567	EFF CODE	QTY PER ASSY
09- -175Q	NH1005202-10		...CLAMP- (V00624) (OPT ITEMS 175P, 175R, 175S) (USED ON ITEMS 10T, 10U)	D,G,H ,K, N-BH, BP-BZ ,CD CG-CK ,CP-E F,EM, EQ-EZ HY-JV	1
-175R	NE103305-0875		...CLAMP- (V00624) (OPT ITEMS 175P, 175Q 175S) (USED ON ITEMS 10T, 10U)	D,G,H ,K, N-BH, BP-BZ ,CD CG-CK ,CP-E F,EM, EQ-EZ HY-JV	1
-175S	BACC10KG875NA		...CLAMP- (V8W928) (OPT ITEMS 175P, 175Q 175R) (USED ON ITEMS 10T, 10U)	D,G,H ,K, N-BH, BP-BZ ,CD CG-CK ,CP-E F,EM, EQ-EZ HY-JV	1

# 32-11-20

 ILLUSTRATED PARTS LIST  
 01.1 Page 1066  
 Nov 01/05

FIG. & ITEM	PART NO.	AIRLINE PART NUMBER	NOMENCLATURE 1234567	EFF CODE	QTY PER ASSY
09- -175T	BACC10KG875NA		...CLAMP- (V8W928) (OPT ITEMS 175M, 175N) (USED ON ITEMS 10J, 10R)	D,G,H ,K, N-BH, BP-BZ ,CD CG-CK ,CP-E F,EM, EQ-EZ HY-JV	1
-175U	BACC10KG875NA		...CLAMP- (V8W928) (USED ON ITEM 10S)	D,G,H ,K, N-BH, BP-BZ ,CD CG-CK ,CP-E F,EM, EQ-EZ HY-JV	1
180	165T0101-103		...HUBCAP ASSY- (OPT ITEM 180A) (USED ON ITEMS 10, 10A, 10D, 10F)	D,G,H ,K, N-BH, BP-BZ ,CD CG-CK ,CP-E F,EM, EQ-EZ HY-JV	1

**32-11-20**

FIG. & ITEM	PART NO.	AIRLINE PART NUMBER	NOMENCLATURE 1234567	EFF CODE	QTY PER ASSY
09- -180A	161T1000-84		...CAP ASSY- (OPT ITEM 180) (USED ON ITEMS 10, 10A, 10D, 10F)	D,G,H ,K, N-BH, BP-BZ ,CD CG-CK ,CP-E F,EM, EQ-EZ HY-JV	1
-180B	165T0101-104		...HUBCAP ASSY- (USED ON ITEM 10H)	D,G,H ,K, N-BH, BP-BZ ,CD CG-CK ,CP-E F,EM, EQ-EZ HY-JV	1
-180C	165T0101-107		...HUBCAP ASSY- (USED ON ITEMS 10S, 10T, 10U)	D,G,H ,K, N-BH, BP-BZ ,CD CG-CK ,CP-E F,EM, EQ-EZ HY-JV	1
185	161T1211-10		....CAP ASSY- (OPT ITEM 185A) (USED ON ITEM 180)	D,G,H ,K, N-BH, BP-BZ ,CD CG-CK ,CP-E F,EM, EQ-EZ HY-JV	1

# 32-11-20

 ILLUSTRATED PARTS LIST  
 01.1 Page 1066B  
 Nov 01/05

FIG. & ITEM	PART NO.	AIRLINE PART NUMBER	NOMENCLATURE 1234567	EFF CODE	QTY PER ASSY
09- -185A	161T1211-13		....CAP ASSY- (OPT ITEM 185) (USED ON ITEM 180)	D,G,H ,K, N-BH, BP-BZ ,CD CG-CK ,CP-E F,EM, EQ-EZ HY-JV	1
-185B	161T1211-13		....CAP ASSY- (USED ON ITEM 180A)	D,G,H ,K, N-BH, BP-BZ ,CD CG-CK ,CP-E F,EM, EQ-EZ HY-JV	1
190	NAS6603H2		ATTACHING PARTS ....BOLT	D,G,H ,K, N-BH, BP-BZ ,CD CG-CK ,CP-E F,EM, EQ-EZ HY-JV	2
195	161T1207-1		-----*----- .....PIN-LOCATOR	D,G,H ,K, N-BH, BP-BZ ,CD CG-CK ,CP-E F,EM, EQ-EZ HY-JV	1

**32-11-20**

ILLUSTRATED PARTS LIST  
01.1 Page 1066C  
Nov 01/05

FIG. & ITEM	PART NO.	AIRLINE PART NUMBER	NOMENCLATURE 1234567	EFF CODE	QTY PER ASSY
09-200	161T1211-12		.....CAP- (OPT ITEM 200A) (USED ON ITEM 185)	D,G,H ,K, N-BH, BP-BZ ,CD CG-CK ,CP-E F,EM, EQ-EZ HY-JV	1
-200A	161T1211-11		.....CAP- (OPT ITEM 200) (USED ON ITEM 185)	D,G,H ,K, N-BH, BP-BZ ,CD CG-CK ,CP-E F,EM, EQ-EZ HY-JV	1
-200B	161T1211-14		.....CAP- (OPT ITEM 200C) (USED ON ITEMS 185A, 185B)	D,G,H ,K, N-BH, BP-BZ ,CD CG-CK ,CP-E F,EM, EQ-EZ HY-JV	1
-200C	161T1211-15		.....CAP- (OPT ITEM 200B) (USED ON ITEMS 185A, 185B)	D,G,H ,K, N-BH, BP-BZ ,CD CG-CK ,CP-E F,EM, EQ-EZ HY-JV	1

# 32-11-20

 ILLUSTRATED PARTS LIST  
 01.1 Page 1066D  
 Nov 01/05

FIG. & ITEM	PART NO.	AIRLINE PART NUMBER	NOMENCLATURE 1234567	EFF CODE	QTY PER ASSY
09- 205 205A	NAS1352C08H10 NAS1352N08H10		DELETED ....SCREW	D,G,H ,K, N-BH, BP-BZ ,CD CG-CK ,CP-E F,EM, EQ-EZ HY-JV	2
210	161T1223-1		....WASHER	D,G,H ,K, N-BH, BP-BZ ,CD CG-CK ,CP-E F,EM, EQ-EZ HY-JV	1
215	78529		....COUPLING ASSY- (V92003) (SPEC S161T102-2) (OPT TO ITEM 215A)	D,G,H ,K, N-BH, BP-BZ ,CD CG-CK ,CP-E F,EM, EQ-EZ HY-JV	1
-215A	84490-1		....COUPLING ASSY- (PERF) (V07649) (SPEC S161T102-5) (OPT TO ITEM 215)	D,G,H ,K, N-BH, BP-BZ ,CD CG-CK ,CP-E F,EM, EQ-EZ HY-JV	1

**32-11-20**

ILLUSTRATED PARTS LIST  
01.1 Page 1066E  
Nov 01/05

FIG. & ITEM	PART NO.	AIRLINE PART NUMBER	NOMENCLATURE 1234567	EFF CODE	QTY PER ASSY
09-220	161T1220-1		....CUP- (OPT ITEM 220A)	D,G,H ,K, N-BH, BP-BZ ,CD CG-CK ,CP-E F,EM, EQ-EZ HY-JV	1
-220A	161T1220-2		....CUP- (OPT ITEM 220)	D,G,H ,K, N-BH, BP-BZ ,CD CG-CK ,CP-E F,EM, EQ-EZ HY-JV	1
225	161T1246-1		...RING ASSY-MTG (OPT ITEM 225A) (USED ON ITEMS 10B, 10C, 10E)	D,G,H ,K, N-BH, BP-BZ ,CD CG-CK ,CP-E F,EM, EQ-EZ HY-JV	1

# 32-11-20

 ILLUSTRATED PARTS LIST  
 01.1 Page 1066F  
 Nov 01/05

FIG. & ITEM	PART NO.	AIRLINE PART NUMBER	NOMENCLATURE 1234567	EFF CODE	QTY PER ASSY
09- -225A	161T1246-3		...RING ASSY-MTG (OPT ITEM 225) (USED ON ITEMS 10B, 10C, 10E, 10J)	D,G,H ,K, N-BH, BP-BZ ,CD CG-CK ,CP-E F,EM, EQ-EZ HY-JV	1
-225B	161T1246-3		...RING ASSY-MTG (USED ON ITEM 10R)	D,G,H ,K, N-BH, BP-BZ ,CD CG-CL ,CP-E F,EM, EQ-EZ HY-JV	1
230	161T1207-1		....PIN	D,G,H ,K, N-BH, BP-BZ ,CD CG-CK ,CP-E F,EM, EQ-EZ HY-JV	1
235	MS21209F4-15		....INSERT	D,G,H ,K, N-BH, BP-BZ ,CD CG-CK ,CP-E F,EM, EQ-EZ HY-JV	6

**32-11-20**

ILLUSTRATED PARTS LIST  
01.1 Page 1066G  
Nov 01/05



FIG. & ITEM	PART NO.	AIRLINE PART NUMBER	NOMENCLATURE 1234567	EFF CODE	QTY PER ASSY
09-240	161T1246-2		....RING- (USED ON ITEM 225)	D,G,H ,K, N-BH, BP-BZ ,CD CG-CK ,CP-E F,EM, EQ-EZ HY-JV	1
-240A	161T1246-4		....RING- (USED ON ITEM 225A)	D,G,H ,K, N-BH, BP-BZ ,CD CG-CK ,CP-E F,EM, EQ-EZ HY-JV	1
245	165T0101-102		...ANTISKID ASSY- (OPT ITEM 245A) (USED ON ITEMS 10, 10A, 10D, 10F)	D,G,H ,K, N-BH, BP-BZ ,CD CG-CK ,CP-E F,EM, EQ-EZ HY-JV	1
-245A	161T1000-83		...TRANSDUCER ASSY- (OPT ITEM 245) (USED ON ITEMS 10, 10A, 10D, 10F)	D,G,H ,K, N-BH, BP-BZ ,CD CG-CK ,CP-E F,EM, EQ-EZ HY-JV	1

# 32-11-20

 ILLUSTRATED PARTS LIST  
 01.1 Page 1066H  
 Nov 01/05

FIG. & ITEM	PART NO.	AIRLINE PART NUMBER	NOMENCLATURE 1234567	EFF CODE	QTY PER ASSY
09- -245B	165T0101-102		...ANTISKID ASSY- (USED ON ITEMS 10S, 10T, 10U)	D,G,H ,K, N-BH, BP-BZ ,CD CG-CK ,CP-E F,EM, EQ-EZ HY-JV	1
250	165T0101-101		...ANTISKID ASSY- (OPT ITEM 250A) (USED ON ITEMS 10B, 10C, 10E, 10J, 10R)	D,G,H ,K, N-BH, BP-BZ ,CD CG-CK ,CP-E F,EM, EQ-EZ HY-JV	1
-250A	161T1000-82		...MOTOR ASSY- (OPT ITEM 250) (USED ON ITEMS 10B, 10C, 10E, 10R)	D,G,H ,K, N-BH, BP-BZ ,CD CG-CK ,CP-E F,EM, EQ-EZ HY-JV	1
255	NAS6603H2		....BOLT	D,G,H ,K, N-BH, BP-BZ ,CD CG-CK ,CP-E F,EM, EQ-EZ HY-JV	1

32-11-20

ILLUSTRATED PARTS LIST  
01.1 Page 1066I  
Nov 01/05

FIG. & ITEM	PART NO.	AIRLINE PART NUMBER	NOMENCLATURE 1234567	EFF CODE	QTY PER ASSY
09-260	161T1222-1		....WASHER	D,G,H ,K, N-BH, BP-BZ ,CD CG-CK ,CP-E F,EM, EQ-EZ HY-JV	1
265	161T1221-1		....DOG- (OPT ITEM 265A) (USED ON ITEMS 245 245A)	D,G,H ,K, N-BH, BP-BZ ,CD CG-CK ,CP-E F,EM, EQ-EZ HY-JV	1
-265A	161T1221-3		....DOG- (OPT ITEM 265) (USED ON ITEMS 245 245A)	D,G,H ,K, N-BH, BP-BZ ,CD CG-CK ,CP-E F,EM, EQ-EZ HY-JV	1
-265B	161T1221-3		....DOG- (USED ON ITEMS 250 250A)	D,G,H ,K, N-BH, BP-BZ ,CD CG-CK ,CP-E F,EM, EQ-EZ HY-JV	1

# 32-11-20

 ILLUSTRATED PARTS LIST  
 01.1 Page 1066J  
 Nov 01/05

FIG. & ITEM	PART NO.	AIRLINE PART NUMBER	NOMENCLATURE 1234567	EFF CODE	QTY PER ASSY
09-270	140-025-1		....TRANSDUCER- (V81982) (SPEC S283T001-10) (OPT ITEM 270A) (USED ON ITEMS 245 245A)	D,G,H ,K, N-BH, BP-BZ ,CD CG-CK ,CP-E F,EM, EQ-EZ HY-JV	1
-270A	140-025-2		....TRANSDUCER- (V81982) (SPEC S283T001-15) (OPT ITEM 270) (USED ON ITEMS 245 245A)	D,G,H ,K, N-BH, BP-BZ ,CD CG-CK ,CP-E F,EM, EQ-EZ HY-JV	1
275	77-395		....MOTOR- (V81982) (SPEC S283T001-7) (USED ON ITEMS 250 250A)	D,G,H ,K, N-BH, BP-BZ ,CD CG-CK ,CP-E F,EM, EQ-EZ HY-JV	1

**32-11-20**

ILLUSTRATED PARTS LIST  
01.1 Page 1066K  
Nov 01/05

FIG. & ITEM	PART NO.	AIRLINE PART NUMBER	NOMENCLATURE 1234567	EFF CODE	QTY PER ASSY
09-280	161T1206-9		...SUPPORT-ANTISKID TRANSDUCER (OPT ITEM 280A) (USED ON ITEMS 10, 10A, 10D, 10F)	D,G,H ,K, N-BH, BP-BZ ,CD CG-CK ,CP-E F,EM, EQ-EZ HY-JV	1
-280A	161T1206-7		...SUPPORT-ANTISKID TRANSDUCER (OPT ITEM 280) (USED ON ITEMS 10, 10A, 10D, 10F)	D,G,H ,K, N-BH, BP-BZ ,CD CG-CK ,CP-E F,EM, EQ-EZ HY-JV	1
-280B	161T1206-9		...SUPPORT-ANTISKID TRANSDUCER (USED ON ITEMS 10S, 10T, 10U)	D,G,H ,K, N-BH, BP-BZ ,CD CG-CK ,CP-E F,EM, EQ-EZ HY-JV	1
R 285	161T1209-1		...NUT-RTNR (USED ON ITEMS 10, 10A, 10D, 10F, 10S, 10T, 10U)	D,G,H ,K, N-BH, BP-BZ ,CD CG-CK ,CP-E F,EM, EQ-EZ HY-JV	1

# 32-11-20

 ILLUSTRATED PARTS LIST  
 01.1 Page 1066L  
 Nov 01/05

 **BOEING**  
COMPONENT  
MAINTENANCE MANUAL

FIG. & ITEM	PART NO.	AIRLINE PART NUMBER	NOMENCLATURE 1234567	EFF CODE	QTY PER ASSY
09-290	2607092-3		...BRAKE ASSY- (V55284) (SPEC S160T200-14) (USED ON ITEMS 10A, 10T)	D,G,H ,K, N-BH, BP-BZ ,CD CG-CK ,CP-E F,EM, EQ-EZ HY-JV	1
-290A	S160T300-12		DELETED		
-290B	2608812-4		...BRAKE- (V55284) (SPEC S160T300-12) (USED ON ITEMS 10, 10B)	D,G,H ,K, N-BH, BP-BZ ,CD CG-CK ,CP-E F,EM, EQ-EZ HY-JV	1
-290C	2608812-6		...BRAKE ASSY- (V55284) (SPEC S160T300-14) (ONE EACH 161T1219-2 WASHER TOGETHER WITH ONE EACH S160T300-14 CARBON BRAKE IS INTERCHANGEABLE ONE-WAY FORWARD WITH ONE EACH S160T300-18) (S160T300-14,-15,-18 OR -19 T/W 161T1219-1 OR -2 CAN BE REPLACED ONE-WAY FORWARD WITH S160T400-210 BY SHIPSET ONLY PER S/B 767-32-0168) (USED ON ITEMS 10C, 10D, 10E, 10F) (PRE SB 767-32-0143) (PRE SB 767-32-0153) (PRE SB 767-32-0168) (PRE SB 767-32-0183)	D,G,H ,K, N-BH, BP-BZ ,CD CG-CK ,CP-E F,EM, EQ-EZ HY-JV	1

**32-11-20**

FIG. & ITEM	PART NO.	AIRLINE PART NUMBER	NOMENCLATURE 1234567	EFF CODE	QTY PER ASSY
09- -290D	2608812-7		...BRAKE ASSY- (V55284) (SPEC S160T300-15) (S160T300-14,-15,-18, OR -19 T/W 161T1219-1, OR -2 CAN BE REPLACED ONE-WAY FORWARD WITH S160T400-210 BY SHIPSET ONLY PER S/B 767-32-0168) (ONE EACH 161T1219-2 WASHER TOGETHER WITH ONE EACH S160T300-15 CARBON BRAKE IS INTERCHANGEABLE ONE-WAY FORWARD WITH ONE EACH S160T300-19) (USED ON ITEMS 10G, 10J, 10U) (PRE SB 767-32-0143) (PRE SB 767-32-0153) (PRE SB 767-32-0168) (PRE SB 767-32-0183)	D,G,H ,K, N-BH, BP-BZ ,CD CG-CK ,CP-E F,EM, EQ-EZ HY-JV	1
-290E	S160T300-16		...BRAKE ASSY- (POST SB 767-32-0143)	D,G,H ,J, N-BH, BP-BZ ,CD CG-CK ,CP-E F,EM, EQ-EZ HY-JV	1

# 32-11-20

 ILLUSTRATED PARTS LIST  
 01.1 Page 1066N  
 Nov 01/05

 **BOEING**  
COMPONENT  
MAINTENANCE MANUAL

FIG. & ITEM	PART NO.	AIRLINE PART NUMBER	NOMENCLATURE 1234567	EFF CODE	QTY PER ASSY
09- -290F	2608812-9		...BRAKE ASSY- (V55284) (SPEC S160T300-17) (QUANTITY 1, S160T300-15 (2608812-7), BRAKE ASSEMBLY T/W QTY 1, 161T1219-1 OR -2 WASHER I/W QTY 1, S160T300-17 (2608812-9) BRAKE ASSEMBLY) (USED ON ITEMS 10L, 10M, 10N, 10P) (POST SB 767-32-0143)	D,G,H ,K, N-BH, BP-BZ ,CD CG-CK ,CP-E F,EM, EQ-EZ HY-JV	1
-290G	2608812-11		...BRAKE ASSY- (V55284) (SPEC S160T300-19) (S160T300-14,-15,-18, OR -19 T/W 161T1219-1 OR -2 CAN BE REPLACED ONE-WAY FORWARD WITH S160T400-210 BY SHIPSET ONLY PER S/B 767-32-0168) (ONE EACH 161T1219-2 WASHER TOGETHER WITH ONE EACH S160T300-15 CARBON BRAKE IS INTERCHANGEABLE ONE-WAY FORWARD WITH ONE EACH S160T300-19) (1 EACH 161T1219-2, WASHERS T/W 1 EACH S160T300-15, CARBON BRAKE IS I/W 1 EACH S160T300-19 CARBON BRAKE) (USED ON ITEMS 10R, 10S) (POST SB 767-32-0153) (PRE SB 767-32-0168) (PRE SB 767-32-0183)	D,G,H ,K, N-BH, BP-BZ ,CD CG-CK ,CP-E F,EM, EQ-EZ HY-JV	1
-290H	S160T300-18		DELETED		

32-11-20



FIG. & ITEM	PART NO.	AIRLINE PART NUMBER	NOMENCLATURE 1234567	EFF CODE	QTY PER ASSY
09- -290J	2608812-10		...BRAKE ASSY- (V55284) (SPEC S160T300-18) (ONE EACH 161T1219-2 WASHER TOGETHER WITH ONE EACH S160T300-14 CARBON BRAKE IS INTERCHANGEABLE ONE-WAY FORWARD WITH ONE EACH S160T300-18) (S160T300-14,-15,-18, OR -19 T/W 161T1219-1 OR -2 CAN BE REPLACED ONE-WAY FORWARD WITH S160T400-210 BY SHIPSET ONLY PER S/B 767-32-0168) (POST SB 767-32-0143) (PRE SB 767-32-0168) (PRE SB 767-32-0183)	D,G,H ,K, N-BH, BP-BZ ,CD CG-CK ,CP-E F,EM, EQ-EZ HY-JV	1
-290K	2612412-1		...BRAKE ASSY- (V55284) (SPEC S160T400-210) (S160T300-14,-15,-18, OR -19 T/W 161T1219-1 OR -2 CAN BE REPLACED ONE-WAY FORWARD WITH S160T400-210 BY SHIPSET ONLY PER S/B 767-32-0168) (POST SB 767-32-0168)	D,G,H ,K, N-BH, BP-BZ ,CD CG-CK ,CP-E F,EM, EQ-EZ HY-JV	1
-290L -290M	S160T400-510 C20508000		DELETED ...BRAKE ASSY- (VF6137) (SPEC S160T400-510) (POST SB 767-32-0183)	D,G,H ,K, N-BH, BP-BZ ,CD CG-CK ,CP-E F,EM, EQ-EZ HY-JV	1

# 32-11-20

FIG. & ITEM	PART NO.	AIRLINE PART NUMBER	NOMENCLATURE 1234567	EFF CODE	QTY PER ASSY
09-295	165T0100-6		..WHEEL AND TIRE ASSY- (OPT ITEM 295G) (USED ON ITEMS 5, 5L, 5P, 5Q, 5Y, 6D, 6Q)	D,G,H ,K, N-BH, BP-BZ ,CD CG-CK ,CP-E F,EM, EQ-EZ HY-JV	1
-295A	165T0100-7		..WHEEL AND TIRE ASSY- (OPT ITEM 295H) (USED ON ITEMS 5A, 5M, 5R, 6L)	D,G,H ,K, N-BH, BP-BZ ,CD CG-CK ,CP-E F,EM, EQ-EZ HY-JV	1
-295B	165T0100-8		..WHEEL AND TIRE ASSY- (OPT ITEM 295J) (USED ON ITEMS 5B, 5Z, 6, 6F, 6R, 6T)	D,G,H ,K, N-BH, BP-BZ ,CD CG-CK ,CP-E F,EM, EQ-EZ HY-JV	1

**32-11-20**

ILLUSTRATED PARTS LIST  
01.1 Page 1066Q  
Nov 01/05

FIG. & ITEM	PART NO.	AIRLINE PART NUMBER	NOMENCLATURE 1234567	EFF CODE	QTY PER ASSY
09- -295C	165T0100-9		..WHEEL AND TIRE ASSY- (OPT ITEM 295K) (USED ON ITEM 5C, 6P)	D,G,H ,K, N-BH, BP-BZ ,CD CG-CK ,CP-E F,EM, EQ-EZ HY-JV	1
-295D	165T0100-12		DELETED		
-295E	165T0100-14		..WHEEL AND TIRE ASSY- (OPT ITEM 295M) (USED ON ITEMS 5E, 5T)	D,G,H ,K, N-BH, BP-BZ ,CD CG-CK ,CP-E F,EM, EQ-EZ HY-JV	1
-295F	165T0100-15		..WHEEL AND TIRE ASSY- (OPT ITEM 295N) (USED ON ITEMS 5F, 5U, 6H)	D,G,H ,K, N-BH, BP-BZ ,CD CG-CK ,CP-E F,EM, EQ-EZ HY-JV	1

# 32-11-20

 ILLUSTRATED PARTS LIST  
 01.1 Page 1066R  
 Nov 01/05

FIG. & ITEM	PART NO.	AIRLINE PART NUMBER	NOMENCLATURE 1234567	EFF CODE	QTY PER ASSY
09- -295G	161T1000-74		..WHEEL AND TIRE ASSY- (OPT ITEM 295) (USED ON ITEMS 5, 5L, 5P, 5Q, 5Y, 6D)	D,G,H ,K, N-BH, BP-BZ ,CD CG-CK ,CP-E F,EM, EQ-EZ HY-JV	1
-295H	161T1000-75		..WHEEL AND TIRE ASSY- (OPT ITEM 295A) (USED ON ITEMS 5A, 5M, 5R)	D,G,H ,K, N-BH, BP-BZ ,CD CG-CK ,CP-E F,EM, EQ-EZ HY-JV	1
-295J	161T1000-76		..WHEEL AND TIRE ASSY- (OPT ITEM 295B) (USED ON ITEMS 5Z, 6F)	D,G,H ,K, N-BH, BP-BZ ,CD CG-CK ,CP-E F,EM, EQ-EZ HY-JV	1

**32-11-20**

FIG. & ITEM	PART NO.	AIRLINE PART NUMBER	NOMENCLATURE 1234567	EFF CODE	QTY PER ASSY
09- -295K	161T1000-77		..WHEEL AND TIRE ASSY- (OPT ITEM 295C) (USED ON ITEM 5C)	D,G,H ,K, N-BH, BP-BZ ,CD CG-CK ,CP-E F,EM, EQ-EZ HY-JV	1
-295L -295M	161T1000-55 161T1000-80		DELETED ..WHEEL AND TIRE ASSY- (OPT ITEM 295E) (USED ON ITEMS 5E, 5T)	D,G,H ,K, N-BH, BP-BZ ,CD CG-CK ,CP-E F,EM, EQ-EZ HY-JV	1
-295N	161T1000-85		..WHEEL AND TIRE ASSY- (OPT ITEM 295F) (USED ON ITEMS 5F, 5U)	D,G,H ,K, N-BH, BP-BZ ,CD CG-CK ,CP-E F,EM, EQ-EZ HY-JV	1

# 32-11-20

 ILLUSTRATED PARTS LIST  
 01.1 Page 1066T  
 Nov 01/05

FIG. & ITEM	PART NO.	AIRLINE PART NUMBER	NOMENCLATURE 1234567	EFF CODE	QTY PER ASSY
09- -295P	165T0100-16		..WHEEL AND TIRE ASSY- (CUSTOMER FURNISHED) (USED ON ITEMS 5J, 5N, 5W, 6G, 6M)	D,G,H ,K, N-BH, BP-BZ ,CD CG-CK ,CP-E F,EM, EQ-EZ HY-JV	1
-295Q	165T0100-18		..WHEEL AND TIRE ASSY- (CUSTOMER FURNISHED) (USED ON ITEMS 5H, 5V, 6S)	D,G,H ,K, N-BH, BP-BZ ,CD CG-CK ,CP-E F,EM, EQ-EZ HY-JV	1
-295R	165T0100-21		..WHEEL AND TIRE ASSY- (USED ON ITEM 6A)	D,G,H ,K, N-BH, BP-BZ ,CP-E F,EM, EQ-EZ ,CD CG-CK ,CP-E F,EM, EQ-EZ HY-JV	1

**32-11-20**

ILLUSTRATED PARTS LIST  
01.1 Page 1066U  
Nov 01/05

FIG. & ITEM	PART NO.	AIRLINE PART NUMBER	NOMENCLATURE 1234567	EFF CODE	QTY PER ASSY
09- -295S	165T0100-20		..WHEEL AND TIRE ASSY- (USED ON ITEM 6B)	D,G,H ,K, N-BH, BP-BZ ,CD CG-CK ,CP-E F,EM, EQ-EZ HY-JV	1
-296T	165T0100-22		..WHEEL AND TIRE ASSY- (USED ON ITEMS 6C, 7B)	D,G,H ,K, N-BH, BP-BZ ,CD CG-CK ,CP-E F,EM, EQ-EZ HY-JV	1
-296U	165T0100-2		DELETED		
-296V	161T1000-61		DELETED		
-296W	161T1000-25		DELETED		
-296X	165T0100-6		..WHEEL AND TIRE ASSY- (USED ON ITEMS 6Z, 7L)	D,G,H ,K, N-BH, BP-BZ ,CD CG-CK ,CP-E F,EM, EQ-EZ HY-JV	1

# 32-11-20

 ILLUSTRATED PARTS LIST  
 01.1 Page 1066V  
 Nov 01/05

FIG. & ITEM	PART NO.	AIRLINE PART NUMBER	NOMENCLATURE 1234567	EFF CODE	QTY PER ASSY
09- -296Y -296Z	165T0100-7 165T0100-8		DELETED ..WHEEL AND TIRE ASSY- (USED ON ITEM 7M)	D,G,H ,K, N-BH, BP-BZ ,CD CG-CK ,CP-E F,EM, EQ-EZ HY-JV	1
-297A	165T0100-25		..WHEEL AND TIRE ASSY- (USED ON ITEMS 6V, 6W, 7K)	D,G,H ,K, N-BH, BP-BZ ,CD CG-CK ,CP-E F,EM, EQ-EZ HY-JV	1
-297B	165T0100-26		..WHEEL AND TIRE ASSY- (USED ON ITEMS 7C, 7D, 7N)	D,G,H ,K, N-BH, BP-BZ ,CD CG-CK ,CP-E F,EM, EQ-EZ HY-JV	1

**32-11-20**



FIG. & ITEM	PART NO.	AIRLINE PART NUMBER	NOMENCLATURE 1234567	EFF CODE	QTY PER ASSY
09- -297C	165T0100-29		..WHEEL AND TIRE ASSY- (USED ON ITEMS 7E, 7F, 7P)	D,G,H ,K, N-BH, BP-BZ ,CD CG-CK ,CP-E F,EM, EQ-EZ HY-JV	1
-297D	165T0100-28		..WHEEL AND TIRE ASSY- (USED ON ITEM 7A)	D,G,H ,K, N-BH, BP-BZ ,CD CG-CK ,CP-E F,EM, EQ-EZ HY-JV	1
-297E	165T0100-9		..WHEEL AND TIRE ASSY- (USED ON ITEM 6Y)	D,G,H ,K, N-BH, BP-BZ ,CD CG-CK ,CP-E F,EM, EQ-EZ HY-JV	1

# 32-11-20

 ILLUSTRATED PARTS LIST  
 01.1 Page 1066X  
 Nov 01/05

FIG. & ITEM	PART NO.	AIRLINE PART NUMBER	NOMENCLATURE 1234567	EFF CODE	QTY PER ASSY
09- -297F	165T0100-15		..WHEEL AND TIRE ASSY- (USED ON ITEM 6X)	D,G,H ,K, N-BH, BP-BZ ,CD CG-CK ,CP-E F,EM, EQ-EZ HY-JV	1
-297G	165T0100-31		..WHEEL AND TIRE ASSY- (USED ON ITEMS 7J, 7Q, 7R)	D,G,H ,K, N-BH, BP-BZ ,CD CG-CK ,CP-E F,EM, EQ-EZ HY-JV	1
-297H	165T0100-32		..WHEEL AND TIRE ASSY- (USED ON ITEM 7H)	D,G,H ,K, N-BH, BP-BZ ,CD CG-CK ,CP-E F,EM, EQ-EZ HY-JV	1
-297J	165T0100-34		..WHEEL AND TIRE ASSY- (USED ON ITEM 7S)	D,G,H ,K, N-BH, BP-BZ ,CD CG-CK ,CP-E F,EM, EQ-EZ HY-JV	1

**32-11-20**

ILLUSTRATED PARTS LIST  
01.1 Page 1066Y  
Nov 01/05

FIG. & ITEM	PART NO.	AIRLINE PART NUMBER	NOMENCLATURE 1234567	EFF CODE	QTY PER ASSY
09-300	10-44		...VALVE ASSY-FILL (V91816) (SPEC 60B10055-4) (USED ON ITEMS 295, 295A, 295B, 295E, 295G 295H, 295J, 295K, 295M 295P, 295Q, 295T, 296X 296Y, 296Z, 297C, 297G 297H, 297J) (FOR DETAILS SEE FIG. 80)	D,G,H ,K, N-BH, BP-BZ ,CD CG-CK ,CP-E F,EM, EQ-EZ HY-JV	1
-300A	10-57		...VALVE ASSY-FILL (V91816) (SPEC 60B10055-2) (USED ON ITEMS 295F 295N) (FOR DETAILS SEE FIG. 80)	D,G,H ,K, N-BH, BP-BZ ,CD CG-CK ,CP-E F,EM, EQ-EZ HY-JV	1
-300B	10-40		...VALVE ASSY-FILL (V91816) (USED ON ITEMS 295R, 295S)	D,G,H ,K, N-BH, BP-BZ ,CD CG-CK ,CP-E F,EM, EQ-EZ HY-JV	1
-300C	2602101		...VALVE-FILL (V95712) (USED ON ITEMS 297A, 297B)	D,G,H ,K, N-BH, BP-BZ ,CD CG-CK ,CP-E F,EM, EQ-EZ HY-JV	1
305	032-863		DELETED		
-305A	039-859		DELETED		
305B	032-863-1		DELETED		
-305C	032-863		DELETED		

# 32-11-20

 ILLUSTRATED PARTS LIST  
 01.1 Page 1066Z  
 Nov 01/05

 **BOEING**  
COMPONENT  
MAINTENANCE MANUAL

FIG. & ITEM	PART NO.	AIRLINE PART NUMBER	NOMENCLATURE 1234567	EFF CODE	QTY PER ASSY
09-					
-305D	468K22-1		DELETED		
-305E	032-863		DELETED		
-305F	APS01410B		DELETED		
-305G	APS01412A		DELETED		
-305H	APS01410B		DELETED		
-305J	APS01410B		DELETED		
-305K	039-807		DELETED		
-305L	APS06005		DELETED		
-305M	APS06005		DELETED		
-305N	APS06007		...TIRE-H46X18-20 (CUSTOMER FURNISHED) (VS4233) (SPEC S160T201-3621) (OPT 039-807 (V03481)) (OPT SR23523T (V0940B) (OPT APS01441 (VS4233)) (OPT 468K22-1 (V73842)) (OPT DR25622T (VK1037)) (OPT 039-807-0 (VOA1K8)) (OPT S0145 (V0587B)) (USED ON ITEMS 295, 295B, 295F, 295G, 295J, 295N, 295P, 295R, 295S, 295T, 296X, 296Z)	D,G,H ,K, N-BH, BQ-BZ ,CD CG-CK ,CP-E F,E Q-EZ HY-JV	1
-305P	APS01405A		DELETED		
-305Q	APS06000		DELETED		
305R	039-807-0		DELETED		

32-11-20

FIG. & ITEM	PART NO.	AIRLINE PART NUMBER	NOMENCLATURE 1234567	EFF CODE	QTY PER ASSY
09- -305S	APS06010		...TIRE-H46X18X20 (CUSTOMER FURNISHED) (V22337) (SPEC S160T201-3631) (OPT 020-807-0 (VOA1K8)) (OPT 468K29-2 (V73842)) (OPT DR25624T (VK1037)) (OPT 468K29T1 (V73842)) (USED ON ITEM 297C)	D,G,H ,K, N-BH, BP-BZ ,CD CG-CK ,CP-E F,EM, EQ-EZ HY-JV	1
-305T	S0137		DELETED		
-305U	S0138		DELETED		
-305V	DR25624T		DELETED		
-305W	468K29T1		...TIRE-H46X18X20 (CUSTOMER FURNISHED) (V73842) (SPEC S160T201-3631) (OPT 020-807-0 (VOA1K8)) (OPT 468K29-2 (V73842)) (OPT APS06010 (V22337)) (OPT DR25624T (VK1037))	D,G,H ,K, N-BH, BP-BZ ,CD CG-CK ,CP-E F,EM, EQ-EZ HY-JV	1

# 32-11-20

 ILLUSTRATED PARTS LIST  
 01.1 Page 1068  
 Nov 01/05



**BOEING**  
COMPONENT  
MAINTENANCE MANUAL

FIG. & ITEM	PART NO.	AIRLINE PART NUMBER	NOMENCLATURE	EFF CODE	QTY PER ASSY
			1234567		
09-305X	468K62T1		...TIRE-H46X18-20 (CUSTOMER FURNISHED) (V73842) (SPEC S160T201-3321) (SPEC S160T201-332) (OPT APS01410 (VS4233)) (OPT 468K62-1 (V73842)) (OPT DR23521T (V0940B)) (OPT 032-863 (V03481)) (OPT APS01410B (VS4233)) (OPT 032-863-1 (V03481)) (OPT DR25621T (VK1037)) (OPT APS06005 (VS4233)) (OPT S0137 (V0587B))	D,G,H ,K, N-BH, BP-BZ ,CD CG-CK ,CP-E F,EM, EQ-EZ HY-JV	1
-305Y	468K82T1		...TIRE-H46X18-20 (V73842) (SPEC S160T201-3421) (OPT 468K821 (V73842)) (OPT APS01412 (VS4233)) (OPT SR23522T (V0940B)) (OPT 039-859 (V03481)) (OPT DR2560T (VK1037)) (OPT APS01412A (S4233)) (OPT S0138 (V0587B)) (OPT APS06006 (VS4233))	D,G,H ,K, N-BH, BP-BZ ,CD CG-CK ,CP-E F,EM, EQ-EZ HY-JV	1
-305Z	S0145		DELETED		

32-11-20

FIG. & ITEM	PART NO.	AIRLINE PART NUMBER	NOMENCLATURE 1234567	EFF CODE	QTY PER ASSY
09- -306	020-807-0		...TIRE-H46X18X20 (CUSTOMER FURNISHED) (VOA1K8) (SPEC S160T201-3631) (OPT 468K29T1 (V73842)) (OPT 468K29-2 (V73842)) (OPT APS06010 (V22337)) (OPT DR25624T (VK1037))	D,G,H ,K, N-BH, BP-BZ ,CD CG-CK ,CP-E F,EM, EQ-EZ HY-JV	1
-306A	468K29-2		...TIRE-H46X18X20 (CUSTOMER FURNISHED) (V73842) (SPEC S160T201-3631) (OPT 468K29T1 (V73842)) (OPT 020-807-0 (VOA1K8)) (OPT APS06010 (V22337)) (OPT DR25624T (VK1037))	D,G,H ,K, N-BH, BP-BZ ,CD CG-CK ,CP-E F,EM, EQ-EZ HY-JV	1
310	2608811-3		...WHEEL ASSY- (V55284) (SPEC S160T300-22) (USED ON ITEMS 295A, 295B, 295C, 295E, 295H, 295J, 295K, 295M, 296Y, 296Z, 297H) (PRE SB 767-32-0183)	D,G,H ,K, N-BH, BP-BZ ,CD CG-CK ,CP-E F,EM, EQ-EZ HY-JV	1
-310A	2606741-1		...WHEEL ASSY- (V55284) (SPEC S160T200-21) (USED ON ITEMS 295T)	D,G,H ,K, N-BH, BP-BZ ,CD CG-CK ,CP-E F,EM, EQ-EZ HY-JV	1

# 32-11-20

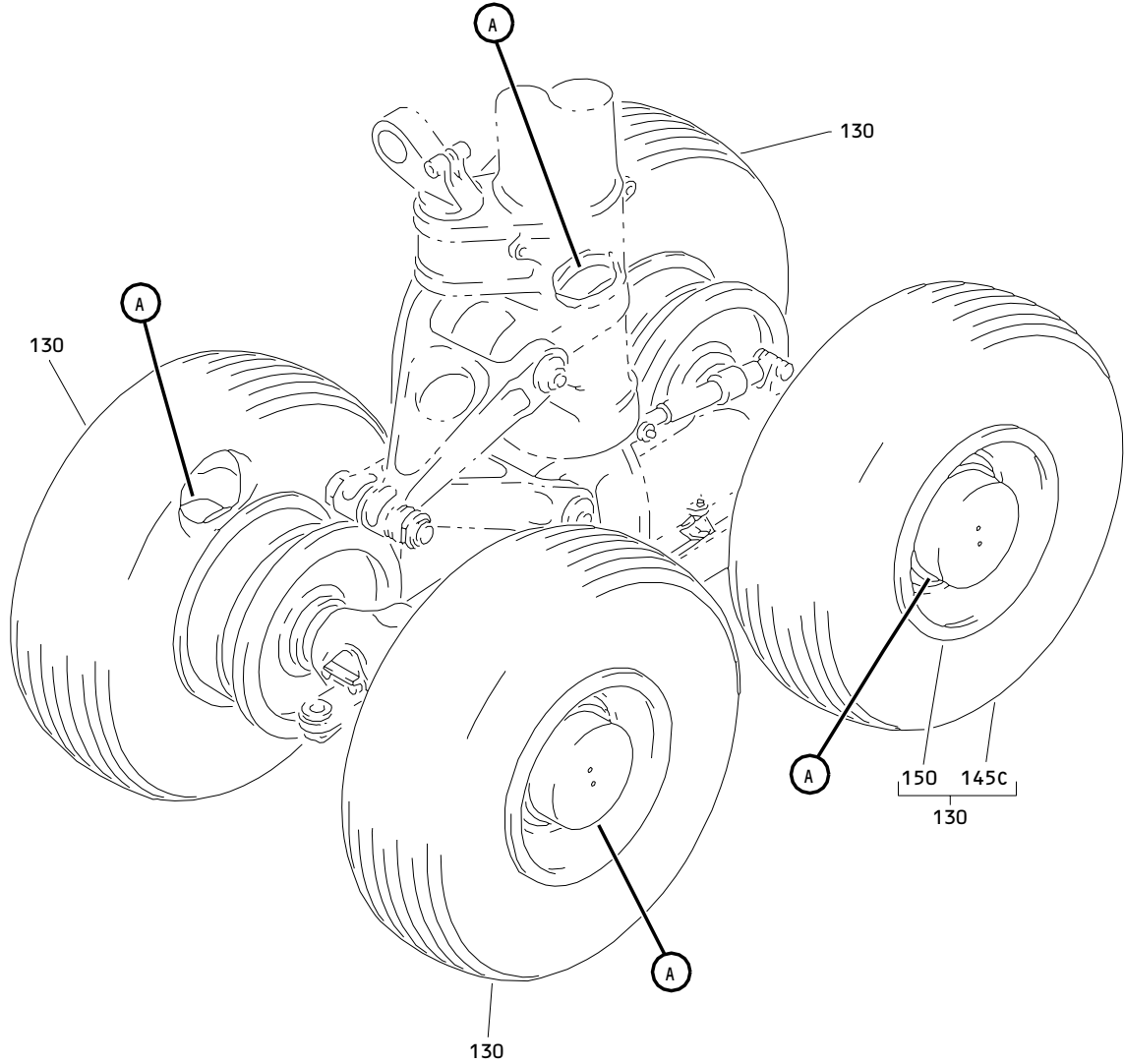
FIG. & ITEM	PART NO.	AIRLINE PART NUMBER	NOMENCLATURE 1234567	EFF CODE	QTY PER ASSY
09- -310B	2608811-5		...WHEEL ASSY- (VF6137) (SPEC S160T300-23) (USED ON ITEMS 295, 295F, 295G, 295N, 295P, 295Q, 295R, 295S, 296X, 297, 297A, 297B, 297C, 297G, 297J) (PRE SB 767-32-0183)	D,G,H ,K, N-BH, BP-BZ ,CD CG-CK ,CP-E F,EM, EQ-EZ HY-JV	1
-310C -310D	S160T400-530 C20509000		DELETED ...WHEEL ASSY- (VF6137) (SPEC S160T400-530) (POST SB 767-32-0183)	D,G,H ,K, N-BH, BP-BZ ,CD CG-CK ,CP-E F,EM, EQ-EZ HY-JV	1
315	QC34191-1		...PLACARD-TIRE CHANGE (VZ0268) (USED ON ITEM 297B)	D,G,H ,K, N-BH, BP-BZ ,CD CG-CK ,CP-E F,EM, EQ-EZ HY-JV	1

- Item Not Illustrated

**32-11-20**

ILLUSTRATED PARTS LIST  
01.1 Page 1068C  
Nov 01/05

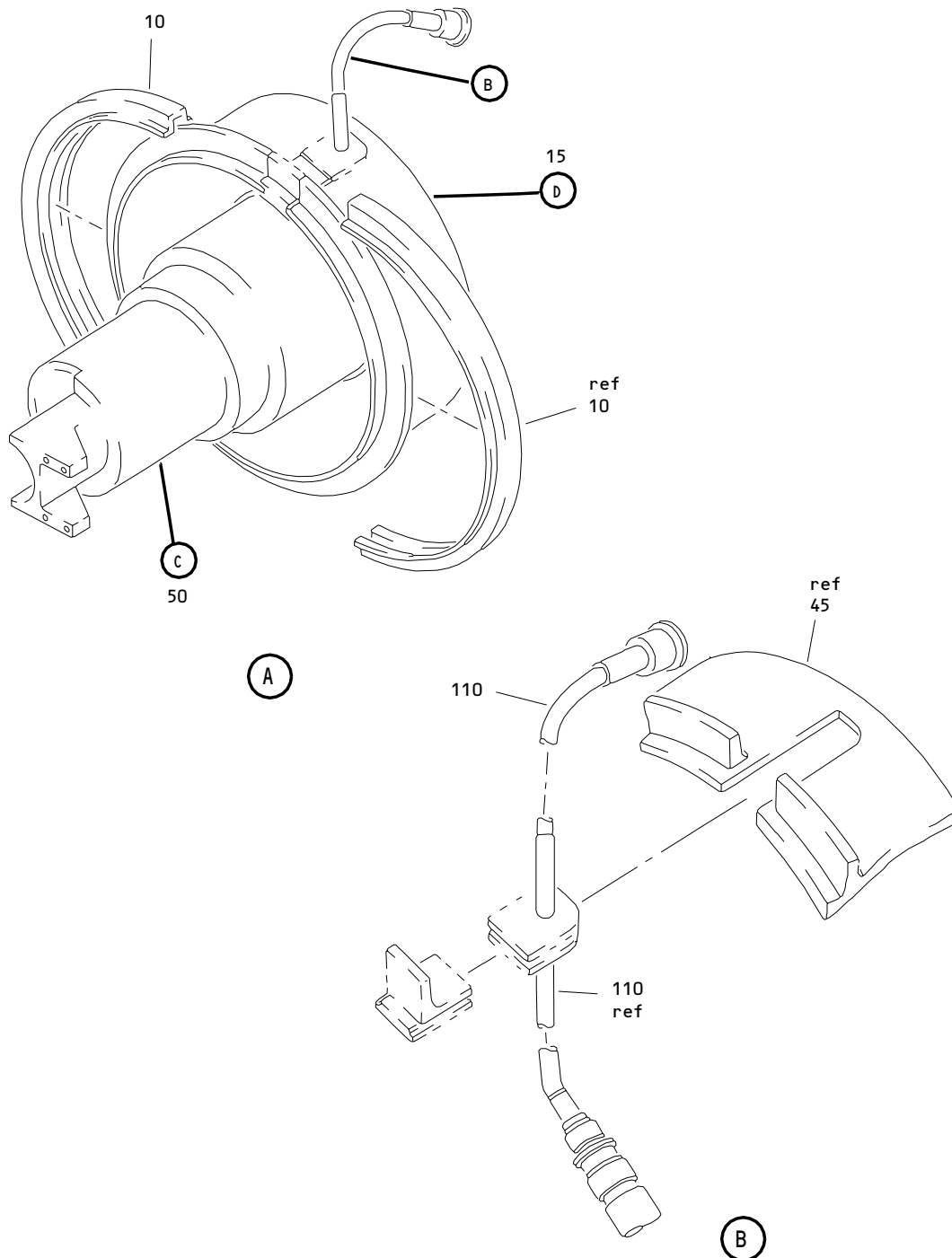




Main Landing Gear Buildup Assembly  
Figure 10 (Sheet 1)

**32-11-20**

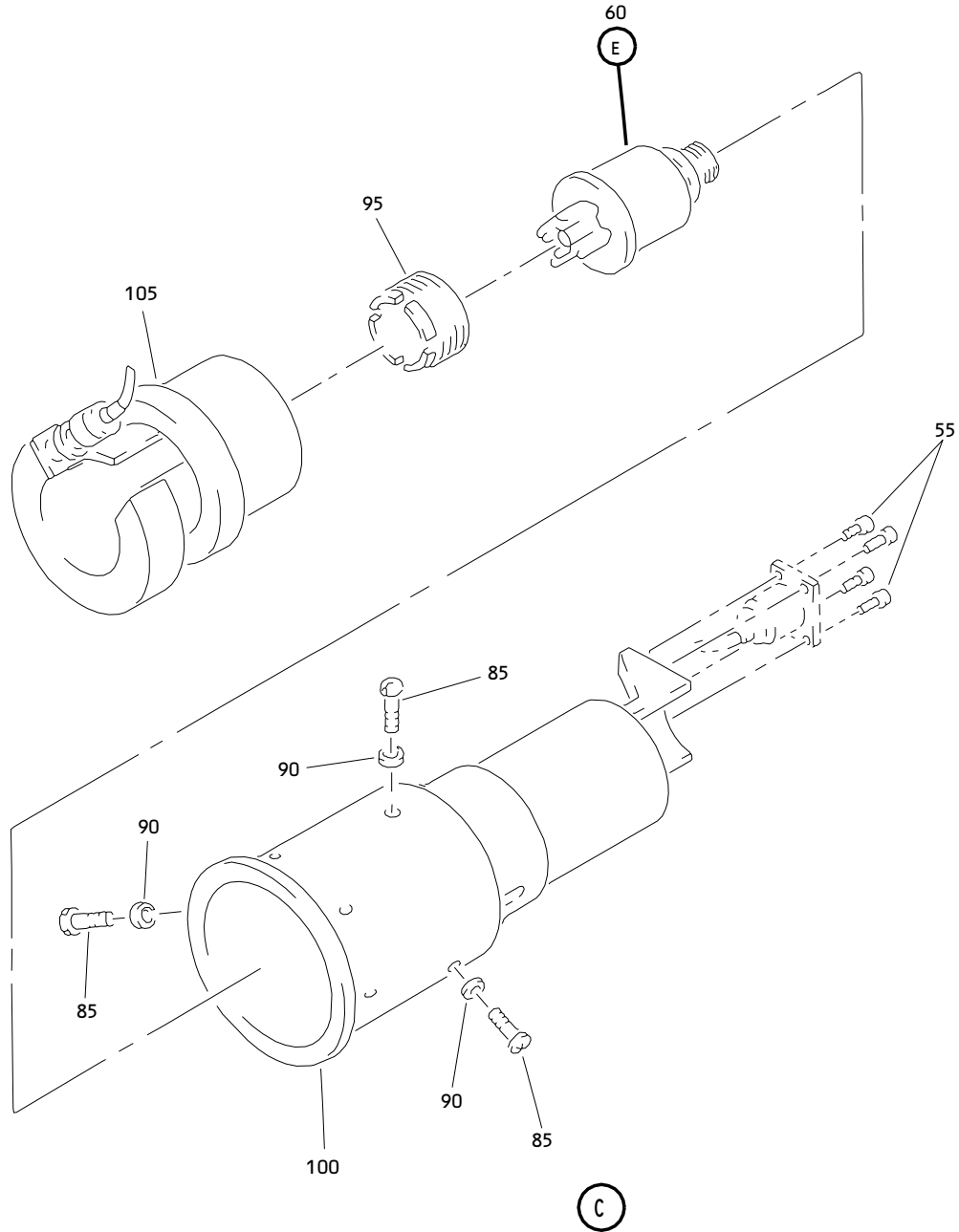
ILLUSTRATED PARTS LIST  
01.1 Page 1068E  
Nov 01/05



Main Landing Gear Buildup Assembly  
 Figure 10 (Sheet 2)

**32-11-20**

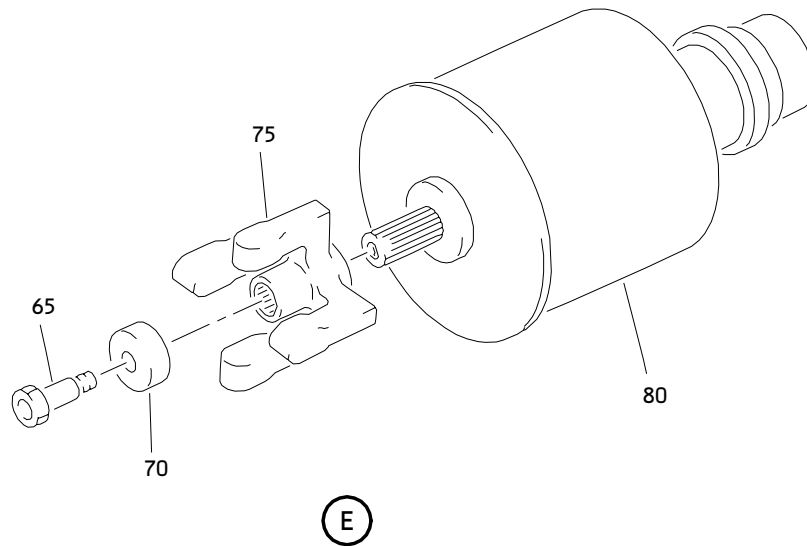
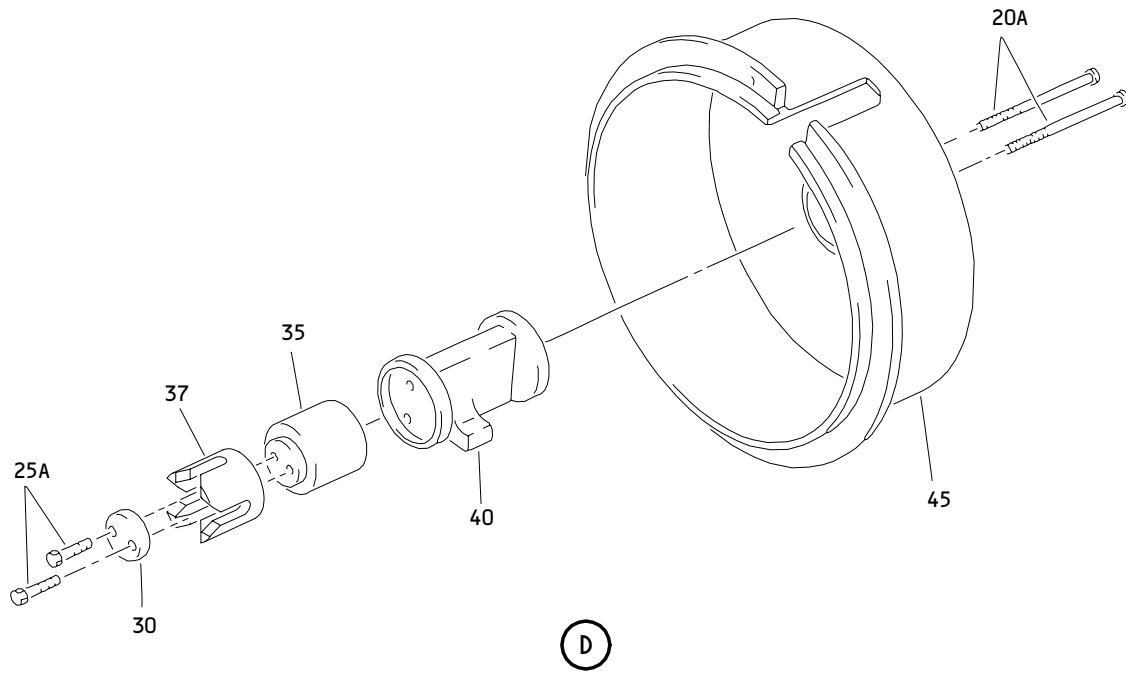
ILLUSTRATED PARTS LIST  
 01.1 Page 1068F  
 Nov 01/05



Main Landing Gear Buildup Assembly  
Figure 10 (Sheet 3)

**32-11-20**

ILLUSTRATED PARTS LIST  
01.1 Page 1068G  
Nov 01/05



Main Landing Gear Buildup Assembly  
Figure 10 (Sheet 4)

**32-11-20**

ILLUSTRATED PARTS LIST  
01.1 Page 1068H  
Nov 01/05

FIG. & ITEM	PART NO.	AIRLINE PART NUMBER	NOMENCLATURE 1234567	EFF CODE	QTY PER ASSY
10- -1	165T0000-5019		BUILD UP ASSY-(LIMITED)	D,G,H ,K, N-BH, BP-BZ ,CD CG-CK ,CP-E F,EM, EQ-EZ HY-JV	RF
-1A	165T0000-5023		DELETED		
-1B	165T0000-5053		BUILD UP ASSY-(LIMITED)	D,G,H ,K, N-BH, BP-BZ ,CD CG-CK ,CP-E F,EM, EQ-EZ HY-JV	RF
-1C	165T0000-5054		DELETED		
-1D	165T0000-5090		.BUILD UP ASSY-(LIMITED)	D,G,H ,K, N-BH, BP-BZ ,CD CG-CK ,CP-E F,EM, EQ-EZ HY-JV	4

**32-11-20**

FIG. & ITEM	PART NO.	AIRLINE PART NUMBER	NOMENCLATURE 1234567	EFF CODE	QTY PER ASSY
10-5	165T0101-6		.BRAKE EQUIPMENT ASSY- (USED ON ITEM 1)	D,G,H ,K, N-BH, BP-BZ ,CD CG-CK ,CP-E F,EM, EQ-EZ HY-JV	1
-5B	165T0101-14		.BRAKE EQUIPMENT ASSY- (USED ON ITEMS 1B)	D,G,H ,K, N-BH, BP-BZ ,CD CG-CK ,CP-E F,EM, EQ-EZ HY-JV	1
-5C	165T0101-23		.BRAKE ASSY- (USED ON ITEM 1D)	D,G,H ,K, N-BH, BP-BZ ,CD CG-CK ,CP-E F,EM, EQ-EZ HY-JV	1

# 32-11-20

 ILLUSTRATED PARTS LIST  
 01.1 Page 1068J  
 Nov 01/05

FIG. & ITEM	PART NO.	AIRLINE PART NUMBER	NOMENCLATURE 1234567	EFF CODE	QTY PER ASSY
10-10	VC1297-875		..CLAMP- (V14242) (USED ON ITEM 5) (OPT ITEMS 10A, 10B)	D,G,H ,K, N-BH, BP-BZ ,CD CG-CK ,CP-E F,EM, EQ-EZ HY-JV	1
-10A	NH1005202-10		..CLAMP- (V00624) (USED ON ITEM 5) (OPT ITEMS 10, 10B)	D,G,H ,K, N-BH, BP-BZ ,CD CG-CK ,CP-E F,EM, EQ-EZ HY-JV	1
-10B	NE103305-0875		..CLAMP- (V00624) (USED ON ITEM 5) (OPT ITEMS 10, 10A)	D,G,H ,K, N-BH, BP-BZ ,CD CG-CK ,CP-E F,EM, EQ-EZ HY-JV	1

**32-11-20**

ILLUSTRATED PARTS LIST  
01.1 Page 1068K  
Nov 01/05

FIG. & ITEM	PART NO.	AIRLINE PART NUMBER	NOMENCLATURE 1234567	EFF CODE	QTY PER ASSY
10- -10C	NE103305-0875		..CLAMP- (V00624) (USED ON ITEM 5B) (OPT ITEMS 10D, 10E)	D,G,H ,K, N-BH, BP-BZ ,CD CG-CK ,CP-E F,EM, EQ-EZ HY-JV	1
-10D	VC1297		..CLAMP- (V14242) (USED ON ITEM 5B) (OPT ITEMS 10C, 10E)	D,G,H ,K, N-BH, BP-BZ ,CD CG-CK ,CP-E F,EM, EQ-EZ HY-JV	1
-10E	BACC10KG875NA		..CLAMP- (V8W928) (USED ON ITEM 5B) (OPT ITEMS 10C, 10D)	D,G,H ,K, N-BH, BP-BZ ,CD CG-CK ,CP-E F,EM, EQ-EZ HY-JV	1
-10F	BACC10KG875NA		..CLAMP- (V8W928) (USED ON ITEM 5C)	D,G,H ,K, N-BH, BP-BZ ,CD CG-CK ,CP-E F,EM, EQ-EZ HY-JV	1

# 32-11-20

 ILLUSTRATED PARTS LIST  
 01.1 Page 1068L  
 Nov 01/05



FIG. & ITEM	PART NO.	AIRLINE PART NUMBER	NOMENCLATURE 1234567	EFF CODE	QTY PER ASSY
10-15	165T0101-104		..HUBCAP ASSY-TPIS	D,G,H ,K, N-BH, BP-BZ ,CD CG-CK ,CP-E F,EM, EQ-EZ HY-JV	1
20 20A	NAS6603H42 NAS6703H42		DELETED ...BOLT	D,G,H ,K, N-BH, BP-BZ ,CD CG-CK ,CP-E F,EM, EQ-EZ HY-JV	2
25 25A	NAS1352C08H10 NAS1352N08H10		DELETED ...SCREW	D,G,H ,K, N-BH, BP-BZ ,CD CG-CK ,CP-E F,EM, EQ-EZ HY-JV	2

**32-11-20**

FIG. & ITEM	PART NO.	AIRLINE PART NUMBER	NOMENCLATURE 1234567	EFF CODE	QTY PER ASSY
10-30	161T1223-1		...WASHER	D,G,H ,K, N-BH, BP-BZ ,CD CG-CK ,CP-E F,EM, EQ-EZ HY-JV	1
35	78529		...COUPLING ASSY- (V92003) (SPEC S161T102-2) (OPT ITEM 35A)	D,G,H ,K, N-BH, BP-BZ ,CD CG-CK ,CP-E F,EM, EQ-EZ HY-JV	1
-35A	84490-1		...COUPLING ASSY- (PERF) (V07649) (SPEC S161T102-5) (OPT ITEM 35)	D,G,H ,K, N-BH, BP-BZ ,CD CG-CK ,CP-E F,EM, EQ-EZ HY-JV	1

# 32-11-20

 ILLUSTRATED PARTS LIST  
 01.1 Page 1068N  
 Nov 01/05

FIG. & ITEM	PART NO.	AIRLINE PART NUMBER	NOMENCLATURE 1234567	EFF CODE	QTY PER ASSY
10-40	163U6008-2		...DRIVER	D,G,H ,K, N-BH, BP-BZ ,CD CG-CK ,CP-E F,EM, EQ-EZ HY-JV	1
45	165T0200-1		...HUBCAP-TPIS	D,G,H ,K, N-BH, BP-BZ ,CD CG-CK ,CP-E F,EM, EQ-EZ HY-JV	1
50	165T0101-105		..ANTISKID ASSY-TPIS	D,G,H ,K, N-BH, BP-BZ ,CD CG-CK ,CP-E F,EM, EQ-EZ HY-JV	1
55	MS24677-3C		...SCREW	D,G,H ,K, N-BH, BP-BZ ,CD CG-CK ,CP-E F,EM, EQ-EZ HY-JV	4

**32-11-20**

ILLUSTRATED PARTS LIST

01.1 Page 10680

Nov 01/05

FIG. & ITEM	PART NO.	AIRLINE PART NUMBER	NOMENCLATURE 1234567	EFF CODE	QTY PER ASSY
10-60	165T0101-102		...ANTISKID ASSY- (OPT ITEM 60A)	D,G,H ,K, N-BH, BP-BZ ,CD CG-CK ,CP-E F,EM, EQ-EZ HY-JV	1
-60A	161T1000-83		...TRANSDUCER ASSY- (OPT ITEM 60)	D,G,H ,K, N-BH, BP-BZ ,CD CG-CK ,CP-E F,EM, EQ-EZ HY-JV	1
65	NAS6603H2		....BOLT	D,G,H ,K, N-BH, BP-BZ ,CD CG-CK ,CP-E H,EM, EQ-EZ HY-JV	1
70	161T1222-1		....WASHER	D,G,H ,K, N-BH, BP-BZ ,CD CG-CK ,CP-E F,EM, EQ-EZ HY-JV	1

# 32-11-20

 ILLUSTRATED PARTS LIST  
 01.1 Page 1068P  
 Nov 01/05

FIG. & ITEM	PART NO.	AIRLINE PART NUMBER	NOMENCLATURE 1234567	EFF CODE	QTY PER ASSY
10-75	161T1221-1		....DOG- (OPT ITEM 75A)	D,G,H ,K, N-BH, BP-BZ ,CD CG-CK ,CP-E F,EM, EQ-EZ HY-JV	1
-75A	161T1221-3		....DOG- (OPT ITEM 75)	D,G,H ,K, N-BH, BP-BZ ,CD CG-CK ,CP-E F,EM, EQ-EZ HY-JV	1
80	140-025-1		....TRANSDUCER- (V81982) (SPEC S283T001-10) (OPT ITEM 80A)	D,G,H ,K, N-BH, BP-BZ ,CD CG-CK ,CP-E F,EM, EQ-EZ HY-JV	1
-80A	140-025-2		....TRANSDUCER- (V81982) (SPEC S283T001-15) (OPT ITEM 80)	D,G,H ,K, N-BH, BP-BZ ,CD CG-CK ,CP-E F,EM, EQ-EZ HY-JV	1

**32-11-20**

ILLUSTRATED PARTS LIST  
01.1 Page 1068Q  
Nov 01/05

FIG. & ITEM	PART NO.	AIRLINE PART NUMBER	NOMENCLATURE 1234567	EFF CODE	QTY PER ASSY
10-85	NAS1801-3-5		...SCREW	D,G,H ,K, N-BH, BP-BZ ,CD CG-CK ,CP-E F,EM, EQ-EZ HY-JV	3
90	AN960-10L		...WASHER	D,G,H ,K, N-BH, BP-BZ ,CD CG-CK ,CP-E F,EM, EQ-EZ HY-JV	3
R 95	161T1209-1		...NUT-RTNR	D,G,H ,K, N-BH, BP-BZ ,CD CG-CK ,CP-E F,EM, EQ-EZ HY-JV	1

# 32-11-20

 ILLUSTRATED PARTS LIST  
 01.1 Page 1068R  
 Nov 01/05

FIG. & ITEM	PART NO.	AIRLINE PART NUMBER	NOMENCLATURE 1234567	EFF CODE	QTY PER ASSY
10-100	165T0201-1		...ADAPTER-TPIS	D,G,H ,K, N-BH, BP-BZ ,CD CG-CK ,CP-E F,EM, EQ-EZ HY-JV	1
105	4305890010		...UNIT-WHL (VF0217) (SPEC S283U006-2)	D,G,H ,K, N-BH, BP-BZ ,CD CG-CK ,CP-E F,EM, EQ-EZ HY-JV	1
110	4305990050		..SENSOR- (VF0217) (SPEC S283U006-7)	D,G,H ,K, N-BH, BP-BZ ,CD CG-CK ,CP-E F,EM, EQ-EZ HY-JV	1
-115	2608812-4		DELETED		

**32-11-20**

FIG. & ITEM	PART NO.	AIRLINE PART NUMBER	NOMENCLATURE 1234567	EFF CODE	QTY PER ASSY
10- -115A	2608812-6		..BRAKE ASSY- (V55284) (SPEC S160T300-14) (ONE EACH 161T1219-2 WASHER TOGETHER WITH ONE EACH S160T300-14 CARBON BRAKE IS INTERCHANGEABLE ONE-WAY FORWARD WITH ONE EACH S160T300-18) (S160T300-14,-15,-18 OR -19 T/W 161T1219-1 OR -2 CAN BE REPLACED ONE-WAY FORWARD WITH S160T400-210 BY SHIPSET ONLY PER S/B 767-32-0168) (OPT 2608812-4 (V55284)) (USED ON ITEM 5) (PRE SB 767-32-0143) (PRE SB 767-32-0153) (PRE SB 767-32-0168) (PER SB 767-32-0183)	D,G,H ,K, N-BH, BP-BZ ,CD CG-CK ,CP-E F,EM, EQ-EZ HY-JV	1
-115B	2608812-7		..BRAKE ASSY- (V55284) (SPEC S160T300-15) (ONE EACH 161T1219-2 WASHER TOGETHER WITH ONE EACH S160T300-15 CARBON BRAKE IS INTERCHANGEABLE ONE-WAY FORWARD WITH ONE EACH S160T300-19) (S160T300-14,-15,-18, OR -19 T/W 161T1219-1, OR -2 CAN BE REPLACED ONE-WAY FORWARD WITH S160T400-210 BY SHIPSET ONLY PER S/B 767-32-0168) (USED ON ITEM 5B) (PRE SB 767-32-0143) (PRE SB 767-32-0153) (PRE SB 767-32-0168) (PRE SB 767-32-0183)	D,G,H ,K, N-BH, BP-BZ ,CD CG-CK ,CP-E F,EM, EQ-EZ HY-JV	1

# 32-11-20

 ILLUSTRATED PARTS LIST  
 01.1 Page 1068T  
 Nov 01/05



 **BOEING**  
COMPONENT  
MAINTENANCE MANUAL

FIG. & ITEM	PART NO.	AIRLINE PART NUMBER	NOMENCLATURE 1234567	EFF CODE	QTY PER ASSY
10- -115C	S160T300-16		..BRAKE ASSY- (POST SB 767-32-0143)	D,G,H ,K, N-BH, BP-BZ ,CD CG-CK ,CP-E F,EM, EQ-EZ HY-JV	1
-115D	2608812-9		..BRAKE ASSY- (V55284) (SPEC S160T300-17) (QUANTITY 1, S160T300-15 (2608812-7), BRAKE ASSEMBLY T/W QTY 1, 161T1219-1 OR -2 WASHER I/W QTY 1, S160T300-17 (2608812-9) BRAKE ASSEMBLY) (POST SB 767-32-0143)	D,G,H ,K, N-BH, BP-BZ ,CD CG-CK ,CP-E F,EM, EQ-EZ HY-JV	1
-115E	2608812-11		..BRAKE ASSY- (V55284) (SPEC S160T300-19) (S160T300-14,-15,-18, OR -19 T/W 161T1219-1 OR -2 CAN BE REPLACED ONE-WAY FORWARD WITH S160T400-210 BY SHIPSET ONLY PER S/B 767-32-0168) (ONE EACH 161T1219-2 WASHER TOGETHER WITH ONE EACH S160T300-15 CARBON BRAKE IS INTERCHANGEABLE ONE-WAY FORWARD WITH ONE EACH S160T300-19) (USED ON ITEM 5C) (POST SB 767-32-0153) (PRE SN 767-32-0168) (PRE SN 767-32-0183)	D,G,H ,K, N-BH, BP-BZ ,CD CG-CK ,CP-E F,EM, EQ-EZ HY-JV	1
-115F	S160T300-18		DELETED		

**32-11-20**

ILLUSTRATED PARTS LIST  
01.1 Page 1068U  
Nov 01/05

FIG. & ITEM	PART NO.	AIRLINE PART NUMBER	NOMENCLATURE 1234567	EFF CODE	QTY PER ASSY
10- -115G	2608812-10		..BRAKE ASSY- (V55284) (SPEC S160T300-18) (S160T300-14,-15,-18, OR -19 T/W 161T1219-1 OR -2 CAN BE REPLACED ONE-WAY FORWARD WITH S160T400-210 BY SHIPSET ONLY PER S/B 767-32-0168) (ONE EACH 161T1219-2 WASHER TOGETHER WITH ONE EACH S160T300-14 CARBON BRAKE IS INTERCHANGEABLE ONE-WAY FORWARD WITH ONE EACH S160T300-18) (POST SB 767-32-0153) (PRE SB 767-32-0168) (PRE SB 767-32-0183)	D,G,H ,K, N-BH, BP-BZ ,CD CG-CK ,CP-E F,EM, EQ-EZ HY-JV	1
-115H	2612412-1		..BRAKE ASSY- (V55284) (SPEC S160T400-210) (S160T300-14,-15,-18, OR -19 T/W 161T1219-1 OR -2 BE REPLACED ONE-WAY FORWARD WITH S160T400-210 BY SHIPSET ONLY PER S/B 767-32-0168) (POST SB 767-32-0168)	D,G,H ,K, N-BH, BP-BZ ,CD CG-CK ,CP-E F,EM, EQ-EZ HY-JV	1
-115J -115K	S160T400-510 C20508000		DELETED ..BRAKE ASSY- (VF6137) (SPEC S160T400-510) (POST SB 767-32-0183)	D,G,H ,K, N-BH, BP-BZ ,CD CG-CK ,CP-E F,EM, EQ-EZ HY-JV	1

# 32-11-20

FIG. & ITEM	PART NO.	AIRLINE PART NUMBER	NOMENCLATURE 1234567	EFF CODE	QTY PER ASSY
10- -120	163U6009-1		..SPACER	D,G,H ,K, N-BH, BP-BZ ,CD CG-CK ,CP-E F,EM, EQ-EZ HY-JV	1
-125	163U6010-1		..GROMMET	D,G,H ,K, N-BH, BP-BZ ,CD CG-CK ,CP-E F,EM, EQ-EZ HY-JV	1
130	165T0100-17		.WHEEL AND TIRE ASSY- (USED ON ITEMS 1, 1B, 1D)	D,G,H ,K, N-BH, BP-BZ ,CD CG-CK ,CP-E F,EM, EQ-EZ HY-JV	1
-130A	165T0100-19		DELETED		

**32-11-20**

ILLUSTRATED PARTS LIST  
01.1 Page 1068W  
Nov 01/05

FIG. & ITEM	PART NO.	AIRLINE PART NUMBER	NOMENCLATURE 1234567	EFF CODE	QTY PER ASSY
10- -135	4305910080		..CAP-SEAL (VF0217) (SPEC S283U006-9)	D,G,H ,K, N-BH, BP-BZ ,CD CG-CK ,CP-E F,EM, EQ-EZ HY-JV	1
-140	4305901040		..HOLDER- (VF0217) (SPEC S283U006-5)	D,G,H ,K, N-BH, BP-BZ ,CD CG-CK ,CP-E F,EM, EQ-EZ HY-JV	1
145 145A	039-807 APS06007		DELETED ..TIRE- (VS4233) (SPEC S160T201-3621) (OPT 039-807 (V03481)) (OPT 468K22-1 (V73842)) (OPT APS01441 (VS4233)) (OPT SR23523T (V0940B)) (OPT DR25622T (VK1037)) (OPT 039-807-0 (V0A1K8)) (OPT S0145 (V0587B))	D,G,H ,K, N-BH, BP-BZ ,CD CG-CK ,CP-E F,EM, EQ-EZ HY-JV	1
145B 145C	039-807-0 S0145		DELETED DELETED		

# 32-11-20

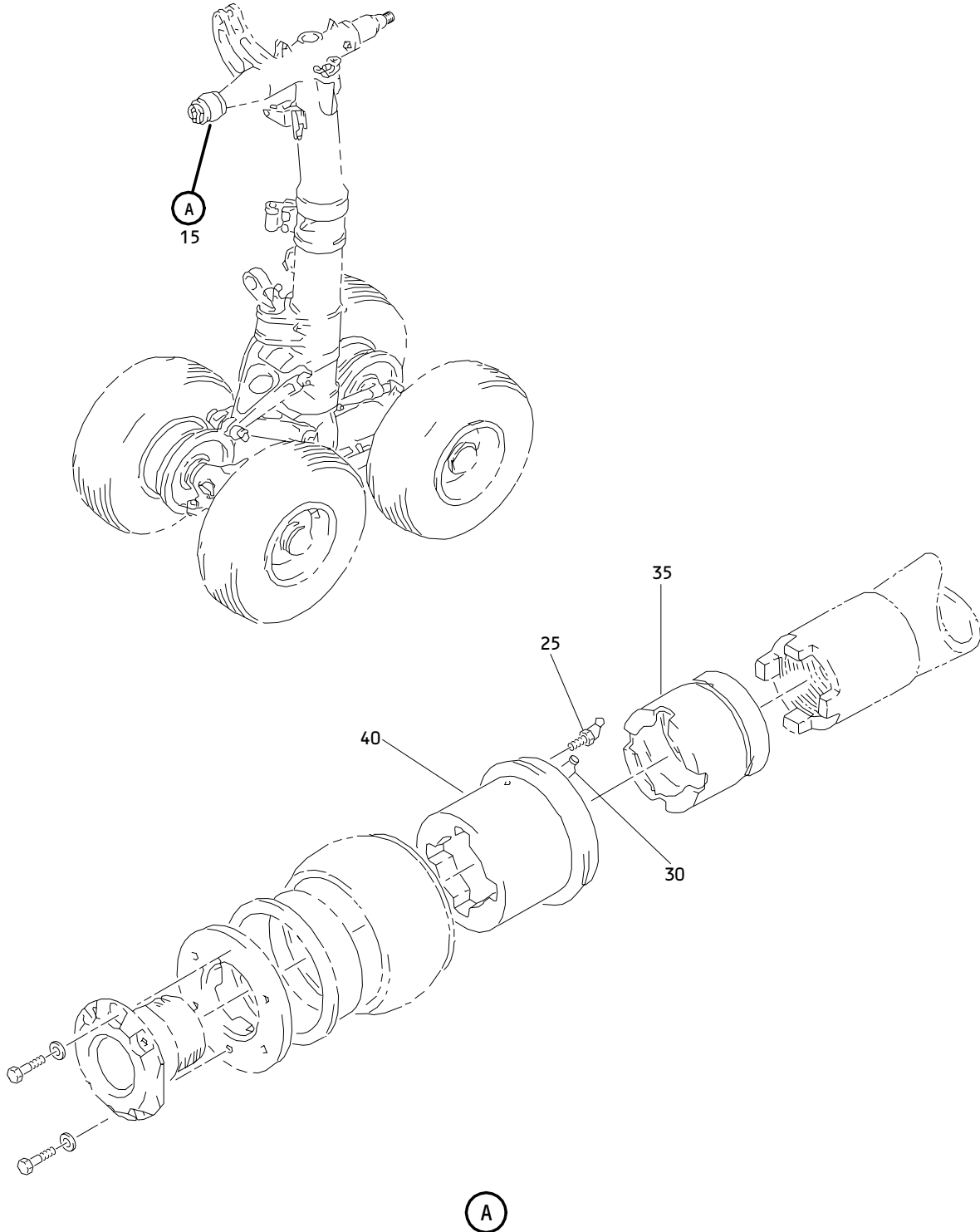
 ILLUSTRATED PARTS LIST  
 01.1 Page 1068X  
 Nov 01/05

FIG. & ITEM	PART NO.	AIRLINE PART NUMBER	NOMENCLATURE 1234567	EFF CODE	QTY PER ASSY
10-150	2608811-5		..WHEEL ASSY- (VF6137) (SPEC S160T300-23) (USED ON ITEM 130) (PRE SB 767-32-0183)	D,G,H ,K, N-BH, BP-BZ ,CD CG-CK ,CP-E F,EM, EQ-EZ HY-JV	1
-150A	2608811-3		..WHEEL ASSY- (V55284) (SPEC S160T300-22) (USED ON ITEM 130A) (PRE SB 767-32-0183)	D,G,H ,K, N-BH, BP-BZ ,CD CG-CK ,CP-E F,EM, EQ-EZ HY-JV	1
-150B	S160T400-530		..WHEEL ASSY- (POST SB 767-32-0183)	D,G,H ,K, N-BH, BP-BZ ,CD CG-CK ,CP-E F,EM, EQ-EZ HY-JV	1

- Item Not Illustrated

**32-11-20**

ILLUSTRATED PARTS LIST  
01.1 Page 1068Y  
Nov 01/05



Limited Part Collector  
Figure 11

**32-11-20**

ILLUSTRATED PARTS LIST  
01.1 Page 1068Z  
Nov 01/05

FIG. & ITEM	PART NO.	AIRLINE PART NUMBER	NOMENCLATURE 1234567	EFF CODE	QTY PER ASSY
11- -1A	161T1000-5022		COLLECTOR-WHEEL,TIRE AND BRAKE LIMITED PART	ED	RF
-1B	161T1000-5024		COLLECTOR-WHEEL,TIRE AND BRAKE LIMITED PART	DY	RF
-1C	161T1000-5026		COLLECTOR-WHEEL,TIRE AND BRAKE LIMITED PART	EF	RF
-1D	161T1000-5032		DELETED		
-1E	161T1000-5034		COLLECTOR-WHEEL,TIRE AND BRAKE LIMITED PART	DV	RF
-1F	161T1000-5036		DELETED		
-1G	161T1000-5038		DELETED		
-1H	161T1000-5020		COLLECTOR-LIMITED PART	ED	1
-1J	161T1000-5088		COLLECTOR-LIMITED PART	EQ	1
-1K	161T1000-5112		COLLECTOR-LIMITED PART	ES	1
-1L	161T1000-5092		COLLECTOR-LIMITED PART	ET	1
-1M	161T1000-5100		COLLECTOR-LIMITED PART	EU	1
-1N	161T1000-5104		COLLECTOR-LIMITED PART	EV	1
-1P	161T1000-5110		COLLECTOR-LIMITED PART	EW	1
-1Q	161T1000-5096		COLLECTOR-LIMITED PART	EX	1
-1R	161T1000-5122		COLLECTOR-LIMITED PART	EZ	1
-1S	161T1000-5124		COLLECTOR-LIMITED PART	EZ	1
-1T	161T1000-5130		DELETED		
-1U	161T1000-5070		COLLECTOR-LIMITED PART	ER	1
-1V	161T1000-5072		COLLECTOR-LIMITED PART	ER	1
-1W	161T1000-5105		COLLECTOR-LIMITED PART	ER	1
-1X	161T1000-5106		COLLECTOR-LIMITED PART	ER	1
-1Y	161T1000-5114		COLLECTOR-LIMITED PART	ER	1
-1Z	161T1000-5118		COLLECTOR-LIMITED PART	ER	1
-2	161T1000-5128		COLLECTOR-LIMITED PART	ER	1
-2A	161T1000-5134		COLLECTOR-LIMITED PART	ER	1
-2B	161T1000-5136		COLLECTOR-LIMITED PART	ER	1
-2C	161T1000-5138		DELETED		
-2D	161T1000-5078		COLLECTOR-LIMITED PART	EY	1
-2E	161T1000-5080		COLLECTOR-LIMITED PART	EY	1
-2F	161T1000-5126		COLLECTOR-LIMITED PART	EY	1
-2G	161T1000-5132		DELETED		
-2H	161T1000-5086		COLLECTOR-LIMITED PART	EQ	1
-2J	161T1000-5062		COLLECTOR-LIMITED PART	ES	1
-2K	161T1000-5074		COLLECTOR-LIMITED PART	ES	1
-2L	161T1000-5076		COLLECTOR-LIMITED PART	ES	1
-2M	161T1000-5120		COLLECTOR-LIMITED PART	ES	1
-2N	161T1000-5094		COLLECTOR-LIMITED PART	EX	1
-2P	161T1000-5109		COLLECTOR-LIMITED PART	EW	1
-2Q	161T1000-5090		COLLECTOR-LIMITED PART	ET	1
-2R	161T1000-5098		COLLECTOR-LIMITED PART	EU	1

32-11-20

FIG. & ITEM	PART NO.	AIRLINE PART NUMBER	NOMENCLATURE 1234567	EFF CODE	QTY PER ASSY
11-					
-2S	161T1000-5116		COLLECTOR-LIMITED PART	EX	1
-3	161T1000-5021		COLLECTOR-LIMITED PART	BF	1
-3A	161T1000-5025		COLLECTOR-LIMITED PART	BH	1
-3B	161T1000-5031		COLLECTOR-LIMITED PART	BS	1
-3C	161T1000-5033		COLLECTOR-LIMITED PART	AX	1
-3D	161T1000-5019		COLLECTOR-LIMITED PART	BF	1
-3E	161T1000-5087		COLLECTOR-LIMITED PART	BQ	1
-3F	161T1000-5111		COLLECTOR-LIMITED PART	BQ	1
-3G	161T1000-5091		COLLECTOR-LIMITED PART	BT	1
-3H	161T1000-5099		COLLECTOR-LIMITED PART	BU	1
-3J	161T1000-5103		COLLECTOR-LIMITED PART	BV	1
-3K	161T1000-5108		COLLECTOR-LIMITED PART	BW	1
-3L	161T1000-5095		COLLECTOR-LIMITED PART	BX	1
-3M	161T1000-5123		COLLECTOR-LIMITED PART	BZ	1
-3N	161T1000-5121		COLLECTOR-LIMITED PART	BZ	1
-3P	161T1000-5129		DELETED		
-3Q	161T1000-5029		COLLECTOR-LIMITED PART	BR	1
-3R	161T1000-5065		COLLECTOR-LIMITED PART	BR	1
-3S	161T1000-5069		COLLECTOR-LIMITED PART	BR	1
-3T	161T1000-5071		COLLECTOR-LIMITED PART	BR	1
-3U	161T1000-5113		COLLECTOR-LIMITED PART	BR	1
-3V	161T1000-5117		COLLECTOR-LIMITED PART	BR	1
-3W	161T1000-5127		COLLECTOR-LIMITED PART	BR	1
-3X	161T1000-5133		COLLECTOR-LIMITED PART	BR	1
-3Y	161T1000-5135		COLLECTOR-LIMITED PART	BR	1
-3Z	161T1000-5137		DELETED		
-4	161T1000-5077		COLLECTOR-LIMITED PART	BY	1
-4A	161T1000-5079		COLLECTOR-LIMITED PART	BY	1
-4B	161T1000-5125		COLLECTOR-LIMITED PART	BY	1
-4C	161T1000-5131		DELETED		
-4D	161T1000-5085		COLLECTOR-LIMITED PART	BQ	1
-4E	161T1000-5073		COLLECTOR-LIMITED PART	BS	1
-4F	161T1000-5075		COLLECTOR-LIMITED PART	BS	1
-4G	161T1000-5119		COLLECTOR-LIMITED PART	BS	1
-4H	161T1000-5107		COLLECTOR-LIMITED PART	BW	1
-4J	161T1000-5093		COLLECTOR-LIMITED PART	BX	1
-4K	161T1000-5089		COLLECTOR-LIMITED PART	BT	1
-4L	161T1000-5097		COLLECTOR-LIMITED PART	BU	1
-4M	161T1000-5115		COLLECTOR-LIMITED PART	BX	1

# 32-11-20

 ILLUSTRATED PARTS LIST  
 01.1 Page 1070  
 Nov 01/05



FIG. & ITEM	PART NO.	AIRLINE PART NUMBER	NOMENCLATURE 1234567	EFF CODE	QTY PER ASSY
11- -5	161T1100-230		.COMPONENT ASSY (USED ON ITEM 1H) (REF CMM 32-11-30)	DB	1
-5A	161T1100-238		DELETED		
-5B	161T1100-244		DELETED		
-5C	161T1100-252		DELETED		
-5D	161T1100-266		.COMPONENT ASSY- (USED ON ITEMS 1A, 1E) (REF CMM 32-11-30)	DV,ED	1
-5E	161T1100-272		DELETED		
-5F	161T1100-274		DELETED		
-5G	161T1100-266		.COMPONENT ASSY- (OPT ITEM 5H) (USED ON ITEM 1C) (REF CMM 32-11-30)	EF	1
-5H	161T1100-268		.COMPONENT ASSY- (OPT ITEM 5G) (USED ON ITEM 1C) (REF CMM 32-11-30)	EF	1
-5J	161T1100-356		.COMPONENT ASSY- (USED ON ITEM 1J) (REF CMM 32-11-30)	EQ	1
-5K	161T1100-360		.COMPONENT ASSY- (USED ON ITEM 1K) (REF CMM 32-11-30)	ES	1
-5L	161T1100-352		.COMPONENT ASSY- (USED ON ITEM 1L) (REF CMM 32-11-30)	ET	1
-5M	161T1100-364		.COMPONENT ASSY- (USED ON ITEM 1M) (REF CMM 32-11-30)	EU	1

**32-11-20**

FIG. & ITEM	PART NO.	AIRLINE PART NUMBER	NOMENCLATURE 1234567	EFF CODE	QTY PER ASSY
11- -5N	161T1100-368		.COMPONENT ASSY- (USED ON ITEM 1N) (REF CMM 32-11-30)	EV	1
-5P	161T1100-372		.COMPONENT ASSY- (USED ON ITEM 1P) (REF CMM 32-11-30)	EW	1
-5Q	161T1100-354		.COMPONENT ASSY- (USED ON ITEM 1Q) (REF CMM 32-11-30)	EX	1
-5R	161T1100-318		.COMPONENT ASSY- (USED ON ITEM 1R) (REF CMM 32-11-30)	EZ	1
-5S	161T1100-366		.COMPONENT ASSY- (USED ON ITEM 1S) (REF CMM 32-11-30)	EZ	1
-5T	161T1100-380		DELETED		
-5U	161T1100-332		.COMPONENT ASSY- (USED ON ITEMS 1Y, 2B, 2E) (REF CMM 32-11-30)	ER,EY	1
-5V	161T1100-382		.COMPONENT ASSY-REWORK (USED ON ITEMS 2A) (REF CMM 32-11-30)	ER,EY	1
-5W	161T1100-370		.COMPONENT ASSY- (USED ON ITEMS 2, 2F) (REF CMM 32-11-30)	ER,EY	1
-5X	161T1100-294		.COMPONENT ASSY- (USED ON ITEMS 1U, 1W 2D) (REF CMM 32-11-30)	ER,EY	1
-5Y	161T1100-302		.COMPONENT ASSY- (USED ON ITEMS 1V, 1X) (REF CMM 32-11-30)	ER	1

# 32-11-20

 ILLUSTRATED PARTS LIST  
 01.1 Page 1070B  
 Nov 01/05

FIG. & ITEM	PART NO.	AIRLINE PART NUMBER	NOMENCLATURE 1234567	EFF CODE	QTY PER ASSY
11- -5Z	161T1100-284		.COMPONENT ASSY- (USED ON ITEM 2H) (REF CMM 32-11-30)	EQ	1
-6	161T1100-350		.COMPONENT ASSY- (USED ON ITEM 1Z) (REF CMM 32-11-30)	ER	1
-6A	161T1100-286		.COMPONENT ASSY- (USED ON ITEMS 2J, 2K) (REF CMM 32-11-30)	ES	1
-6B	161T1100-304		.COMPONENT ASSY- (USED ON ITEM 2L) (REF CMM 32-11-30)	ES	1
-6C	161T1100-348		.COMPONENT ASSY- (USED ON ITEM 2M) (REF CMM 32-11-30)	ES	1
-6D	161T1100-290		.COMPONENT ASSY- (USED ON ITEM 2N) (REF CMM 32-11-30)	EX	1
-6E	161T1100-306		.COMPONENT ASSY- (USED ON ITEM 2Q) (REF CMM 32-11-30)	EW	1
-6F	161T1100-288		.COMPONENT ASSY- (USED ON ITEM 2R) (REF CMM 32-11-30)	ET	1
-6G	161T1100-296		.COMPONENT ASSY- (USED ON ITEM 2R) (REF CMM 32-11-30)	EU	1
-6H	161T1100-342		.COMPONENT ASSY- (USED ON ITEM 2S) (REF CMM 32-11-30)	EX	1

**32-11-20**

ILLUSTRATED PARTS LIST  
01.1 Page 1070C  
Nov 01/05

FIG. & ITEM	PART NO.	AIRLINE PART NUMBER	NOMENCLATURE 1234567	EFF CODE	QTY PER ASSY
11- -10	161T1100-265		.COMPONENT ASSY (USED ON ITEMS 3, 3C) (REF CMM 32-11-30)	AX,BF	1
-10A	161T1100-265		.COMPONENT ASSY- (OPT ITEM 10B) (USED ON ITEM 3A) (REF CMM 32-11-30)	BH	1
-10B	161T1100-267		.COMPONENT ASSY- (OPT ITEM 10A) (USED ON ITEM 3A) (REF CMM 32-11-30)	BH	1
-10C	161T1100-285		.COMPONENT ASSY- (USED ON ITEM 3B, 4E) (REF CMM 32-11-30)	BS	1
-10D	161T1100-229		.COMPONENT ASSY- (USED ON ITEM 3D) (REF CMM 32-11-30)	BF	1
-10E	161T1100-355		.COMPONENT ASSY- (USED ON ITEM 3E) (REF CMM 32-11-30)	BQ	1
-10F	161T1100-359		.COMPONENT ASSY- (USED ON ITEM 3F) (REF CMM 32-11-30)	BQ	1
-10G	161T1100-351		.COMPONENT ASSY- (USED ON ITEM 3G) (REF CMM 32-11-30)	BT	1
-10H	161T1100-363		.COMPONENT ASSY- (USED ON ITEM 3H) (REF CMM 32-11-30)	BU	1
-10J	161T1100-367		.COMPONENT ASSY- (USED ON ITEM 3J) (REF CMM 32-11-30)	BV	1
-10K	161T1100-371		.COMPONENT ASSY- (USED ON ITEM 3K) (REF CMM 32-11-30)	BW	1
-10L	161T1100-353		.COMPONENT ASSY- (USED ON ITEM 3L) (REF CMM 32-11-30)	BX	1
-10M	161T1100-365		.COMPONENT ASSY- (USED ON ITEM 3M) (REF CMM 32-11-30)	BZ	1
-10N	161T1100-317		.COMPONENT ASSY- (USED ON ITEM 3N) (REF CMM 32-11-30)	BZ	1
-10P	161T1100-379		DELETED		

# 32-11-20

 ILLUSTRATED PARTS LIST  
 01.1 Page 1070D  
 Nov 01/05



**BOEING**  
COMPONENT  
MAINTENANCE MANUAL

FIG. & ITEM	PART NO.	AIRLINE PART NUMBER	NOMENCLATURE 1234567	EFF CODE	QTY PER ASSY
11- -10Q	161T1100-381		.COMPONENT ASSY-REWORK (USED ON ITEM 3X) (REF CMM 32-11-30)	BR	1
-10R	161T1100-331		.COMPONENT ASSY- (USED ON ITEMS 3U, 3Y, 4A) (REF CMM 32-11-30)	BR,BY	1
-10S	161T1100-369		.COMPONENT ASSY- (USED ON ITEMS 3W, 4B) (REF CMM 32-11-30)	BR,BY	1
-10T	161T1100-293		.COMPONENT ASSY- (USED ON ITEMS 3Q, 3S, 4) (REF CMM 32-11-30)	BR,BY	1
-10U	161T1100-349		.COMPONENT ASSY- (USED ON ITEM 3V) (REF CMM 32-11-30)	BR	1
-10V	161T1100-301		.COMPONENT ASSY- (USED ON ITEMS 3R, 3T) (REF CMM 32-11-30)	BR	1
-10W	161T1100-283		.COMPONENT ASSY- (USED ON ITEM 4D) (REF CMM 32-11-30)	BR	1
-10X	161T1100-303		.COMPONENT ASSY- (USED ON ITEM 4F) (REF CMM 32-11-30)	BS	1
-10Y	161T1100-347		.COMPONENT ASSY- (USED ON ITEM 4G) (REF CMM 32-11-30)	BS	1
-10Z	161T1100-305		.COMPONENT ASSY- (USED ON ITEM 4J) (REF CMM 32-11-30)	BW	1
-11	161T1100-289		.COMPONENT ASSY- (USED ON ITEM 4L) (REF CMM 32-11-30)	BX	1
-11A	161T1100-287		.COMPONENT ASSY- (USED ON ITEM 4K) (REF CMM 32-11-30)	BT	1
-11B	161T1100-295		.COMPONENT ASSY- (USED ON ITEM 4L) (REF CMM 32-11-30)	BU	1
-11C	161T1100-341		.COMPONENT ASSY- (USED ON ITEM 4M) (REF CMM 32-11-30)	BX	1

**32-11-20**

ILLUSTRATED PARTS LIST  
01.1 Page 1070E  
Nov 01/05

FIG. & ITEM	PART NO.	AIRLINE PART NUMBER	NOMENCLATURE 1234567	EFF CODE	QTY PER ASSY
11-15	161T1303-7		.HOUSING ASSY-FWD TRUN BRG (SERIALIZED) (USED ON ITEMS 3, 3B, 3C, 3D, 3Q, 4D)	AX,BF, BR,BS	1
-15A	161T1303-9		.HOUSING ASSY-REWORK FWD TRUN BRG (SERIALIZED) (USED ON ITEMS 3B, 3C, 3Q, 3R, 3S, 4, 4D, 4E, 4K, 4L)	AX,BR-BU, BX,BY, FA	1
-15B	161T1303-11		.HOUSING ASSY-FWD TRUN BRG (SERIALIZED) (USED ON ITEMS 3E, 3F, 3G, 3H, 3L, 3T, 3U, 3V, 3W, 3X, 3Y, 4A, 4B, 4F, 4G, 4M)	BQ-BU, BX,BY	1
-20	161T1303-7		.HOUSING ASSY-FWD TRUN BRG (SERIALIZED) (USED ON ITEMS 1A, 1E, 1H, 1W, 2H, 2J)	DV,ED, ER,ES	1
-20A	161T1303-9		.HOUSING ASSY-REWORK FWD TRUN BRG (SERIALIZED) (USED ON ITEMS 1E, 1U, 1W, 1X, 2D, 2H, 2J, 2K, 2N, 2R)	DV,E R-ET, EX,EY, FH	1
-20B	161T1303-11		.HOUSING ASSY-FWD TRUN BRG (SERIALIZED) (USED ON ITEMS 1J, 1K, 1L, 1M, 1Q, 1R, 1V, 1Y, 1Z, 2, 2A, 2B, 2E, 2F, 2L, 2M, 2S)	EQ-EU, EX,EY	1
25	1992B		..FITTING-LUBE (VOFKM1)	AX,BF, BQ-BV, BX, BY, DV, ED, E, Q-EU, EX, EY, FA, FH	1

# 32-11-20

FIG. & ITEM	PART NO.	AIRLINE PART NUMBER	NOMENCLATURE 1234567	EFF CODE	QTY PER ASSY
11-30	1992B		..FITTING-LUBE (VOFKM1) (USED ON ITEMS 15,15B,20 20B)	AX,BF ,BQ-B V,BX, BY,DV ED,E Q-EU, EX,EY ,FA,F H	1
-30A	MS16535-431		..RIVET- (SIZE DETERMINE ON INST) (OPT ITEM 30B) (USED ON ITEMS 15A, 20A)	AX,BR ,BS,B Y,DV, ER,EY ,FA FH	1
-30B	BACR15FT6KE6C		..RIVET- (SIZE DETERMINE ON INST) (OPT ITEM 30A) (USED ON ITEMS 15A, 20A)	AX,BS ,DV, FA,FH	1
35	161T1304-3		..SLEEVE- (USED ON ITEMS 15, 20)	AX,BF ,DS,D V,ED	1
-35A	161T1304-3		..SLEEVE- (OPT ITEM 35B) (USED ON ITEMS 15A, 15B, 20A, 20B)	AX,BQ ,BS-B U,BX, DV,EQ ES-EU ,EX, FA,FH	1
-35B	161T1304-4		..SLEEVE- (OPT ITEM 35A) (USED ON ITEMS 15A, 15B, 20A, 20B)	AX,BQ ,BS-B U,BX, DV,EQ ES-EU ,EX, FA,FH	1

**32-11-20**

ILLUSTRATED PARTS LIST  
01.1 Page 1070G  
Nov 01/05

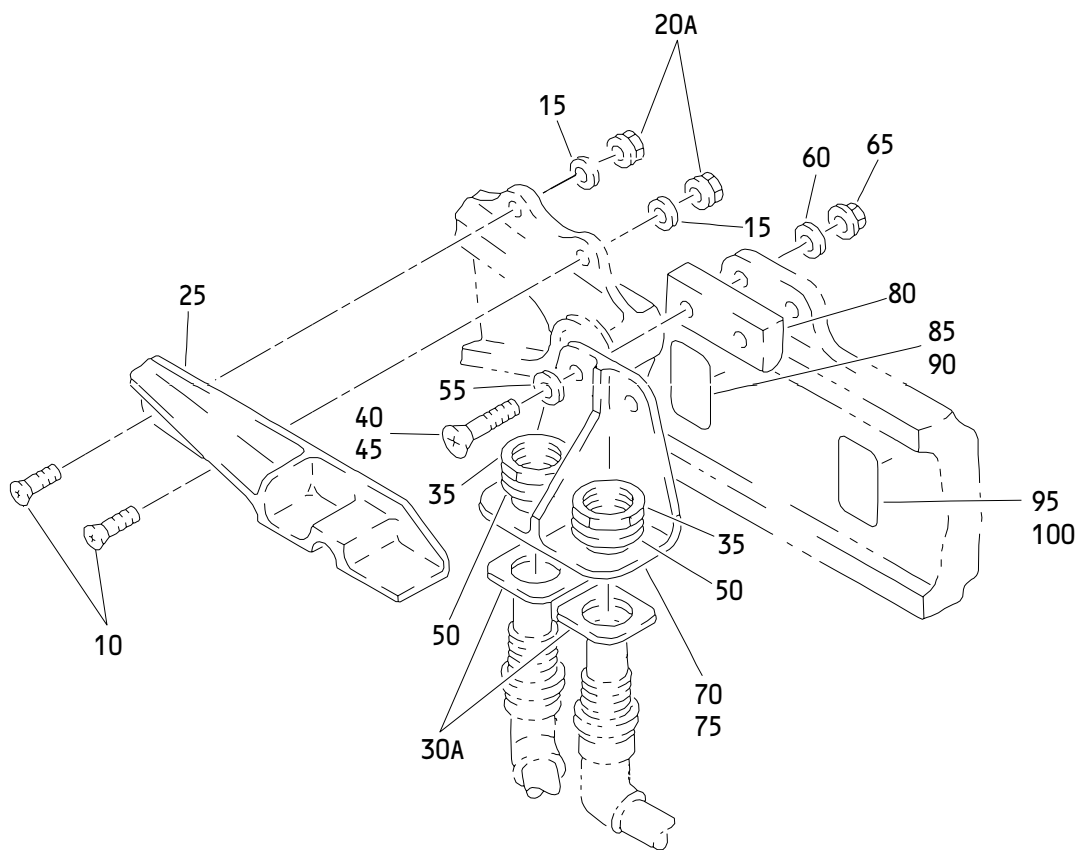
FIG. & ITEM	PART NO.	AIRLINE PART NUMBER	NOMENCLATURE 1234567	EFF CODE	QTY PER ASSY
11-40	161T1303-8		..HOUSING-(SERIALIZED) (USED ON ITEMS 15, 15A, 20, 20A)	AX,BF ,BR,B S,BY, DV,ED ER,EY ,FA,F H	1
-40A	161T1303-12		..HOUSING-(SERIALIZED) (USED ON ITEMS 15B, 20B)	BQ-BU ,BX,B Y,E Q-EU, EX,EY	1
-45	161T1306-2		.BOLT- (USED ON ITEMS 1W, 2E, 2J, 3B, 3Q,4D)	BR,BS ,ER	1
-45A	161T1306-4		.BOLT-REWORK (OPT ITEM 45B) (USED ON ITEMS 1J,1K,1R, 1U,1V,1X,1Y,1Z,2,2A,2K, 2L,2M,3E,3F,3R,3S,3T,3U, 3V,3W,3X,4E,4F,4G)	BQ,BR ,BS,E Q,ER, ES	1
-45B	161T1306-5		.BOLT-REWORK (OPT ITEM 45A) (USED ON ITEMS 1J,1K,1R 1U,1V,1X,1Y,1Z,2,2A,2K, 2L,2M,3E,3F,3R,3S,3T,3U, 3V,3W,3X,4E,4F,4G)	BQ,BR ,BS,E Q,ER, ES	1
50	161T1219-2		.WASHER- (USED ON ITEMS 1R, 1U 1V,1W,1X,1Y,2A,2D,2E 2J,2K,2L,2Q,2R,2S,3B 3N,3Q,3R,3S,3T,3U 3V,3X,4,4A,4E,4F,4J,4K 4L,4M)	BR-BT ,BX-B Z,ER, EU,E W-EZ	4

- Item Not Illustrated

# 32-11-20

 ILLUSTRATED PARTS LIST  
 01.1 Page 1070H  
 Nov 01/05





Side Brace Down and Locked Sensor Installation  
Figure 12

**32-11-20**

ILLUSTRATED PARTS LIST  
01.1 Page 1070J  
Nov 01/05

FIG. & ITEM	PART NO.	AIRLINE PART NUMBER	NOMENCLATURE 1234567	EFF CODE	QTY PER ASSY
12- -1A	284T0267-15		SENSOR INSTL-MAIN LANDING GEAR STRUTS- L SIDE BRACE DOWN AND LOCKED	A-BH, BP-BZ ,HY-J J	RF
-5	284T0267-16		SENSOR INSTL-MAIN LANDING GEAR STRUTS-R SIDE BRACE DOWN AND LOCKED	CA-EF ,EM,E Q-EZ, JK-JV	RF
10	BACB30LH3-4		.BOLT	A-BH, BP-EF ,EM,E Q-EZ, HY-JV	2
15	NAS1149D0332J		.WASHER	A-BH, BP-EF ,EM,E Q-EZ, HY-JV	2
20 20A	BACN1YR3CD H52732-3CD		DELETED .NUT- (V15653) (SPEC BACN10YR3CD) (OPT PLH53CD (V62554))	A-BH, BP-EF ,EM,E Q-EZ, HY-JV	2
25	284T0541-11		.BRACKET	A-BH, BP-BZ ,HY-J J	1
-25A	284T0541-12		DELETED		

**32-11-20**

ILLUSTRATED PARTS LIST  
01.1 Page 1070K  
Nov 01/05

FIG. & ITEM	PART NO.	AIRLINE PART NUMBER	NOMENCLATURE 1234567	EFF CODE	QTY PER ASSY
12- -26	284T0541-12		.BRACKET	CA-EF ,EM,E Q-EZ, JK-JV	1
30 30A	284T1262-9 284U1262-9		DELETED .SHIM	A-BH, BP-EF ,EM,E Q-EZ, HY-JV	AR
35	MS21340-25		.NUT	A-BH, BP-EF ,EM,E Q-EZ, HY-JV	2
40	BACB30NM3K13		.BOLT- (ITEM 70 TOGETHER WITH ITEM 40 AND ITEM 70 IS OPTIONAL TO ITEM 75 TOGETHER WITH ITEM 45.)	A-BH, BP-EF ,EM,E Q-EZ, HY-JV	2
45	BACB30LH3-12		.BOLT- (ITEM 70 TOGETHER WITH ITEM 40 AND ITEM 70 IS OPTIONAL TO ITEM 75 TOGETHER WITH ITEM 45.)	A-BH, BP-EF ,EM,E Q-EZ, HY-JV	2
50	MS25081C6		.WASHER- (ITEM 70 TOGETHER WITH ITEM 40 AND ITEM 55 IS OPTIONAL TO ITEM 75 TOGETHER WITH ITEM 45.)	A-BH, BP-EF ,EM,E Q-EZ, HY-JV	2
55	BACW10BN3AC		.WASHER-UNDER HEAD	A-BH, BP-EF ,EM,E Q-EZ, HY-JV	2
60	NAS1149D0332J		.WASHER-UNDER NUT	A-BH, BP-EF ,EM,E Q-EZ, HY-JV	2
65	H52732-3CD		.NUT- (V15653) (SPEC BACN10YR3CD) (OPT PLH53CD (V62554))	A-BH, BP-EF ,EM,E Q-EZ, HY-JV	2

# 32-11-20

 ILLUSTRATED PARTS LIST  
 01.1 Page 1070L  
 Nov 01/05

FIG. & ITEM	PART NO.	AIRLINE PART NUMBER	NOMENCLATURE 1234567	EFF CODE	QTY PER ASSY
12-70	284T0540-3		.BRACKET-MTG (ITEM 70 TOGETHER WITH ITEM 40 AND ITEM 70 IS OPTIONAL TO ITEM 75 TOGETHER WITH ITEM 45.)	A-BH, BP-EF ,EM,E Q-EZ, HY-JV	1
75	284T0540-6		.BRACKET-MTG (ITEM 70 TOGETHER WITH ITEM 40 AND ITEM 70 IS OPTIONAL TO ITEM 75 TOGETHER WITH ITEM 45.)	A-BH, BP-EF ,EM,E Q-EZ, HY-JV	1
80	284T0857-1		.SPACER	A-BH, BP-EF ,EM,E Q-EZ, HY-JV	1
85	BAC27TEX1137		.MARKER-ALUMINUM FOIL-S258	A-BH, BP-BZ ,HY-J J	1
90	BAC27TEX1138		.MARKER-ALUMINUM FOIL-S262	CA-EF ,EM,E Q-EZ, JK-JV	1
95	BAC27TEX1139		.MARKER-ALUMINUM FOIL-S236	A-BH, BP-BZ ,HY-J J	1
100	BAC27TEX1140		.MARKER-ALUMINUM FOIL-S240	CA-EF ,EM,E Q-EZ, JK-JV	1

- Item Not Illustrated

**32-11-20**

FIG. & ITEM	PART NO.	AIRLINE PART NUMBER	NOMENCLATURE 1234567	EFF CODE	QTY PER ASSY
13-					
-1A	161T1000-153		DELETED		
-1B	161T1000-155		DELETED		
-1C	161T1000-157		DELETED		
-1D	161T1000-163		DELETED		
-1E	161T1000-165		DELETED		
-1F	161T1000-177		DELETED		
-1G	161T1000-185		DELETED		
-1H	161T1000-189		DELETED		
-1J	161T1000-207		DELETED		
-1K	161T1000-209		DELETED		
-1L	161T1000-211		DELETED		
-1M	161T1000-213		DELETED		
-1N	161T1000-215		DELETED		
-1P	161T1000-217		DELETED		
-1Q	161T1000-219		DELETED		
-1R	161T1000-237		DELETED		
-1S	161T1000-247		DELETED		
-1T	161T1000-249		DELETED		
-1U	161T1000-253		DELETED		
-1V	161T1000-255		DELETED		
-1W	161T1000-291		DELETED		
-1X	161T1000-293		DELETED		
-1Y	161T1000-303		DELETED		
-1Z	161T1000-327		DELETED		
-2	161T1000-333		DELETED		
-2A	161T1000-335		DELETED		
-2B	161T1000-337		DELETED		
-2C	161T1000-341		DELETED		
-2D	161T1000-347		DELETED		
-2E	161T1000-381		DELETED		
-2F	161T1000-385		DELETED		
-2G	161T1000-391		DELETED		
-2H	161T1000-397		DELETED		
-2J	161T1000-399		DELETED		
-2K	161T1000-601		DELETED		
-2L	161T1000-605		DELETED		
-2M	161T1000-613		DELETED		
-2N	161T1000-621		DELETED		
-2P	161T1000-623		DELETED		
-2Q	161T1000-625		DELETED		
-2R	161T1000-629		DELETED		
-2S	161T1000-631		DELETED		
-2T	161T1000-633		DELETED		
-2U	161T1000-643		DELETED		
-2V	161T1000-653		DELETED		

# 32-11-20

 ILLUSTRATED PARTS LIST  
 01.1 Page 1070N  
 Nov 01/05

FIG. & ITEM	PART NO.	AIRLINE PART NUMBER	NOMENCLATURE 1234567	EFF CODE	QTY PER ASSY
13-					
-2W	161T1000-655		DELETED		
-2X	161T1000-659		DELETED		
-2Y	161T1000-661		DELETED		
-2Z	161T1000-663		DELETED		
-3	161T1000-665		DELETED		
-3A	161T1000-671		DELETED		
-3B	161T1000-683		DELETED		
-3C	161T1000-705		DELETED		
-3D	161T1000-707		DELETED		
-3E	161T1000-709		DELETED		
-3F	161T1000-711		DELETED		
9	NAS6704HU4		DELETED		
12	AN960-416		DELETED		
15	161T1306-2		DELETED		
18	161T1305-2		DELETED		
21	161T1301-1		DELETED		
24	161T1302-1		DELETED		
27	161T1301-2		DELETED		
30	161T1303-5		DELETED		
30A	161T1303-7		DELETED		
33	1992B		DELETED		
36	161T1304-3		DELETED		
39	161T1303-6		DELETED		
-39A	161T1303-8		DELETED		
42	161T1174-1		DELETED		
45	161T1174-2		DELETED		
			ATTACHING PARTS		
48	NAS6712-43		DELETED		
51	NAS6712-47		DELETED		
54	AN960C1216		DELETED		
57	H10-12BAC		DELETED		
60	NAS6714-43		DELETED		

**32-11-20**

FIG. & ITEM	PART NO.	AIRLINE PART NUMBER	NOMENCLATURE 1234567	EFF CODE	QTY PER ASSY
13-					
63	NAS6714-51		DELETED		
66	AN960C1416		DELETED		
69	H10-14BAC		DELETED		
72	161T6041-1		DELETED		
75	161T1210-23		DELETED		
78	161T1210-24		DELETED		
81	161T1174-3		DELETED		
84	161T1174-4		DELETED		
87	113T8222-1		DELETED		
90	BACB28AM09B020A		DELETED		
93	BACB28AP06P020		DELETED		
96	113T8222-3		DELETED		
99	161T1307-5		DELETED		
102	BACB28X6M025		DELETED		
105	BACB28X9M025		DELETED		
108	161T1307-6		DELETED		
111	AN960C1616		DELETED		
-111A	AN960-1616		DELETED		
114	AN960C1616L		DELETED		
-114A	AN960-1616L		DELETED		
117	RMTE9868-16		DELETED		
-117A	56287M1612		DELETED		
120	287T6111-5		DELETED		
123	287T6111-7		DELETED		
126	MS24665-359		DELETED		
129	MS24665-360		DELETED		
132	161T1172-1		DELETED		
-132A	161T1172-5		DELETED		
-132B	161T1172-1		DELETED		
-132C	161T1172-5		DELETED		
135	NAS6714D54		DELETED		
138	AN960C1416		DELETED		
141	H10-14BAC		DELETED		
144	161T1307-4		DELETED		
147	AN960C1616		DELETED		
-147A	AN960-1616		DELETED		
150	AN960C1616L		DELETED		
-150A	AN960-1616L		DELETED		
153	RMTE9868-16		DELETED		
-153A	56287M1612		DELETED		
156	1728B		DELETED		
159	161T1210-5		DELETED		
162	161T1210-18		DELETED		

# 32-11-20

 ILLUSTRATED PARTS LIST  
 01.1 Page 1070P  
 Nov 01/05

FIG. & ITEM	PART NO.	AIRLINE PART NUMBER	NOMENCLATURE 1234567	EFF CODE	QTY PER ASSY
13-					
165	161T1210-29		DELETED		
168	161T1210-30		DELETED		
171	161T1172-3		DELETED		
-171A	161T1172-7		DELETED		
174	MS24665-359		DELETED		
177	MS24665-360		DELETED		
180	161T1173-1		DELETED		
-180A	161T1173-5		DELETED		
-180B	161T1173-1		DELETED		
-180C	161T1173-5		DELETED		
183	NAS6714D54		DELETED		
186	AN960C1416		DELETED		
189	H10-14BAC		DELETED		
192	1728B		DELETED		
195	161T1210-5		DELETED		
198	161T1210-18		DELETED		
201	161T1210-44		DELETED		
204	161T1210-45		DELETED		
207	161T1173-3		DELETED		
-207A	161T1173-7		DELETED		
210	161T2008-1		DELETED		
-210A	161T2008-3		DELETED		
-210B	161T2008-5		DELETED		
213	NAS6604-12		DELETED		
216	AN960-416		DELETED		
219	BACN10JC4		DELETED		
222	161T2015-1		DELETED		
225	65B05457-2		DELETED		
228	1992B		DELETED		
231	161T6040-11		DELETED		
234	161T2049-1		DELETED		
237	161T2008-2		DELETED		
-237A	161T2008-4		DELETED		
-237B	161T2008-6		DELETED		
240	161T6005-1		DELETED		
-240A	161T6005-3		DELETED		
-240B	161T6005-3		DELETED		
243	NAS6604-17		DELETED		
246	AN960-416		DELETED		
249	BACN10JC4		DELETED		
252	161T6019-1		DELETED		
255	161T6020-1		DELETED		
258	1728B		DELETED		
261	161T6038-1		DELETED		
264	161T6044-1		DELETED		

**32-11-20**



FIG. & ITEM	PART NO.	AIRLINE PART NUMBER	NOMENCLATURE 1234567	EFF CODE	QTY PER ASSY
13-					
267	161T6005-2		DELETED		
-267A	161T6005-4		DELETED		
270	MS24665-359		DELETED		
273	161T1183-1		DELETED		
276	1728B		DELETED		
279	161T1183-2		DELETED		
282	162T2015-5		DELETED		
285	H10-14BAC		DELETED		
288	NH1005202-10		DELETED		
-288A	NH1005380-10		DELETED		
-288B	VC1297		DELETED		
-288C	VC1296-875		DELETED		
291	161T1000-84		DELETED		
294	161T1211-10		DELETED		
-294A	161T1211-13		DELETED		
297	NAS6603H2		DELETED		
300	161T1207-1		DELETED		
303	161T1211-12		DELETED		
-303A	161T1211-11		DELETED		
-303B	161T1211-14		DELETED		
-303C	161T1211-15		DELETED		
306	NAS1352C08H10		DELETED		
309	161T1223-1		DELETED		
312	78529		DELETED		
-312A	84490-1		DELETED		
315	161T1220-1		DELETED		
-315A	161T1220-2		DELETED		
318	161T1000-83		DELETED		
321	161T1000-82		DELETED		
324	NAS6603H2		DELETED		

# 32-11-20

 ILLUSTRATED PARTS LIST  
 01.1 Page 1070R  
 Nov 01/05

FIG. & ITEM	PART NO.	AIRLINE PART NUMBER	NOMENCLATURE 1234567	EFF CODE	QTY PER ASSY
13-					
327	161T1222-1		DELETED		
330	161T1221-1		DELETED		
-330A	161T1221-3		DELETED		
-330B	161T1221-3		DELETED		
333	140-025-1		DELETED		
-333A	140-025-2		DELETED		
336	77-395		DELETED		
339	NAS6604-10		DELETED		
342	AN960-416		DELETED		
345	BACN10JC4		DELETED		
348	161T1206-9		DELETED		
-348A	161T1206-7		DELETED		
351	161T1209-1		DELETED		
354	161T1204-1		DELETED		
357	161T1203-2		DELETED		
360	161T1000-73		DELETED		
-360A	161T1000-55		DELETED		
-360B	161T1000-75		DELETED		
-360C	161T1000-76		DELETED		
-360D	161T1000-80		DELETED		
363	161T1204-1		DELETED		
366	161T1203-2		DELETED		
369	10-44		DELETED		
372	032-863-1		DELETED		
-372A	APS01410B		DELETED		
-372B	APS01410B		DELETED		
-372C	APS01410B		DELETED		
-372D	039-807		DELETED		
-372E	APS06005		DELETED		
-372F	APS06007		DELETED		

**32-11-20**

ILLUSTRATED PARTS LIST  
01.1 Page 1070S  
Nov 01/05

FIG. & ITEM	PART NO.	AIRLINE PART NUMBER	NOMENCLATURE 1234567	EFF CODE	QTY PER ASSY
13-					
375	2608811-3		DELETED		
-375A	2606741-1		DELETED		
378	2606169-14		DELETED		
381	2606950		DELETED		
-381A	2608765		DELETED		
384	161T1202-1		DELETED		
-384A	161T1202-2		DELETED		
387	161T1201-1		DELETED		
-387A	161T1201-3		DELETED		
-387B	161T1201-4		DELETED		
390	161T1019-1		DELETED		
-390A	161T1019-2		DELETED		
393	MS24665-287		DELETED		
396	NAS6606D68		DELETED		
-396A	NAS6706D68		DELETED		
-396B	BACB30UU6K68D		DELETED		
-396C	BACB30LT6DK68		DELETED		
399	AN960-616		DELETED		
402	161T1021-1		DELETED		
405	161T1020-1		DELETED		
408	NAS1802-3D10		DELETED		
-408A	NAS1801-3D10		DELETED		
411	BACN10JC6		DELETED		
-411A	MS14145L6		DELETED		
-411B	H52732-6CD		DELETED		
414	BACB30LJ5D41		DELETED		
-414A	NAS6705D41		DELETED		
417	BACW10DS5TS		DELETED		
-417A	BACW10BN5SC		DELETED		
420	NAS1149F0563P		DELETED		
423	MS14145L5		DELETED		
426	MS24665-155		DELETED		
429	161T1025-1		DELETED		
432	161T1219-1		DELETED		
-432A	161T1219-2		DELETED		
435	161T1024-1		DELETED		
-435A	161T1024-3		DELETED		
438	161T1212-1		DELETED		
441	161T1201-2		DELETED		
444	66-18544-1		DELETED		
447	MS35333-42		DELETED		
450	AN960-616		DELETED		
453	52NE066		DELETED		
-453A	MS51922-17		DELETED		
-453B	MS21044-616		DELETED		

# 32-11-20

 ILLUSTRATED PARTS LIST  
 01.1 Page 1070T  
 Nov 01/05

FIG. & ITEM	PART NO.	AIRLINE PART NUMBER	NOMENCLATURE 1234567	EFF CODE	QTY PER ASSY
13-					
456	161T1310-1		DELETED		
459	NAS6604-22		DELETED		
462	AN960-416		DELETED		
465	BACN10JC4		DELETED		
468	BACR15FT5KE		DELETED		
471	161T1311-2		DELETED		
474	BACR15FT5KE		DELETED		
477	161T1311-7		DELETED		
480	161T1311-8		DELETED		
483	161T1311-1		DELETED		
486	2607092-1		DELETED		
-486A	2608812-2		DELETED		
-486B	2607092-3		DELETED		
-486C	2608812-2		DELETED		
-486D	2608812-4		DELETED		
-486E	2608812-4		DELETED		
-489	165T0000-1		DELETED		
-492	161T1000-5001		DELETED		
-492A	161T1000-5002		DELETED		
-492B	161T1000-5005		DELETED		
-492C	161T1000-5006		DELETED		
-492D	161T1000-5007		DELETED		
-492E	161T1000-5008		DELETED		
-495	161T1000-5017		DELETED		
-495A	161T1000-5018		DELETED		
-501	165T0000-1		DELETED		
-504	161T1000-5021		DELETED		
-504A	161T1000-5025		DELETED		
-504B	161T1000-5033		DELETED		
-504C	161T1000-5019		DELETED		
510	NAS6604-10		DELETED		
513	AN960C416L		DELETED		
516	BACN10JC4		DELETED		
519	161T1311-13		DELETED		
522	161T1230-5		DELETED		
525	AN960C416L		DELETED		
528	MBC68941-820		DELETED		
531	MBB69260-1170		DELETED		
534	7355		DELETED		
-534A	8412		DELETED		
537	161T1100-61		DELETED		
-537A	161T1100-85		DELETED		
-537B	161T1100-69		DELETED		
-537C	161T1100-91		DELETED		
-537D	161T1100-93		DELETED		

**32-11-20**

FIG. & ITEM	PART NO.	AIRLINE PART NUMBER	NOMENCLATURE 1234567	EFF CODE	QTY PER ASSY
13-					
-537E	161T1100-97		DELETED		
-537F	161T1100-101		DELETED		
-537G	161T1100-105		DELETED		
-537H	161T1100-109		DELETED		
-537J	161T1100-159		DELETED		
-537K	161T1100-163		DELETED		
-537L	161T1100-177		DELETED		
-537M	161T1100-179		DELETED		
-537N	161T1100-183		DELETED		
-537P	161T1100-139		DELETED		
-537Q	161T1100-141		DELETED		
-537R	161T1100-147		DELETED		
-537S	161T1100-205		DELETED		
-537T	161T1100-207		DELETED		
-537U	161T1100-223		DELETED		
-537V	161T1100-227		DELETED		
-537W	61T1100-229		DELETED		
-537X	161T1100-229		DELETED		
-537Y	161T1100-237		DELETED		
-537Z	161T1100-233		DELETED		
-538	161T1100-235		DELETED		
-538A	161T1100-243		DELETED		
-538B	161T1100-251		DELETED		
-538C	161T1100-265		DELETED		
-538D	161T1100-267		DELETED		
-538E	161T1100-271		DELETED		
-538F	161T1100-273		DELETED		
-538G	161T1100-283		DELETED		
-538H	161T1100-111		DELETED		
-538J	161T1100-121		DELETED		
-538K	161T1100-123		DELETED		
-538L	161T1100-125		DELETED		
-543	272T6100-1		DELETED		
-546	287T0000-5		DELETED		
-549	284T6100-3		DELETED		
552	NAS6604-4		DELETED		
555	AN960PD416		DELETED		
558	161T1310-2		DELETED		
561	BACR15BA3AD		DELETED		
564	BRFM20A4		DELETED		
567	MT65S428SK1		DELETED		
570	287T6111-17		DELETED		
573	BACR15FT5KE		DELETED		
576	BACR15BA3AD		DELETED		
579	T8097S3K		DELETED		

# 32-11-20

 ILLUSTRATED PARTS LIST  
 01.1 Page 1070V  
 Nov 01/05

FIG. & ITEM	PART NO.	AIRLINE PART NUMBER	NOMENCLATURE 1234567	EFF CODE	QTY PER ASSY
13-					
582	287T6111-19		DELETED		
585	161T1310-5		DELETED		
588	BACR15FT5KE		DELETED		
591	161T1311-12		DELETED		
594	161T1311-10		DELETED		
597	161T1310-3		DELETED		
600	BACR15BA3AD		DELETED		
603	MT65S428SK1		DELETED		
606	287T6111-17		DELETED		
609	BACR15FT5KE		DELETED		
612	BACR15BA3AD		DELETED		
615	T8097S3K		DELETED		
618	287T6111-19		DELETED		
621	161T1310-5		DELETED		
624	BACR15FT5KE		DELETED		
627	161T1311-11		DELETED		
630	161T1311-12		DELETED		
633	161T1311-10		DELETED		
636	NAS6604H4		DELETED		
639	AN960PD416		DELETED		
642	161T1246-1		DELETED		
-642A	161T1246-3		DELETED		
645	161T1207-1		DELETED		
648	MS21209F4-15		DELETED		
651	161T1246-2		DELETED		
-651A	161T1246-4		DELETED		
654	161T1240-5		DELETED		
657	BACB30NT3K1		DELETED		
660	AN960JD10LL		DELETED		
663	69B83395-1		DELETED		

**32-11-20**

ILLUSTRATED PARTS LIST  
01.1 Page 1070W  
Nov 01/05

FIG. & ITEM	PART NO.	AIRLINE PART NUMBER	NOMENCLATURE 1234567	EFF CODE	QTY PER ASSY
13-					
666	NAS6603H25		DELETED		
669	AN960JD10LL		DELETED		
672	161T1240-6		DELETED		
675	HL10VAZ6-3		DELETED		
678	HL79-6		DELETED		
681	161T1244-2		DELETED		
684	BACR15BB5AD		DELETED		
687	161T1243-3		DELETED		
690	161T1241-1		DELETED		
-690A	161T1241-3		DELETED		
693	MS21209F1-15		DELETED		
-693A	MS21209F1-10P		DELETED		
696	161T1241-2		DELETED		
-696A	161T1241-4		DELETED		
699	161T1248-1		DELETED		
702	161T1248-2		DELETED		
705	LL106KSG20		DELETED		
-705A	SK0771-1		DELETED		
-705B	9106NPPFS464		DELETED		
708	69B83394-2		DELETED		
711	69B83396-2		DELETED		
-711A	69B83396-3		DELETED		
714	NAS6603H2		DELETED		
717	65B84414-4		DELETED		
720	MS21209F1-15		DELETED		
723	65B84414-5		DELETED		
726	161T1245-1		DELETED		
729	75984		DELETED		
732	NAS1352C08H10		DELETED		
735	161T1223-1		DELETED		

# 32-11-20

 ILLUSTRATED PARTS LIST  
 01.1 Page 1070X  
 Nov 01/05

FIG. & ITEM	PART NO.	AIRLINE PART NUMBER	NOMENCLATURE	EFF CODE	QTY PER ASSY
			1234567		
13-738	161T1220-1		DELETED		
741	78529		DELETED		
-741A	84490-1		DELETED		

- Item Not Illustrated

**32-11-20**

ILLUSTRATED PARTS LIST  
01.1 Page 1070Y  
Nov 01/05



FIG. & ITEM	PART NO.	AIRLINE PART NUMBER	NOMENCLATURE 1234567	EFF CODE	QTY PER ASSY
14-					
-1A	161T1000-685		DELETED		
-1B	161T1000-687		DELETED		
-1C	161T1000-689		DELETED		
-1D	161T1000-691		DELETED		
-1E	161T1000-693		DELETED		
-1F	161T1000-695		DELETED		
-1G	161T1000-697		DELETED		
-1H	161T1000-699		DELETED		
-1J	161T1000-701		DELETED		
-1K	161T1000-703		DELETED		
5	NAS6704HU4		DELETED		
10	AN960-416		DELETED		
15	161T1305-2		DELETED		
20	161T1301-1		DELETED		
25	161T1302-1		DELETED		
30	161T1301-2		DELETED		
35	161T1174-1		DELETED		
40	161T1174-2		DELETED		
45	NAS6712-43		DELETED		
50	NAS6712-47		DELETED		
55	AN960C1216		DELETED		
60	H10-12BAC		DELETED		
65	NAS6714-43		DELETED		
70	NAS6714-51		DELETED		
75	AN960C1416		DELETED		
80	H10-14BAC		DELETED		
85	161T6041-1		DELETED		
90	161T1210-23		DELETED		
95	161T1210-24		DELETED		
100	161T1174-3		DELETED		
105	161T1174-4		DELETED		
110	113T8222-1		DELETED		
115	BACB28AM09B020A		DELETED		
120	BACB28AP06P020		DELETED		
125	113T8222-3		DELETED		
130	161T1307-5		DELETED		
135	BACB28X6M025		DELETED		
140	BACB28X9M025		DELETED		
145	161T1307-6		DELETED		
150	AN960-1616		DELETED		

# 32-11-20

 ILLUSTRATED PARTS LIST  
 01.1 Page 1070Z  
 Nov 01/05

FIG. & ITEM	PART NO.	AIRLINE PART NUMBER	NOMENCLATURE 1234567	EFF CODE	QTY PER ASSY
14-					
-150A	AN960C1616		DELETED		
155	AN960-1616L		DELETED		
-155A	AN960C1616L		DELETED		
160	RMTE9868-16		DELETED		
-160A	56287M1612		DELETED		
165	287T6111-5		DELETED		
170	287T6111-7		DELETED		
175	MS24665-359		DELETED		
180	MS24665-360		DELETED		
185	161T1172-5		DELETED		
190	NAS6714D54		DELETED		
195	AN960C1416		DELETED		
200	H10-14BAC		DELETED		
205	161T1307-4		DELETED		
210	AN960-1616		DELETED		
-210A	AN960C1616		DELETED		
215	AN960-1616L		DELETED		
-215A	AN960C1616L		DELETED		
220	RMTE9868-16		DELETED		
-220A	56287M1612		DELETED		
225	1728B		DELETED		
230	161T1210-5		DELETED		
235	161T1210-18		DELETED		
240	161T1210-29		DELETED		
245	161T1210-30		DELETED		
250	161T1172-7		DELETED		
255	MS24665-359		DELETED		
260	MS24665-360		DELETED		
265	161T1173-5		DELETED		
270	NAS6714D54		DELETED		
275	AN960C1416		DELETED		
280	H10-14BAC		DELETED		
285	1728B		DELETED		
290	161T1210-5		DELETED		
295	161T1210-18		DELETED		
300	161T1210-44		DELETED		
305	161T1210-45		DELETED		
310	161T1173-7		DELETED		
315	161T2008-1		DELETED		
-315A	161T2008-3		DELETED		
-315B	161T2008-5		DELETED		
320	NAS6604-12		DELETED		
325	AN960-416		DELETED		
330	BACN10JC4		DELETED		
335	161T2015-1		DELETED		

**32-11-20**

ILLUSTRATED PARTS LIST  
01.1 Page 1071  
Nov 01/05

FIG. & ITEM	PART NO.	AIRLINE PART NUMBER	NOMENCLATURE 1234567	EFF CODE	QTY PER ASSY
14-					
340	65B05457-2		DELETED		
345	1992B		DELETED		
350	161T6040-11		DELETED		
355	161T2049-1		DELETED		
360	161T2008-2		DELETED		
-360A	161T2008-4		DELETED		
-360B	161T2008-6		DELETED		
365	161T6005-1		DELETED		
-365A	161T6005-3		DELETED		
-365B	161T6005-3		DELETED		
370	NAS6604-17		DELETED		
375	AN960-416		DELETED		
380	BACN10JC4		DELETED		
385	161T6019-1		DELETED		
390	161T6020-1		DELETED		
395	1728B		DELETED		
400	161T6038-1		DELETED		
405	61T6044-1		DELETED		
410	161T6005-2		DELETED		
-410A	161T6005-4		DELETED		
415	MS24665-359		DELETED		
420	161T1183-1		DELETED		
425	1728B		DELETED		
430	161T1183-2		DELETED		
435	162T2015-5		DELETED		
440	H10-14BAC		DELETED		
445	NAS6604-10		DELETED		
450	AN960-416		DELETED		
455	BACN10JC4		DELETED		
460	161T1204-1		DELETED		

# 32-11-20

 ILLUSTRATED PARTS LIST  
 01.1 Page 1072  
 Nov 01/05

FIG. & ITEM	PART NO.	AIRLINE PART NUMBER	NOMENCLATURE 1234567	EFF CODE	QTY PER ASSY
14-					
465	161T1203-2		DELETED		
470	161T1202-1		DELETED		
-470A	161T1202-2		DELETED		
475	161T1201-1		DELETED		
475A	161T1201-3		DELETED		
475B	161T1201-4		DELETED		
480	161T1019-1		DELETED		
-480A	161T1019-2		DELETED		
485	MS24665-287		DELETED		
490	AN960-616		DELETED		
495	161T1021-1		DELETED		
500	161T1020-1		DELETED		
505	NAS1802-3D10		DELETED		
-505A	NAS1801-3D10		DELETED		
510	BACB30LJ5D41		DELETED		
-510A	NAS6705D41		DELETED		
515	BACW10DS5TS		DELETED		
-515A	BACW10BN5SC		DELETED		
520	NAS1149F0563P		DELETED		
525	MS14145L5		DELETED		
530	MS24665-155		DELETED		
535	161T1025-1		DELETED		
540	161T1219-1		DELETED		
540A	161T1219-2		DELETED		
545	161T1024-1		DELETED		
545A	161T1024-3		DELETED		
550	161T1212-1		DELETED		
555	161T1201-2		DELETED		
560	66-18544-1		DELETED		
565	MS35333-42		DELETED		

32-11-20

FIG. & ITEM	PART NO.	AIRLINE PART NUMBER	NOMENCLATURE 1234567	EFF CODE	QTY PER ASSY
14-					
570	AN960-616		DELETED		
575	52NE066		DELETED		
-575A	MS51922-17		DELETED		
-575B	MS21044-616		DELETED		
580	161T1310-1		DELETED		
585	NAS6604-22		DELETED		
590	AN960-416		DELETED		
595	BACN10JC4		DELETED		
600	BACR15FT5KE		DELETED		
605	161T1311-2		DELETED		
610	BACR15FT5KE		DELETED		
615	161T1311-7		DELETED		
620	161T1311-8		DELETED		
625	161T1311-1		DELETED		
-630	165T0000-1		DELETED		
-635	161T1000-5031		DELETED		
-635A	161T1000-5087		DELETED		
-635B	161T1000-5111		DELETED		
-635C	161T1000-5091		DELETED		
-635D	161T1000-5099		DELETED		
-635E	161T1000-5103		DELETED		
-635F	161T1000-5108		DELETED		
-635G	161T1000-5095		DELETED		
-635H	161T1000-5123		DELETED		
-635J	161T1000-5121		DELETED		
-635K	161T1000-5129		DELETED		
-635L	161T1000-5029		DELETED		
-635M	161T1000-5065		DELETED		
-635N	161T1000-5069		DELETED		
-635P	161T1000-5071		DELETED		
-635Q	161T1000-5113		DELETED		
-635R	161T1000-5117		DELETED		
-635S	161T1000-5127		DELETED		
-635T	161T1000-5133		DELETED		
-635U	161T1000-5135		DELETED		
-635V	161T1000-5137		DELETED		
-635W	161T1000-5077		DELETED		
-635X	161T1000-5079		DELETED		
-635Y	161T1000-5125		DELETED		
-635Z	161T1000-5131		DELETED		

# 32-11-20

 ILLUSTRATED PARTS LIST  
 01.1 Page 1072B  
 Nov 01/05

FIG. & ITEM	PART NO.	AIRLINE PART NUMBER	NOMENCLATURE 1234567	EFF CODE	QTY PER ASSY
14-					
-636	161T1000-5085		DELETED		
-636A	161T1000-5073		DELETED		
-636B	161T1000-5075		DELETED		
-636C	161T1000-5119		DELETED		
-636D	161T1000-5107		DELETED		
-636E	161T1000-5093		DELETED		
-636F	161T1000-5089		DELETED		
-636G	161T1000-5097		DELETED		
-636H	161T1000-5115		DELETED		
640	NAS6604-10		DELETED		
645	AN960C416L		DELETED		
650	BACN10JC4		DELETED		
655	161T1311-13		DELETED		
660	161T1230-5		DELETED		
665	AN960C416L		DELETED		
670	MBC68941-820		DELETED		
675	MBB69260-1170		DELETED		
680	7355		DELETED		
-680A	8412		DELETED		
685	272T6100-1		DELETED		
690	287T0000-5		DELETED		
695	284T6100-3		DELETED		
700	NAS6604-4		DELETED		
705	AN960PD416		DELETED		
710	161T1310-2		DELETED		
715	BACR15BA3AD		DELETED		
720	BRFM20A4		DELETED		
725	MT65S428SK1		DELETED		
730	287T6111-17		DELETED		
735	BACR15FT5KE		DELETED		
740	BACR15BA3AD		DELETED		
745	T8097S3K		DELETED		
750	287T6111-19		DELETED		
755	161T1310-5		DELETED		
760	BACR15FT5KE		DELETED		
765	161T1311-12		DELETED		
770	161T1311-10		DELETED		
775	161T1310-3		DELETED		
780	BACR15BA3AD		DELETED		
785	MT65S428SK1		DELETED		
790	287T6111-17		DELETED		
795	BACR15FT5KE		DELETED		
800	BACR15BA3AD		DELETED		
805	T8097S3K		DELETED		
810	287T6111-19		DELETED		

**32-11-20**

FIG. & ITEM	PART NO.	AIRLINE PART NUMBER	NOMENCLATURE	EFF CODE	QTY PER ASSY
			1234567		
14-815	161T1310-5		DELETED		
820	BACR15FT5KE		DELETED		
825	161T1311-11		DELETED		
830	161T1311-12		DELETED		
835	161T1311-10		DELETED		

- Item Not Illustrated

**32-11-20**

ILLUSTRATED PARTS LIST  
 01.1 Page 1072D  
 Nov 01/05

FIG. & ITEM	PART NO.	AIRLINE PART NUMBER	NOMENCLATURE 1234567	EFF CODE	QTY PER ASSY
15-					
-1A	161T1000-154		DELETED		
-1B	161T1000-156		DELETED		
-1C	161T1000-158		DELETED		
-1D	161T1000-164		DELETED		
-1E	161T1000-166		DELETED		
-1F	161T1000-178		DELETED		
-1G	161T1000-186		DELETED		
-1H	161T1000-190		DELETED		
-1J	161T1000-208		DELETED		
-1K	161T1000-210		DELETED		
-1L	161T1000-212		DELETED		
-1M	161T1000-214		DELETED		
-1N	161T1000-216		DELETED		
-1P	161T1000-218		DELETED		
-1Q	161T1000-220		DELETED		
-1R	161T1000-250		DELETED		
-1S	161T1000-254		DELETED		
-1T	161T1000-256		DELETED		
-1U	161T1000-292		DELETED		
-1V	161T1000-294		DELETED		
-1W	161T1000-304		DELETED		
-1X	161T1000-328		DELETED		
-1Y	161T1000-334		DELETED		
-1Z	161T1000-336		DELETED		
-2	161T1000-338		DELETED		
-2A	161T1000-342		DELETED		
-2B	161T1000-348		DELETED		
-2C	161T1000-382		DELETED		
-2D	161T1000-386		DELETED		
-2E	161T1000-392		DELETED		
-2F	161T1000-398		DELETED		
-2G	161T1000-400		DELETED		
-2H	161T1000-602		DELETED		
-2J	161T1000-606		DELETED		
-2K	161T1000-614		DELETED		
-2L	161T1000-622		DELETED		
-2M	161T1000-624		DELETED		
-2N	161T1000-626		DELETED		
-2P	161T1000-630		DELETED		
-2Q	161T1000-632		DELETED		
-2R	161T1000-634		DELETED		
-2S	161T1000-644		DELETED		
-2T	161T1000-654		DELETED		
-2U	161T1000-656		DELETED		
-2V	161T1000-660		DELETED		

**32-11-20**



FIG. & ITEM	PART NO.	AIRLINE PART NUMBER	NOMENCLATURE 1234567	EFF CODE	QTY PER ASSY
15-					
-2W	161T1000-662		DELETED		
-2X	161T1000-664		DELETED		
-2Y	161T1000-666		DELETED		
-2Z	161T1000-672		DELETED		
-3	161T1000-684		DELETED		
-3A	161T1000-706		DELETED		
-3B	161T1000-708		DELETED		
-3C	161T1000-710		DELETED		
-3D	161T1000-712		DELETED		
9	NAS6704HU4		DELETED		
12	AN960-416		DELETED		
15	161T1306-2		DELETED		
18	161T1305-2		DELETED		
21	161T1301-1		DELETED		
24	161T1302-1		DELETED		
27	161T1301-2		DELETED		
30	161T1303-5		DELETED		
30A	161T1303-7		DELETED		
33	1992B		DELETED		
36	161T1304-3		DELETED		
39	161T1303-6		DELETED		
-39A	161T1303-8		DELETED		
42	161T1174-1		DELETED		
45	161T1174-2		DELETED		
48	NAS6712-43		DELETED		
51	NAS6712-47		DELETED		
54	AN960C1216		DELETED		
57	H10-12BAC		DELETED		
60	NAS6714-43		DELETED		
63	NAS6714-51		DELETED		

# 32-11-20

 ILLUSTRATED PARTS LIST  
 01.1 Page 1072F  
 Nov 01/05

FIG. & ITEM	PART NO.	AIRLINE PART NUMBER	NOMENCLATURE 1234567	EFF CODE	QTY PER ASSY
15-					
66	AN960C1416		DELETED		
69	H10-14BAC		DELETED		
72	161T6041-1		DELETED		
75	161T1210-23		DELETED		
78	161T1210-24		DELETED		
81	161T1174-3		DELETED		
84	161T1174-4		DELETED		
-87	113T8222-2		DELETED		
90	BACB28AM09B020A		DELETED		
93	BACB28AP06P020		DELETED		
-96	113T8222-4		DELETED		
99	161T1307-5		DELETED		
102	BACB28X6M025		DELETED		
105	BACB28X9M025		DELETED		
108	161T1307-6		DELETED		
111	AN960-1616		DELETED		
-111A	AN960C1616		DELETED		
114	AN960-1616L		DELETED		
-114A	AN960C1616L		DELETED		
117	RMTE9868-16		DELETED		
-117A	56287M1612		DELETED		
-120	287T6111-6		DELETED		
-123	287T6111-8		DELETED		
126	MS24665-359		DELETED		
129	MS24665-360		DELETED		
-132	161T1172-2		DELETED		
-132A	161T1172-6		DELETED		
-132B	161T1172-2		DELETED		
-132C	161T1172-6		DELETED		
135	NAS6714D54		DELETED		

**32-11-20**

FIG. & ITEM	PART NO.	AIRLINE PART NUMBER	NOMENCLATURE 1234567	EFF CODE	QTY PER ASSY
15-					
138	AN960C1416		DELETED		
141	H10-14BAC		DELETED		
144	161T1307-4		DELETED		
147	AN960-1616		DELETED		
-147A	AN960C1616		DELETED		
150	AN960-1616L		DELETED		
-150A	AN960C1616L		DELETED		
			ATTACHING PARTS		
153	RMTE9868-16		DELETED		
-153A	56287M1612		DELETED		
156	1728B		DELETED		
159	161T1210-5		DELETED		
162	161T1210-18		DELETED		
165	161T1210-29		DELETED		
168	161T1210-30		DELETED		
-174	161T1172-4		DELETED		
-174A	161T1172-8		DELETED		
177	MS24665-359		DELETED		
180	MS24665-360		DELETED		
-183	161T1173-2		DELETED		
-183A	161T1173-6		DELETED		
-183B	161T1173-2		DELETED		
-183C	161T1173-6		DELETED		
186	NAS6714D54		DELETED		
189	AN960C1416		DELETED		
192	H10-14BAC		DELETED		
195	1728B		DELETED		
198	161T1210-5		DELETED		
201	161T1210-18		DELETED		
204	161T1210-44		DELETED		
207	161T1210-45		DELETED		
-210	161T1173-4		DELETED		
-210A	161T1173-8		DELETED		
-213	161T2008-1		DELETED		
-213A	161T2008-3		DELETED		
-213B	161T2008-5		DELETED		
216	NAS6604-12		DELETED		
219	AN960-416		DELETED		
222	BACN10JC4		DELETED		
225	161T2015-1		DELETED		
228	65B05457-2		DELETED		
231	1992B		DELETED		
234	161T6040-11		DELETED		
237	161T2049-1		DELETED		
240	161T2008-2		DELETED		

# 32-11-20

 ILLUSTRATED PARTS LIST  
 01.1 Page 1072H  
 Nov 01/05

FIG. & ITEM	PART NO.	AIRLINE PART NUMBER	NOMENCLATURE 1234567	EFF CODE	QTY PER ASSY
15-					
-240A	161T2008-4		DELETED		
-240B	161T2008-6		DELETED		
243	161T6005-1		DELETED		
-243A	161T6005-3		DELETED		
-243B	161T6005-3		DELETED		
246	NAS6604-17		DELETED		
249	AN960-416		DELETED		
252	BACN10JC4		DELETED		
255	161T6019-1		DELETED		
258	161T6020-1		DELETED		
261	1728B		DELETED		
264	161T6038-1		DELETED		
267	161T6044-1		DELETED		
270	161T6005-2		DELETED		
-270A	161T6005-4		DELETED		
273	MS24665-359		DELETED		
276	161T1183-1		DELETED		
279	1728B		DELETED		
282	161T1183-2		DELETED		
285	162T2015-5		DELETED		
288	H10-14BAC		DELETED		
291	NH1005202-10		DELETED		
-291A	NH1005380-10		DELETED		
-291B	VC1297		DELETED		
-291C	VC1296-875		DELETED		
294	161T1000-84		DELETED		
297	161T1211-10		DELETED		
-297A	161T1211-13		DELETED		
300	NAS6603H2		DELETED		
303	161T1207-1		DELETED		
306	161T1211-12		DELETED		
-306A	161T1211-11		DELETED		
-306B	161T1211-14		DELETED		
-306C	161T1211-15		DELETED		
309	NAS1352C08H10		DELETED		
312	161T1223-1		DELETED		
315	78529		DELETED		
-315A	84490-1		DELETED		
318	161T1220-1		DELETED		
-318A	161T1220-2		DELETED		
321	161T1000-83		DELETED		
324	161T1000-82		DELETED		
327	NAS6603H2		DELETED		
330	161T1222-1		DELETED		
333	161T1221-1		DELETED		

**32-11-20**

FIG. & ITEM	PART NO.	AIRLINE PART NUMBER	NOMENCLATURE 1234567	EFF CODE	QTY PER ASSY
15-					
-333A	161T1221-3		DELETED		
-333B	161T1221-3		DELETED		
336	140-025-1		DELETED		
-336A	140-025-2		DELETED		
339	77-395		DELETED		
342	NAS6604-10		DELETED		
345	AN960-416		DELETED		
348	BACN10JC4		DELETED		
351	161T1206-9		DELETED		
-351A	161T1206-7		DELETED		
354	161T1209-1		DELETED		
357	161T1204-1		DELETED		
360	161T1203-2		DELETED		
363	161T1000-73		DELETED		
-363A	161T1000-55		DELETED		
-363B	161T1000-75		DELETED		
-363C	161T1000-76		DELETED		
366	161T1204-1		DELETED		
369	161T1203-2		DELETED		
372	10-44		DELETED		
375	032-863-1		DELETED		
-375A	APS01410B		DELETED		
-375B	APS01410B		DELETED		
-375C	APS01410B		DELETED		
-375D	039-807		DELETED		
-375E	APS06005		DELETED		
-375F	APS06007		DELETED		
378	2608811-3		DELETED		
-378A	2606741-1		DELETED		
381	2606169-14		DELETED		

# 32-11-20

 ILLUSTRATED PARTS LIST  
 01.1 Page 1072J  
 Nov 01/05

FIG. & ITEM	PART NO.	AIRLINE PART NUMBER	NOMENCLATURE 1234567	EFF CODE	QTY PER ASSY
15-					
384	2606950		DELETED		
-384A	2608765		DELETED		
387	161T1202-1		DELETED		
-387A	161T1202-2		DELETED		
390	161T1201-1		DELETED		
390A	161T1201-3		DELETED		
390B	161T1201-4		DELETED		
393	161T1019-1		DELETED		
-393A	161T1019-2		DELETED		
396	MS24665-287		DELETED		
399	NAS6606D68		DELETED		
-399A	NAS6706D68		DELETED		
-399B	BACB30UU6K68D		DELETED		
-399C	BACB30LT6DK68		DELETED		
402	AN960-616		DELETED		
405	161T1021-1		DELETED		
408	161T1020-1		DELETED		
411	NAS1802-3D10		DELETED		
-411A	NAS1801-3D10		DELETED		
414	BACN10JC6		DELETED		
-414A	MS14145L6		DELETED		
-414B	H52732-6CD		DELETED		
417	BACB30LJ5D41		DELETED		
-417A	NAS6705D41		DELETED		
420	BACW10DS5TS		DELETED		
-420A	BACW10BN5SC		DELETED		
423	NAS1149F0563P		DELETED		
426	MS14145L5		DELETED		
429	MS24665-155		DELETED		
432	161T1025-1		DELETED		

**32-11-20**

FIG. & ITEM	PART NO.	AIRLINE PART NUMBER	NOMENCLATURE 1234567	EFF CODE	QTY PER ASSY
15-					
435	161T1219-1		DELETED		
435A	161T1219-2		DELETED		
438	161T1024-1		DELETED		
438A	161T1024-3		DELETED		
441	161T1212-1		DELETED		
444	161T1201-2		DELETED		
447	66-18544-1		DELETED		
450	MS35333-42		DELETED		
453	AN960-616		DELETED		
456	52NE066		DELETED		
-456A	MS51922-17		DELETED		
-456B	MS21044-616		DELETED		
459	161T1310-1		DELETED		
462	NAS6604-22		DELETED		
465	AN960-416		DELETED		
468	BACN10JC4		DELETED		
471	BACR15FT5KE		DELETED		
474	161T1311-2		DELETED		
477	BACR15FT5KE		DELETED		
480	161T1311-7		DELETED		
483	161T1311-8		DELETED		
486	161T1311-1		DELETED		
489	2607092-1		DELETED		
-489A	2608812-2		DELETED		
-489B	2607092-3		DELETED		
-489C	2608812-4		DELETED		
-489D	2608812-4		DELETED		
-492	165T0000-1		DELETED		
-495	161T1000-5001		DELETED		
-495A	161T1000-5002		DELETED		
-495B	161T1000-5005		DELETED		
-495C	161T1000-5006		DELETED		
-495D	161T1000-5007		DELETED		
-495E	161T1000-5008		DELETED		
-500	161T1000-5009		DELETED		
-500A	161T1000-5010		DELETED		
-505	165T0000-1		DELETED		
-510	161T1000-5022		DELETED		
-510A	161T1000-5026		DELETED		
-510B	161T1000-5034		DELETED		
-510C	161T1000-5020		DELETED		
516	NAS6604-10		DELETED		
519	AN960C416L		DELETED		
522	BACN10JC4		DELETED		
525	161T1311-13		DELETED		

# 32-11-20

 ILLUSTRATED PARTS LIST  
 01.1 Page 1072L  
 Nov 01/05

FIG. & ITEM	PART NO.	AIRLINE PART NUMBER	NOMENCLATURE 1234567	EFF CODE	QTY PER ASSY
15-					
528	161T1230-5		DELETED		
531	AN960C416L		DELETED		
534	MBC68941-820		DELETED		
537	MBB69260-1170		DELETED		
540	7355		DELETED		
-540A	8412		DELETED		
-543	161T1100-62		DELETED		
-543A	161T1100-86		DELETED		
-543B	161T1100-70		. COMPONENT ASSY- (REF CMM 32-11-30)	CA	1
-543C	161T1100-92		DELETED		
-543D	161T1100-94		DELETED		
-543E	161T1100-98		DELETED		
-543F	161T1100-106		DELETED		
-543G	161T1100-110		DELETED		
-543H	161T1100-124		DELETED		
-543J	161T1100-126		DELETED		
-543K	161T1100-160		DELETED		
-543L	161T1100-164		DELETED		
-543M	161T1100-178		DELETED		
-543N	161T1100-180		DELETED		
-543P	161T1100-184		DELETED		
-543Q	161T1100-188		DELETED		
-543R	161T1100-140		DELETED		
-543S	161T1100-142		DELETED		
-543T	161T1100-148		DELETED		
-543U	161T1100-208		DELETED		
-543V	161T1100-122		DELETED		
-543W	161T1100-224		DELETED		
-543X	161T1100-228		DELETED		
-543Y	161T1100-230		DELETED		
-543Z	161T1100-230		DELETED		
-544	161T1100-238		DELETED		
-544A	161T1100-234		DELETED		
-544B	161T1100-236		DELETED		
-544C	161T1100-244		DELETED		
-544D	161T1100-252		DELETED		
-544E	161T1100-284		DELETED		
-549	272T6100-2		DELETED		
-552	287T0000-6		DELETED		
-555	284T6100-4		DELETED		
558	NAS6604-4		DELETED		
561	AN960PD416		DELETED		

**32-11-20**



FIG. & ITEM	PART NO.	AIRLINE PART NUMBER	NOMENCLATURE 1234567	EFF CODE	QTY PER ASSY
15-					
564	161T1310-2		DELETED		
567	BACR15BA3AD		DELETED		
570	BRFM20A4		DELETED		
573	MT65S428SK1		DELETED		
576	287T6111-17		DELETED		
579	BACR15FT5KE		DELETED		
582	BACR15BA3AD		DELETED		
585	T8097S3K		DELETED		
588	287T6111-19		DELETED		
591	161T1310-5		DELETED		
594	BACR15FT5KE		DELETED		
597	161T1311-12		DELETED		
600	161T1311-10		DELETED		
-603	161T1310-4		DELETED		
606	BACR15BA3AD		DELETED		
609	MT65S428SK1		DELETED		
612	287T6111-17		DELETED		
615	BACR15FT5KE		DELETED		
618	BACR15BA3AD		DELETED		
621	T8097S3K		DELETED		
624	287T6111-19		DELETED		
627	161T1310-5		DELETED		
630	BACR15FT5KE		DELETED		
633	161T1311-11		DELETED		
636	161T1311-12		DELETED		
639	161T1311-10		DELETED		
642	NAS6604H4		DELETED		
645	AN96OPD416		DELETED		
648	161T1246-1		DELETED		
-648A	161T1246-3		DELETED		
651	161T1207-1		DELETED		
654	MS21209F4-15		DELETED		

# 32-11-20

 ILLUSTRATED PARTS LIST  
 01.1 Page 1072N  
 Nov 01/05

FIG. & ITEM	PART NO.	AIRLINE PART NUMBER	NOMENCLATURE 1234567	EFF CODE	QTY PER ASSY
15-					
657	161T1246-2		DELETED		
-657A	161T1246-4		DELETED		
660	161T1240-5		DELETED		
663	BACB30NT3K1		DELETED		
666	AN960JD10LL		DELETED		
669	69B83395-1		DELETED		
672	NAS6603H25		DELETED		
675	AN960JD10LL		DELETED		
678	161T1240-6		DELETED		
681	HL10VAZ6-3		DELETED		
684	HL79-6		DELETED		
687	161T1244-2		DELETED		
690	BACR15BB5AD		DELETED		
693	161T1243-3		DELETED		
696	161T1241-1		DELETED		
-696A	161T1241-3		DELETED		
699	MS21209F1-15		DELETED		
-699A	MS21209F1-10P		DELETED		
702	161T1241-2		DELETED		
-702A	161T1241-4		DELETED		
705	161T1248-1		DELETED		
708	161T1248-1		DELETED		
711	161T1248-2		DELETED		
714	LL106KSG20		DELETED		
-714A	SK0771-1		DELETED		
-714B	9106NPPFS464		DELETED		
717	69B83394-2		DELETED		
720	69B83396-2		DELETED		
-720A	69B83396-3		DELETED		
723	NAS6603H2		DELETED		

**32-11-20**

FIG. & ITEM	PART NO.	AIRLINE PART NUMBER	NOMENCLATURE 1234567	EFF CODE	QTY PER ASSY
15-					
726	65B84414-4		DELETED		
729	MS21209F1-15		DELETED		
732	65B84414-5		DELETED		
735	161T1245-1		DELETED		
738	75984		DELETED		
741	NAS1352C08H10		DELETED		
744	161T1223-1		DELETED		
747	161T1220-1		DELETED		
750	78529		DELETED		
-750A	84490-1		DELETED		

- Item Not Illustrated

**32-11-20**

FIG. & ITEM	PART NO.	AIRLINE PART NUMBER	NOMENCLATURE 1234567	EFF CODE	QTY PER ASSY
16-					
-1A	161T1000-686		DELETED		
-1B	161T1000-688		DELETED		
-1C	161T1000-690		DELETED		
-1D	161T1000-692		DELETED		
-1E	161T1000-694		DELETED		
-1F	161T1000-696		DELETED		
-1G	161T1000-698		DELETED		
-1H	161T1000-700		DELETED		
-1J	161T1000-702		DELETED		
-1K	161T1000-704		DELETED		
5	NAS6704HU4		DELETED		
10	AN960-416		DELETED		
15	161T1305-2		DELETED		
20	161T1301-1		DELETED		
25	161T1302-1		DELETED		
30	161T1301-2		DELETED		
35	161T1174-1		DELETED		
40	161T1174-2		DELETED		
45	NAS6712-43		DELETED		
50	NAS6712-47		DELETED		
55	AN960C1216		DELETED		
60	H10-12BAC		DELETED		
65	NAS6714-43		DELETED		
70	NAS6714-51		DELETED		
75	AN960C1416		DELETED		
80	H10-14BAC		DELETED		
85	161T6041-1		DELETED		
90	161T1210-23		DELETED		
95	161T1210-24		DELETED		
100	161T1174-3		DELETED		

**32-11-20**

ILLUSTRATED PARTS LIST  
01.1 Page 1072Q  
Nov 01/05

FIG. & ITEM	PART NO.	AIRLINE PART NUMBER	NOMENCLATURE 1234567	EFF CODE	QTY PER ASSY
16-					
105	161T1174-4		DELETED		
110	113T8222-2		DELETED		
115	BACB28AM09B020A		DELETED		
120	BACB28AP06P020		DELETED		
125	113T8222-4		DELETED		
130	161T1307-5		DELETED		
135	BACB28X6M025		DELETED		
140	BACB28X9M025		DELETED		
145	161T1307-6		DELETED		
150	AN960-1616		DELETED		
-150A	AN960C1616		DELETED		
155	AN960-1616L		DELETED		
-155A	AN960C1616L		DELETED		
160	RMTE9868-16		DELETED		
-160A	56287M1612		DELETED		
165	287T6111-6		DELETED		
170	287T6111-8		DELETED		
175	MS24665-359		DELETED		
180	MS24665-360		DELETED		
185	161T1172-6		DELETED		
190	NAS6714D54		DELETED		
195	AN960C1416		DELETED		
200	H10-14BAC		DELETED		
205	161T1307-4		DELETED		
210	AN960-1616		DELETED		
-210A	AN960C1616		DELETED		
215	AN960-1616L		DELETED		
-215A	AN960C1616L		DELETED		
220	RMTE9868-16		DELETED		
-220A	56287M1612		DELETED		
225	1728B		DELETED		
230	161T1210-5		DELETED		
235	161T1210-18		DELETED		
240	161T1210-29		DELETED		
245	161T1210-30		DELETED		
250	161T1172-8		DELETED		
255	MS24665-359		DELETED		
260	MS24665-360		DELETED		
265	161T1173-6		DELETED		
270	NAS6714D54		DELETED		
275	AN960C1416		DELETED		
280	H10-14BAC		DELETED		
285	1728B		DELETED		
290	161T1210-5		DELETED		
295	161T1210-18		DELETED		

# 32-11-20

 ILLUSTRATED PARTS LIST  
 01.1 Page 1072R  
 Nov 01/05

FIG. & ITEM	PART NO.	AIRLINE PART NUMBER	NOMENCLATURE 1234567	EFF CODE	QTY PER ASSY
16-					
300	161T1210-44		DELETED		
305	161T1210-45		DELETED		
310	161T2008-1		DELETED		
-310A	161T2008-3		DELETED		
-310B	161T2008-5		DELETED		
320	NAS6604-12		DELETED		
325	AN960-416		DELETED		
330	BACN10JC4		DELETED		
335	161T2015-1		DELETED		
340	65B05457-2		DELETED		
345	1992B		DELETED		
350	161T6040-11		DELETED		
355	161T2049-1		DELETED		
360	161T2008-2		DELETED		
-360A	161T2008-4		DELETED		
-360B	161T2008-6		DELETED		
365	161T6005-1		DELETED		
-365A	161T6005-3		DELETED		
-365B	161T6005-3		DELETED		
370	NAS6604-17		DELETED		
375	AN960-416		DELETED		
380	BACN10JC4		DELETED		
385	161T6019-1		DELETED		
390	161T6020-1		DELETED		
395	1728B		DELETED		
400	161T6038-1		DELETED		
405	161T6044-1		DELETED		
410	161T6005-2		DELETED		
-410A	161T6005-4		DELETED		
415	MS24665-359		DELETED		

**32-11-20**

ILLUSTRATED PARTS LIST  
01.1 Page 1072S  
Nov 01/05

FIG. & ITEM	PART NO.	AIRLINE PART NUMBER	NOMENCLATURE 1234567	EFF CODE	QTY PER ASSY
16-					
420	161T1183-1		DELETED		
425	1728B		DELETED		
430	161T1183-2		DELETED		
435	162T2015-5		DELETED		
440	H10-14BAC		DELETED		
445	NAS6604-10		DELETED		
450	AN960-416		DELETED		
455	BACN10JC4		DELETED		
460	161T1202-1		DELETED		
-460A	161T1202-2		DELETED		
465	161T1201-1		DELETED		
465A	161T1201-3		DELETED		
465B	161T1201-4		DELETED		
470	161T1019-1		DELETED		
-470A	161T1019-2		DELETED		
475	MS24665-287		DELETED		
480	AN960-616		DELETED		
485	161T1021-1		DELETED		
490	161T1020-1		DELETED		
495	NAS1802-3D10		DELETED		
-495A	NAS1801-3D10		DELETED		
500	BACB30LJ5D41		DELETED		
-500A	NAS6705D41		DELETED		
505	BACW10DS5TS		DELETED		
-505A	BACW10BN5SC		DELETED		
510	NAS1149F0563P		DELETED		
515	MS14145L5		DELETED		
520	MS24665-155		DELETED		
525	161T1025-1		DELETED		
530	161T1219-1		DELETED		

# 32-11-20

 ILLUSTRATED PARTS LIST  
 01.1 Page 1072T  
 Nov 01/05

FIG. & ITEM	PART NO.	AIRLINE PART NUMBER	NOMENCLATURE 1234567	EFF CODE	QTY PER ASSY
16-					
530A	161T1219-2		DELETED		
535	161T1024-1		DELETED		
535A	161T1024-3		DELETED		
540	161T1212-1		DELETED		
545	161T1201-2		DELETED		
550	66-18544-1		DELETED		
555	MS35333-42		DELETED		
560	AN960-616		DELETED		
565	52NE066		DELETED		
-565A	MS51922-17		DELETED		
-565B	MS21044-616		DELETED		
570	161T1310-1		DELETED		
575	NAS6604-22		DELETED		
580	AN960-416		DELETED		
585	BACN10JC4		DELETED		
590	BACR15FT5KE		DELETED		
595	161T1311-2		DELETED		
600	BACR15FT5KE		DELETED		
605	161T1311-7		DELETED		
610	161T1311-8		DELETED		
615	161T1311-1		DELETED		
-620	165T0000-1		DELETED		
-625	161T1000-5088		DELETED		
-625A	161T1000-5112		DELETED		
-625B	161T1000-5092		DELETED		
-625C	161T1000-5100		DELETED		
-625D	161T1000-5104		DELETED		
-625E	161T1000-5110		DELETED		
-625F	161T1000-5096		DELETED		
-625G	161T1000-5122		DELETED		
-625H	161T1000-5124		DELETED		
-625J	161T1000-5130		DELETED		
-625K	161T1000-5070		DELETED		
-625L	161T1000-5072		DELETED		
-625M	161T1000-5105		DELETED		
-625N	161T1000-5106		DELETED		
-625P	161T1000-5114		DELETED		
-625Q	161T1000-5118		DELETED		
-625R	161T1000-5128		DELETED		
-625S	161T1000-5134		DELETED		
-625T	161T1000-5136		DELETED		
-625U	161T1000-5138		DELETED		
-625V	161T1000-5078		DELETED		
-625W	161T1000-5080		DELETED		
-625X	161T1000-5126		DELETED		

**32-11-20**



FIG. & ITEM	PART NO.	AIRLINE PART NUMBER	NOMENCLATURE 1234567	EFF CODE	QTY PER ASSY
16-					
-625Y	161T1000-5132		DELETED		
-625Z	161T1000-5086		DELETED		
-626	161T1000-5062		DELETED		
-626A	161T1000-5074		DELETED		
-626B	161T1000-5076		DELETED		
-626C	161T1000-5120		DELETED		
-626D	161T1000-5094		DELETED		
-626E	161T1000-5109		DELETED		
-626F	161T1000-5090		DELETED		
-626G	161T1000-5098		DELETED		
-626H	161T1000-5116		DELETED		
630	NAS6604-10		DELETED		
635	AN960C416L		DELETED		
640	BACN10JC4		DELETED		
645	161T1311-13		DELETED		
650	161T1230-5		DELETED		
655	AN960C416L		DELETED		
670	MBC68941-820		DELETED		
675	MBB69260-1170		DELETED		
680	7355		DELETED		
-680A	8412		DELETED		
-685	272T6100-2		DELETED		
-690	287T0000-6		DELETED		
-695	284T6100-4		DELETED		
700	NAS6604-4		DELETED		
705	AN960PD416		DELETED		
710	161T1310-2		DELETED		
715	BACR15BA3AD		DELETED		
720	BRFM20A4		DELETED		
725	MT65S428SK1		DELETED		
730	287T6111-17		DELETED		
735	BACR15FT5KE		DELETED		
740	BACR15BA3AD		DELETED		
745	T8097S3K		DELETED		
750	287T6111-19		DELETED		
755	161T1310-5		DELETED		
760	BACR15FT5KE		DELETED		
765	161T1311-12		DELETED		
770	161T1311-10		DELETED		
775	161T1310-4		DELETED		
780	BACR15BA3AD		DELETED		
785	MT65S428SK1		DELETED		
790	287T6111-17		DELETED		
795	BACR15FT5KE		DELETED		
800	BACR15BA3AD		DELETED		

# 32-11-20

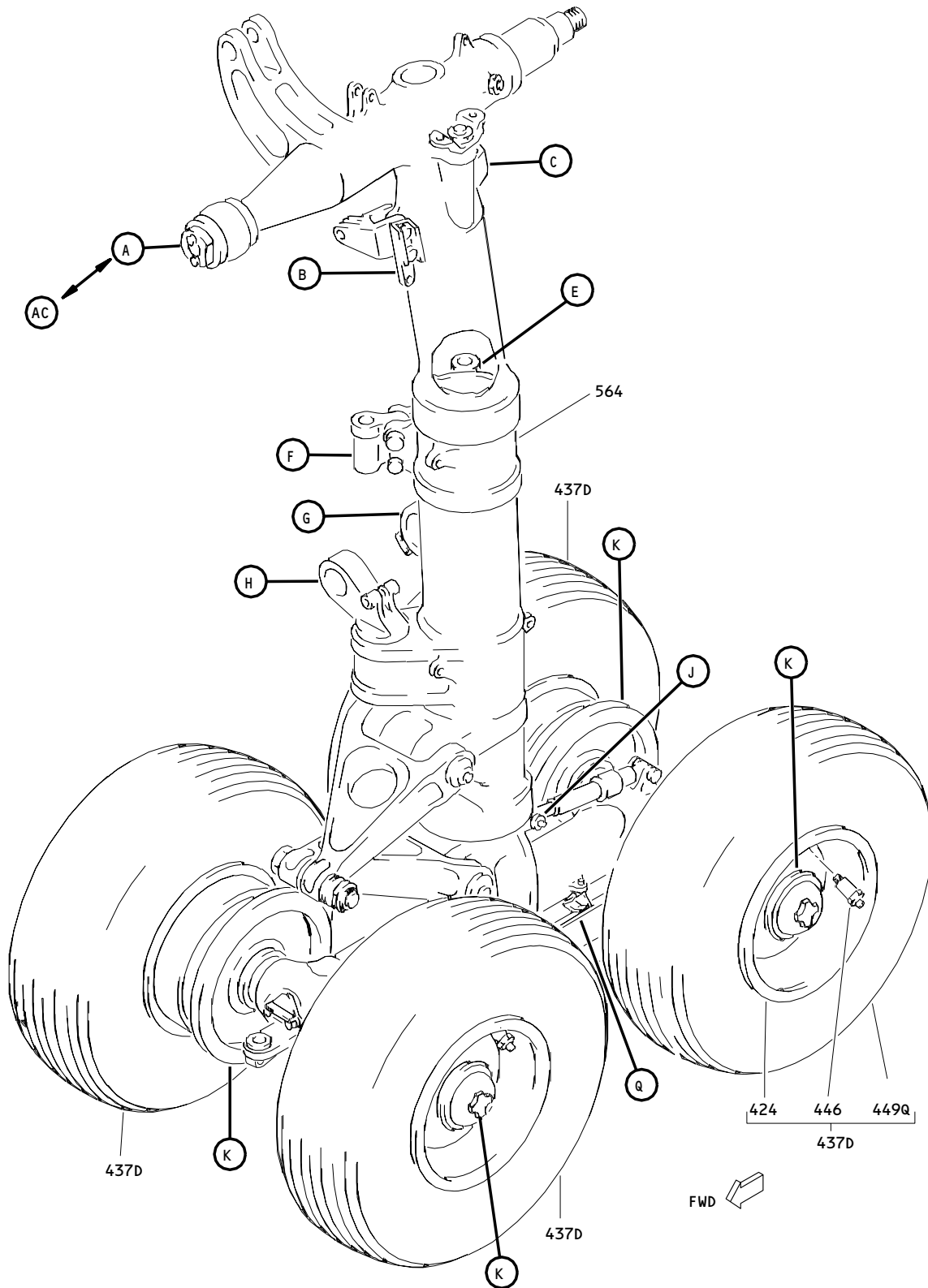
 ILLUSTRATED PARTS LIST  
 01.1 Page 1072V  
 Nov 01/05

FIG. & ITEM	PART NO.	AIRLINE PART NUMBER	NOMENCLATURE	EFF CODE	QTY PER ASSY
			1234567		
16-					
805	T8097S3K		DELETED		
810	287T6111-19		DELETED		
815	161T1310-5		DELETED		
820	BACR15FT5KE		DELETED		
825	161T1311-11		DELETED		
830	161T1311-12		DELETED		
835	161T1311-10		DELETED		

- Item Not Illustrated

**32-11-20**

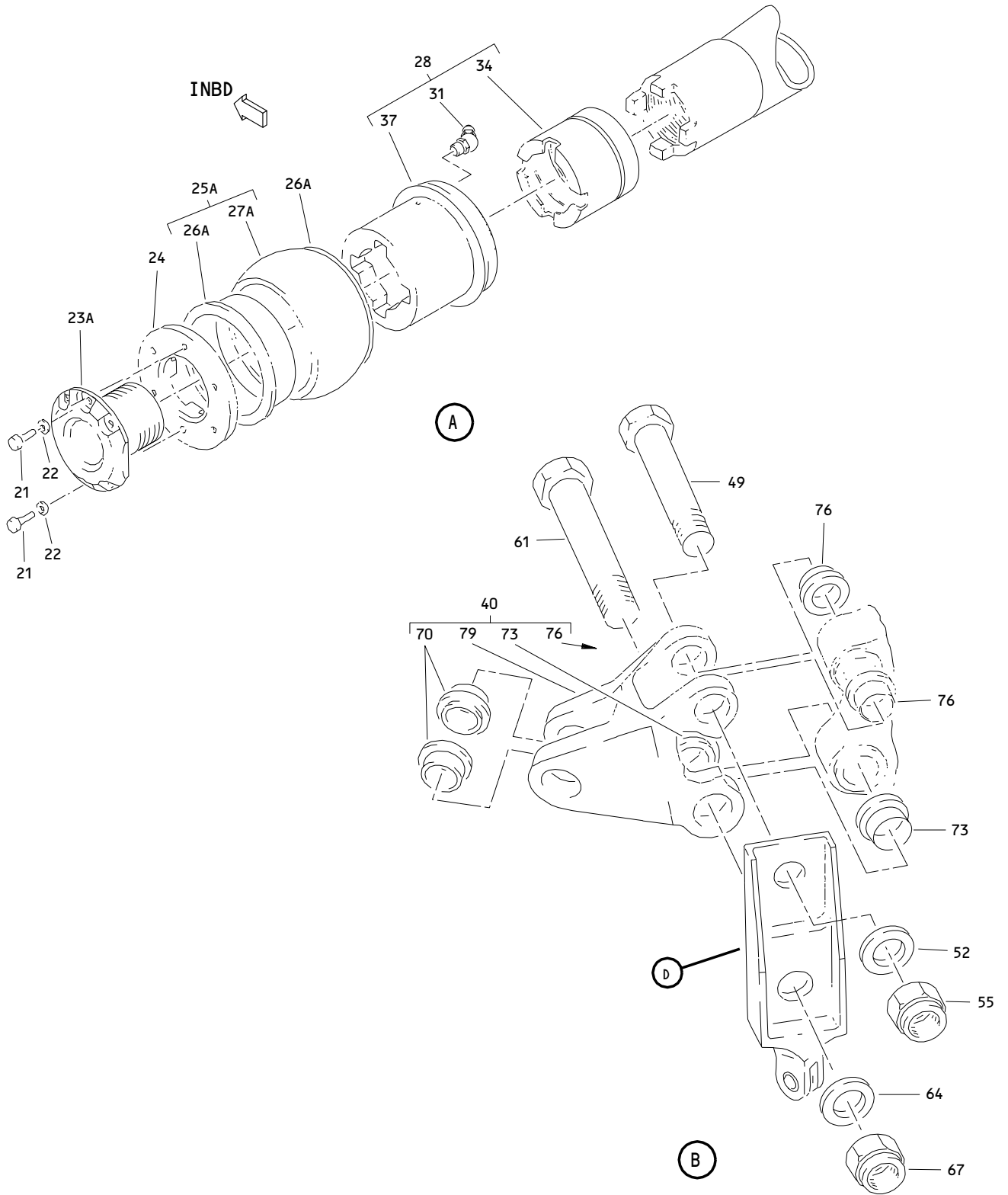
ILLUSTRATED PARTS LIST  
01.1 Page 1072W  
Nov 01/05



Main Landing Gear Buildup Assembly (Left Hand)  
 Figure 17 (Sheet 1)

**32-11-20**

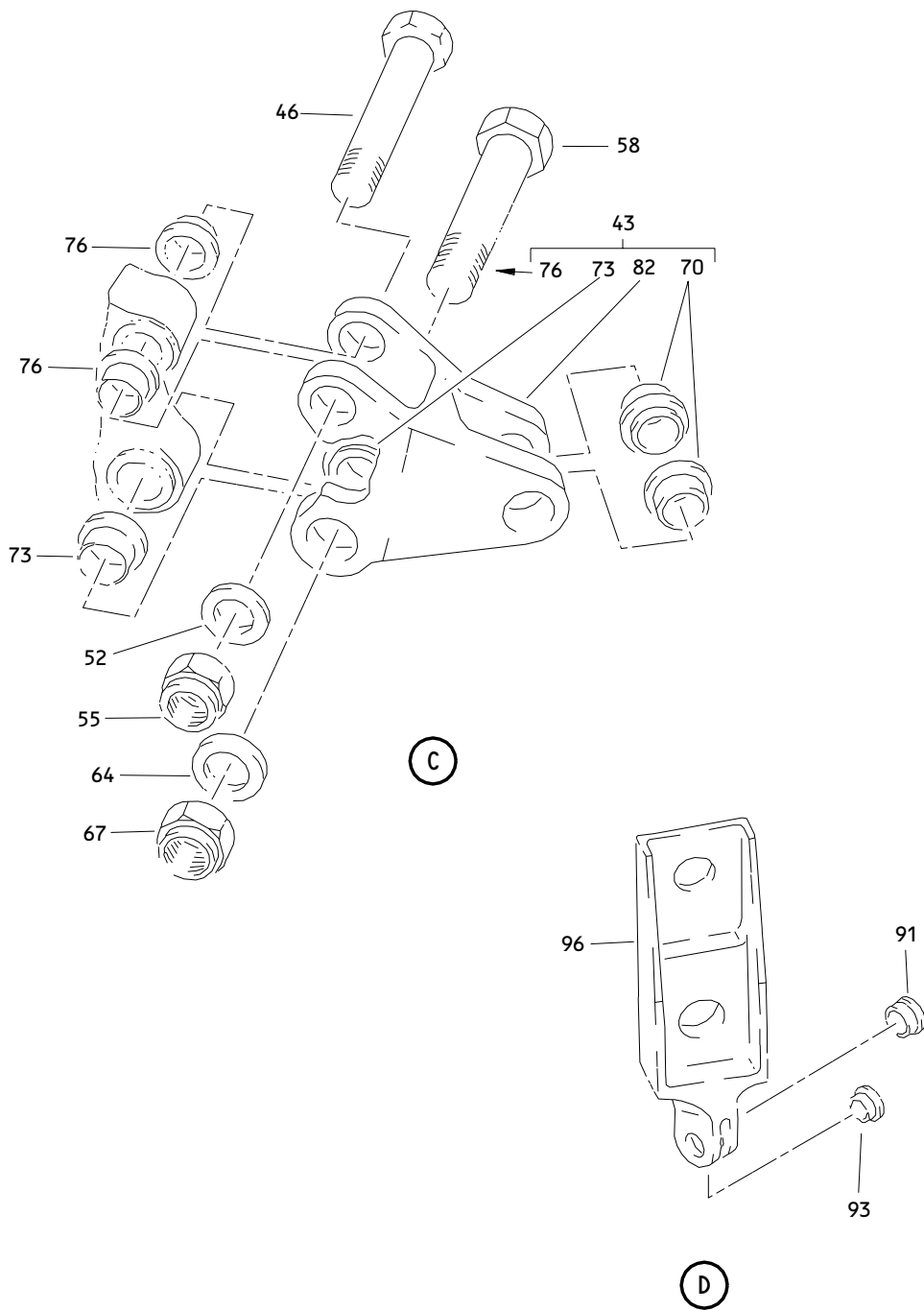
ILLUSTRATED PARTS LIST  
 01.1 Page 1072X  
 Nov 01/05



Main Landing Gear Buildup (Left Hand)  
Figure 17 (Sheet 2)

**32-11-20**

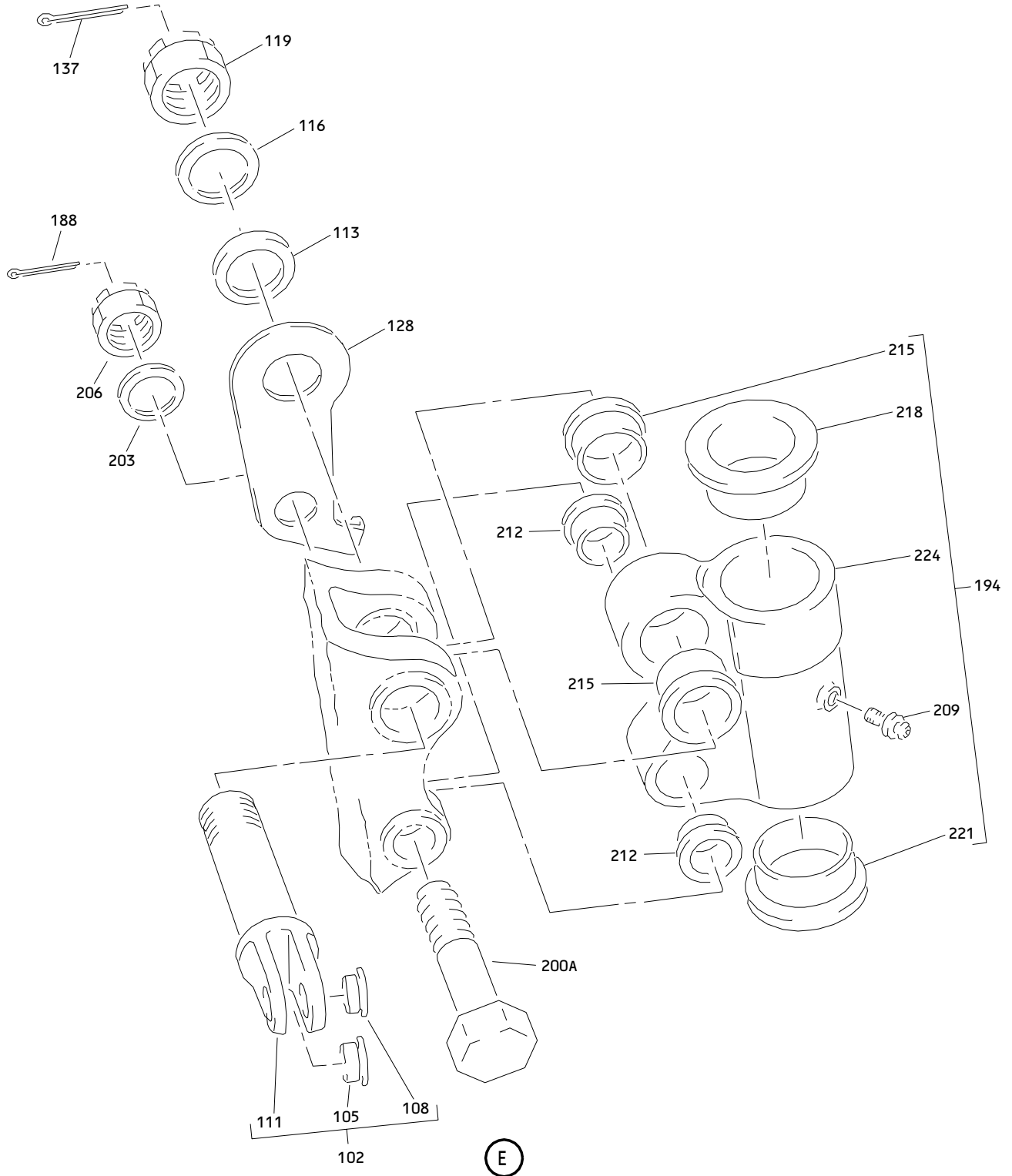
ILLUSTRATED PARTS LIST  
01.1 Page 1072Y  
Nov 01/05



Main Landing Gear Buildup (Left Hand)  
 Figure 17 (Sheet 3)

**32-11-20**

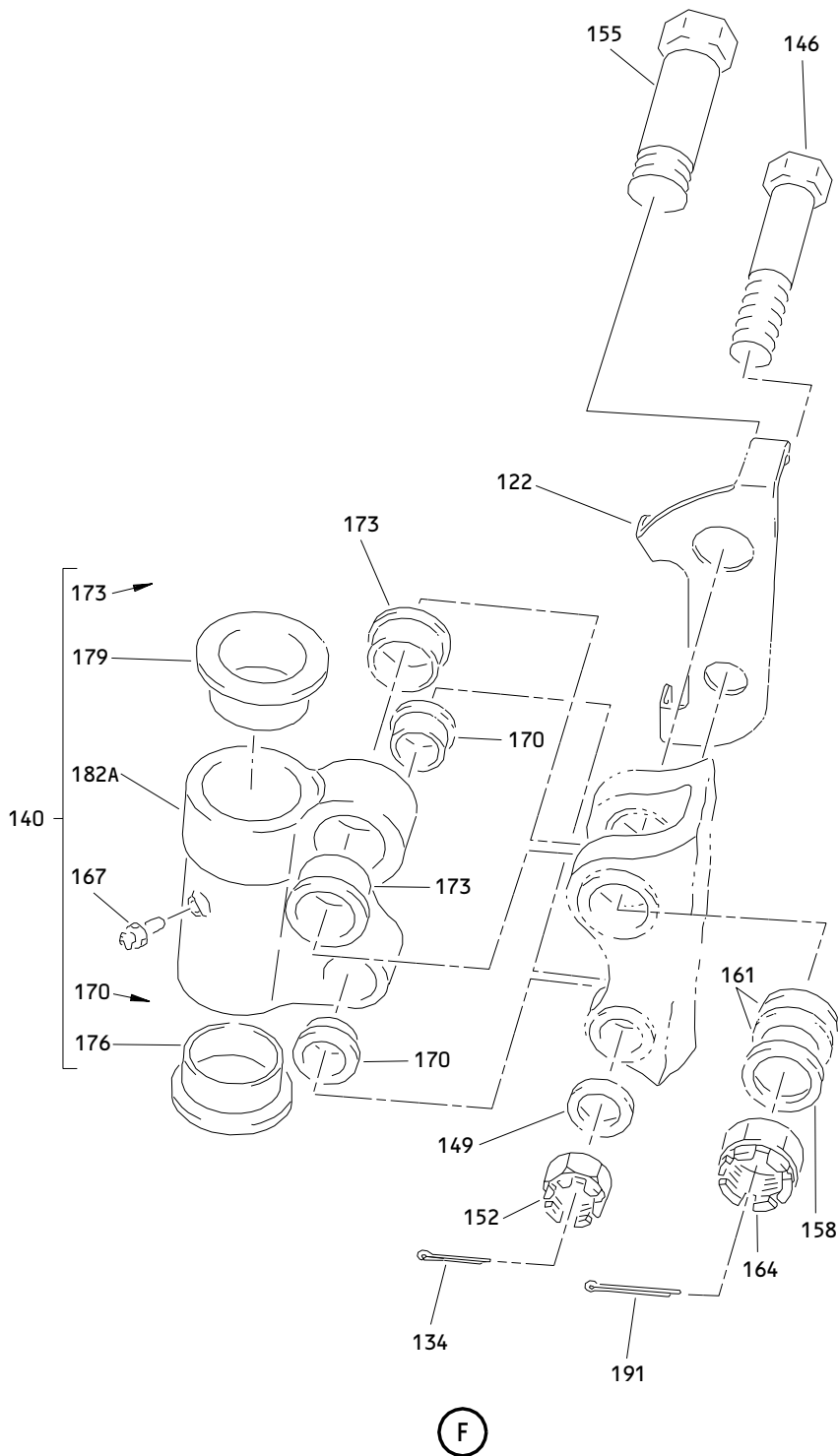
ILLUSTRATED PARTS LIST  
 01.1 Page 1072Z  
 Nov 01/05



Main Landing Gear Buildup (Left Hand)  
Figure 17 (Sheet 4)

**32-11-20**

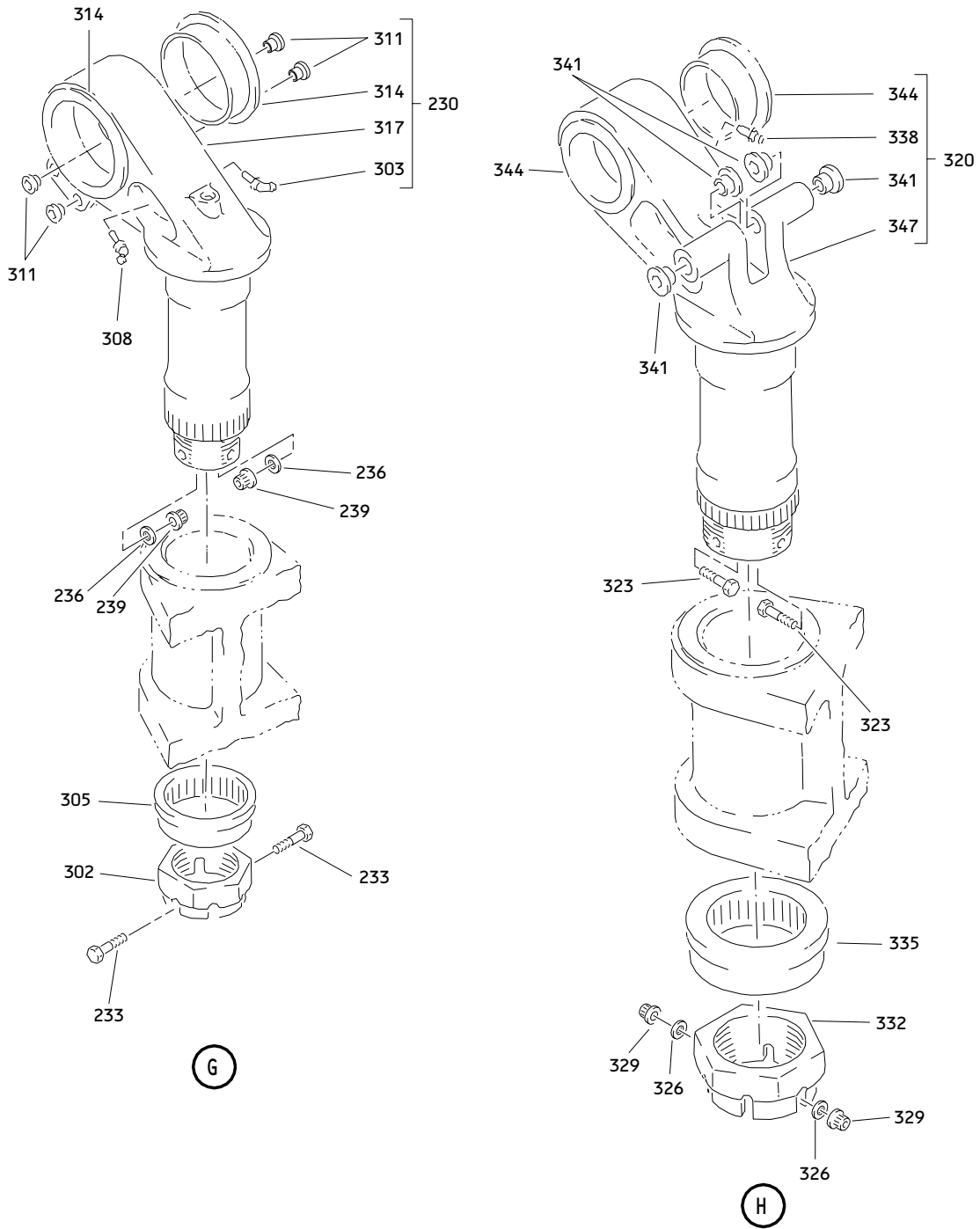
ILLUSTRATED PARTS LIST  
01.1 Page 1073  
Nov 01/05



Main Landing Gear Buildup (Left Hand)  
Figure 17 (Sheet 5)

**32-11-20**

ILLUSTRATED PARTS LIST  
01.1 Page 1074  
Nov 01/05

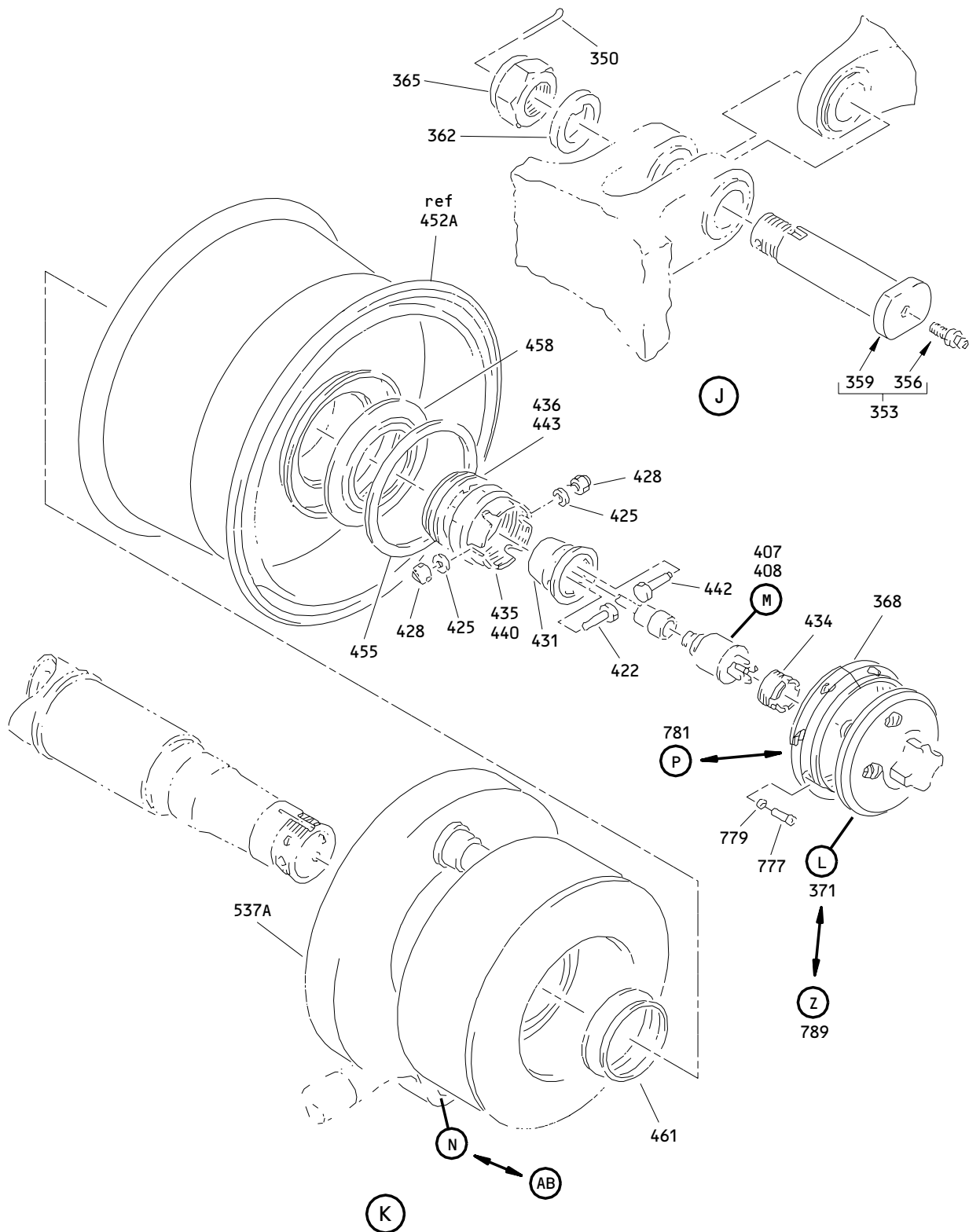


Main Landing Gear Buildup (Left Hand)  
Figure 17 (Sheet 6)

**32-11-20**

ILLUSTRATED PARTS LIST  
01.1 Page 1074A  
Nov 01/05

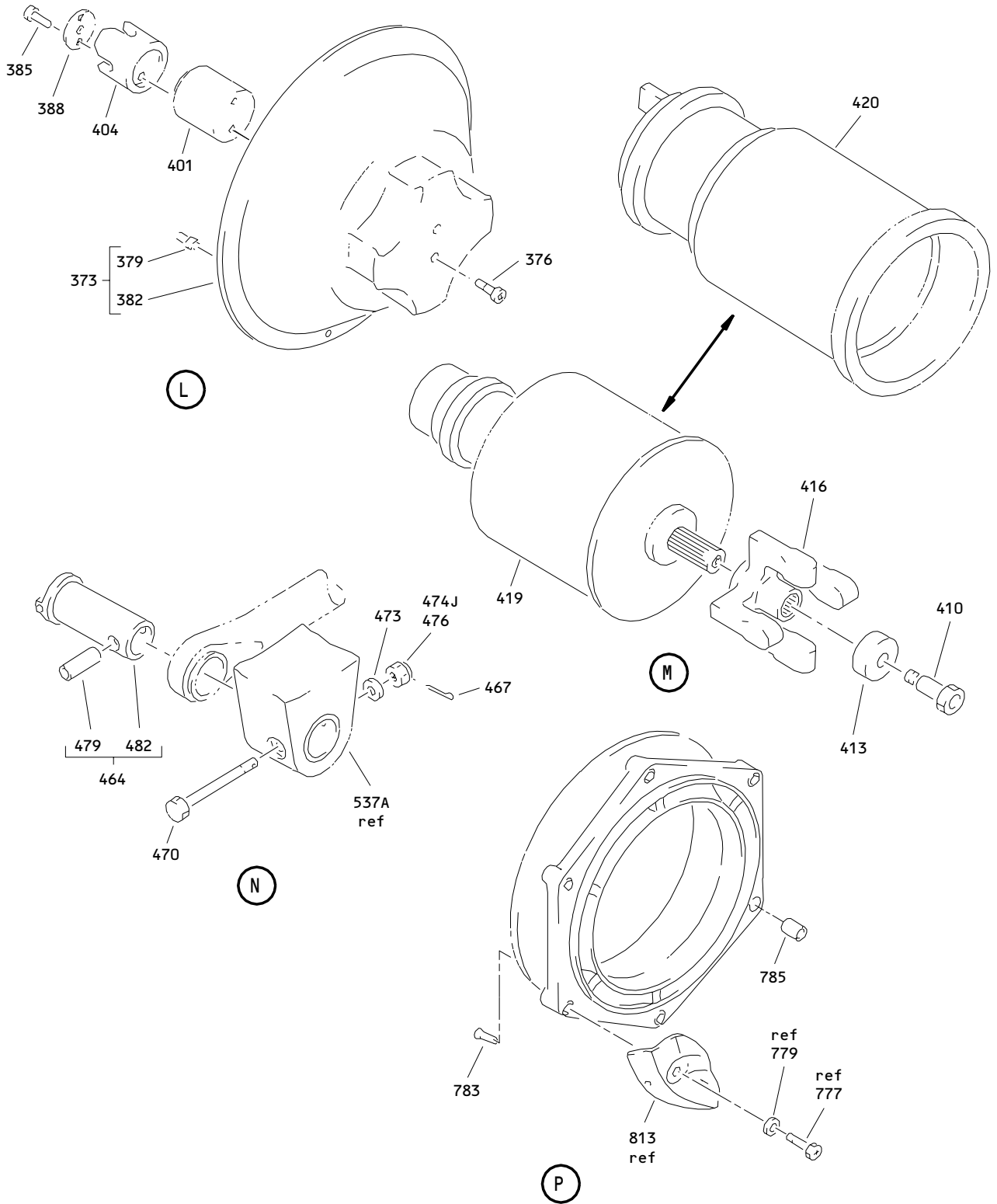




Main Landing Gear Buildup (Left Hand)  
Figure 17 (Sheet 7)

**32-11-20**

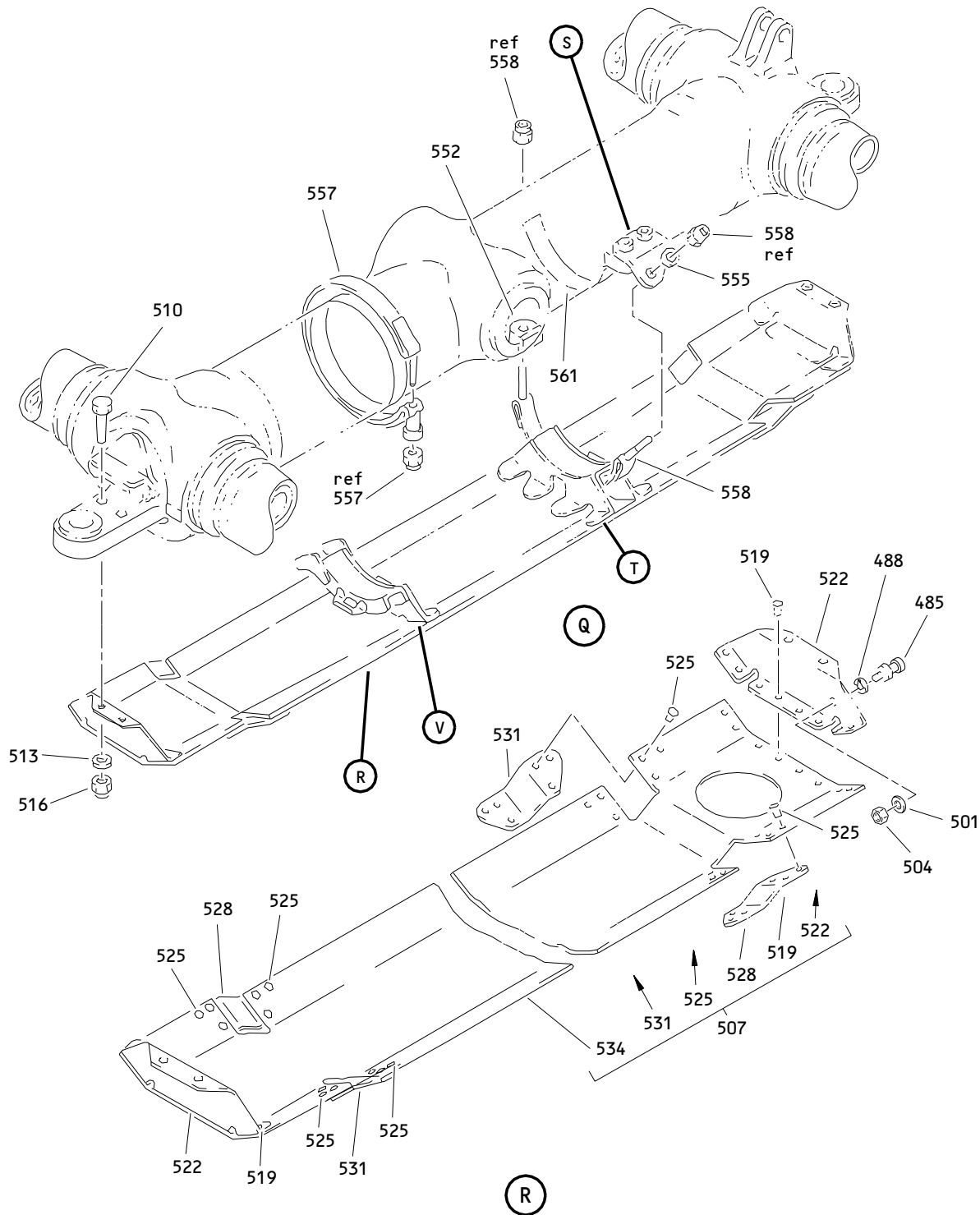
ILLUSTRATED PARTS LIST  
01.1 Page 1074B  
Nov 01/05



Main Landing Gear Buildup (Left Hand)  
Figure 17 (Sheet 8)

**32-11-20**

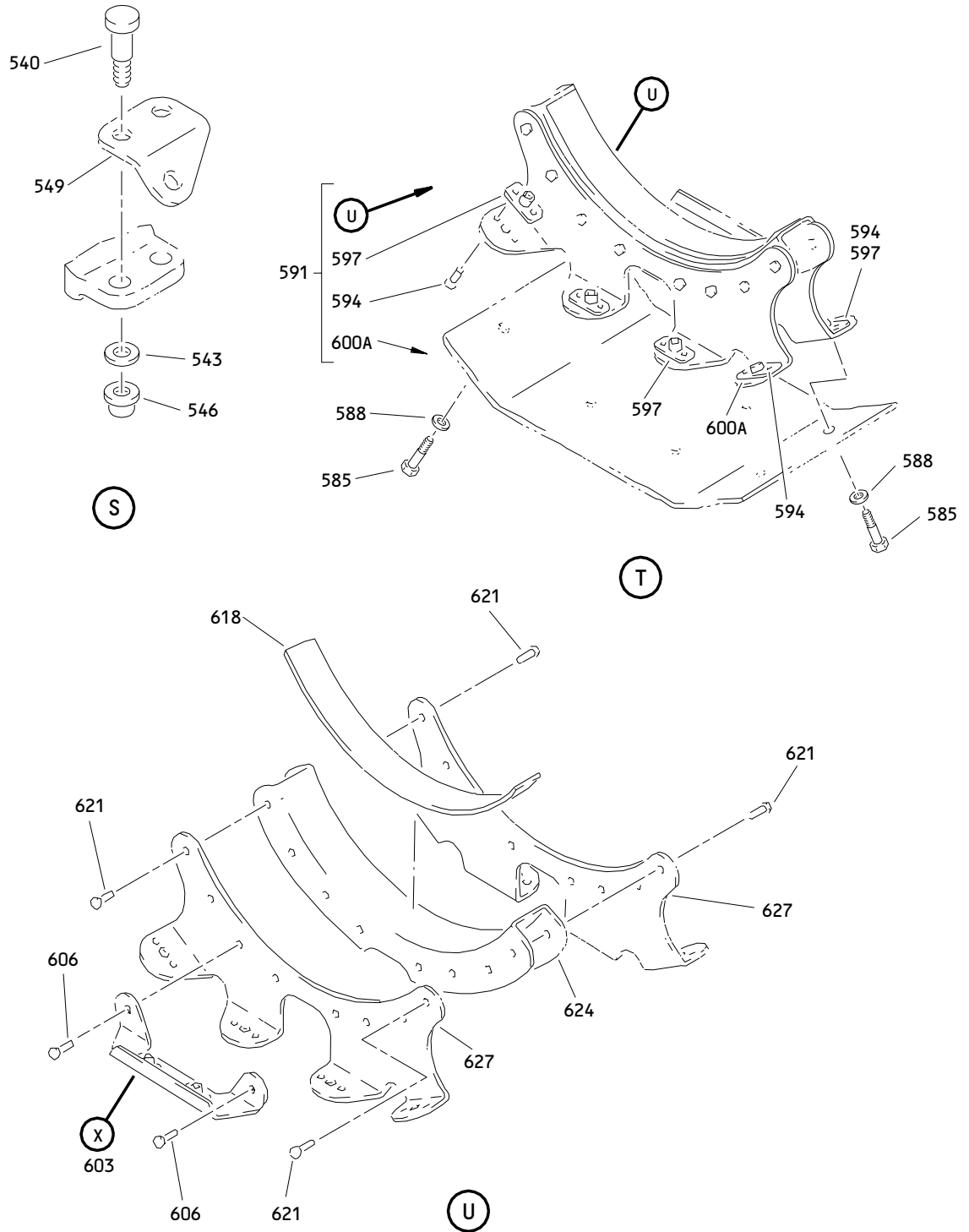
ILLUSTRATED PARTS LIST  
01.1 Page 1074C  
Nov 01/05



Main Landing Gear Buildup (Left Hand)  
Figure 17 (Sheet 9)

**32-11-20**

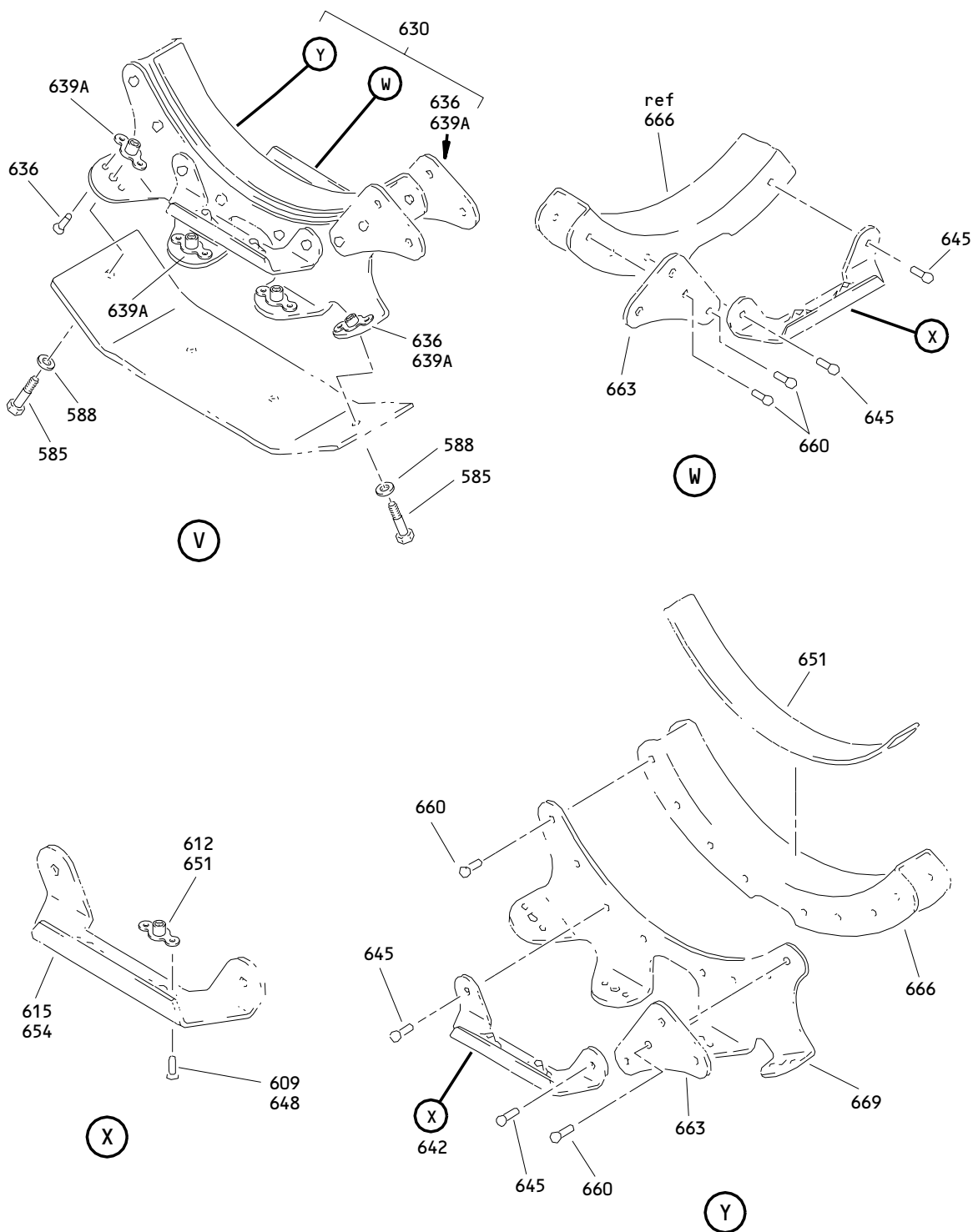
ILLUSTRATED PARTS LIST  
01.1 Page 1074D  
Nov 01/05



Main Landing Gear Buildup (Left Hand)  
Figure 17 (Sheet 10)

**32-11-20**

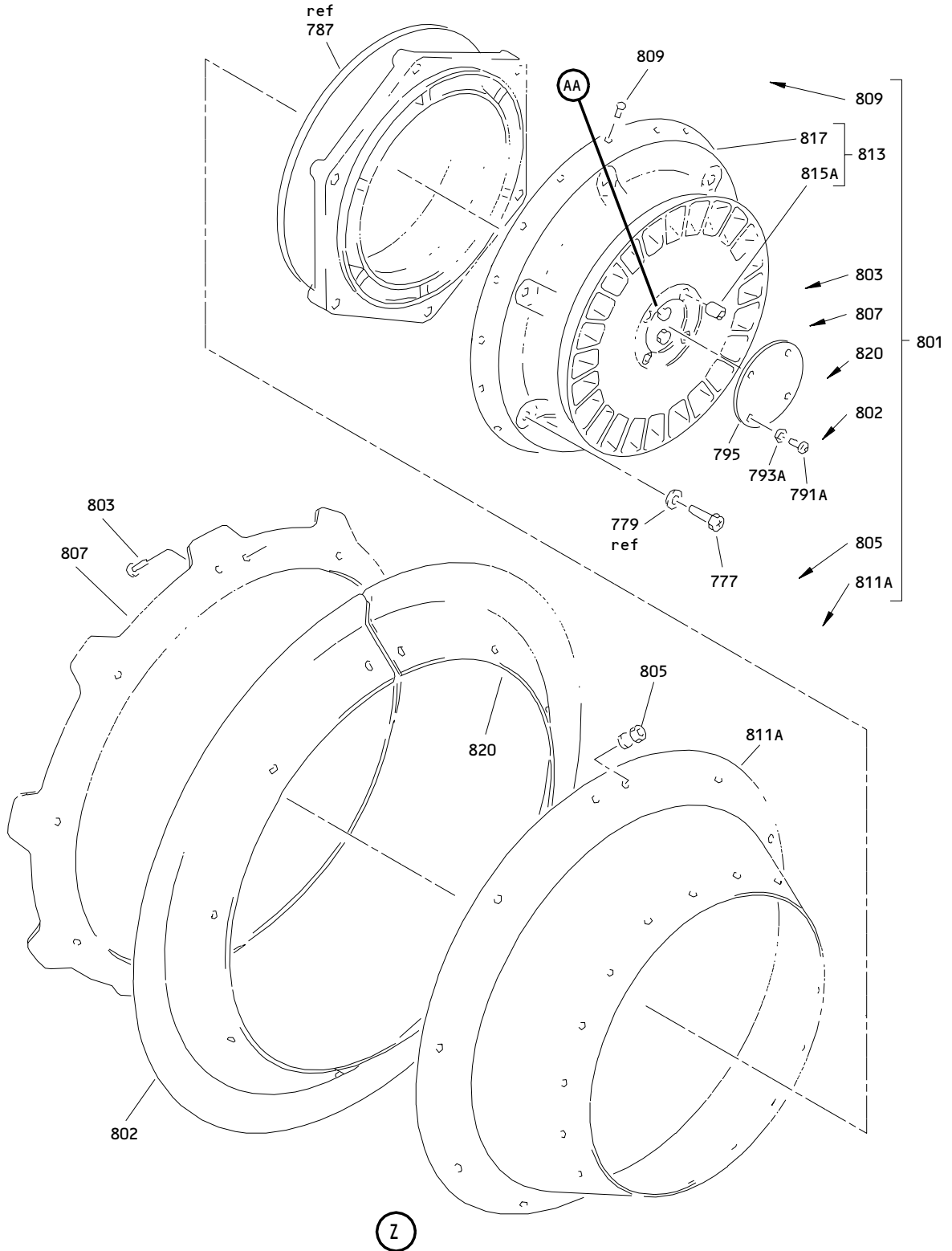
ILLUSTRATED PARTS LIST  
01.1 Page 1074E  
Nov 01/05



Main Landing Gear Buildup (Left Hand)  
 Figure 17 (Sheet 11)

**32-11-20**

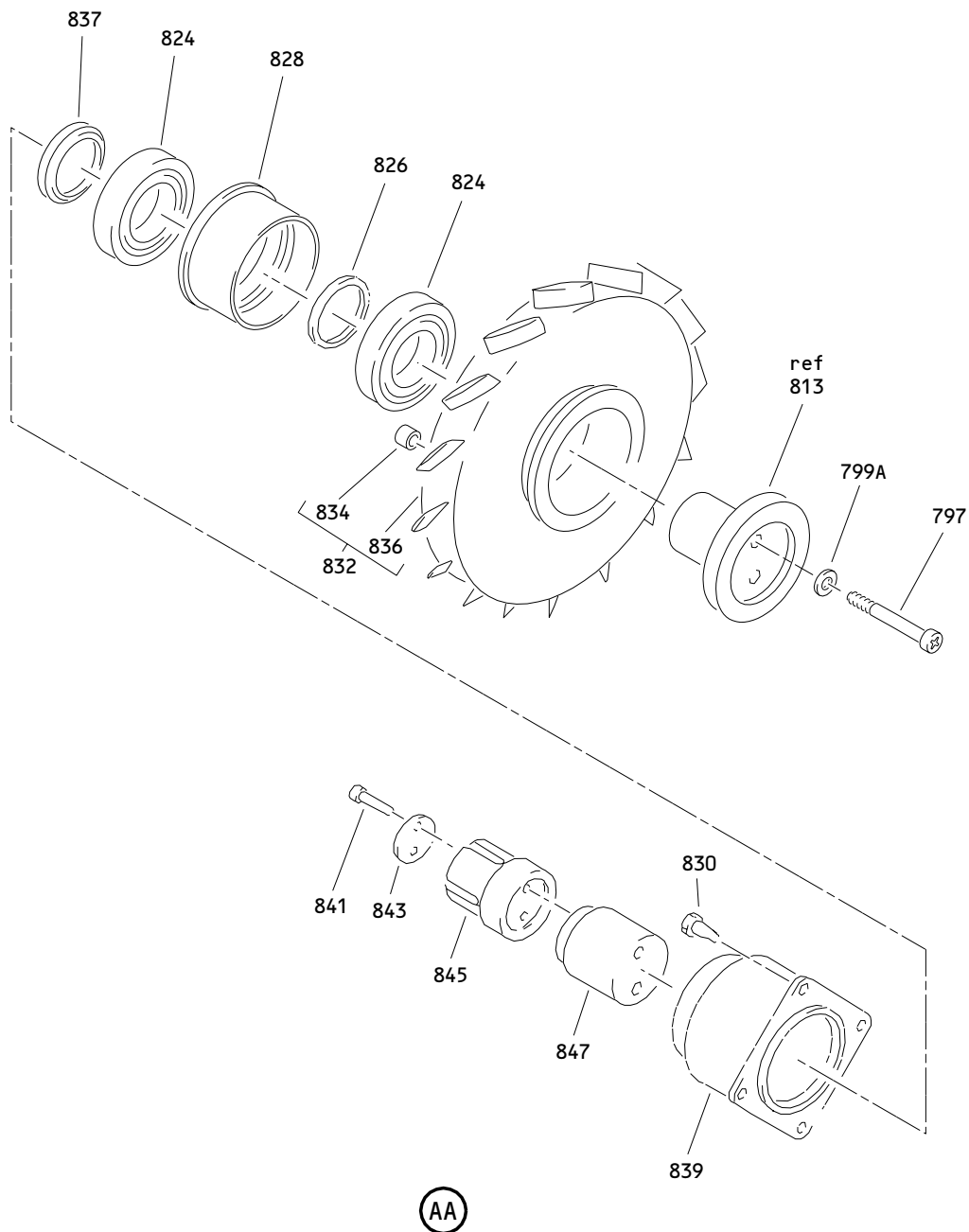
ILLUSTRATED PARTS LIST  
 01.1 Page 1074F  
 Nov 01/05



Main Landing Gear Buildup (Left Hand)  
Figure 17 (Sheet 12)

**32-11-20**

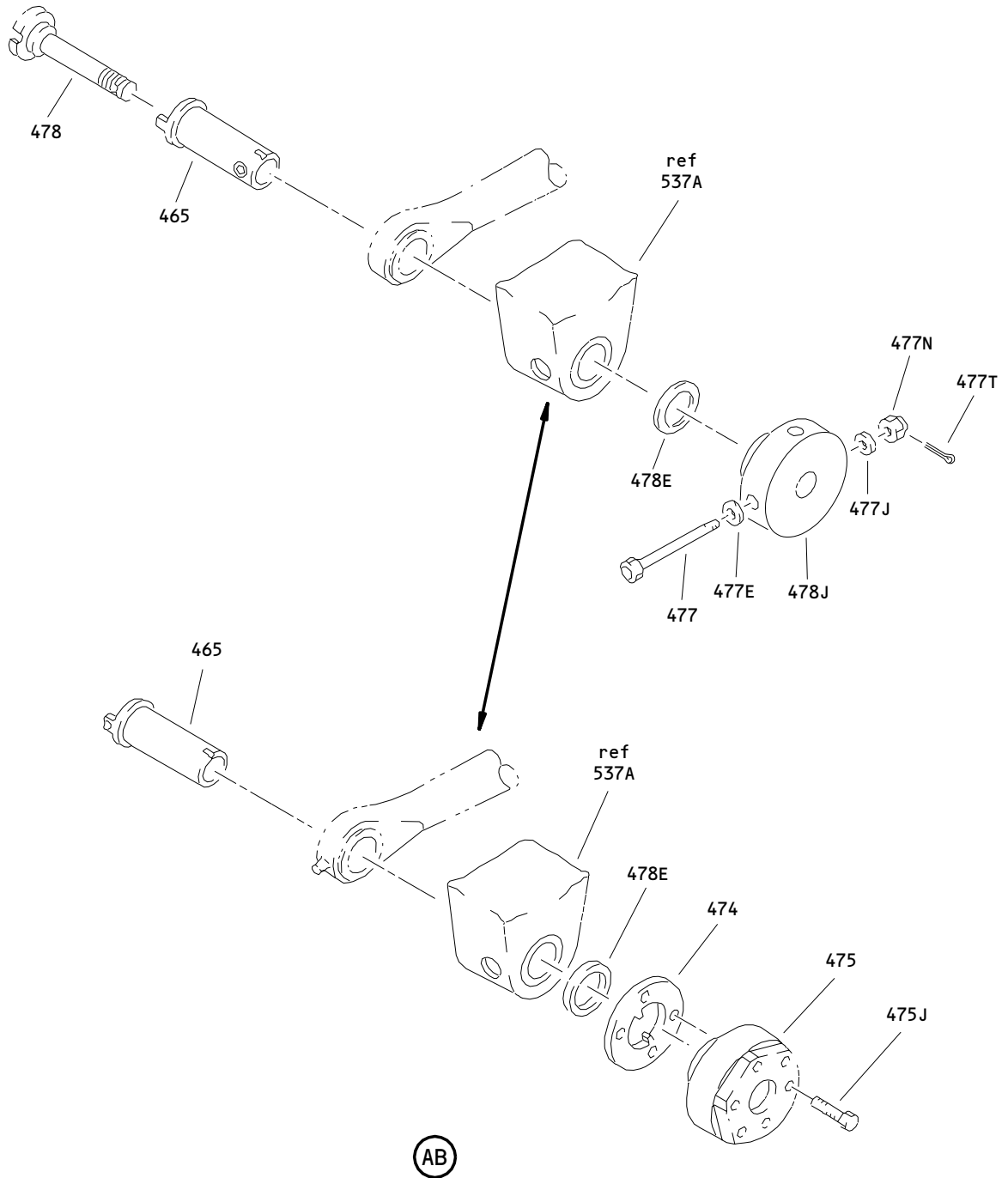
ILLUSTRATED PARTS LIST  
01.1 Page 1074G  
Nov 01/05



Main Landing Gear Buildup (Left Hand)  
 Figure 17 (Sheet 13)

**32-11-20**

ILLUSTRATED PARTS LIST  
 01.1 Page 1074H  
 Nov 01/05

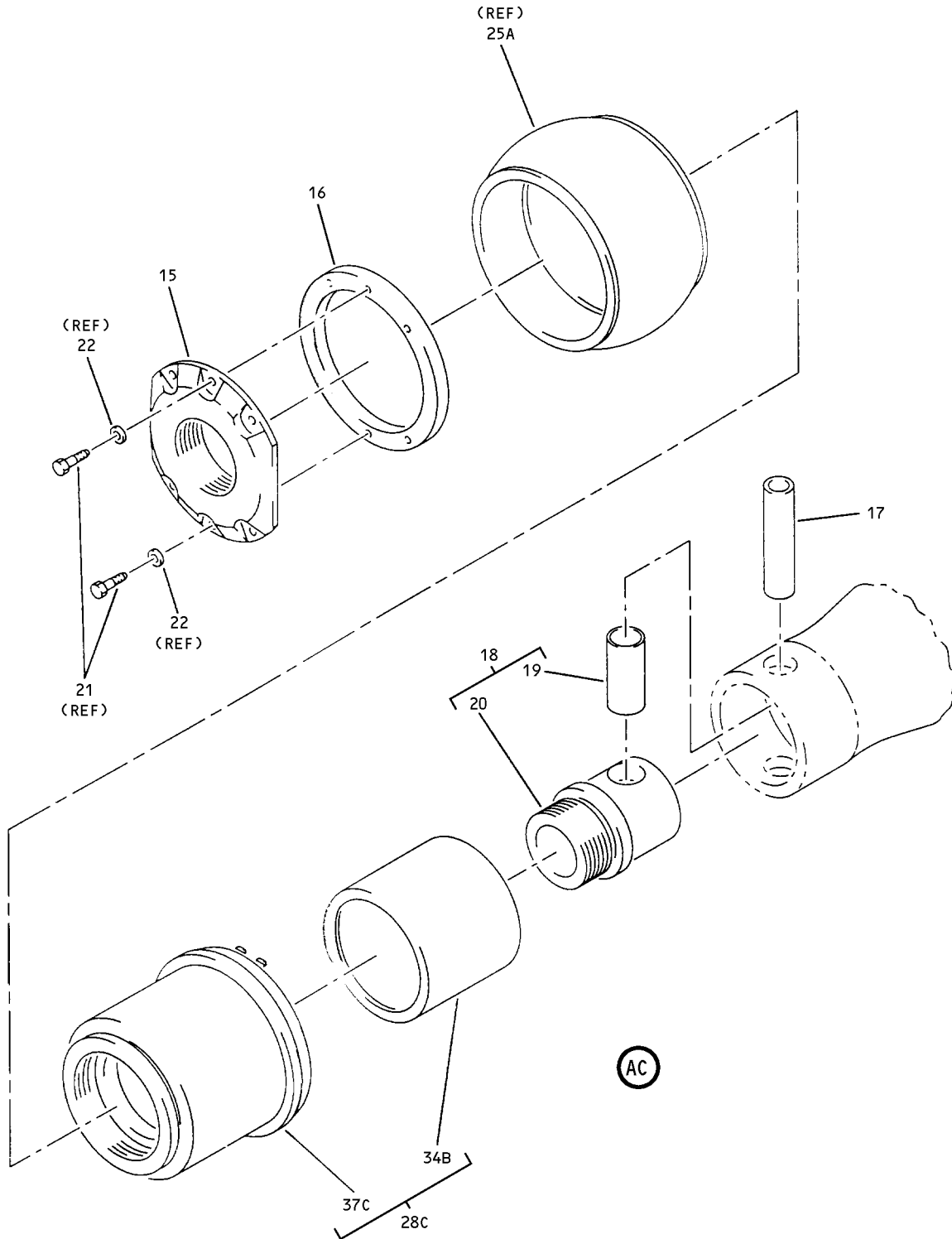


Main Landing Gear Buildup (Left Hand)  
Figure 17 (Sheet 14)

**32-11-20**

ILLUSTRATED PARTS LIST  
01.1 Page 1074I  
Nov 01/05





Main Landing Gear Buildup (Left Hand)  
 Figure 17 (Sheet 15)

**32-11-20**

ILLUSTRATED PARTS LIST  
 01.1 Page 1074J  
 Nov 01/05



**BOEING**  
COMPONENT  
MAINTENANCE MANUAL

FIG. & ITEM	PART NO.	AIRLINE PART NUMBER	NOMENCLATURE 1234567	EFF CODE	QTY PER ASSY
17-					
-1A	161T1000-153		BUILDUP ASSY-MLG (LH)	A	RF
-1B	161T1000-155		BUILDUP ASSY-MLG (LH)	B	RF
-1C	161T1000-157		BUILDUP ASSY-MLG (LH)	C	RF
-1D	161T1000-163		BUILDUP ASSY-MLG (LH)	D	RF
-1E	161T1000-165		BUILDUP ASSY-MLG (LH)	E	RF
-1F	161T1000-177		BUILDUP ASSY-MLG (LH)	F	RF
-1G	161T1000-185		BUILDUP ASSY-MLG (LH)	G	RF
-1H	161T1000-189		BUILDUP ASSY-MLG (LH)	H	RF
-1J	161T1000-207		BUILDUP ASSY-MLG (LH)	J	RF
-1K	161T1000-209		BUILDUP ASSY-MLG (LH)	K	RF
-1L	161T1000-211		BUILDUP ASSY-MLG (LH)	L	RF
-1M	161T1000-213		BUILDUP ASSY-MLG (LH)	M	RF
-1N	161T1000-215		BUILDUP ASSY-MLG (LH)	N	RF
-1P	161T1000-217		BUILDUP ASSY-MLG (LH)	P	RF
-1Q	161T1000-219		BUILDUP ASSY-MLG (LH)	Q	RF
-1R	161T1000-237		BUILDUP ASSY-MLG (LH)	R	RF
-1S	161T1000-247		BUILDUP ASSY-MLG (LH)	S	RF
-1T	161T1000-249		BUILDUP ASSY-MLG (LH)	T	RF
-1U	161T1000-253		BUILDUP ASSY-MLG (LH)	U	RF
-1V	161T1000-255		BUILDUP ASSY-MLG (LH)	V	RF
-1W	161T1000-291		BUILDUP ASSY-MLG (LH)	W	RF
-1X	161T1000-293		BUILDUP ASSY-MLG (LH)	X	RF
-1Y	161T1000-303		BUILDUP ASSY-MLG (LH)	Y	RF
-1Z	161T1000-327		BUILDUP ASSY-MLG (LH)	Z	RF
-2	161T1000-333		BUILDUP ASSY-MLG (LH)	AA	RF
-2A	161T1000-335		BUILDUP ASSY-MLG (LH)	AB	RF
-2B	161T1000-337		BUILDUP ASSY-MLG (LH)	AC	RF
-2C	161T1000-341		BUILDUP ASSY-MLG (LH)	AD	RF
-2D	161T1000-347		BUILDUP ASSY-MLG (LH)	AE	RF
-2E	161T1000-381		BUILDUP ASSY-MLG (LH)	AF	RF
-2F	161T1000-385		BUILDUP ASSY-MLG (LH)	AG	RF
-2G	161T1000-391		BUILDUP ASSY-MLG (LH)	AH	RF
-2H	161T1000-397		BUILDUP ASSY-MLG (LH)	AJ	RF
-2J	161T1000-399		BUILDUP ASSY-MLG (LH)	AK	RF
-2K	161T1000-601		BUILDUP ASSY-MLG (LH)	AL	RF
-2L	161T1000-605		BUILDUP ASSY-MLG (LH)	AM	RF
-2M	161T1000-613		BUILDUP ASSY-MLG (LH)	AN	RF
-2N	161T1000-621		BUILDUP ASSY-MLG (LH)	AP	RF
-2P	161T1000-623		BUILDUP ASSY-MLG (LH)	AQ	RF
-2Q	161T1000-625		BUILDUP ASSY-MLG (LH)	AR	RF
-2R	161T1000-629		BUILDUP ASSY-MLG (LH)	AS	RF
-2S	161T1000-631		BUILDUP ASSY-MLG (LH)	AT	RF
-2T	161T1000-633		BUILDUP ASSY-MLG (LH)	AU	RF
-2U	161T1000-643		BUILDUP ASSY-MLG (LH)	AV	RF
-2V	161T1000-653		BUILDUP ASSY-MLG (LH)	AW	RF

32-11-20

ILLUSTRATED PARTS LIST  
01.1 Page 1074K  
Nov 01/05

FIG. & ITEM	PART NO.	AIRLINE PART NUMBER	NOMENCLATURE 1234567	EFF CODE	QTY PER ASSY
17-					
-2W	161T1000-655		BUILDUP ASSY-MLG (LH)	AX	RF
-2X	161T1000-659		BUILDUP ASSY-MLG (LH)	AY	RF
-2Y	161T1000-661		BUILDUP ASSY-MLG (LH)	AZ	RF
-2Z	161T1000-663		BUILDUP ASSY-MLG (LH)	BA	RF
-3	161T1000-665		BUILDUP ASSY-MLG (LH)	BB	RF
-3A	161T1000-671		BUILDUP ASSY-MLG (LH)	BC	RF
-3B	161T1000-683		BUILDUP ASSY-MLG (LH)	BD	RF
-3C	161T1000-685		BUILDUP ASSY-MLG (LH)	BQ	RF
-3D	161T1000-687		BUILDUP ASSY-MLG (LH)	BR	RF
-3E	161T1000-689		BUILDUP ASSY-MLG (LH)	BS	RF
-3F	161T1000-691		BUILDUP ASSY-MLG (LH)	BT	RF
-3G	161T1000-693		BUILDUP ASSY-MLG (LH)	BU	RF
-3H	161T1000-695		BUILDUP ASSY-MLG (LH)	BV	RF
-3J	161T1000-697		BUILDUP ASSY-MLG (LH)	BW	RF
-3K	161T1000-699		BUILDUP ASSY-MLG (LH)	BX	RF
-3L	161T1000-701		BUILDUP ASSY-MLG (LH)	BY	RF
-3M	161T1000-703		BUILDUP ASSY-MLG (LH)	BZ	RF
-3N	161T1000-705		BUILDUP ASSY-MLG (LH)	BE	RF
-3P	161T1000-707		BUILDUP ASSY-MLG (LH)	BF	RF
-3Q	161T1000-709		BUILDUP ASSY-MLG (LH)	BG	RF
-3R	161T1000-711		BUILDUP ASSY-MLG (LH)	BH	RF
-3S	161T1000-713		DELETED		
-3T	161T1000-715		BUILDUP ASSY-MLG (LH)	BK	RF
-3U	161T1000-717		DELETED		
-3V	161T1000-719		BUILDUP ASSY-MLG (LH)	BM	RF
-3W	161T1000-721		BUILDUP ASSY-MLG (LH)	BN	RF
-3X	161T1000-723		BUILDUP ASSY-MLG (LH)	BP	RF
-3Y	161T1000-725		DELETED		
-3Z	161T1000-757		BUILDUP ASSY-MLG (LH)	FA	RF
-4	161T1000-781		BUILDUP ASSY-MLG (LH)	FB	RF
-4A	161T1000-789		BUILDUP ASSY-MLG (LH)	FC	RF
-4B	161T1000-797		DELETED		
-4C	161T1000-799		DELETED		
-4D	161T1000-801		DELETED		
-4E	161T1000-803		BUILDUP ASSY-MLG (LH)	FG	RF
-4F	161T1000-805		DELETED		
-4G	161T1000-807		DELETED		
-4H	161T1000-761		BUILDUP ASSY-MLG (LH)	FU	RF
-4J	161T1000-765		BUILDUP ASSY-MLG (LH)	FV	RF
-4K	161T1000-767		BUILDUP ASSY-MLG (LH)	FW	RF
-4L	161T1000-793		BUILDUP ASSY-MLG (LH)	FX	RF
-4M	161T1000-791		BUILDUP ASSY-MLG (LH)	FY	RF
-4N	161T1000-783		BUILDUP ASSY-MLG (LH)	GM	RF
-4P	161T1000-785		BUILDUP ASSY-MLG (LH)	GN	RF
-4Q	161T1000-819		DELETED		

# 32-11-20

 ILLUSTRATED PARTS LIST  
 01.1 Page 1074L  
 Nov 01/05



**BOEING**  
COMPONENT  
MAINTENANCE MANUAL

FIG. & ITEM	PART NO.	AIRLINE PART NUMBER	NOMENCLATURE 1234567	EFF CODE	QTY PER ASSY
17-			DELETED		
-4R	161T1000-821		DELETED		
-4S	161T1000-823		DELETED		
-4T	161T1000-831		BUILDUP ASSY-MLG (LH)	GS	RF
-4U	161T1000-827		BUILDUP ASSY-MLG (LH)	GU	RF
-4V	161T1000-829		DELETED		
-4W	161T1000-835		DELETED		
-4X	161T1000-837		BUILDUP ASSY-MLG (LH)	GX	RF
-4Y	161T1000-839		DELETED		
-4Z	161T1000-841		BUILDUP ASSY-MLG (LH)	GZ	RF
-5	161T1000-843		BUILDUP ASSY-MLG (LH)	HA	RF
-5A	161T1000-845		DELETED		
-5B	161T1000-847		DELETED		
-5C	161T1000-849		BUILDUP ASSY-MLG (LH)	HP	RF
-5D	161T1000-851		BUILDUP ASSY-MLG (LH)	HQ	RF
-5E	161T1000-853		DELETED		
-5F	161T1000-855		DELETED		
-5G	161T1000-857		BUILDUP ASSY-MLG (LH)	BL	RF
-5H	161T1000-859		BUILDUP ASSY-MLG (LH)	EG	RF
-5J	161T1000-825		BUILDUP ASSY-MLG (LH)	GT	RF
R -5K	161T1000-861		BUILDUP ASSY-MLG (LH)	HS	RF
R -5L	161T1000-863		BUILDUP ASSY-MLG (LH)	HT	RF
R -5M	161T1000-865		BUILDUP ASSY-MLG (LH)	HU	RF
R -5N	161T1000-727		BUILDUP ASSY-MLG (LH)	HY	RF
R -5P	161T1000-729		BUILDUP ASSY-MLG (LH)	HZ	RF
R -5Q	161T1000-731		BUILDUP ASSY-MLG (LH)	JA	RF
R -5R	161T1000-733		BUILDUP ASSY-MLG (LH)	JB	RF
R -5S	161T1000-735		BUILDUP ASSY-MLG (LH)	JC	RF
R -5T	161T1000-737		BUILDUP ASSY-MLG (LH)	JD	RF
R -5U	161T1000-739		BUILDUP ASSY-MLG (LH)	JE	RF
R -5V	161T1000-741		BUILDUP ASSY-MLG (LH)	JF	RF
R -5W	161T1000-743		BUILDUP ASSY-MLG (LH)	JG	RF
R -5X	161T1000-745		BUILDUP ASSY-MLG (LH)	JH	RF
R -5Y	161T1000-747		BUILDUP ASSY-MLG (LH)	JJ	RF
15	161T1327-1		.NUT	BL,EG ,FC,F G,FX, FY,GM ,GN GS-GU ,GX,G Z,HA, HP,HQ HS-HU	1

32-11-20

FIG. & ITEM	PART NO.	AIRLINE PART NUMBER	NOMENCLATURE 1234567	EFF CODE	QTY PER ASSY
17-16	161T1325-1		.WASHER	BL,EG ,FC,F G,FX, FY,GM ,GN GS-GU ,GX,G Z,HA, HP,HQ HS-HU	1
17	161T1329-1		.PIN-SHEAR	BL,EG ,FC,F G,FX, FY,GM ,GN GS-GU ,GX,G Z,HA, HP,HQ HS-HU	1
18	161T1326-1		.PIN ASSY	FC,FG ,FX,F Y,GM, GN,G S-GU	1
-18A	161T1326-3		.PIN ASSY	BL,EG ,GX,G Z,HA, HP,HQ HS-HU	1

# 32-11-20

 ILLUSTRATED PARTS LIST  
 01.1 Page 1074N  
 Nov 01/05

FIG. & ITEM	PART NO.	AIRLINE PART NUMBER	NOMENCLATURE 1234567	EFF CODE	QTY PER ASSY
17-19	161T1330-1		..BUSHING	FC,FG ,FX,F Y,GM, GN,G S-GU	1
-19A	161T1330-3		..BUSHING	BL,EG ,GX,G Z,HA, HP,HQ HS-HU	1
20	161T1326-2		..PIN- (LIFE LIMITED PART)	FC,FG ,FX,F Y,GM, GN,G S-GU	1
-20A	161T1326-4		..PIN- (LIFE LIMITED PART)	BL,EG ,GX,G Z,HA, HP,HQ HS-HU	1
21	NAS6704HU4		.BOLT	A-BH, BK-BZ ,EG, FB,FC ,FG FU-FY ,GM,G N,G S-GU, GX,GZ HA,HP ,HQ,H S-HU, HY-JJ	2

32-11-20

FIG. & ITEM	PART NO.	AIRLINE PART NUMBER	NOMENCLATURE 1234567	EFF CODE	QTY PER ASSY
17-22	AN960-416		.WASHER	A-BH, BP-BZ ,HY-J J	2
-22A	NAS1149F0463P		.WASHER	BK-BN ,EG, FB,FC ,FG,F U-FY GM,GN ,GS-G U,GX, GZ,HA ,HP HQ,H S-HU	2
23A	161T1306-2		.BOLT-RETAINING	A-BH, HY	1
-23B	161T1306-4		.BOLT-RETAINING (REWORK) (OPT ITEM 23C)	BM,BP ,FB,F U-FW, HZ,JA JC-JE ,JG, JH	1
-23C	161T1306-5		.BOLT-RETAINING (OPT ITEM 23B)	BM,BP ,FB,F U-FW, HZ,JA JC-JE ,JG, JH	1
R -23D	161T1306-5		.BOLT-RETAINING	JB,JF ,JJ	1
24	161T1305-2		.RING-RETAINING	A-BH, BK,B M-BZ, FB,F U-FW HY-JJ	1

# 32-11-20

 ILLUSTRATED PARTS LIST  
 01.1 Page 1074P  
 Nov 01/05

FIG. & ITEM	PART NO.	AIRLINE PART NUMBER	NOMENCLATURE	EFF CODE	QTY PER ASSY
17-25A	161T1301-1		.RACE ASSY-FWD TRUN BRG INNER	A-BH, BK-BZ ,EG, FA-FC ,FG FU-FW ,FY,G M,GN, GS-GU ,GX GZ,HA ,HP,H Q,H S-HU, HY-JJ	1
26A	161T1302-1		..BUSHING	A-BH, BK-BZ ,EG, FA-FC ,FG FU-FW ,FY,G M,GN, GS-GU ,GX GZ,HA ,HP,H Q,H S-HU, HY-JJ	2
27A	161T1301-2		..RACE	A-BH, BK-BZ ,EG, FA-FC ,FG FU-FW ,FY,G M,GN, GS-GU ,GX GZ,HA ,HP,H Q,H S-HU, HY-JJ	1

32-11-20



FIG. & ITEM	PART NO.	AIRLINE PART NUMBER	NOMENCLATURE 1234567	EFF CODE	QTY PER ASSY
17-28	161T1303-5		.HOUSING ASSY-FWD TRUN BRG	A-X, Z-AE, AJ,AK	1
28A	161T1303-7		.HOUSING ASSY-FWD TRUN BRG (SERIALIZED)	Y,A F-AH, AL-BH ,HY	1
-28B	161T1303-11		.HOUSING ASSY-FWD TRUN BRG (SERIALIZED)	BK,B M-BP, FB,F U-FW, HZ-JJ	1
28C	161T1323-1		.HOUSING ASSY-FWD TRUN BRG	FC,FG ,FX,F Y,GM, GN,G S-GU	1
-28D	161T1323-3		.HOUSING ASSY-FWD TRUN BRG	BL,EG ,GX,G Z,HA, HP,HQ HS-HU	1
31	1992B		..FITTING-LUBE (VOFKM1)	A-BH, BK,B M-BP, FB,FC ,FG FU-FY ,GM,G N,G S-GU, HY-JJ	2
-31A	1992B1		..FITTING-LUBE (VOFKM1)	BL,EG ,GX,G Z,HA, HP,HQ HS-HU	2

# 32-11-20

 ILLUSTRATED PARTS LIST  
 01.1 Page 1074R  
 Nov 01/05

FIG. & ITEM	PART NO.	AIRLINE PART NUMBER	NOMENCLATURE 1234567	EFF CODE	QTY PER ASSY
17-34	161T1304-3		..SLEEVE	A-BH, HY	1
-34A	161T1304-4		..SLEEVE	BK,B M-BP, FB,F U-FW, HZ-JJ	1
34B	161T1324-1		..SLEEVE	FC,FG ,FX,F Y,GM, GN,G S-GU	1
-34C	161T1324-2		..SLEEVE	BL,EG ,GX,G Z,HA, HP,HQ HR-HT	1
37	161T1303-6		..HOUSING	A-X, Z-AE, AJ,AK	1
-37A	161T1303-8		..HOUSING-(SERIALIZED)	Y,A F-AH, AL-BH ,HY	1
-37B	161T1303-12		..HOUSING-(SERIALIZED)	BK,B M-BP, FB,F U-FW, HZ-JJ	1
37C	161T1323-2		..HOUSING- (LIFE LIMITED PART)	FC,FG ,FX,F Y,GM, GN,G S-GU	1
-37D	161T1323-4		..HOUSING- (LIFE LIMITED PART)	BL,EG ,GX,G Z,HA, HP,HQ HS-HU	1

**32-11-20**

FIG. & ITEM	PART NO.	AIRLINE PART NUMBER	NOMENCLATURE 1234567	EFF CODE	QTY PER ASSY
17-40	161T1174-1		.FITTING ASSY-DOWNLOCK ACTR	A-BH, BK-BZ ,EG, FA-FC ,FG FU-FW ,FY,G M,GN, GS-GU ,GX GZ,HA ,HP,H Q,H S-HU, HY-JJ	1
43	161T1174-2		.FITTING ASSY-DOWNLOCK ACTR	A-BH, BK-BZ ,EG, FA-FC ,FG FU-FW ,FY,G M,GN, GS-GU ,GX GZ,HA ,HP,H Q,H S-HU, HY-JJ	1

# 32-11-20

 ILLUSTRATED PARTS LIST  
 01.1 Page 1074T  
 Nov 01/05

FIG. & ITEM	PART NO.	AIRLINE PART NUMBER	NOMENCLATURE	EFF CODE	QTY PER ASSY
17-46	NAS6712-43		.BOLT	A-BH, BK-BZ ,EG, FA-FC ,FG FU-FW ,FY,G M,GN, GS-GU ,GX GZ,HA ,HP,H Q,H S-HU, HY-JJ	1
49	NAS6712-47		.BOLT	A-BH, BK-BZ ,EG, FA-FC ,FG FU-FW ,FY,G M,GN, GS-GU ,GX GZ,HA ,HP,H Q,H S-HU, HY-JJ	1

**32-11-20**

FIG. & ITEM	PART NO.	AIRLINE PART NUMBER	NOMENCLATURE 1234567	EFF CODE	QTY PER ASSY
17-52	AN960C1216		.WASHER	A-BH, BP-BZ ,FA,H Y-JJ	2
-52A	NAS1149C1290R		.WASHER	BK-BN ,EG, FB,FC ,FG,F U-FY GM,GN ,GS-G U,GX, GZ,HA ,HP HQ,H S-HU	2
55	H10-12BAC		.NUT- (V15653) (SPEC BACN10JC12) (OPT RMLH9074-12 (V72962)) (OPT 48FT1216 (V56878)) (OPT BMN4122AD3-12 (V97928))	A-BH, BP-BZ ,FA,H Y-JJ	2
-55A	H51650-12BAC		.NUT- (V15653) (SPEC BACN10JC12CD) (OPT 102LH9074-12 (V72962)) (OPT 69235-1216CD (V92215)) (OPT BMN4122CPD8-12 (V97928))	BK-BN ,EG, FB,FC ,FG,F U-FY GM,GN ,GS-G U,GX, GZ,HA ,HP HQ,H S-HU	2

# 32-11-20

 ILLUSTRATED PARTS LIST  
 01.1 Page 1074V  
 Nov 01/05

FIG. & ITEM	PART NO.	AIRLINE PART NUMBER	NOMENCLATURE 1234567	EFF CODE	QTY PER ASSY
17-58	NAS6714-43		.BOLT	A-BH, BK-BZ ,EG, FA-FC ,FG FU-FY ,GM,G N,G S-GU, GX,GZ HA,HP ,HQ,H S-HU, HY-JJ	1
61	NAS6714-51		.BOLT	A-BH, BK-BZ ,EG, FA-FC ,FG FU-FY ,GM,G N,G S-GU, GX,GZ HA,HP ,HQ,H S-HU, HY-JJ	1
64	AN960C1416		.WASHER	A-BH, BP-BZ ,FA,H Y-JJ	2
-64A	NAS1149C1490R		.WASHER	BK-BN ,EG, FB,FC ,FG,F U-FY GM,GN ,GS-G U,GX, GZ,HA ,HP HQ,H S-HU	2

32-11-20

FIG. & ITEM	PART NO.	AIRLINE PART NUMBER	NOMENCLATURE 1234567	EFF CODE	QTY PER ASSY
17-67	H10-14BAC		.NUT- (V15653) (SPEC BACN10JC14) (OPT BMN4122A14 (V85495)) (OPT RMLH9074-14 (V72962)) (OPT 48FT1414 (V56878)) (OPT BMN4122AD3-14 (V97928))	A-BH, BP-BZ ,FA,H Y-JJ	2
-67A	H51650-14BAC		.NUT- (V15653) (SPEC BACN10JC14CD) (OPT 102LH9074-14 (V72962)) (OPT 69235-1414CD (V92215)) (OPT BMN4122CPD8-14 (V97928))	BK-BN ,EG, FB,FC ,FG,F U-FY GM,GN ,GS-G U,GX, GZ,HA ,HP HQ,H S-HU	2
70	161T6041-1		-----*----- . .BUSHING	A-BH, BK-BZ ,EG, FA-FC ,FG FU-FY ,GM,G N,G S-GU, GX,GZ HA,HP ,HQ,H S-HU, HY-JJ	2

# 32-11-20

 ILLUSTRATED PARTS LIST  
 01.1 Page 1074X  
 Nov 01/05

FIG. & ITEM	PART NO.	AIRLINE PART NUMBER	NOMENCLATURE 1234567	EFF CODE	QTY PER ASSY
17-73	161T1210-23		..BUSHING	A-BH, BK-BZ ,EG, FA-FC ,FG FU-FY ,GM,G N,G S-GU, GX,GZ HA,HP ,HQ,H S-HU, HY-JJ	2
76	161T1210-24		..BUSHING	A-BH, BK-BZ ,EG, FA-FC ,FG FU-FY ,GM,G N,G S-GU, GX,GZ HA,HP ,HQ,H S-HU, HY-JJ	2
79	161T1174-3		..FITTING- (USED ON ITEM 40)	A-BH, BK-BZ ,EG, FA-FC ,FG FU-FY ,GM,G N,G S-GU, GX,GZ HA,HP ,HQ,H S-HU, HY-JJ	1

**32-11-20**



FIG. & ITEM	PART NO.	AIRLINE PART NUMBER	NOMENCLATURE 1234567	EFF CODE	QTY PER ASSY
17-82	161T1174-4		..FITTING- (USED ON ITEM 43)	A-BH, BK-BZ ,EG, FA-FC ,FG FU-FY ,GM,G N,G S-GU, GX,GZ HA,HP ,HQ,H S-HU, HY-JJ	1
85	113T8222-1		.FITTING ASSY-DOOR	A-BH, BK-BZ ,EG, FA-FC ,FG FU-FY ,GM,G N,G S-GU, GX,GZ HA,HP ,HQ,H S-HU, HY-JJ	1
91	BACB28AM09B020A		..BUSHING	A-BH, BK-BZ ,EG, FA-FC ,FG FU-FY ,GM,G N,G S-GU, GX,GZ HA,HP ,HQ,H S-HU, HY-JJ	1

# 32-11-20

 ILLUSTRATED PARTS LIST  
 01.1 Page 1074Z  
 Nov 01/05

FIG. & ITEM	PART NO.	AIRLINE PART NUMBER	NOMENCLATURE 1234567	EFF CODE	QTY PER ASSY
17-93	BACB28AP06P020		..BUSHING	A-BH, BK-BZ ,EG, FA-FC ,FG FU-FY ,GM,G N,G S-GU, GX,GZ HA,HP ,HQ,H S-HU, HY-JJ	1
96	113T8222-3		..FITTING	A-BH, BK-BZ ,EG, FA-FC ,FG FU-FY ,GM,G N,G S-GU, GX,GZ HA,HP ,HQ,H S-HU, HY-JJ	1
102	161T1307-5		.BOLT ASSY-LOCK ACTR SPRT	A-BH, BK-BZ ,EG, FA-FC ,FG FU-FY ,GM,G N,G S-GU, GX,GZ HA,HP ,HQ,H S-HU, HY-JJ	1

32-11-20

FIG. & ITEM	PART NO.	AIRLINE PART NUMBER	NOMENCLATURE 1234567	EFF CODE	QTY PER ASSY
17-105	BACB28X6M025		..BUSHING	A-BH, BK-BZ ,EG, FA-FC ,FG FU-FY ,GM,G N,G S-GU, GX,GZ HA,HP ,HQ,H S-HU, HY-JJ	1
108	BACB28X9M025		..BUSHING	A-BH, BK-BZ ,EG, FA-FC ,FG FU-FY ,GM,G N,G S-GU, GX,GZ HA,HP ,HQ,H S-HU, HY-JJ	1
111	161T1307-6		..BOLT	A-BH, BK-BZ ,EG, FA-FC ,FG FU-FY ,GM,G N,G S-GU, GX,GZ HA,HP ,HQ,H S-HU, HY-JJ	1

# 32-11-20

 ILLUSTRATED PARTS LIST  
 01.1 Page 1076  
 Nov 01/05

FIG. & ITEM	PART NO.	AIRLINE PART NUMBER	NOMENCLATURE 1234567	EFF CODE	QTY PER ASSY
17-113	AN960C1616		.WASHER- (OPT TO ITEM 113A)	A-BH, BP-BZ ,HY-J J	1
-113A	AN960-1616		.WASHER- (PREF) (OPT TO ITEM 113)	A-BH, BP-BZ ,HY-J J	1
-113B	NAS1149C1690R		.WASHER	BK-BN ,EG, FB,FC ,FG,F U-FY GM,GN ,GS-G U,GX, GZ,HA ,HP HQ,H S-HU	1
116	AN960C1616L		.WASHER- (OPT TO ITEM 116L)	A-BH, BK,B M-BZ, HY-JJ	AR
-116L	AN960-1616L		.WASHER- (PREF) (OPT TO ITEM 116)	A-BH, BK,B M-BZ, HY-JJ	AR
119	RMTE9868-16		.NUT- (V98403) (OPT ITEM 119B)	A-BH, BK-BZ ,EG, FA-FC ,FG FU-FY ,GM,G N,G S-GU, GX,GZ HA,HP ,HQ,H S-HU, HY-JJ	1

**32-11-20**

FIG. & ITEM	PART NO.	AIRLINE PART NUMBER	NOMENCLATURE 1234567	EFF CODE	QTY PER ASSY
17- -119B	56287M1612		.NUT- (V56878) (OPT ITEM 119)	A-BH, BK-BZ ,EG, FA-FC ,FG FU-FY ,GM,G N,G S-GU, GX,GZ HA,HP ,HQ,H S-HU, HY-JJ	1
122	287T6111-5		.BRACKET-ELEC	A-BH, BK-BZ ,EG, FA-FC ,FG FU-FY ,GM,G N,G S-GU, GX,GZ HA,HP ,HQ,H S-HU, HY-JJ	1
128	287T6111-7		.BRACKET-ELEC	A-BH, BK-BZ ,EG, FA-FC ,FG FU-FY ,GM,G N,G S-GU, GX,GZ HA,HP ,HQ,H S-HU, HY-JJ	1

# 32-11-20

 ILLUSTRATED PARTS LIST  
 01.1 Page 1076B  
 Nov 01/05

FIG. & ITEM	PART NO.	AIRLINE PART NUMBER	NOMENCLATURE 1234567	EFF CODE	QTY PER ASSY
17-134	MS24665-359		.PIN-COTTER	A-BH, BP-BZ ,HY-J J	1
-134A	BACP18BC04C14P		.PIN-COTTER	BK-BN ,EG, FB,FC ,FG,F U-FY GM,GN ,GS-G U,GX, GZ,HA ,HP HQ,H S-HU	1
137	MS24665-360		.PIN-COTTER	A-BH, BP-BZ ,HY-J J	1
-137A	BACP18BC04C16P		.PIN-COTTER	BK-BN ,EG, FB,FC ,FG,F U-FY GM,GN ,GS-G U,GX, GZ,HA ,HP HQ,H S-HU	1

32-11-20

FIG. & ITEM	PART NO.	AIRLINE PART NUMBER	NOMENCLATURE 1234567	EFF CODE	QTY PER ASSY
17-140	161T1172-1		.FITTING ASSY-DRAG STRUT DOWNLOCK	A-X,Z ,AD	1
-140A	161T1172-5		.FITTING ASSY-DRAG STRUT DOWNLOCK (SERIALIZED)	Y,A F-AH, AL-BF ,BK-B Z,EG FA-FC ,FG,F U-FY, GM,GN GS-GU ,GX,G Z,HA, HP,H S-HU HY-JJ	1
-140B	161T1172-1		.FITTING ASSY-DRAG STRUT DOWNLOCK (OPT ITEM 140C)	AA,AB ,AE,A J,AK	1
-140C	161T1172-5		.FITTING ASSY-DRAG STRUT DOWNLOCK (SERIALIZED) (OPT ITEM 140B)	AA,AB ,AE,A J,AK	1
146	NAS6714D54		ATTACHING PARTS .BOLT	A-BH, BK-BZ ,EG, FA-FC ,FG FU-FY ,GM,G N,G S-GU, GX,GZ HA,HP ,HQ,H S-HU, HY-JJ	1

# 32-11-20

 ILLUSTRATED PARTS LIST  
 01.1 Page 1076D  
 Nov 01/05

FIG. & ITEM	PART NO.	AIRLINE PART NUMBER	NOMENCLATURE 1234567	EFF CODE	QTY PER ASSY
17-149	AN960C1416		.WASHER	A-BH, BP-BZ ,FA,H Y-JJ	1
-149A	NAS1149C1490R		.WASHER	BK-BN ,EG, FA,FC ,FG,F U-FY GM,GN ,GS-G U,GX, GZ,HA ,HP HQ,H S-HU	1
152	H10-14BAC		.NUT- (V15653) (SPEC BACN10JC14) (OPT BMN4122A14 (V85495)) (OPT RMLH9074-14 (V72962)) (OPT 48FT1414 (V56878)) (OPT BMN4122AD3-14 (V97928))	A-BH, BP-BZ ,FA,H Y-JJ	1
-152A	H51650-14BAC		.NUT- (V15653) (SPEC BACN10JC14CD) (OPT 102LH9074-14 (V72962)) (OPT 69235-1414CD (V92215)) (OPT BMN4122CPD8-14 (V97928))	BK-BN ,EG, FA,FC ,FG,F U-FY GM,GN ,GS-G U,GX, GZ,HA ,HP HQ,H S-HU	1

32-11-20



FIG. & ITEM	PART NO.	AIRLINE PART NUMBER	NOMENCLATURE 1234567	EFF CODE	QTY PER ASSY
17-155	161T1307-4		.BOLT	A-BH, BK-BZ ,EG, FA-FC ,FG FU-FY ,GM,G N,G S-GU, GX,GZ HA,HP ,HQ,H S-HU, HY-JJ	1
158	AN960C1616		.WASHER- (OPT TO ITEM 158A)	A-BH, BP-BZ ,FA,H Y-JJ	AR
-158A	AN960-1616		.WASHER- (PREF) (OPT TO ITEM 158)	A-BH, BP-BZ ,FA,H Y-JJ	AR
-158B	NAS1149C1690R		.WASHER	BK-BN ,EG, FA,FC ,FG,F U-FY GM,GN ,GS-G U,GX, GZ,HA ,HP HQ,H S-HU	AR

# 32-11-20

 ILLUSTRATED PARTS LIST  
 01.1 Page 1076F  
 Nov 01/05

FIG. & ITEM	PART NO.	AIRLINE PART NUMBER	NOMENCLATURE 1234567	EFF CODE	QTY PER ASSY
17-161	AN960C1616L		.WASHER- (OPT TO ITEM 161A)	A-BH, BK,B M-BZ, FA,H Y-JJ	AR
-161A	AN960-1616L		-----*----- .WASHER- (PREF) (OPT TO ITEM 161)	A-BH, BK,B M-BZ, FA,H Y-JJ	AR
164	RMTE9868-16		ATTACHING PARTS .NUT- (V98403) (OPT ITEM 164B)	A-BH, BK-BZ ,EG, FA-FC ,FG FU-FY ,GM,G N,G S-GU, GX,GZ HA,HP ,HQ,H S-HU, HY-JJ	1
-164B	56287M1612		.NUT- (V56878) (OPT ITEM 164)	A-BH, BK-BZ ,EG, FA-FC ,FG FU-FY ,GM,G N,G S-GU, GX,GZ HA,HP ,HQ,H S-HU, HY-JJ	1
			-----*-----		

**32-11-20**

ILLUSTRATED PARTS LIST  
01.1 Page 1076G  
Nov 01/05

FIG. & ITEM	PART NO.	AIRLINE PART NUMBER	NOMENCLATURE 1234567	EFF CODE	QTY PER ASSY
17-167	1728B		..FITTING-LUBE (VOFKM1)	A-BH, BK-BZ ,EG, FA-FC ,FG FU-FY ,GM,G N,G S-GU, GX,GZ HA,HP ,HQ,H S-HU, HY-JJ	1
170	161T1210-5		..BUSHING	A-BH, BK-BZ ,EG, FA-FC ,FG FU-FY ,GM,G N,G S-GU, GX,GZ HA,HP ,HQ,H S-HU, HY-JJ	2
173	161T1210-18		..BUSHING	A-BH, BK-BZ ,EG, FA-FC ,FG FU-FY ,GM,G N,G S-GU, GX,GZ HA,HP ,HQ,H S-HU, HY-JJ	2

# 32-11-20

 ILLUSTRATED PARTS LIST  
 01.1 Page 1076H  
 Nov 01/05

FIG. & ITEM	PART NO.	AIRLINE PART NUMBER	NOMENCLATURE 1234567	EFF CODE	QTY PER ASSY
17-176	161T1210-29		..BUSHING	A-BH, BK-BZ ,EG, FA-FC ,FG FU-FY ,GM,G N,G S-GU, GX,GZ HA,HP ,HQ,H S-HU, HY-JJ	1
179	161T1210-30		..BUSHING	A-BH, BK-BZ ,EG, FA-FC ,FG FU-FY ,GM,G N,G S-GU, GX,GZ HA,HP ,HQ,H S-HU, HY-JJ	1
182A	161T1172-3		..FITTING- (USED ON ITEMS 140, 140B)	A-X,Z ,AA,A B,AD, AE,AJ ,AK	1
-182B	161T1172-7		..FITTING-(SERIALIZED) (USED ON ITEMS 140A, 140C)	Y,AA, AB,A E-BH, BK-BZ ,EG FA-FC ,FG,F U-FY, HP,HQ HS-HU ,HY-J J	1

**32-11-20**

ILLUSTRATED PARTS LIST  
01.1 Page 1076I  
Nov 01/05

FIG. & ITEM	PART NO.	AIRLINE PART NUMBER	NOMENCLATURE 1234567	EFF CODE	QTY PER ASSY
17-188	MS24665-359		.PIN-COTTER	A-BH, BP-BZ ,HY-J J	1
-188A	BACP18BC04C14P		.PIN-COTTER	BK-BN ,EG, FB,FC ,FG,F U-FY GM,GN ,GS-G U,GX, GZ,HA ,HP HQ,H S-HU	1
191	MS24665-360		.PIN-COTTER	A-BH, BP-BZ ,HY-J J	1
-191A	BACP18BC04C16P		.PIN-COTTER	BK,BM ,BN,E G,FB, FC,FG FU-FY ,GM,G N,G S-GU, GX,GZ HA,HP ,HQ,H S-HU	1

# 32-11-20

 ILLUSTRATED PARTS LIST  
 01.1 Page 1076J  
 Nov 01/05

FIG. & ITEM	PART NO.	AIRLINE PART NUMBER	NOMENCLATURE 1234567	EFF CODE	QTY PER ASSY
17-194	161T1173-1		.FITTING ASSY-SIDE STRUT DOWNLOCK	A-X,Z ,AD	1
-194A	161T1173-5		.FITTING ASSY-SIDE STRUT DOWNLOCK (SERIALIZED)	Y,A F-AH, AL-BF ,BH,B K-BZ EG,F A-FC, FG,F U-FY, GM,GN GS-GU ,GX,G Z,HA, HP,HQ HS-HU ,HY-J J	1
-194B	161T1173-1		.FITTING ASSY-SIDE STRUT DOWNLOCK (OPT ITEM 194C)	AA,AB ,AE,A J,AK	1
-194C	161T1173-5		.FITTING ASSY-SIDE STRUT DOWNLOCK (SERIALIZED) (OPT ITEM 194B)	AA,AB ,AE,A J,AK	1
200A	NAS6714D54		ATTACHING PARTS .BOLT	A-BH, BK-BZ ,EG, FA-FC ,FG FU-FY ,GM,G N,G S-GU, GX,GZ HA,HP ,HQ,H S-HU, HY-JJ	1

32-11-20

ILLUSTRATED PARTS LIST  
01.1 Page 1076K  
Nov 01/05

FIG. & ITEM	PART NO.	AIRLINE PART NUMBER	NOMENCLATURE 1234567	EFF CODE	QTY PER ASSY
17-203	AN960C1416		.WASHER	A-BH, BP-BZ ,FA,H Y-JJ	1
-203A	NAS1149C1490R		.WASHER	BK,BM ,BN,E G,FB, FC,FG FU-FY ,GM,G N,G S-GU, GX,GZ HA,HP ,HQ,H S-HU	1
206	H10-14BAC		.NUT- (V15653) (SPEC BACN10JC14) (OPT BMN4122A14 (V85495)) (OPT RMLH9074-14 (V72962)) (OPT 48FT1414 (V56878)) (OPT BMN4122AD3-14 (V97928))	A-BH, BP-BZ ,FA, FC,FG FX,FY ,GM,G N,G S-GU, HY-JJ	1
-206A	BACN10JC14CN		DELETED		
-206B	H51650-14BAC		.NUT- (V15653) (SPEC BACN10JC14CD) (OPT 102LH9074-14 (V72962)) (OPT 69235-1414CD (V92215)) (OPT BMN4122CPD8-14 (V97928)) -----*	BK-BN ,EG,H P,HQ, HS-HU	1

# 32-11-20

 ILLUSTRATED PARTS LIST  
 01.1 Page 1076L  
 Nov 01/05

FIG. & ITEM	PART NO.	AIRLINE PART NUMBER	NOMENCLATURE 1234567	EFF CODE	QTY PER ASSY
17-209	1728B		..FITTING-LUBE (VOFKM1)	A-BH, BK-BZ ,EG, FA-FC ,FG FU-FY ,GM,G N,G S-GU, GX,GZ HA,HP ,HQ,H S-HU, HY-JJ	1
212	161T1210-5		..BUSHING	A-BH, BK-BZ ,EG, FA-FC ,FG FU-FY ,GM,G N,G S-GU, GX,GZ HA,HP ,HQ,H S-HU, HY-JJ	2
215	161T1210-18		..BUSHING	A-BH, BK-BZ ,EG, FA-FC ,FG FU-FY ,GM,G N,G S-GU, GX,GZ HA,HP ,HQ,H S-HU, HY-JJ	2

**32-11-20**



FIG. & ITEM	PART NO.	AIRLINE PART NUMBER	NOMENCLATURE 1234567	EFF CODE	QTY PER ASSY
17-218	161T1210-44		..BUSHING	A-BH, BK-BZ ,EG, FA-FC ,FG FU-FY ,GM,G N,G S-GU, GX,GZ HA,HP ,HQ,H S-HU, HY-JJ	1
221	161T1210-45		..BUSHING	A-BH, BK-BZ ,EG, FA-FC ,FG FU-FY ,GM,G N,G S-GU, GX,GZ HA,HP ,HQ,H S-HU, HY-JJ	1
224	161T1173-3		..FITTING- (USED ON ITEM 194)	A-X,Z ,AD	1

# 32-11-20

 ILLUSTRATED PARTS LIST  
 01.1 Page 1076N  
 Nov 01/05

FIG. & ITEM	PART NO.	AIRLINE PART NUMBER	NOMENCLATURE	EFF CODE	QTY PER ASSY
17- -224A	161T1173-7		1234567 ..FITTING- (USED ON ITEM 194A)	Y,A F-AH, AL-BF ,BH,B K-BZ EG,F A-FC, FG,F U-FY, GM,GN GS-GU ,GX,G Z,HA, HP,HQ HS-HU ,HY-J J	1
230	161T2008-1		.SPINDLE ASSY-SIDE STRUT LWR (OPT ITEM 230A)	B,C,F ,G, J-L,R ,U,Z, AD,AN AV,B C-BE, BK,BU ,BV,B X,FB FU,GM ,GN,G X,HS, HY,HZ ,JC JE	1

32-11-20

FIG. & ITEM	PART NO.	AIRLINE PART NUMBER	NOMENCLATURE	EFF CODE	QTY PER ASSY
17- -230A	161T2008-3		.SPINDLE ASSY-SIDE STRUT LWR (OPT ITEM 230)	B,C,F ,G, J-L,R ,U,Z, AD,AN AV,B C-BE, BK,BU ,BV,B X,FB FU,GM ,GN,G X,HS, HY,HZ ,JC JE	1
-230B	161T2008-5		.SPINDLE ASSY-SIDE STRUT LWR	A,D,E ,H, M-Q,S ,T, V-Y AA-AC ,AE-A M,A P-AU, AW-BB BF-BH ,BL-B T,BV, BW,BY ,BZ EG,FC ,FG,F V-FY, GS-GU ,GZ HA,HP ,HQ,H T,HU, JA,JB ,JD JF-JJ	1
			ATTACHING PARTS		

# 32-11-20

 ILLUSTRATED PARTS LIST  
 01.1 Page 1076P  
 Nov 01/05

FIG. & ITEM	PART NO.	AIRLINE PART NUMBER	NOMENCLATURE 1234567	EFF CODE	QTY PER ASSY
17-233	NAS6604-12		.BOLT	A-BH, BK-BZ ,EG, FB,FC ,FG FU-FY ,GM,G N,G S-GU, GX,GZ HA,HP ,HQ,H S-HU, HY-JJ	2
236	AN960-416		.WASHER	A-BH, BP-BZ ,HY-J J	2
-236A	NAS1149F0463P		.WASHER	BK-BN ,EG, FB,FC ,FG,F U-FY GM,GN ,GS-G U,GX, GZ,HA ,HP HQ,H S-HU	2

**32-11-20**

ILLUSTRATED PARTS LIST  
01.1 Page 1076Q  
Nov 01/05

FIG. & ITEM	PART NO.	AIRLINE PART NUMBER	NOMENCLATURE 1234567	EFF CODE	QTY PER ASSY
17-239	BRH10A4		.NUT- (V52828) (SPEC BACN10JC4) (OPT T6S428J (V11815)) (OPT 96-048 (V80539)) (OPT VN303A048 (V92215)) (OPT RMLH9075-4W (V72962)) (OPT NS202101-048 (V80539)) (OPT H10-4BAC (V15653))	A-BH, BP-BZ ,HY-J J	2
-239A	BRH10C4D		.NUT- (V52828) (SPEC BACN10JC4CD) (OPT T6C428JCD (V11815)) (OPT NS202486-048 (V80539)) (OPT 102LH9075-4W (V72962)) (OPT H51650-4BAC (V15653))	BK-BN ,EG, FB,FC ,FG,F U-FY GM,GN ,GS-G U,GX, GZ,HA ,HP HQ,H S-HU	2
302	161T2015-1		.NUT	A-BH, BK-BZ ,EG, FB,FC ,FG FU-FY ,GM,G N,G S-GU, GX,GZ HA,HP ,HQ,H S-HU, HY-JJ	1

# 32-11-20

 ILLUSTRATED PARTS LIST  
 01.1 Page 1076R  
 Nov 01/05

FIG. & ITEM	PART NO.	AIRLINE PART NUMBER	NOMENCLATURE	EFF CODE	QTY PER ASSY
17-305	65B05457-2		.WASHER	A-BH, BK-BZ ,EG, FB,FC ,FG FU-FY ,GM,G N,G S-GU, GX,GZ HA,HP ,HQ,H S-HU, HY-JJ	1
308	1992B		-----*----- ..FITTING-LUBE (VOFKM1)	A-BH, BK-BZ ,EG, FB,FC ,FG FU-FY ,GM,G N,G S-GU, GX,GZ HA,HP ,HQ,H S-HU, HY-JJ	2

**32-11-20**

FIG. & ITEM	PART NO.	AIRLINE PART NUMBER	NOMENCLATURE 1234567	EFF CODE	QTY PER ASSY
17-311	161T6040-11		..BUSHING	A-BH, BK-BZ ,EG, FB,FC ,FG FU-FY ,GM,G N,G S-GU, GX,GZ HA,HP ,HQ,H S-HU, HY-JJ	4
314	161T2049-1		..BUSHING	A-BH, BK-BZ ,EG, FB,FC ,FG FU-FY ,GM,G N,G S-GU, GX,GZ HA,HP ,HQ,H S-HU, HY-JJ	2
317	161T2008-2		..SPINDLE- (USED ON ITEM 230)	B,C,F ,G, J-L,R ,U,Z, AD,AN AV,B C-BE, BK,BU ,BV,B X,FB FU,GM ,GN,G X,HS, HY,HZ ,JC JE	1

# 32-11-20

 ILLUSTRATED PARTS LIST  
 01.1 Page 1076T  
 Nov 01/05

FIG. & ITEM	PART NO.	AIRLINE PART NUMBER	NOMENCLATURE	EFF CODE	QTY PER ASSY
17- -317A	161T2008-4		1234567 ..SPINDLE- (USED ON ITEM 230A)	B,C,F ,G, J-L,R ,U,Z, AD,AN AV,B C-BE, BK,BU ,BV,B X,FB FU,GM ,GN,G X,HS, HY,HZ ,JA JB	1
-317B	161T2008-6		..SPINDLE- (USED ON ITEM 230B)	A,D,E ,H, M-Q,S ,T, V-Y AA-AC ,AE-A M,A P-AU, AW-BB BF-BH ,BL-B T,BV, BW,BY ,BZ EG,FC ,FG,F V-FY, GS-GU ,GZ HA,HP ,HQ,H T,HU, JA,JB ,JD JF-JJ	1

32-11-20



FIG. & ITEM	PART NO.	AIRLINE PART NUMBER	NOMENCLATURE 1234567	EFF CODE	QTY PER ASSY
17-320	161T6005-1		.SPINDLE ASSY-DRAG STRUT LWR (OPT ITEM 320B)	A-C, E-M, P-T,V ,W,Y, Z,A C-AE AH,AN ,AP,A S-AV, AY-BA ,BC BE,BG ,BH,B K,B S-BY, FB,FU FX,GM ,GN,G S,GU, GX,HS HY-JE ,JH	1
-320A	161T6005-3		.SPINDLE ASSY-DRAG STRUT LWR	D,N,U ,X,AA ,AB,A F,AG, AJ-AM AQ,AR ,AW,A X,BB, BD,BF BL-BR ,BZ,E G,FA, FC,FG ,FV FW,FY ,GT,G Z,HA, HP,HQ ,HT HU,JF ,JG,J J	1

# 32-11-20

 ILLUSTRATED PARTS LIST  
 01.1 Page 1076V  
 Nov 01/05

FIG. & ITEM	PART NO.	AIRLINE PART NUMBER	NOMENCLATURE	EFF CODE	QTY PER ASSY
17-320B	161T6005-3		1234567 SPINDLE ASSY-DRAG STRUT LWR (OPT ITEM 320)	A-C, E-M, P-T,V ,W,Y, Z,A C-AE AH,AN ,AP,A S-AV, AY-BA ,BC BE,BG ,BH,B K,B S-BY, FB,FU FX,GM ,GN,G S,GU, GX,HS HY-JE ,JH	1
323	NAS6604-17		ATTACHING PARTS .BOLT	A-BH, BK,B M-BZ, EG,FB ,FC,F G FU-FY ,GM,G N,G S-GU, GX,GZ HA,HP ,HQ,H S-HU, HY-JJ	2

32-11-20

FIG. & ITEM	PART NO.	AIRLINE PART NUMBER	NOMENCLATURE 1234567	EFF CODE	QTY PER ASSY
17-326	AN960-416		.WASHER	A-BH, BP-BZ ,HY-J J	2
-326A	NAS1149F0463P		.WASHER	BK-BN ,EG, FB,FC ,FG,F U-FY GM,GN ,GS-G U,GX, GZ,HA ,HP HQ,H S-HU A-BH, BP-BZ ,HY-J J	2
329	BRH10A4		.NUT- (V52828) (SPEC BACN10JC4) (OPT T6S428J (V11815)) (OPT 96-048 (V80539)) (OPT VN303A048 (V92215)) (OPT RMLH9075-4W (V72962)) (OPT NS202101-048 (V80539)) (OPT H10-4BAC (V15653))		2

# 32-11-20

 ILLUSTRATED PARTS LIST  
 01.1 Page 1076X  
 Nov 01/05

FIG. & ITEM	PART NO.	AIRLINE PART NUMBER	NOMENCLATURE	EFF CODE	QTY PER ASSY
17-329A	BRH10C4D		1234567 .NUT- (V52828) (SPEC BACN10JC4CD) (OPT T6C428JCD (V11815)) (OPT NS202486-048 (V80539)) (OPT 102LH9075-4W (V72962)) (OPT H51650-4BAC (V15653))	BK-BN ,EG, FB,FC ,FG,F U-FY GM,GN ,GS-G U,GX, GZ,HA ,HP HQ,H S-HU	2
332	161T6019-1		.NUT	A-BH, BK-BZ ,EG, FB,FC ,FG FU-FY ,GM,G N,G S-GU, GX,GZ HA,HP ,HQ,H S-HU, HY-JJ	1
335	161T6020-1		.WASHER	A-BH, BK-BZ ,EG, FB,FC ,FG FU-FY ,GM,G N,G S-GU, GX,GZ HA,HP ,HQ,H S-HU, HY-JJ	1
			-----*		

32-11-20

FIG. & ITEM	PART NO.	AIRLINE PART NUMBER	NOMENCLATURE 1234567	EFF CODE	QTY PER ASSY
17-338	1728B		..FITTING-LUBE (VOFKM1)	A-BH, BK-BZ ,EG, FB,FC ,FG FU-FY ,GM,G N,G S-GU, GX,GZ HA,HP ,HQ,H S-HU, HY-JJ	1
341	161T6038-1		..BUSHING	A-BH, BK-BZ ,EG, FB,FC ,FG FU-FY ,GM,G N,G S-GU, GX,GZ HA,HP ,HQ,H S-HU, HY-JJ	4
344	161T6044-1		..BUSHING	A-BH, BK-BZ ,EG, FB,FC ,FG FU-FY ,GM,G N,G S-GU, GX,GZ HA,HP ,HQ,H S-HU, HY-JJ	2

# 32-11-20

 ILLUSTRATED PARTS LIST  
 01.1 Page 1076Z  
 Nov 01/05

FIG. & ITEM	PART NO.	AIRLINE PART NUMBER	NOMENCLATURE 1234567	EFF CODE	QTY PER ASSY
17-347	161T6005-2		..SPINDLE- (USED ON ITEM 320)	A-C, E-M, P-T,V ,W,Y, Z,A C-AE AH,AN ,AP,A S-AV, AY-BA ,BC BE,BG ,BH,B K,B S-BY, FB,FU FX,GM ,GN,G S,GU, GX,HS HY-JE ,JH	1
-347A	161T6005-4		..SPINDLE- (USED ON ITEMS 320A, 320B)	A-BH, BK-BZ ,EG, FB,FC ,FG FU-FY ,GM,G N,G S-GU, GX,GZ HA,HP ,HQ,H S-HU, HY-JJ	1

32-11-20

ILLUSTRATED PARTS LIST

01.1

Page 1077

Nov 01/05

FIG. & ITEM	PART NO.	AIRLINE PART NUMBER	NOMENCLATURE 1234567	EFF CODE	QTY PER ASSY
17-350	MS24665-359		.PIN-COTTER	A-BH, BP-BZ ,HY-J J	1
-350A	BACP18BC04C14P		.PIN-COTTER	BK-BN ,EG, FB,FC ,FG,F U-FY GM,GN ,GS-G U,GX, GZ,HA ,HP HQ,H S-HU	1
353	161T1183-1		.BOLT ASSY	A-BH, BK-BZ ,EG, FA-FC ,FG FU-FY ,GM,G N,G S-GU, GX,GZ HA,HP ,HQ,H S-HU, HY-JJ	1

# 32-11-20

 ILLUSTRATED PARTS LIST  
 01.1 Page 1078  
 Nov 01/05

FIG. & ITEM	PART NO.	AIRLINE PART NUMBER	NOMENCLATURE 1234567	EFF CODE	QTY PER ASSY
17-356	1728B		..FITTING-LUBE (VOFKM1)	A-BH, BK-BZ ,EG, FA-FC ,FG FU-FY ,GM,G N,G S-GU, GX,GZ HA,HP ,HQ,H S-HU, HY-JJ	1
359	161T1183-2		..BOLT	A-BH, BK-BZ ,EG, FA-FC ,FG FU-FY ,GM,G N,G S-GU, GX,GZ HA,HP ,HQ,H S-HU, HY-JJ	1
362	162T2015-5		.WASHER	A-BH, BK-BZ ,EG, FA-FC ,FG FU-FY ,GM,G N,G S-GU, GX,GZ HA,HP ,HQ,H S-HU, HY-JJ	1

**32-11-20**



FIG. & ITEM	PART NO.	AIRLINE PART NUMBER	NOMENCLATURE 1234567	EFF CODE	QTY PER ASSY
17-365	H10-14BAC		.NUT- (V15653) (SPEC BACN10JC14) (OPT BMN4122A14 (V85495)) (OPT RMLH9074-14 (V72962)) (OPT 48FT1414 (V56878)) (OPT BMN4122AD3-14 (V97928))	A-BH, BP-BZ ,HY-J J	1
-365A	H51650-14BAC		.NUT- (V15653) (SPEC BACN10JC14CD) (OPT 102LH9074-14 (V72962)) (OPT 69235-1414CD (V92215)) (OPT BMN4122CPD8-14 (V97928))	BK-BN ,EG, FB,FC ,FG,F U-FY GM,GN ,GS-G U,GX, GZ,HA ,HP HQ,H S-HU	1
368	NH1005202-10		.CLAMP- (V00624) (OPT ITEM 368B)	A-C,F ,J,L, M	4
-368A	NH1005380-10		.CLAMP- (V00624) (OPT ITEM 368C)	E	4
-368B	VC1297		.CLAMP- (V14242) (OPT ITEM 368)	A-C,F ,J,L, M	4
-368C	VC1296-875		.CLAMP- (V14242) (OPT ITEM 368A)	E	4

# 32-11-20

 ILLUSTRATED PARTS LIST  
 01.1 Page 1078B  
 Nov 01/05

FIG. & ITEM	PART NO.	AIRLINE PART NUMBER	NOMENCLATURE 1234567	EFF CODE	QTY PER ASSY
17-371	161T1000-84		.CAP ASSY-HUB	A-C,F J,L M	4
373	161T1211-10		..CAP ASSY- (OPT ITEM 373A)	A-C,F J,L M	1
-373A	161T1211-13		..CAP ASSY- (OPT ITEM 373)	A-C,F J,L M	1
376	NAS6603H2		ATTACHING PARTS ..BOLT	A-C,F J,L M	2
			-----*-----		
379	161T1207-1		...PIN-LOCATER	A-C,F J,L M	1
382	161T1211-12		...CAP- (OPT ITEM 382A)	A-C,F J,L M	1
-382A	161T1211-11		...CAP- (OPT ITEM 382)	A-C,F J,L M	1
-382B	161T1211-14		...CAP- (OPT ITEM 382C)	A-C,F J,L M	1
-382C	161T1211-15		...CAP- (OPT ITEM 382B)	A-C,F J,L M	1
385	NAS1352C08H10		..SCREW	A-C,F J,L M	2
388	161T1223-1		..WASHER	A-C,F J,L M	1
401	78529		..COUPLING ASSY- (V92003) (SPEC S161T102-2) (OPT TO ITEM 401A)	A-C,F J,L M	1
-401A	84490-1		..COUPLING ASSY- (PERF) (V07649) (SPEC S161T102-5) (OPT TO ITEM 401)	A-C,F J,L M	1

32-11-20

ILLUSTRATED PARTS LIST  
01.1 Page 1078C  
Nov 01/05

FIG. & ITEM	PART NO.	AIRLINE PART NUMBER	NOMENCLATURE 1234567	EFF CODE	QTY PER ASSY
17-404	161T1220-1		..CUP- (OPT ITEM 404A)	A-C,F ,J,L, M	1
-404A	161T1220-2		..CUP- (OPT ITEM 404)	A-C,F ,J,L, M	1
407	161T1000-83		.TRANSDUCER ASSY	A-C,F ,J,L, M	4
408	161T1000-82		.MOTOR ASSY-TRANSDUCER	E	4
410	NAS6603H2		..BOLT	A-C,F ,J,L, M	1
413	161T1222-1		..WASHER	A-C,F ,J,L, M	1
416	161T1221-1		..DOG- (OPT ITEM 416A)	A-C,F ,J,L, M	1
-416A	161T1221-3		..DOG- (OPT ITEM 416)	A-C,F ,J,L, M	1
-416B	161T1221-3		..DOG	E	1
419	140-025-1		..TRANSDUCER- (V81982) (SPEC S283T001-10) (OPT ITEM 419A)	A-C,F ,J,L, M	1
-419A	140-025-2		..TRANSDUCER- (V81982) (SPEC S283T001-15) (OPT ITEM 419)	A-C,F ,J,L, M	1
420	77-395		..MOTOR- (V81982) (SPEC S283T001-7)	E	1

# 32-11-20

 ILLUSTRATED PARTS LIST  
 01.1 Page 1078D  
 Nov 01/05

FIG. & ITEM	PART NO.	AIRLINE PART NUMBER	NOMENCLATURE	EFF CODE	QTY PER ASSY
17-422	NAS6604-10		.BOLT	A-BH, BK-BZ ,EG, FA-FC ,FG FU-FY ,GM,G N,G S-GU, GX,GZ HA,HP ,HQ,H S-HU, HY-JJ	8
425	AN960-416		.WASHER	A-BH, BP-BZ ,HY-J J	8
-425A	NAS1149F0463P		.WASHER	BK-BN ,EG, FB,FC ,FG,F U-FY GM,GN ,GS-G U,GX, GZ,HA ,HP HQ,H S-HU	8

32-11-20

ILLUSTRATED PARTS LIST  
01.1 Page 1078E  
Nov 01/05

FIG. & ITEM	PART NO.	AIRLINE PART NUMBER	NOMENCLATURE 1234567	EFF CODE	QTY PER ASSY
17-428	BRH10A4		.NUT- (V52828) (SPEC BACN10JC4) (OPT T6S428J (V11815)) (OPT 96-048 (V80539)) (OPT VN303A048 (V92215)) (OPT RMLH9075-4W (V72962)) (OPT NS202101-048 (V80539)) (OPT H10-4BAC (V15653))	A-BH, BP-BZ ,HY-J J	8
-428A	BRH10C4D		.NUT- (V52828) (SPEC BACN10JC4CD) (OPT T6C428JCD (V11815)) (OPT NS202486-048 (V80539)) (OPT 102LH9075-4W (V72962)) (OPT H51650-4BAC (V15653))	BK-BN ,EG, FB,FC ,FG,F U-FY GM,GN ,GS-G U,GX, GZ,HA ,HP HQ,H S-HU	8
431	161T1206-9		.SUPPORT-ANTISKID TRANSDUCER (OPT ITEM 431A)	A-C,F ,J,L, M	4
-431A	161T1206-7		.SUPPORT-ANTISKID TRANSDUCER (OPT ITEM 431)	A-C,F ,J,L, M	4

# 32-11-20

 ILLUSTRATED PARTS LIST  
 01.1 Page 1078F  
 Nov 01/05

FIG. & ITEM	PART NO.	AIRLINE PART NUMBER	NOMENCLATURE	EFF CODE	QTY PER ASSY
R	17-434	161T1209-1	.NUT-RTNR	A-C, F, J, L, M	4
	435	161T1204-1	.NUT	D, G-A, E, A, J-AR, AU, AV, BC, BK, BM, BP-B, S, EG, FB, FC, FG, FU-FY, GM, G, N, G, S-GU, GX, GZ, HA, HP, HQ, H, S-HU, HY-JJ	4
	436	161T1203-2	.WASHER	D, G-A, E, A, J-AR, AU, AV, BC, BK, BM, BP-B, S, EG, FB, FC, FG, FU-FY, GM, G, N, G, S-GU, GX, GZ, HA, HP, HQ, H, S-HU, HY-JJ	4

**32-11-20**

FIG. & ITEM	PART NO.	AIRLINE PART NUMBER	NOMENCLATURE 1234567	EFF CODE	QTY PER ASSY
17-					
437D	161T1000-73		.WHEEL AND TIRE ASSY	B,F	4
-437E	161T1000-55		.WHEEL AND TIRE ASSY	C,L,M	4
-437G	161T1000-75		.WHEEL AND TIRE ASSY	E	4
-437H	161T1000-76		.WHEEL AND TIRE ASSY	A	4
-437K	161T1000-80		.WHEEL AND TIRE ASSY ATTACHING PARTS	J	4
440	161T1204-1		.NUT	A-C,E ,F,J, L,M	4
443	161T1203-2		.WASHER	A-C,E ,F,J, L,M	4
446	10-44		-----*----- ..VALVE ASSY-FILL (V91816) (SPEC 60B10055-4) (FOR DETAILS SEE FIG. 80)	A-C,E ,F,J, L,M	1
449B	032-863-1		DELETED		
-449G	APS01410B		DELETED		
-449H	APS01410B		DELETED		
-449J	APS01410B		DELETED		
-449K	039-807		DELETED		
-449L	APS06005		DELETED		
-449M	APS06007		..TIRE-H46X18-20 (VS4233) (SPEC S160T201-3621) (OPT 039-807 (V03481)) (OPT SR23523T (V0940B)) (OPT APS01441 (VS4233)) (OPT 468K22-1 (V73842)) (OPT DR25622T (VK1037)) (OPT 039-807-0 (VOA1K8)) (OPT S0145 (V0587B))	A	1

# 32-11-20

 ILLUSTRATED PARTS LIST  
 01.1 Page 1078H  
 Nov 01/05

 **BOEING**  
COMPONENT  
MAINTENANCE MANUAL

FIG. & ITEM	PART NO.	AIRLINE PART NUMBER	NOMENCLATURE	EFF CODE	QTY PER ASSY
17- -449N 449P 449Q	S0137 039-807-0 468K62T1		1234567  DELETED DELETED ..TIRE-H46X18-20 (CUSTOMER FURNISHED) (V73842) (SPEC S160T201-3321) (SPEC S160T201-332) (OPT APS01410 (VS4233)) (OPT 468K62-1 (V73842)) (OPT DR23521T (V0940B)) (OPT 032-863 (V03481)) (OPT APS01410B (VS4233)) (OPT 032-863-1 (V03481)) (OPT DR25621T (VK1037)) (OPT APS06005 (VS4233)) (OPT S0137 (V0587B))	B,E,F ,J	1

**32-11-20**

ILLUSTRATED PARTS LIST  
01.1 Page 1078I  
Nov 01/05



FIG. & ITEM	PART NO.	AIRLINE PART NUMBER	NOMENCLATURE 1234567	EFF CODE	QTY PER ASSY
17- -449R	468K62T1		..TIRE-H46X18-20 (V73842) (SPEC S160T201-3321) (SPEC S160T201-332) (OPT APS01410 (VS4233)) (OPT 468K62-1 (V73842)) (OPT DR23521T (V0940B)) (OPT 032-863 (V03481)) (OPT APS01410B (VS4233)) (OPT 032-863-1 (V03481)) (OPT DR25621T (VK1037)) (OPT APS06005 (VS4233)) (OPT S0137 (V0587B))	C,L,M	1
-449S 452A	S0145 2608811-3		DELETED ..WHEEL ASSY- (V55284) (SPEC S160T300-22 )	A,E,J	1
-452C	2606741-1		..WHEEL ASSY- (V55284) (SPEC S160T200-21)	B,C,F L,M	1
455	2606169-14		.RETAINER-SEAL (V55284)	A-C,E F,J, L,M	4
458	2606950		.SEAL- (V55284) (OPT ITEM 458A)	A-C,E F,J, L,M	4

# 32-11-20

 ILLUSTRATED PARTS LIST  
 01.1 Page 1078J  
 Nov 01/05

FIG. & ITEM	PART NO.	AIRLINE PART NUMBER	NOMENCLATURE 1234567	EFF CODE	QTY PER ASSY
17- -458A	2608765		.SEAL- (V55284) (OPT ITEM 458)	A-C,E ,F,J, L,M	4
461	161T1202-1		.SPACER-WHL (OPT ITEM 461A)	A-BH, BK-BZ ,EG, FB,FC ,FG FU-FY ,GM,G N,G S-GU, GX,GZ HA,HP ,HQ,H S-HU, HY-JJ	4
-461A	161T1202-2		.SPACER-WHL (OPT ITEM 461)	A-BH, BK-BZ ,EG, FB,FC ,FG FU-FY ,GM,G N,G S-GU, GX,GZ HA,HP ,HQ,H S-HU, HY-JJ	4

**32-11-20**

ILLUSTRATED PARTS LIST  
01.1 Page 1078K  
Nov 01/05

FIG. & ITEM	PART NO.	AIRLINE PART NUMBER	NOMENCLATURE 1234567	EFF CODE	QTY PER ASSY
17-464	161T1201-1		.PIN ASSY-BRAKE ATTACHMENT (161T1201-1 BRAKE ROD PIN TOGETHER WITH 1 EACH BACB30UU6K68D OR BACB30LT6DK68 OR NAS6706D68 OR NAS6606D68 BOLT, 1 EACH MS14145L6 OR BACN10JC6 NUT, 1 EACH AN960-616 WASHER, AND 1 EACH MS24665-287 COTTER PIN I/W ONE-WAY FORWARD TO 161T1201-4 OR -3 BRAKE ROD PIN TOGETHER WITH 1 EACH 161T1024-1 BULKHEAD 1 EACH 161T1025-1 KEEPER PIN, 1 EACH 161T1219-1 OR -2 WASHER, 1 EACH BACB30LJ5D41 BOLT, 1 EACH BACW10DS5TS WASHER, 1 EACH NAS1149F0563P WASHER, 1 EACH MS14145LS NUT, AND 1 EACH MS24665-155 COTTER PIN. REFERENCE S.B. 767-32A0126) (PRE SB 767-32A0126) (PRE SB 767-32-0130) (CONT. AT ITEM 464C)	A-BH, BK,B M-BZ, FB,FX ,GM GN,G S-GU, HY,HZ	4

# 32-11-20

 ILLUSTRATED PARTS LIST  
 01.1 Page 1078L  
 Nov 01/05

FIG. & ITEM	PART NO.	AIRLINE PART NUMBER	NOMENCLATURE 1234567	EFF CODE	QTY PER ASSY
17- -464A	161T1201-3		.PIN-BRAKE ATTACHMENT (161T1201-4 OR -3, BRAKE ROD PIN TOGETHER WITH 1 EACH 161T1024-1 BULKHEAD 1 EACH 161T1025-1 KEEPER PIN, 1 EACH 161T1219-1 OR -2 WASHER, 1 EACH BACB30LJ5D41 BOLT, 1 EACH BACW10DS5TS WASHER, 1 EACH NAS1149F0563P WASHER, 1 EACH MS14145LS NUT, AND 1 EACH MS24665-155 COTTER PIN I/W ONE WAY FORWARD TO 161T1019-1 BRAKE ROD PIN TOGETHER WITH I EACH 161T1020-1 BULKHEAD, 1 EACH 161T1021-1 WASHER, 1 EACH 161T1219-2 WASHER 2 EACH NAS1802-3D10 BOLT AND 2 EACH MS20995C32 COTTER PIN. REFERENCE S. B, 767-32-0130) (POST SB 767-32A0126) (PRE SB 767-32-0130) (CONT. AT ITEM 464E)	A-BH, BK,B M-BZ	4

**32-11-20**

ILLUSTRATED PARTS LIST  
01.1 Page 1078M  
Nov 01/05

FIG. & ITEM	PART NO.	AIRLINE PART NUMBER	NOMENCLATURE 1234567	EFF CODE	QTY PER ASSY
17- -464B	161T1201-4		.PIN-BRAKE ATTACHMENT (161T1201-4 PIN T/W 1EA 161T1219-1 WASHER, 1EA 161T1024-1 BULKHEAD- KEEPER, 1EA 161T1025-1 PIN-KEEPER, 1EA BACB30LJ5D41 BOLT, 1EA BACW10DS5TS WASHER, 1EA NAS1149F0563P WASHER, 1EA MS14145L5 NUT, AND 1EA MS24665-155 COTTER PIN I/W ONE-WAY FORWARD TO 161T1019-1 PIN T/W 1EA 161T1020-1 BOLT, 1EA 161T1021-1 WASHER, 2EA NAS1802-3D10 BOLT, AND 2EA MS20995C32 LOCKWIRE) (POST SB 767-32A0126) (PRE SB 767-32-0130) (CONT. AT ITEM 464F)	A-BH, BK,B M-BZ	4
-464C	161T1201-1		.PIN ASSY-BRAKE ATTACHMENT (PRE SB 767-32A0126) (CONT. FROM ITEM 464) (CONT. AT ITEM 464D)	A-BH, BK,B M-BZ, FB,FX ,GM GN,G S-GU, HY,HZ	4

# 32-11-20

 ILLUSTRATED PARTS LIST  
 01.1 Page 1078N  
 Nov 01/05

FIG. & ITEM	PART NO.	AIRLINE PART NUMBER	NOMENCLATURE 1234567	EFF CODE	QTY PER ASSY
17- -464D	161T1201-1		.PIN ASSY-BRAKE ATTACHMENT (161T1201-1 BRAKE ROD PIN TOGETHER WITH 1 EACH BACB30UU6K68D OR BACB3OLT6DK68 OR NAS6706D68 OR NAS6606D68 BOLT, 1 EACH MS14145L6 OR BACN10JC6 NUT, AN960-616 WASHER, AND 1 EACH MS24665-287 COTTER PIN I/W ONE-WAY FORWARD TO 161T1019-1 BRAKE ROD PIN TOGETHER WITH 1 EACH 161T1020-1 BULKHEAD, 1 EACH 161T1021-1 WASHER, 1 EACH 161T1219-2 WASHER, 2 EACH NAS1802-3D10 BOLT. REFERENCE S.B. 767-32-0130) (PRE SB 767-32A0126) (CONT. FROM ITEM 464C)	A-BH, BK,B M-BZ, FB,FX ,GM GN,G S-GU, HY,HZ	4

32-11-20

ILLUSTRATED PARTS LIST  
01.1 Page 10780  
Nov 01/05

FIG. & ITEM	PART NO.	AIRLINE PART NUMBER	NOMENCLATURE 1234567	EFF CODE	QTY PER ASSY
17-464E	161T1201-3		.PIN-BRAKE ATTACHMENT (161T1201-1 BRAKE ROD PIN TOGETHER WITH 1 EACH BACB30UU6K68D OR BACB30LT6DK68 OR NAS6706D68 OR NAS6606D68 BOLT, 1 EACH MS14145L6 OR BACN10JC6 NUT, 1 EACH AN960-616 WASHER, AND 1 EACH MS24665-287 COTTER PIN I/W ONE-WAY FORWARD TO 161T1201-4 OR -3 BRAKE ROD PIN TOGETHER WITH 1 EACH 161T1024-1 BULKHEAD 1 EACH 161T1025-1 KEEPER PIN, 1 EACH 161T1219-1 OR -2 WASHER, 1 EACH BACB30LJ5D41 BOLT, 1 EACH BACW10DS5TS WASHER, 1 EACH NAS1149F0563P WASHER, 1 EACH MS14145LS NUT, AND 1 EACH MS24665-155 COTTER PIN. REFERENCE S.B. 767-32A0126) (OPT ITEM 464F) (POST SB 767-32A0126) (PRE SB 767-32-0130) (CONT. FROM ITEM 464A)	A-BH, BK,B M-BZ	4

# 32-11-20

 ILLUSTRATED PARTS LIST  
 01.1 Page 1078P  
 Nov 01/05

FIG. & ITEM	PART NO.	AIRLINE PART NUMBER	NOMENCLATURE 1234567	EFF CODE	QTY PER ASSY
17- -464F	161T1201-4		.PIN-BRAKE ATTACHMENT (161T1201-1 BRAKE ROD PIN TOGETHER WITH 1 EACH BACB30UU6K68D OR BACB30LT6DK68 OR NAS6706D68 OR NAS6606D68 BOLT, 1 EACH MS14145L6 OR BACN10JC6 NUT, 1 EACH AN960-616 WASHER, AND 1 EACH MS24665-287 COTTER PIN I/W ONE-WAY FORWARD TO 161T1201-4 OR -3 BRAKE ROD PIN TOGETHER WITH 1 EACH 161T1024-1 BULKHEAD 1 EACH 161T1025-1 KEEPER PIN, 1 EACH 161T1219-1 OR -2 WASHER, 1 EACH BACB30LJ5D41 BOLT, 1 EACH BACW10DS5TS WASHER, 1 EACH NAS1149F0563P WASHER, 1 EACH MS14145LS NUT, AND 1 EACH MS24665-155 COTTER PIN. REFERENCE S.B. 767-32A0126) (OPT ITEM 464E) (POST SB 767-32A0126) (PRE SB 767-32-0130) (CONT. FROM ITEM 464B)	A-BH, BK,B M-BZ	4

32-11-20

ILLUSTRATED PARTS LIST  
01.1 Page 1078Q  
Nov 01/05



FIG. & ITEM	PART NO.	AIRLINE PART NUMBER	NOMENCLATURE 1234567	EFF CODE	QTY PER ASSY
17-465	161T1019-1		.PIN- (161T1201-4 OR -3, BRAKE ROD PIN TOGETHER WITH 1 EACH 161T1024-1 BULKHEAD 1 EACH 161T1025-1 KEEPER PIN, 1 EACH 161T1219-1 OR -2 WASHER, 1 EACH BACB30LJ5D41 BOLT, 1 EACH BACW10DS5TS WASHER, 1 EACH NAS1149F0563P WASHER, 1 EACH MS14145LS NUT, AND 1 EACH MS24665-155 COTTER PIN I/W ONE-WAY FORWARD TO 161T1019-1 BRAKE ROD PIN TOGETHER WITH 1 EACH 161T1020-1 BULKHEAD, 1 EACH 161T1021-1 WASHER, 1 EACH 161T1219-2 WASHER 2 EACH NAS1802-3D10 BOLT AND 2 EACH MS20995C32 COTTER PIN. REFERENCE SB, 767-32-0130) (OPT ITEM 465A) (POST SB 767-32-0130) (CONT. AT ITEM 465C)	A-BH, BK,B M-BZ, FA	4
-465A	161T1019-2		.PIN- (OPT ITEM 465) (POST SB 767-32-0130)	A-BH, BK,B M-BZ	4

# 32-11-20

 ILLUSTRATED PARTS LIST  
 01.1 Page 1078R  
 Nov 01/05

FIG. & ITEM	PART NO.	AIRLINE PART NUMBER	NOMENCLATURE	EFF CODE	QTY PER ASSY
17-465B	161T1019-1		1234567 .PIN- (161T1201-4 OR -3, BRAKE ROD PIN TOGETHER WITH 1 EACH 161T1024-1 BULKHEAD 1 EACH 161T1025-1 KEEPER PIN, 1 EACH 161T1219-1 OR -2 WASHER, 1 EACH BACB30LJ5D41 BOLT, 1 EACH BACW10DS5TS WASHER, 1 EACH NAS1149F0563P WASHER, 1 EACH MS14145LS NUT, AND 1 EACH MS24665-155 COTTER PIN I/W ONE-WAY FORWARD TO 161T1019-1 BRAKE ROD PIN TOGETHER WITH 1 EACH 161T1020-1 BULKHEAD, 1 EACH 161T1021-1 WASHER, 1 EACH 161T1219-2 WASHER 2 EACH NAS1802-3D10 BOLT AND 2 EACH MS20995C32 COTTER PIN. REFERENCE SB, 767-32-0130) (CONT AT ITEM 465D)	BL,EG ,FC,F G,F U-FY, GM,GN GS-GU ,GX,G Z,HA, HP,HQ HS-HU ,JA-J J	4

32-11-20

ILLUSTRATED PARTS LIST  
01.1 Page 1078S  
Nov 01/05

FIG. & ITEM	PART NO.	AIRLINE PART NUMBER	NOMENCLATURE 1234567	EFF CODE	QTY PER ASSY
17- -465C	161T1019-1		.PIN-BRAKE ATTACHMENT (161T1201-1 BRAKE ROD PIN TOGETHER WITH 1 EACH BACB30UU6K68D OR BACB30LT6DK68 OR NAS6706D68 OR NAS6606D68 BOLT, 1 EACH MS14145L6 OR BACN10JC6 NUT, AN960-616 WASHER, AND 1 EACH MS24665-287 COTTER PIN I/W ONE-WAY FORWARD TO 161T1019-1 BRAKE ROD PIN TOGETHER WITH 1 EACH 161T1020-1 BULKHEAD, 1 EACH 161T1021-1 WASHER, 1 EACH 161T1219-2 WASHER, 2 EACH NAS1802-3D10 BOLT. REFERENCE S.B. 767-32-0130) (OPT ITEM 465A) (POST SB 767-32-0130) (CONT. FROM ITEM 465)	A-BH, BK,B M-BZ, FA	4

# 32-11-20

 ILLUSTRATED PARTS LIST  
 01.1 Page 1078T  
 Nov 01/05

 **BOEING**  
COMPONENT  
MAINTENANCE MANUAL

FIG. & ITEM	PART NO.	AIRLINE PART NUMBER	NOMENCLATURE 1234567	EFF CODE	QTY PER ASSY
17- -465D	161T1019-1		.PIN-BRAKE ATTACHMENT (161T1201-1 BRAKE ROD PIN TOGETHER WITH 1 EACH BACB30UU6K68D OR BACB30LT6DK68 OR NAS6706D68 OR NAS6606D68 BOLT, 1 EACH MS14145L6 OR BACN10JC6 NUT, AN960-616 WASHER, AND 1 EACH MS24665-287 COTTER PIN I/W ONE-WAY FORWARD TO 161T1019-1 BRAKE ROD PIN TOGETHER WITH 1 EACH 161T1020-1 BULKHEAD, 1 EACH 161T1021-1 WASHER, 1 EACH 161T1219-2 WASHER, 2 EACH NAS1802-3D10 BOLT. REFERENCE S.B. 767-32-0130) (OPT ITEM 465A) (POST SB 767-32-0130) (CONT. FROM ITEM 465B)	FC,FG ,FU-F Y,GM, GN,G S-GU GX,GZ ,HA,H P,HQ, JA-JJ	4
467	MS24665-287		ATTACHING PARTS .PIN-COTTER (PRE SB 767-32A0126) (PRE SB 767-32-0130)	A-BH, BK,B M-BZ	4
-467A	BACP18BC03C010P		DELETED		
R -467B	MS24665-287		.PIN-COTTER	HY,HZ	4
470	NAS6606D68		.BOLT- (PRE SB 767-32A0126) (PRE SB 767-32-0130)	A-C,F	4
-470A	NAS6706D68		.BOLT- (PRE SB 767-32-0106) (PRE SB 767-32A0126) (PRE SB 767-32-0130)	D,E, G-AE, AN,AV ,FB,F X	4
-470B	BACB30UU6K68D		.BOLT- (OPT ITEM 470C) (PRE SB 767-32A0126) (POST SB 767-32-0106) (PRE SB 767-32-0130)	GM,GN AF-AM ,AP-A U,A W-BC	4

32-11-20

ILLUSTRATED PARTS LIST  
01.1 Page 1078U  
Nov 01/05

FIG. & ITEM	PART NO.	AIRLINE PART NUMBER	NOMENCLATURE 1234567	EFF CODE	QTY PER ASSY
17- -470C	BACB30LT6DK68		.BOLT- (OPT ITEM 470B) (POST SB 767-32-0106) (PRE SB 767-32A0126) (PRE SB 767-32-0130)	AF-AM ,AP-A U,A W-BC	4
R -470D 473	NAS6706D68 AN960-616		.BOLT .WASHER- (PRE SB 767-32A0126) (PRE SB 767-32-0130)	HY,HZ A-BH, BK,B M-BZ	4 4
-473A	NAS1149F0663P		.WASHER	FB,FX ,GM,G N	4
R -473B 474	AN960-616 161T1021-1		.WASHER -----*----- .WASHER- (POST SB 767-32-0130)	HY,HZ A-BH, BK-BZ ,EG, FA,FC ,FG FU-FW ,FY,G S-GU, GX,GZ HA,HP ,HQ,H S-HU	4 4
R 474A 474J	161T1021-1 BRH10C6D		.WASHER .NUT- (V52828) (SPEC BACN10JC6CD) (OPT H51650-6BAC (V15653))	JA-JJ FB,FX ,GM,G N	4 4

# 32-11-20

 ILLUSTRATED PARTS LIST  
 01.1 Page 1078V  
 Nov 01/05

FIG. & ITEM	PART NO.	AIRLINE PART NUMBER	NOMENCLATURE 1234567	EFF CODE	QTY PER ASSY
17-475	161T1020-1		.BOLT- (POST SB 767-32-0130)	A-BH, BK-BZ ,EG, FA,FC ,FG FU-FW ,FY,G S-GU, GX,GZ ,HA HP,HQ ,HS-H U	4
R -475A	161T1020-1		.BOLT	JA-JJ	4
475J	NAS1802-3D10		.BOLT- (OPT ITEM 475K) (POST SB 767-32-0130)	A-BH, BK,B M-BZ, EG	6
-475K	NAS1801-3D10		.SCREW- (OPT ITEM 475J) (POST SB 767-32-0130)	A-BH, BK,B M-BZ, EG	6
R -475L	NAS1802-3D10		.BOLT- (OPT ITEM 475M)	JA-JJ	6
R -475M	NAS1801-3D10		.SCREW- (OPT ITEM 475L)	JA-JJ	6
476	BRH10A6		ATTACHING PARTS .NUT- (V52828) (SPEC BACN10JC6) (OPT 96-064 (V80539)) (OPT RMLH9075-6 (V72962)) (OPT H10-6BAC (V15653)) (REPLD BY ITEM 476B) (PRE SB 767-32-0106) (PRE SB 767-32A0126) (PRE SB 767-32-0130)	A-AE, AN	4

**32-11-20**

FIG. & ITEM	PART NO.	AIRLINE PART NUMBER	NOMENCLATURE 1234567	EFF CODE	QTY PER ASSY
17- -476A	MS14145L6		.NUT- (PRE SB 767-32A0126) (PRE SB 767-32-0130)	AF-AM ,AP-A U,A W-BC	4
-476B	H52732-6CD		.NUT- (V15653) (SPEC BACN10YR6CD) (OPT PLH56CD (V62554)) (REPLS ITEM 476) (POST SB 767-32-0106) (PRE SB 767-32A0126) (PRE SB 767-32-0130)	A-AE, AN	4
-476C	BACN10JC6CD		DELETED		
R -476D	BRH10A6		.NUT- (V52828) (SPEC BACN10JC6) (OPT 96-064 (V80539)) (OPT RMLH9075-6 (V72962)) (OPT H10-6BAC (V15653))	HY,HZ	4
R -476E	MS14145L6		.NUT -----*-----	JA-JJ	4
477	BACB30LJ5D41		.BOLT- (OPT ITEM 477A) (POST SB 767-32A0126) (PRE SB 767-32-0130)	A-BH, BK,B M-BZ	4
-477A	NAS6705D41		.BOLT- (OPT ITEM 477) (POST SB 767-32A0126) (PRE SB 767-32-0130)	A-BH, BK,B M-BZ	4

# 32-11-20

 ILLUSTRATED PARTS LIST  
 01.1 Page 1078X  
 Nov 01/05

FIG. & ITEM	PART NO.	AIRLINE PART NUMBER	NOMENCLATURE 1234567	EFF CODE	QTY PER ASSY
17-477E	BACW10DS5TS		.WASHER- (OPT ITEM 477F) (POST SB 767-32A0126) (PRE SB 767-32-0130)	A-BH, BK,B M-BZ	4
-477F	BACW10BN5SC		.WASHER- (OPT ITEM 477E) (POST SB 767-32A0126) (PRE SB 767-32-0130)	A-BH, BK,B M-BZ	4
477J	NAS1149F0563P		.WASHER- (POST SB 767-32A0126) (PRE SB 767-32-0130)	A-BH, BK,B M-BZ	4
477N	MS14145L5		.NUT- (POST SB 767-32A0126) (PRE SB 767-32-0130)	A-BH, BK,B M-BZ	4
477T	MS24665-155		.PIN-COTTER (POST SB 767-32A0126) (PRE SB 767-32-0130)	A-BH, BK,B M-BZ	4
477U	BACP18BC03C10P		DELETED		
478	161T1025-1		.PIN-KEEPER (POST SB 767-32A0126) (PRE SB 767-32-0130)	A-BH, BK,B M-BZ	4
478E	161T1219-1		.WASHER- (OPT ITEM 478F) (POST SB 767-32A0126) (POST SB 767-32-0130) (REWORK BY SB 767-32-0143) (PRE SB 767-32-0153) (PRE SB 767-32-0168) (PRE SB 767-32-0183)	A-BH, BK,B S-BX	4

32-11-20



FIG. & ITEM	PART NO.	AIRLINE PART NUMBER	NOMENCLATURE 1234567	EFF CODE	QTY PER ASSY
17- -478F	161T1219-2		.WASHER- (OPT ITEM 478E) (POST SB 767-32-0130) (REWORK BY SB 767-32-0143) (PRE SB 767-32-0153) (PRE SB 767-32-0168) (PRE SB 767-32-0183)	A-BH, BK,B S-BX	4
478J	161T1024-1		.BULKHEAD-KEEPER (OPT ITEM 478K) (POST SB 767-32A0126) (PRE SB 767-32-0130)	A-BH, BK,B M-BZ	4
-478K	161T1024-3		.BULKHEAD-KEEPER (OPT ITEM 478J) (POST SB 767-32A0126) (PRE SB 767-32-0130)	A-BH, BK,B M-BZ	4
479	161T1212-1		..BUSHING	A-BH, BK,B M-BZ	1
482	161T1201-2		..PIN	A-BH, BK,B M-BZ	1
485	66-18544-1		.STUD-GND	A-BH, BK-BZ ,EG, FB,FC ,FG FU-FY ,GM,G N,G S-GU, GX,GZ HA,HP ,HQ,H S-HU, HY-JJ	1

# 32-11-20

 ILLUSTRATED PARTS LIST  
 01.1 Page 1078Z  
 Nov 01/05

FIG. & ITEM	PART NO.	AIRLINE PART NUMBER	NOMENCLATURE 1234567	EFF CODE	QTY PER ASSY
17-488	MS35333-42		.WASHER	A-BH, BK-BZ ,EG, FB,FC ,FG FU-FY ,GM,G N,G S-GU, GX,GZ HA,HP ,HQ,H S-HU, HY-JJ	1
501	AN960-616		.WASHER	A-BH, BP-BZ ,HY-J J	1
-501A	NAS1149F0663P		.WASHER	BK-BN ,EG, FB,FC ,FG,F U-FY GM,GN ,GS-G U,GX, GZ,HA ,HP HQ,H S-HU	1
504	52NE066		.NUT- (V72962) (OPT ITEMS 504A, 504B)	A-BH, BP-BZ ,HY-J J	1
-504A	MS51922-17		.NUT- (OPT ITEMS 504, 504B)	A-BH, BP-BZ ,HY-J J	1
-504B	MS21044-616		.NUT- (OPT ITEMS 504, 504A)	A-BH, BP-BZ ,HY-J J	1

32-11-20

ILLUSTRATED PARTS LIST  
01.1 Page 1079  
Nov 01/05

FIG. & ITEM	PART NO.	AIRLINE PART NUMBER	NOMENCLATURE	EFF CODE	QTY PER ASSY
17-504C	52NE066		.NUT- (V72962)	BK-BN ,EG, FB,FC ,FG,F U-FY GM,GN ,GS-G U,GX, GZ,HA ,HP HQ,H S-HU	1
507	161T1310-1		.BASE ASSY-BOGIE BEAM	A-BH, BK-BZ ,EG, FB,FC ,FG FU-FY ,GM,G N,G S-GU, GX,GZ HA,HP ,HQ,H S-HU, HY-JJ	1
510	NAS6604-22		ATTACHING PARTS .BOLT	A-BH, BK-BZ ,EG, FB,FC ,FG FU-FY ,GM,G N,G S-GU, GX,GZ HA,HP ,HQ,H S-HU, HY-JJ	4

# 32-11-20

 ILLUSTRATED PARTS LIST  
 01.1 Page 1080  
 Nov 01/05

FIG. & ITEM	PART NO.	AIRLINE PART NUMBER	NOMENCLATURE	EFF CODE	QTY PER ASSY
17-513	AN960-416		.WASHER	A-BH, BP-BZ ,HY-J J	4
-513A	NAS1149F0463P		.WASHER	BK-BN ,EG, FB,FC ,FG,F U-FY GM,GN ,GS-G U,GX, GZ,HA ,HP HQ,H S-HU A-BH, BP-BZ ,HY-J J	4
516	BRH10A4		.NUT- (V52828) (SPEC BACN10JC4) (OPT T6S428J (V11815)) (OPT 96-048 (V80539)) (OPT VN303A048 (V92215)) (OPT RMLH9075-4W (V72962)) (OPT NS202101-048 (V80539)) (OPT H10-4BAC (V15653))		4

**32-11-20**

ILLUSTRATED PARTS LIST  
01.1 Page 1080A  
Nov 01/05

FIG. & ITEM	PART NO.	AIRLINE PART NUMBER	NOMENCLATURE	EFF CODE	QTY PER ASSY
17-516A	BRH10C4D		.NUT- (V52828) (SPEC BACN10JC4CD) (OPT T6C428JCD (V11815)) (OPT NS202486-048 (V80539)) (OPT 102LH9075-4W (V72962)) (OPT H51650-4BAC (V15653))	BK-BN ,EG, FB,FC ,FG,F U-FY GM,GN ,GS-G U,GX, GZ,HA ,HP HQ,H S-HU	4
519	BACR15FT5KE		-----*----- ..RIVET- (SIZE DETERMINE ON INST)	A-BH, BK-BZ ,EG, FB,FC ,FG FU-FY ,GM,G N,G S-GU, GX,GZ HA,HP ,HQ,H S-HU, HY-JJ	16
522	161T1311-2		..BRACKET-END SPRT	A-BH, BK-BZ ,EG, FB,FC ,FG FU-FY ,GM,G N,G S-GU, GX,GZ HA,HP ,HQ,H S-HU, HY-JJ	2

# 32-11-20

 ILLUSTRATED PARTS LIST  
 01.1 Page 1080B  
 Nov 01/05

FIG. & ITEM	PART NO.	AIRLINE PART NUMBER	NOMENCLATURE 1234567	EFF CODE	QTY PER ASSY
17-525	BACR15FT5KE		..RIVET- (SIZE DETERMINE ON INST)	A-BH, BK-BZ ,EG, FB,FC ,FG FU-FY ,GM,G N,G S-GU, GX,GZ HA,HP ,HQ,H S-HU, HY-JJ	24
528	161T1311-7		..PLATE-GUSSET	A-BH, BK-BZ ,EG, FB,FC ,FG FU-FY ,GM,G N,G S-GU, GX,GZ HA,HP ,HQ,H S-HU, HY-JJ	2
531	161T1311-8		..PLATE-GUSSET	A-BH, BK-BZ ,EG, FB,FC ,FG FU-FY ,GM,G N,G S-GU, GX,GZ HA,HP ,HQ,H S-HU, HY-JJ	2

**32-11-20**

FIG. & ITEM	PART NO.	AIRLINE PART NUMBER	NOMENCLATURE 1234567	EFF CODE	QTY PER ASSY
17-534	161T1311-1		..PLATE-BASE	A-BH, BK-BZ ,EG, FB,FC ,FG FU-FY ,GM,G N,G S-GU, GX,GZ HA,HP ,HQ,H S-HU, HY-JJ	1
537A	2607092-1		.BRAKE- (V55284) (2607092-1 IS I/W 2607092-3 FOR 767-200 ACFT ONLY FLIGHT MANUAL LIMITATIONS MUST BE OBSERVED WITH INSTALLATION OF 2607092-1) (SPEC S160T200-12)	B,C	4
-537B	2608812-2		.BRAKE ASSY- (REPLD BY ITEM 537G) (V55284) (SPEC S160T300-11)	E	4
-537C	2607092-3		.BRAKE ASSY- (V55284) (2607092-1 IS I/W 2607092-3 FOR 767-200 ACFT ONLY FLIGHT MANUAL LIMITATIONS MUST BE OBSERVED WITH INSTALLATION OF 2607092-1) (SPEC S160T200-14)	F,L,M	4
-537F	2608812-2		.BRAKE ASSY- (V55284) (SPEC S160T300-11)	J	4

# 32-11-20

 ILLUSTRATED PARTS LIST  
 01.1 Page 1080D  
 Nov 01/05

FIG. & ITEM	PART NO.	AIRLINE PART NUMBER	NOMENCLATURE 1234567	EFF CODE	QTY PER ASSY
17- -537G	2608812-4		.BRAKE- (REPLS ITEM 537B) (V55284) (SPEC S160T300-12)	E	4
-537H	2608812-4		.BRAKE- (V55284) (SPEC S160T300-12)	A	4
-538	165T0000-1		.TIRE AND BRAKE INSTL- WHEEL MLG (FOR DETAILS SEE FIG. 9)	G,H, Q-BH, BP-BZ ,HY-J J	1
540	NAS6604-10		.BOLT	A-BH, BK-BZ ,EG, FB,FC ,FG FU-FY ,GM,G N,G S-GU, GX,GZ HA,HP ,HQ,H S-HU, HY-JJ J	2
543	AN960C416L		.WASHER	A-BH, BP-BZ ,HY-J J	2
-543A	NAS1149C0432R		.WASHER	BK-BN ,EG, FB,FC ,FG,F U-FY GM,GN ,GS-G U,GX, GZ,HA ,HP HQ,H S-HU	2

**32-11-20**

ILLUSTRATED PARTS LIST  
01.1 Page 1080E  
Nov 01/05



FIG. & ITEM	PART NO.	AIRLINE PART NUMBER	NOMENCLATURE 1234567	EFF CODE	QTY PER ASSY
17- -544	H52732-4CD		.NUT- (V15653) (SPEC BACN10YR4CD) (OPT PLH54CD (V62554)) (OPT ITEM 544A)	BL,EG ,GX,G Z,HA, HP,HQ HS-HU	1
-544A	H52732-4C		.NUT- (V15653) (SPEC BACN10YR4C) (OPT PLH54C (V62554)) (OPT ITEM 544)	BL,EG ,GX,G Z,HA, HP,HQ HS-HU	1
546	BRH10A4		.NUT- (V52828) (SPEC BACN10JC4) (OPT T6S428J (V11815)) (OPT 96-048 (V80539)) (OPT VN303A048 (V92215)) (OPT RMLH9075-4W (V72962)) (OPT NS202101-048 (V80539)) (OPT H10-4BAC (V15653))	A-BH, BP-BZ ,HY-J J	2
-546A	BRH10C4D		.NUT- (V52828) (SPEC BACN10JC4CD) (OPT T6C428JCD (V11815)) (OPT NS202486-048 (V80539)) (OPT 102LH9075-4W (V72962)) (OPT H51650-4BAC (V15653))	BK-BN ,EG, FB,FC ,FG,F U-FY GM,GN ,GS-G U,GX, GZ,HA ,HP HQ,H S-HU	2

# 32-11-20

 ILLUSTRATED PARTS LIST  
 01.1 Page 1080F  
 Nov 01/05

FIG. & ITEM	PART NO.	AIRLINE PART NUMBER	NOMENCLATURE 1234567	EFF CODE	QTY PER ASSY
17-549	161T1311-13		.BRACKET-ANGLE	A-BH, BK-BZ ,EG, FB,FC ,FG FU-FY ,GM,G N,G S-GU, GX,GZ HA,HP ,HQ,H S-HU, HY-JJ	1
552	161T1230-5		.BLOCK-SPACER (PRE SB 767-27A0160)	A-BH, BK,B M-BZ, FB,FC ,FG FU-FY ,GM,G N,GS	1
-552A	161T1230-7		.BLOCK-SPACER	BL,EG ,GT,G U,GX, GZ,HA ,HP HQ,H S-HU	1
-552B	161T1230-7		.BLOCK-SPACER (POST SB 767-27A0160)	A-BH, BK,B M-BZ, FB,FC ,FG FU-FY ,GM,G N,GS	1
R -552C	161T1230-5		.BLOCK-SPACER	HY-JJ	1

**32-11-20**

ILLUSTRATED PARTS LIST  
01.1 Page 1080G  
Nov 01/05

FIG. & ITEM	PART NO.	AIRLINE PART NUMBER	NOMENCLATURE 1234567	EFF CODE	QTY PER ASSY
17-555	AN960C416L		.WASHER	A-BH, BP-BZ ,HY-J J	1
-555A	NAS1149C0432R		.WASHER	BK-BN ,EG, FB,FC ,FG,F U-FY GM,GN ,GS-G U,GX, GZ,HA ,HP HQ,H S-HU	1
557	BC1083-082S		.CLAMP- (V14242) (SPEC BACC10FY082S) (OPT B06A082S (V10234)) (OPT 3140AB082 (V94581)) (OPT B06A082S (V10234)) (OPT MBC68941-082 (V8W928)) (OPT 57490-815 (V8W928)) (OPT 57490-818 (V8W928)) (OPT 57490-819 (V8W928))	A-BH, BP-BZ ,HY-J J	1
-557A	3140AB082E		.CLAMP- (V94581) (SPEC BACC10FY082SE) (OPT BC1083-082SE (V14242)) (OPT NE103338-082 (V8W928))	BK-BN ,EG, FB,FC ,FG,F U-FY GM,GN ,GS-G U,GX, GZ,HA ,HP HQ,H S-HU	1

# 32-11-20

 ILLUSTRATED PARTS LIST  
 01.1 Page 1080H  
 Nov 01/05

FIG. & ITEM	PART NO.	AIRLINE PART NUMBER	NOMENCLATURE 1234567	EFF CODE	QTY PER ASSY
17-558	MBB69260-1170		.CLAMP- (V00624)	A-BH, BK-BZ ,EG, FB,FC ,FG FU-FY ,GM,G N,G S-GU, GX,GZ HA,HP ,HQ,H S-HU, HY-JJ	1
561	7355		.TAPE-MYSTIK (REPLD BY ITEM 561A) (V88301)	A-BH, BK,B M-BZ	AR
-561A	8412		.TAPE- (REPLS ITEM 561) (V26066)	A-BH, BK,B M-BZ	AR
R -561B	7355		.TAPE-MYSTIK (V88301)	FB,F U-FX, HY-JJ	AR
R -561C	8412		.TAPE- (V26066)	FC,FG ,FY,G N	AR
564	161T1100-61		.COMPONENT ASSY- (161T1100-93 MAY REPLACE -61 FOR ANA ONLY) (REF CMM 32-11-30)	C,L	1
-564A	161T1100-85		.COMPONENT ASSY- (REF CMM 32-11-30)	B,F,J	1

**32-11-20**

ILLUSTRATED PARTS LIST  
01.1 Page 1080I  
Nov 01/05

FIG. & ITEM	PART NO.	AIRLINE PART NUMBER	NOMENCLATURE 1234567	EFF CODE	QTY PER ASSY
17- -564D	161T1100-69		.COMPONENT ASSY- (REF CMM 32-11-30) (TO ADD 767-300 ER IGW REQUIREMENT FOR ANA ONLY)	A	1
-564F	161T1100-91		.COMPONENT ASSY- (REF CMM 32-11-30)	D,H,N	1
-564H	161T1100-93		.COMPONENT ASSY- (161T1100-93 MAY REPLACE -61 FOR ANA ONLY) (REF CMM 32-11-30)	E	1
-564K	161T1100-97		.COMPONENT ASSY- (REF CMM 32-11-30)	K	1
-564M	161T1100-101		.COMPONENT ASSY- (REF CMM 32-11-30)	M	1
-564N	161T1100-105		.COMPONENT ASSY- (REF CMM 32-11-30)	P	1
-564P	161T1100-109		.COMPONENT ASSY- (REF CMM 32-11-30) (TO ADD 767-300ER IGW REQUIREMENT FOR ANA ONLY)	Q	1
-564V	161T1100-159		.COMPONENT ASSY- (REF CMM 32-11-30)	W	1
-564W	161T1100-163		.COMPONENT ASSY- (REF CMM 32-11-30)	X	1
-564X	161T1100-177		.COMPONENT ASSY- (REF CMM 32-11-30)	Y	1
-564Y	161T1100-179		.COMPONENT ASSY- (REF CMM 32-11-30)	AF,AG	1
-565	161T1100-183		.COMPONENT ASSY- (REF CMM 32-11-30)	AH	1

# 32-11-20

 ILLUSTRATED PARTS LIST  
 01.1 Page 1080J  
 Nov 01/05

FIG. & ITEM	PART NO.	AIRLINE PART NUMBER	NOMENCLATURE 1234567	EFF CODE	QTY PER ASSY
17- -565D	161T1100-139		.COMPONENT ASSY- (REF CMM 32-11-30)	Z	1
-565E	161T1100-141		.COMPONENT ASSY- (REF CMM 32-11-30)	AA,AB ,AJ,A K	1
-565F	161T1100-147		.COMPONENT ASSY- (REF CMM 32-11-30)	AC	1
-565G	161T1100-205		.COMPONENT ASSY- (REF CMM 32-11-30)	AE	1
-565H	161T1100-207		.COMPONENT ASSY- (REF CMM 32-11-30)	AE	1
-565J	161T1100-223		.COMPONENT ASSY- (REF CMM 32-11-30)	AL,AM	1
-565K	161T1100-227		.COMPONENT ASSY- (REF CMM 32-11-30)	AN,AV ,BE	1
-565L	61T1100-229		.COMPONENT ASSY- (REF CMM 32-11-30)	AP-AR ,BF	1
-565M	161T1100-229		.COMPONENT ASSY- (OPT ITEM 565N) (REF CMM 32-11-30)	AU,BA	1
-565N	161T1100-237		.COMPONENT ASSY- (OPT ITEM 565M) (REF CMM 32-11-30)	AU,BA	1
-565Q	161T1100-233		.COMPONENT ASSY- (REF CMM 32-11-30)	AS-AY ,BG	1
-565R	161T1100-235		.COMPONENT ASSY- (REF CMM 32-11-30)	AT,AZ	1
-565S	161T1100-243		.COMPONENT ASSY- (REF CMM 32-11-30)	BB	1
-565T	161T1100-251		.COMPONENT ASSY- (REF CMM 32-11-30)	BC	1
-565U	161T1100-265		.COMPONENT ASSY- (REF CMM 32-11-30)	BA	1
-565V	161T1100-267		.COMPONENT ASSY- (REF CMM 32-11-30)	BA	1
-565W	161T1100-271		.COMPONENT ASSY- (REF CMM 32-11-30)	BB	1
-565X	161T1100-273		.COMPONENT ASSY- (REF CMM 32-11-30)	BC	1
-565Y	161T1100-283		.COMPONENT ASSY- (REF CMM 32-11-30)	BD	1
-566E	161T1100-111		.COMPONENT ASSY- (REF CMM 32-11-30)	R	1
-566G	161T1100-121		.COMPONENT ASSY- (REF CMM 32-11-30)	G,S,A D	1

**32-11-20**

ILLUSTRATED PARTS LIST  
01.1 Page 1080K  
Nov 01/05

FIG. & ITEM	PART NO.	AIRLINE PART NUMBER	NOMENCLATURE 1234567	EFF CODE	QTY PER ASSY
17- -566H	161T1100-123		.COMPONENT ASSY- (REF CMM 32-11-30)	T,U	1
-566K	161T1100-125		.COMPONENT ASSY- (REF CMM 32-11-30)	V	1
-566L	161T1100-369		.COMPONENT ASSY- (REF CMM 32-11-30)	BP	1
-566M	161T1100-385		DELETED		
-566N	161T1100-387		.COMPONENT ASSY- (REF CMM 32-11-30)	BK	1
-566P	161T1100-389		DELETED		
-566Q	161T1100-391		.COMPONENT ASSY- (REF CMM 32-11-30)	BM	1
-566R	161T1100-393		.COMPONENT ASSY- (REF CMM 32-11-30)	BN	1
-566S	161T1100-409		.COMPONENT ASSY- (REF CMM 32-11-30)	FB,FU	1
-566T	161T1100-441		.COMPONENT ASSY- (REF CMM 32-11-30)	FC	1
-566U	061T1100-451		DELETED		
-566V	061T1100-453		DELETED		
-566W	061T1100-455		DELETED		
-566X	061T1100-457		DELETED		
-566Y	061T1100-459		DELETED		
-566Z	061T1100-413		DELETED		
-567	061T1100-415		DELETED		
-567A	161T1100-451		DELETED		
-567B	161T1100-453		DELETED		
-567C	161T1100-455		DELETED		
-567D	161T1100-457		.COMPONENT ASSY- (REF CMM 32-11-30)	FG	1
-567E	161T1100-459		DELETED		
-567F	161T1100-413		DELETED		
-567G	161T1100-415		.COMPONENT ASSY- (REF CMM 32-11-30)	FW	1
-567H	161T1100-437		.COMPONENT ASSY- (REF CMM 32-11-30)	FX,GN	1
-567J	161T1100-437		DELETED		
-567K	161T1100-443		.COMPONENT ASSY- (REF CMM 32-11-30)	FY	1

# 32-11-20

 ILLUSTRATED PARTS LIST  
 01.1 Page 1080L  
 Nov 01/05



**BOEING**  
COMPONENT  
MAINTENANCE MANUAL

FIG. & ITEM	PART NO.	AIRLINE PART NUMBER	NOMENCLATURE 1234567	EFF CODE	QTY PER ASSY
17- -567L	161T1100-435		. COMPONENT ASSY- (REF CMM 32-11-30)	GM	1
-567M	161T1100-469		DELETED		
-567N	161T1100-471		DELETED		
-567P	161T1100-473		DELETED		
-567Q	161T1100-475		. COMPONENT ASSY- (REF CMM 32-11-30)	GT	1
-567R	161T1100-477		. COMPONENT ASSY- (REF CMM 32-11-30)	GU	1
-567S	161T1100-483		DELETED		
-567T	161T1100-485		. COMPONENT ASSY- (REF CMM 32-11-30)	GX	1
-567U	161T1100-487		DELETED		
-567V	161T1100-489		. COMPONENT ASSY- (REF CMM 32-11-30)	BL,GZ ,HP	1
-567W	161T1100-491		. COMPONENT ASSY- (REF CMM 32-11-30)	HA,HQ	1
-567X	161T1100-495		. COMPONENT ASSY- (REF CMM 32-11-30)	BL	1
-567Y	161T1100-497		. COMPONENT ASSY- (REF CMM 32-11-30)	EG	1
R -567Z	161T1100-501		. COMPONENT ASSY- (REF CMM 32-11-30)	HS	1
R -568	161T1100-503		. COMPONENT ASSY- (REF CMM 32-11-30)	HT	1
R -568A	161T1100-505		. COMPONENT ASSY- (REF CMM 32-11-30)	HU	1
R -568B	161T1100-363		. COMPONENT ASSY- (REF CMM 32-11-30)	HY,JC	1
R -568C	161T1100-367		. COMPONENT ASSY- (REF CMM 32-11-30)	HZ	1
R -568D	161T1100-369		. COMPONENT ASSY- (REF CMM 32-11-30)	JA,JF	1
R -568E	161T1100-359		. COMPONENT ASSY- (REF CMM 32-11-30)	JB	1
R -568F	161T1100-371		. COMPONENT ASSY- (REF CMM 32-11-30)	JD	1
R -568G	161T1100-353		. COMPONENT ASSY- (REF CMM 32-11-30)	JE	1
R -568H	161T1100-365		. COMPONENT ASSY- (REF CMM 32-11-30)	JG	1
R -568J	161T1100-351		. COMPONENT ASSY- (REF CMM 32-11-30)	JH	1
R -568K	161T1100-355		. COMPONENT ASSY- (REF CMM 32-11-30)	JJ	1

**32-11-20**

ILLUSTRATED PARTS LIST  
01.1 Page 1080M  
Nov 01/05



FIG. & ITEM	PART NO.	AIRLINE PART NUMBER	NOMENCLATURE 1234567	EFF CODE	QTY PER ASSY
17-569	272T6100-1		.HYDRAULIC INSTL-SECT. 61 (FOR DETAILS SEE FIG. 2)	A-BH, BP-BZ ,HY-J J	1
-573	287T0000-5		.PROVISION INSTL-MULTI SECT. WIRE (FOR DETAILS SEE FIG. 3)	A-BH, BP-BZ ,HY-J J	1
-579	284T6100-3		.EQUIPMENT INSTL-ELEC (FOR DETAILS SEE FIG. 4)	A-BH, BP-BZ ,HY-J J	1
585	NAS6604-4		.BOLT	A-BH, BK-BZ ,EG, FB,FC ,FG FU-FY ,GM,G N,G S-GU, GX,GZ HA,HP ,HQ,H S-HU, HY-JJ	12
588	AN960PD416		.WASHER	A-BH, BP-BZ ,HY-J J	12
-588A	NAS1149D0463J		.WASHER	BK-BN ,EG, FB,FC ,FG,F U-FY GM,GN ,GS-G U,GX, GZ,HA ,HP HQ,H S-HU	12

# 32-11-20

 ILLUSTRATED PARTS LIST  
 01.1 Page 1080N  
 Nov 01/05

FIG. & ITEM	PART NO.	AIRLINE PART NUMBER	NOMENCLATURE 1234567	EFF CODE	QTY PER ASSY
17-591	161T1310-2		.BRACKET ASSY	A-BH, BK-BZ ,EG, FB,FC ,FG FU-FY ,GM,G N,G S-GU, GX,GZ HA,HP ,HQ,H S-HU, HY-JJ	1
594	BACR15BA3AD		..RIVET- (SIZE DETERMINE ON INST)	A-BH, BK-BZ ,EG, FB,FC ,FG FU-FY ,GM,G N,G S-GU, GX,GZ HA,HP ,HQ,H S-HU, HY-JJ	16
597	BRFM20A4		..NUTPLATE- (V52828) (SPEC BACN10JN4) (OPT MF1000-4BAC (V15653)) (OPT NS103218-048 (V80539)) (OPT RMF9201M4 (V72962)) (OPT VN252A048 (V92215)) (OPT VN252A048 (V92215)) (OPT T8124S4S (V11815))	A-BH, BK-BZ ,EG, FB,FC ,FG FU-FY ,GM,G N,G S-GU, GX,GZ HA,HP ,HQ,H S-HU, HY-JJ	7

32-11-20

ILLUSTRATED PARTS LIST  
01.1 Page 10800  
Nov 01/05

FIG. & ITEM	PART NO.	AIRLINE PART NUMBER	NOMENCLATURE 1234567	EFF CODE	QTY PER ASSY
17-600A	MT65S428SK1		..NUTPLATE-CAPPED (V05693)	A-BH, BK-BZ ,EG, FB,FC ,FG FU-FY ,GM,G N,G S-GU, GX,GZ HA,HP ,HQ,H S-HU, HY-JJ	1
603	287T6111-17		..BRACKET ASSY	A-BH, BK-BZ ,EG, FB,FC ,FG FU-FY ,GM,G N,G S-GU, GX,GZ HA,HP ,HQ,H S-HU, HY-JJ	1
			ATTACHING PARTS		

# 32-11-20

 ILLUSTRATED PARTS LIST  
 01.1 Page 1080P  
 Nov 01/05

FIG. & ITEM	PART NO.	AIRLINE PART NUMBER	NOMENCLATURE	EFF CODE	QTY PER ASSY
17-606	BACR15FT5KE		1234567 ..RIVET- (SIZE DETERMINE ON INST)	A-BH, BK-BZ ,EG, FB,FC ,FG FU-FY ,GM,G N,G S-GU, GX,GZ HA,HP ,HQ,H S-HU, HY-JJ	2
609	BACR15BA3AD		-----*----- ...RIVET- (SIZE DETERMINE ON INST)	A-BH, BK-BZ ,EG, FB,FC ,FG FU-FY ,GM,G N,G S-GU, GX,GZ HA,HP ,HQ,H S-HU, HY-JJ	4

**32-11-20**

FIG. & ITEM	PART NO.	AIRLINE PART NUMBER	NOMENCLATURE 1234567	EFF CODE	QTY PER ASSY
17-612	T8097S1032K		...NUTPLATE- (V11815) (SPEC BACN10KA3A) (OPT NS103226-02 (V80539))	A-BH, BK-BZ ,EG, FB,FC ,FG FU-FY ,GM,G N,G S-GU, GX,GZ HA,HP ,HQ,H S-HU, HY-JJ	2
615	287T6111-19		...BRACKET	A-BH, BK-BZ ,EG, FB,FC ,FG FU-FY ,GM,G N,G S-GU, GX,GZ HA,HP ,HQ,H S-HU, HY-JJ	1
618	161T1310-5		..PAD	A-BH, BK-BZ ,EG, FB,FC ,FG FU-FY ,GM,G N,G S-GU, GX,GZ HA,HP ,HQ,H S-HU, HY-JJ	1

# 32-11-20

 ILLUSTRATED PARTS LIST  
 01.1 Page 1080R  
 Nov 01/05

FIG. & ITEM	PART NO.	AIRLINE PART NUMBER	NOMENCLATURE 1234567	EFF CODE	QTY PER ASSY
17-621	BACR15FT5KE		..RIVET- (SIZE DETERMINE ON INST)	A-BH, BK-BZ ,EG, FB,FC ,FG FU-FY ,GM,G N,G S-GU, GX,GZ HA,HP ,HQ,H S-HU, HY-JJ	14
624	161T1311-12		..CHANNEL	A-BH, BK-BZ ,EG, FB,FC ,FG FU-FY ,GM,G N,G S-GU, GX,GZ HA,HP ,HQ,H S-HU, HY-JJ	1
627	161T1311-10		..BRACKET-CTR SPRT	A-BH, BK-BZ ,EG, FB,FC ,FG FU-FY ,GM,G N,G S-GU, GX,GZ HA,HP ,HQ,H S-HU, HY-JJ	2

**32-11-20**

FIG. & ITEM	PART NO.	AIRLINE PART NUMBER	NOMENCLATURE 1234567	EFF CODE	QTY PER ASSY
17-630	161T1310-3		.BRACKET ASSY	A-BH, BK-BZ ,EG, FB,FC ,FG FU-FY ,GM,G N,G S-GU, GX,GZ HA,HP ,HQ,H S-HU, HY-JJ	1
636	BACR15BA3AD		..RIVET- (SIZE DETERMINE ON INST)	A-BH, BK-BZ ,EG, FB,FC ,FG FU-FY ,GM,G N,G S-GU, GX,GZ HA,HP ,HQ,H S-HU, HY-JJ	8
639A	MT65S428SK1		..NUTPLATE-CAPPED (V05693)	A-BH, BK-BZ ,EG, FB,FC ,FG FU-FY ,GM,G N,G S-GU, GX,GZ HA,HP ,HQ,H S-HU, HY-JJ	4

# 32-11-20

 ILLUSTRATED PARTS LIST  
 01.1 Page 1080T  
 Nov 01/05

FIG. & ITEM	PART NO.	AIRLINE PART NUMBER	NOMENCLATURE 1234567	EFF CODE	QTY PER ASSY
17-642	287T6111-17		..BRACKET ASSY	A-BH, BK-BZ ,EG, FB,FC ,FG FU-FY ,GM,G N,G S-GU, GX,GZ HA,HP ,HQ,H S-HU, HY-JJ	2
645	BACR15FT5KE		ATTACHING PARTS ..RIVET- (SIZE DETERMINE ON INST)	A-BH, BK-BZ ,EG, FB,FC ,FG FU-FY ,GM,G N,G S-GU, GX,GZ HA,HP ,HQ,H S-HU, HY-JJ	4
			-----*		

**32-11-20**

ILLUSTRATED PARTS LIST  
01.1 Page 1080U  
Nov 01/05



FIG. & ITEM	PART NO.	AIRLINE PART NUMBER	NOMENCLATURE 1234567	EFF CODE	QTY PER ASSY
17-648	BACR15BA3AD		...RIVET- (SIZE DETERMINE ON INST)	A-BH, BK-BZ ,EG, FB,FC ,FG FU-FY ,GM,G N,G S-GU, GX,GZ HA,HP ,HQ,H S-HU, HY-JJ	4
651	T8097S1032K		...NUTPLATE- (V11815) (SPEC BACN10KA3A) (OPT NS103226-02 (V80539))	A-BH, BK-BZ ,EG, FB,FC ,FG FU-FY ,GM,G N,G S-GU, GX,GZ HA,HP ,HQ,H S-HU, HY-JJ	2
654	287T6111-19		...BRACKET	A-BH, BK-BZ ,EG, FB,FC ,FG FU-FY ,GM,G N,G S-GU, GX,GZ HA,HP ,HQ,H S-HU, HY-JJ	1

# 32-11-20

 ILLUSTRATED PARTS LIST  
 01.1 Page 1080V  
 Nov 01/05

FIG. & ITEM	PART NO.	AIRLINE PART NUMBER	NOMENCLATURE 1234567	EFF CODE	QTY PER ASSY
17-657	161T1310-5		..PAD	A-BH, BK-BZ ,EG, FB,FC ,FG FU-FY ,GM,G N,G S-GU, GX,GZ HA,HP ,HQ,H S-HU, HY-JJ	1
660	BACR15FT5KE		..RIVET- (SIZE DETERMINE ON INST)	A-BH, BK-BZ ,EG, FB,FC ,FG FU-FY ,GM,G N,G S-GU, GX,GZ HA,HP ,HQ,H S-HU, HY-JJ	8
663	161T1311-11		..PLATE	A-BH, BK-BZ ,EG, FB,FC ,FG FU-FY ,GM,G N,G S-GU, GX,GZ HA,HP ,HQ,H S-HU, HY-JJ	2

32-11-20

FIG. & ITEM	PART NO.	AIRLINE PART NUMBER	NOMENCLATURE 1234567	EFF CODE	QTY PER ASSY
17-666	161T1311-12		..CHANNEL	A-BH, BK-BZ ,EG, FB,FC ,FG FU-FY ,GM,G N,G S-GU, GX,GZ HA,HP ,HQ,H S-HU, HY-JJ	1
669	161T1311-10		..BRACKET-CTR SPRT	A-BH, BK-BZ ,EG, FB,FC ,FG FU-FY ,GM,G N,G S-GU, GX,GZ HA,HP ,HQ,H S-HU, HY-JJ	1
777	NAS6604H4		.BOLT	E	24
779	AN960PD416		.WASHER	E	24
781	161T1246-1		.RING ASSY-MTG (OPT ITEM 781A)	E	4
-781A	161T1246-3		.RING ASSY-MTG (OPT ITEM 781)	E	4
783	161T1207-1		..PIN	E	1
785	MS21209F4-15		..INSERT	E	6
787	161T1246-2		..RING- (USED ON ITEM 781)	E	1
-787A	161T1246-4		..RING- (USED ON ITEM 781A)	E	1
789	161T1240-5		.FAN AND DRIVE ASSY	E	4
791A	BACB30NT3K1		..SCREW	E	4
793A	AN960JD10LL		..WASHER	E	4

# 32-11-20

 ILLUSTRATED PARTS LIST  
 01.1 Page 1080X  
 Nov 01/05

 **BOEING**  
COMPONENT  
MAINTENANCE MANUAL

FIG. & ITEM	PART NO.	AIRLINE PART NUMBER	NOMENCLATURE 1234567	EFF CODE	QTY PER ASSY
17-					
795	69B83395-1		..COVER	E	1
797	NAS6603H25		..BOLT	E	2
799A	AN960JD10LL		..WASHER	E	2
801	161T1240-6		..SHROUD AND SEAL ASSY	E	1
803	BACB30MY6K3		...BOLT	E	11
805	HL79-6		...COLLAR- (V5M902) (SPEC BACC30M6) (OPT HL79-6 (V73197)) (OPT HL79-6 (V92215)) (OPT 66014-6 (V56878)) (OPT HL79-6 (V56878))	E	11
807	161T1244-2		...SEAL	E	1
809	BACR15BB5AD		...RIVET- (SIZE DETERMINE ON INST)	E	18
811	161T1243-3		DELETED		
811A	161T1243-2		...SKIRT-FAN SHROUD	E	1
813	161T1241-1		...SHROUD ASSY-FAN (OPT ITEM 813A)	E	1
-813A	161T1241-3		...SHROUD ASSY-FAN (OPT ITEM 813)	E	1
815A	MS21209F1-15		....INSERT- (USED ON ITEM 813)	E	4
-815B	MS21209F1-10P		....INSERT- (USED ON ITEM 813A)	E	4
817	161T1241-2		....SHROUD- (USED ON ITEM 813)	E	1
-817A	161T1241-4		....SHROUD- (USED ITEM 813A)	E	1

**32-11-20**

ILLUSTRATED PARTS LIST  
01.1 Page 1080Y  
Nov 01/05

FIG. & ITEM	PART NO.	AIRLINE PART NUMBER	NOMENCLATURE 1234567	EFF CODE	QTY PER ASSY
17-					
820	161T1248-1		...RETAINER-SEAL	E	1
822	161T1248-2		...RETAINER-SEAL	E	1
824	R9106PPA4298		..BEARING- (V21335) (SPEC BACB10BA30PP) (OPT LL106KSG20 (V38443)) (OPT LL106KS (V38443)) (OPT 6006TT (V43991)) (OPT 9106LLT1C1-01 (V21760)) (OPT 9106NPPFS428 (V21335)) (OPT 993L06 (V29337)) (OPT PKTLL106P1 (V78118)) (OPT C106RRPOZZ (V40920)) (OPT C106RRPP1P28LY1 (V40920)) (OPT R9106PPA4298 (V9V013)) (OPT ITEMS 824A, 824B)	E	2
-824A	SK0771-1		..BEARING- (V05341) (OPT ITEMS 824, 824B)	E	2
-824B	9106NPPFS464		..BEARING- (PERF) (V21335) (OPT ITEMS 824, 824A)	E	2

# 32-11-20

 ILLUSTRATED PARTS LIST  
 01.1 Page 1080Z  
 Nov 01/05

FIG. & ITEM	PART NO.	AIRLINE PART NUMBER	NOMENCLATURE 1234567	EFF CODE	QTY PER ASSY
17-					
826	69B83394-2		..SPACER	E	1
828	69B83396-2		..RETAINER- (LIMITED) (OPT ITEM 828A)	E	1
-828A	69B83396-3		..RETAINER- (OPT ITEM 828)	E	1
830	NAS6603H2		..BOLT	E	4
832	65B84414-4		..FAN ASSY	E	1
834	MS21209F1-15		...INSERT	E	4
836	65B84414-5		...FAN	E	1
837	161T1245-1		..SPACER	E	1
839	75984		..BELLOWS ASSY-DRIVE (V92003) (SPEC 60B80106-1)	E	1
841	NAS1352C08H10		..SCREW	E	2
843	161T1223-1		..WASHER	E	1
845	161T1220-1		..CUP	E	1
847	78529		..COUPLING ASSY- (V92003) (SPEC S161T102-2) (OPT TO ITEM 847A)	E	1
-847A	84490-1		..COUPLING ASSY- (V07649) (SPEC S161T102-5) (OPT TO ITEM 847)	E	1
-850	161T1000-5001		.COLLECTOR-LIMITED PART (REPLS ITEM 850A)	D	1
-850A	161T1000-5002		.COLLECTOR-LIMITED PART (REPLD BY ITEM 850) (FOR DETAILS SEE FIG. 8)	D	1
-850B	161T1000-5005		.COLLECTOR-LIMITED PART (REPLS ITEM 850C)	N	1
-850C	161T1000-5006		.COLLECTOR-LIMITED PART (REPLD BY ITEM 850B) (FOR DETAILS SEE FIG. 8)	N	1
-850D	161T1000-5007		.COLLECTOR-LIMITED PART (REPLS ITEM 850E)	P	1
-850E	161T1000-5008		.COLLECTOR-LIMITED PART (REPLD BY ITEM 850D) (FOR DETAILS SEE FIG. 8)	P	1

32-11-20

FIG. & ITEM	PART NO.	AIRLINE PART NUMBER	NOMENCLATURE 1234567	EFF CODE	QTY PER ASSY
17- -855	161T1000-5017		.COLLECTOR-LIMITED PART (REPLS ITEM 855A)	K	1
-855A	161T1000-5018		.COLLECTOR-LIMITED PART (REPLD BY ITEM 855) (FOR DETAILS SEE FIG. 8)	K	1
-865	165T0000-1		..TIRE AND BRAKE INSTL- WHEEL MLG (USED ON ITEMS 850, 850B, 850D, 855) (FOR DETAILS SEE FIG. 9)	D,K,N ,P	1
-870	161T1000-5021		.COLLECTOR-LIMITED PART (FOR DETAILS SEE FIG. 11)	BF	1
-870A	161T1000-5025		.COLLECTOR-LIMITED PART (FOR DETAILS SEE FIG. 11)	BH	1
-870C	161T1000-5033		.COLLECTOR-LIMITED PART (FOR DETAILS SEE FIG. 11)	AX	1
-870D	161T1000-5019		.COLLECTOR-LIMITED PART (FOR DETAILS SEE FIG. 11)	BF	1
-900	161T1200-1		.BFE ASSY-COLLECTOR (FOR DETAILS SEE FIG. 19)	FA	1
-905	161T2030-1		.ECCENTRIC ASSY- (REF CMM 32-11-70)	BL,EG ,FA, FC,FG ,FU-F Y,GX GZ,HA ,HP,H Q,H S-HU	1

# 32-11-20

 ILLUSTRATED PARTS LIST  
 01.1 Page 1082  
 Nov 01/05

FIG. & ITEM	PART NO.	AIRLINE PART NUMBER	NOMENCLATURE 1234567	EFF CODE	QTY PER ASSY
17- -910	161T2031-1		.LOCK ASSY- (REF CMM 32-11-81)	FA	1
-910A	161T2031-5		.LOCK ASSY- (REF CMM 32-11-81)	BL,EG ,FB, FC,FG ,FU-F Y,GM GN,G S-GU, GX,GZ ,HA,H P,HQ HS-HU	1
-915	NAS6605-18		ATTACHING PARTS .BOLT	BL,EG ,FA- FC,FG ,FU-F Y,GM GN,G S-GU, GX,GZ ,HA,H P,HQ HS-HU	2
-920	NAS1149F0563P		.WASHER	BL,EG ,FA- FC,FG ,FU-F Y,GM GN,G S-GU, GX,GZ ,HA,H P,HQ HS-HU	2

**32-11-20**

ILLUSTRATED PARTS LIST  
01.1 Page 1082A  
Nov 01/05

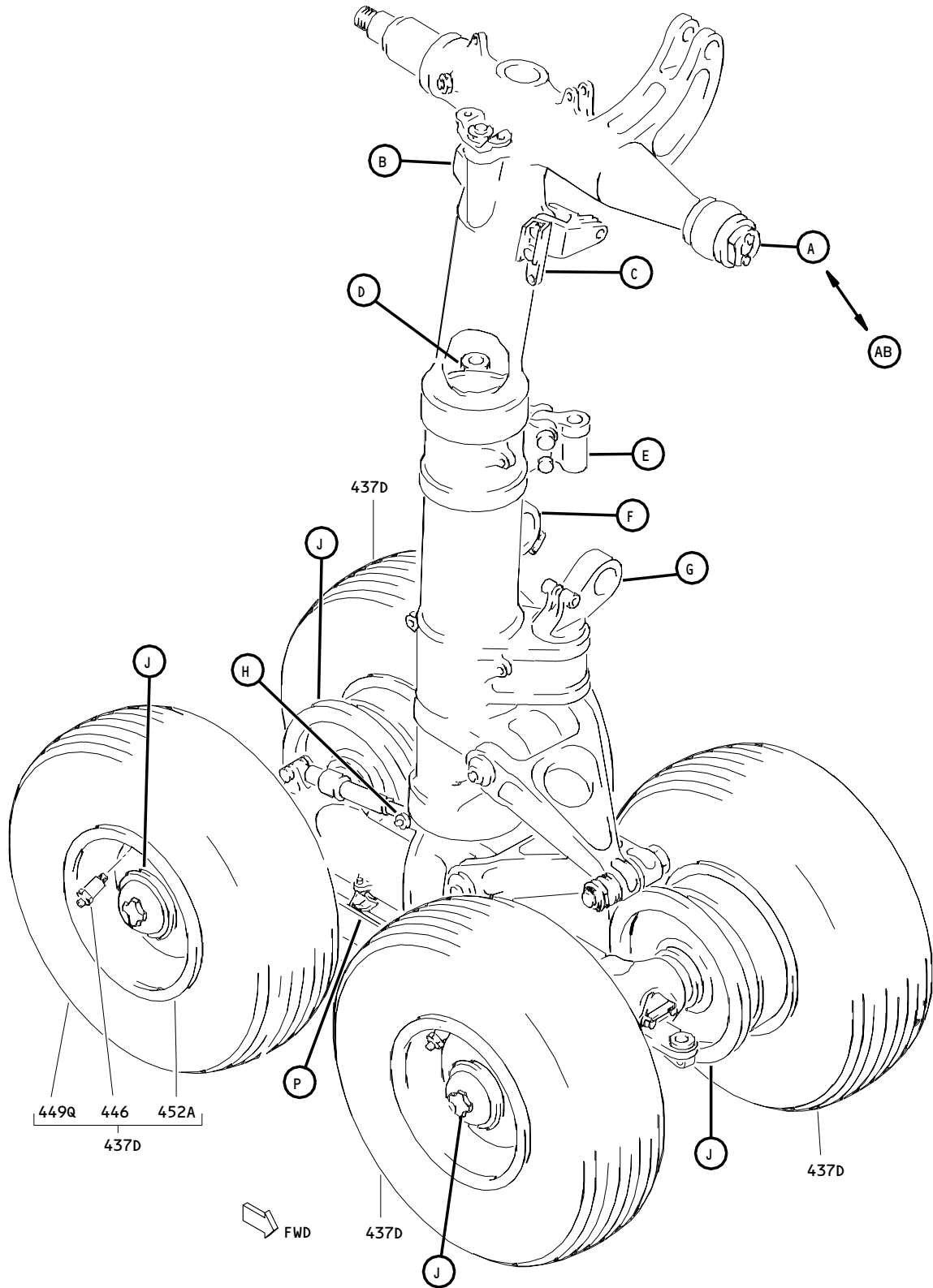


FIG. & ITEM	PART NO.	AIRLINE PART NUMBER	NOMENCLATURE 1234567	EFF CODE	QTY PER ASSY
17- -925	MS21042L5		.NUT	BL,EG ,FA- FC,FG ,FU-F Y,GM GN,G S-GU, GX,GZ ,HA,H P,HQ HS-HU	2
-930	NAS1801-3D10		.SCREW- (OPT ITEM 935)	BL,EG ,FA- FC,FG ,FU-F Y,GM GN,G S-GU, GX,GZ ,HA,H P,HQ HS-HU	8
-935	NAS1802-3D10		.BOLT- (OPT ITEM 930)	BL,EG ,FA- FC,FG ,FU-F Y,GM GN,G S-GU, GX,GZ ,HA,H P,HQ HS-HU	8
			-----*		

- Item Not Illustrated

# 32-11-20

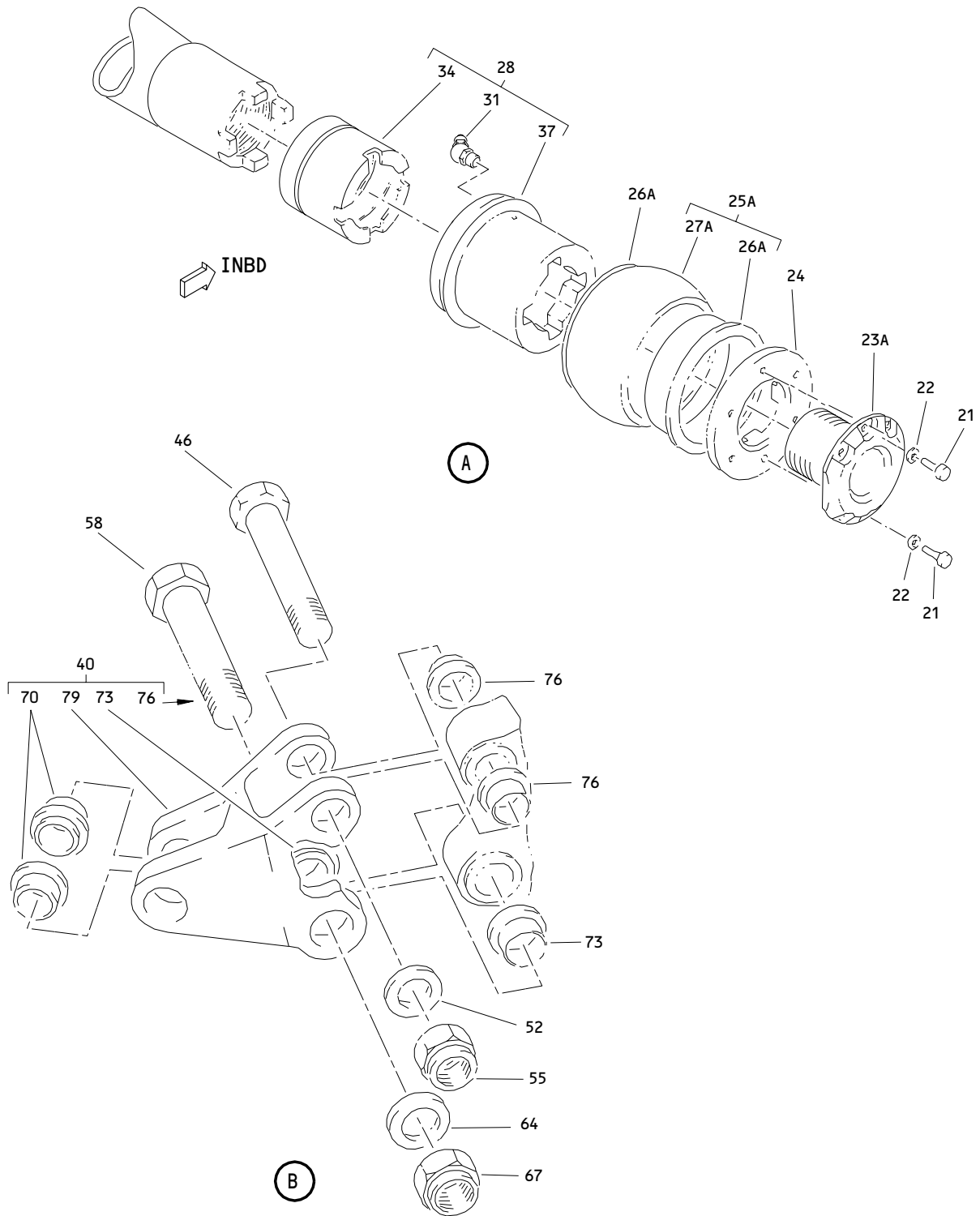
 ILLUSTRATED PARTS LIST  
 01.1 Page 1082B  
 Nov 01/05



Main Landing Gear Buildup Assembly (Right Hand)  
Figure 18 (Sheet 1)

**32-11-20**

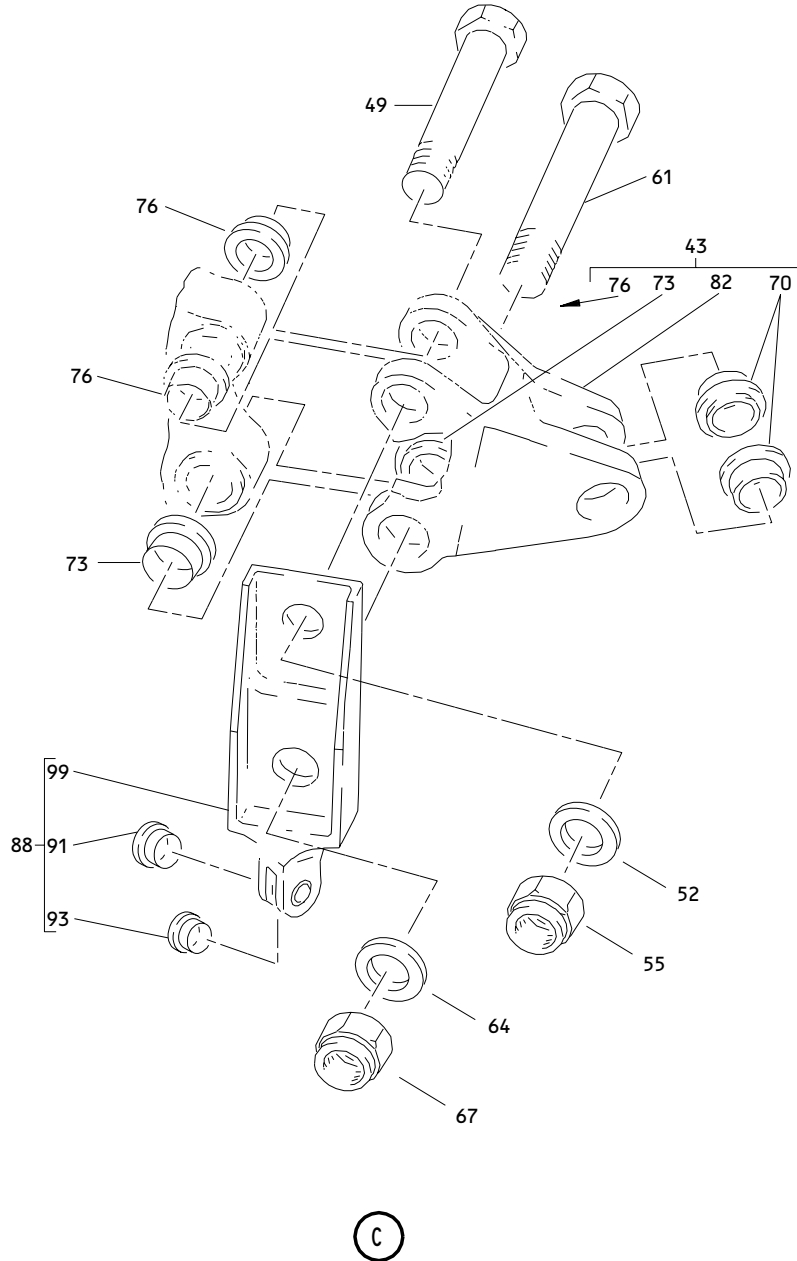
ILLUSTRATED PARTS LIST  
01.1 Page 1082C  
Nov 01/05



Main Landing Gear Buildup (Right Hand)  
 Figure 18 (Sheet 2)

**32-11-20**

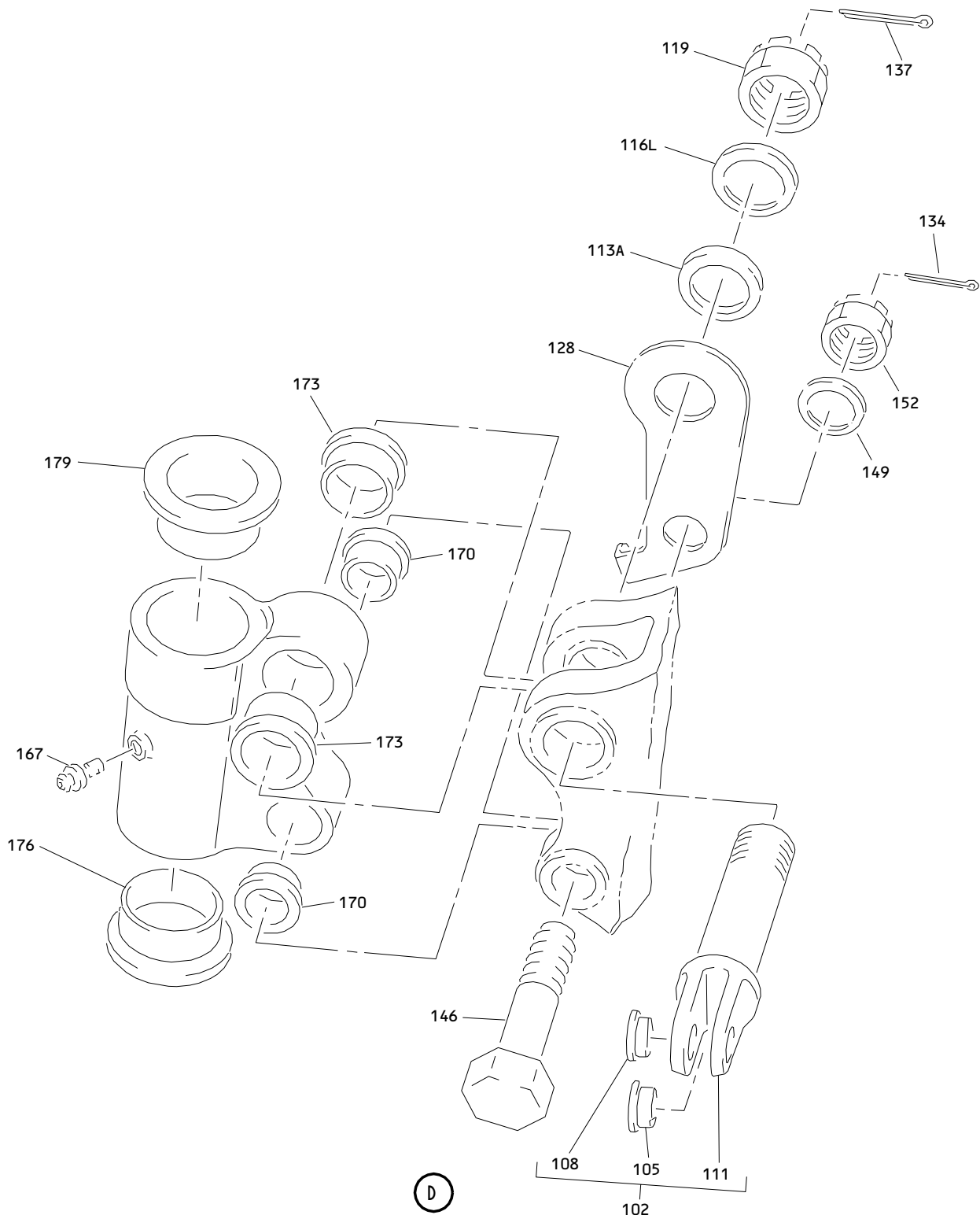
ILLUSTRATED PARTS LIST  
 01.1 Page 1082D  
 Nov 01/05



Main Landing Gear Buildup (Right Hand)  
Figure 18 (Sheet 3)

**32-11-20**

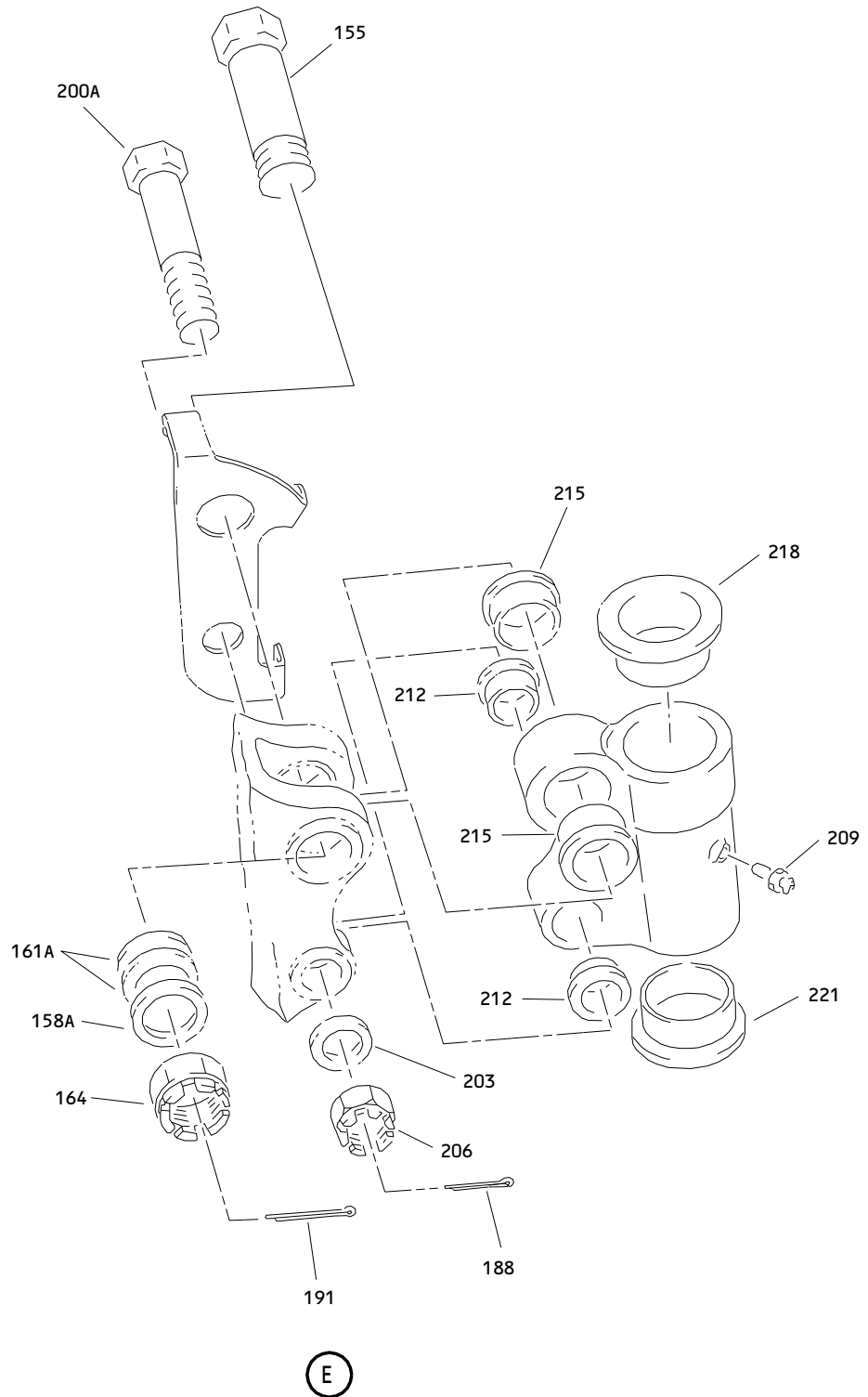
ILLUSTRATED PARTS LIST  
01.1 Page 1082E  
Nov 01/05



Main Landing Gear Buildup (Right Hand)  
 Figure 18 (Sheet 4)

**32-11-20**

ILLUSTRATED PARTS LIST  
 01.1 Page 1082F  
 Nov 01/05

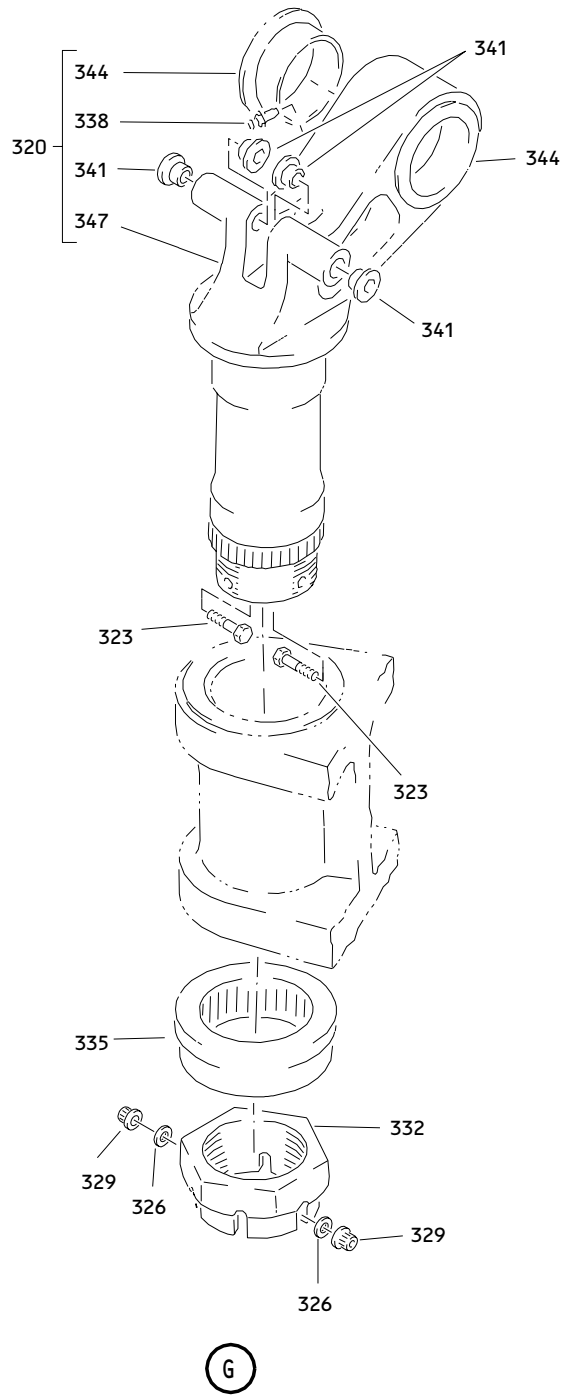
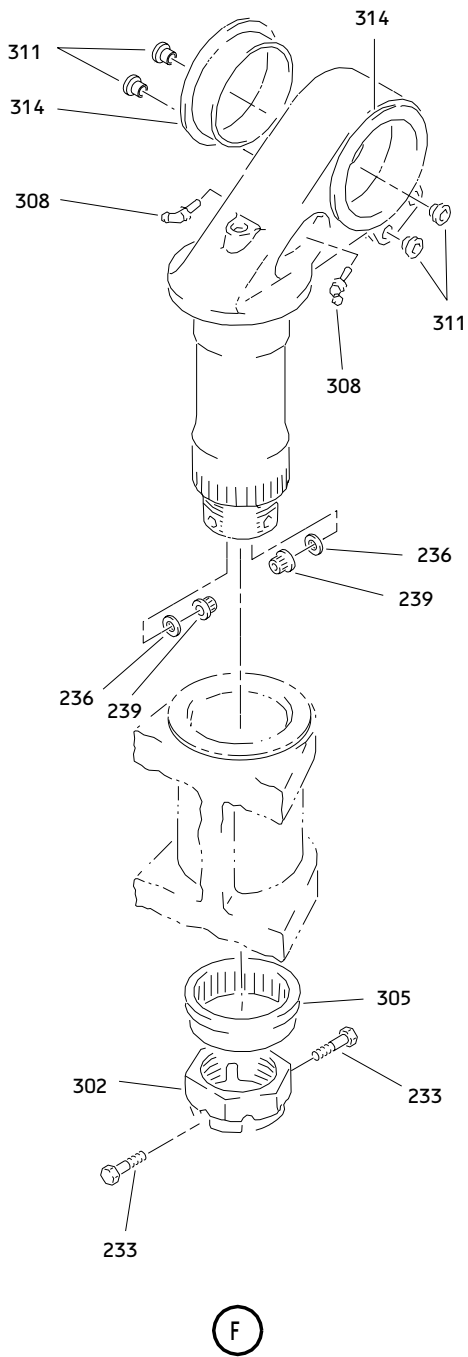


Main Landing Gear Buildup (Right Hand)  
Figure 18 (Sheet 5)

**32-11-20**

ILLUSTRATED PARTS LIST  
01.1 Page 1082G  
Nov 01/05

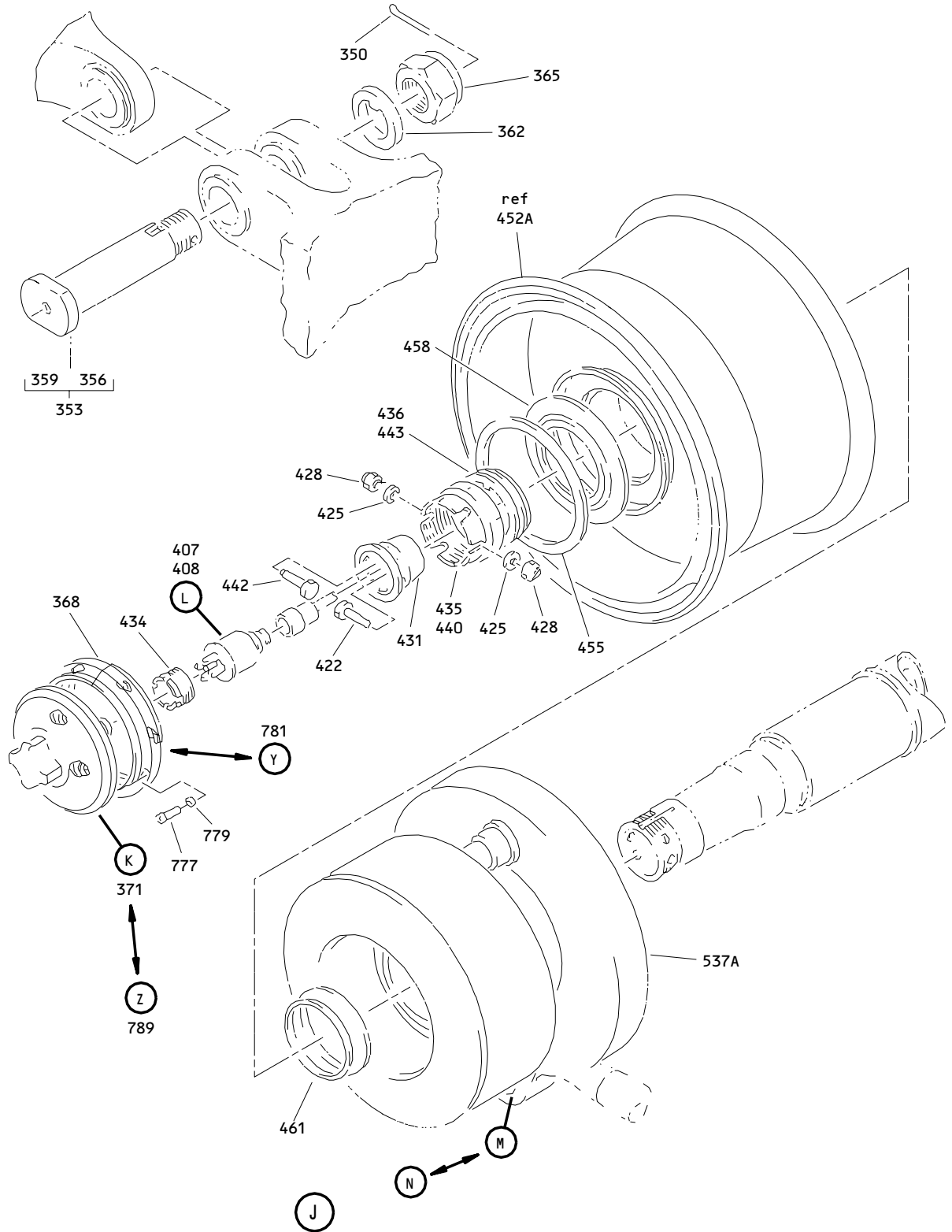
636767



Main Landing Gear Buildup (Right Hand)  
 Figure 18 (Sheet 6)

**32-11-20**

ILLUSTRATED PARTS LIST  
 01.1 Page 1082H  
 Nov 01/05

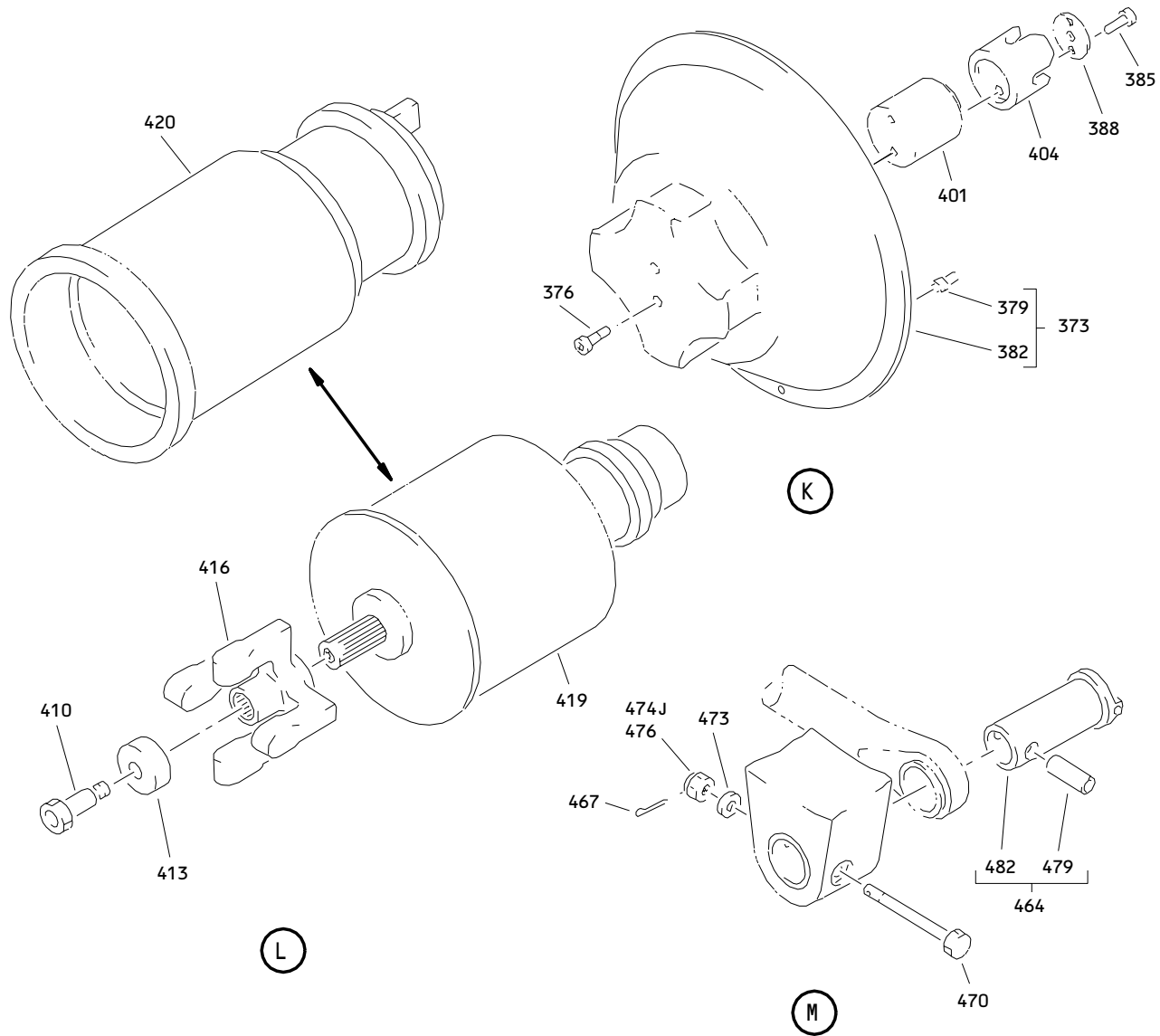


Main Landing Gear Buildup (Right Hand)  
Figure 18 (Sheet 7)

**32-11-20**

ILLUSTRATED PARTS LIST  
01.1 Page 1082I  
Nov 01/05

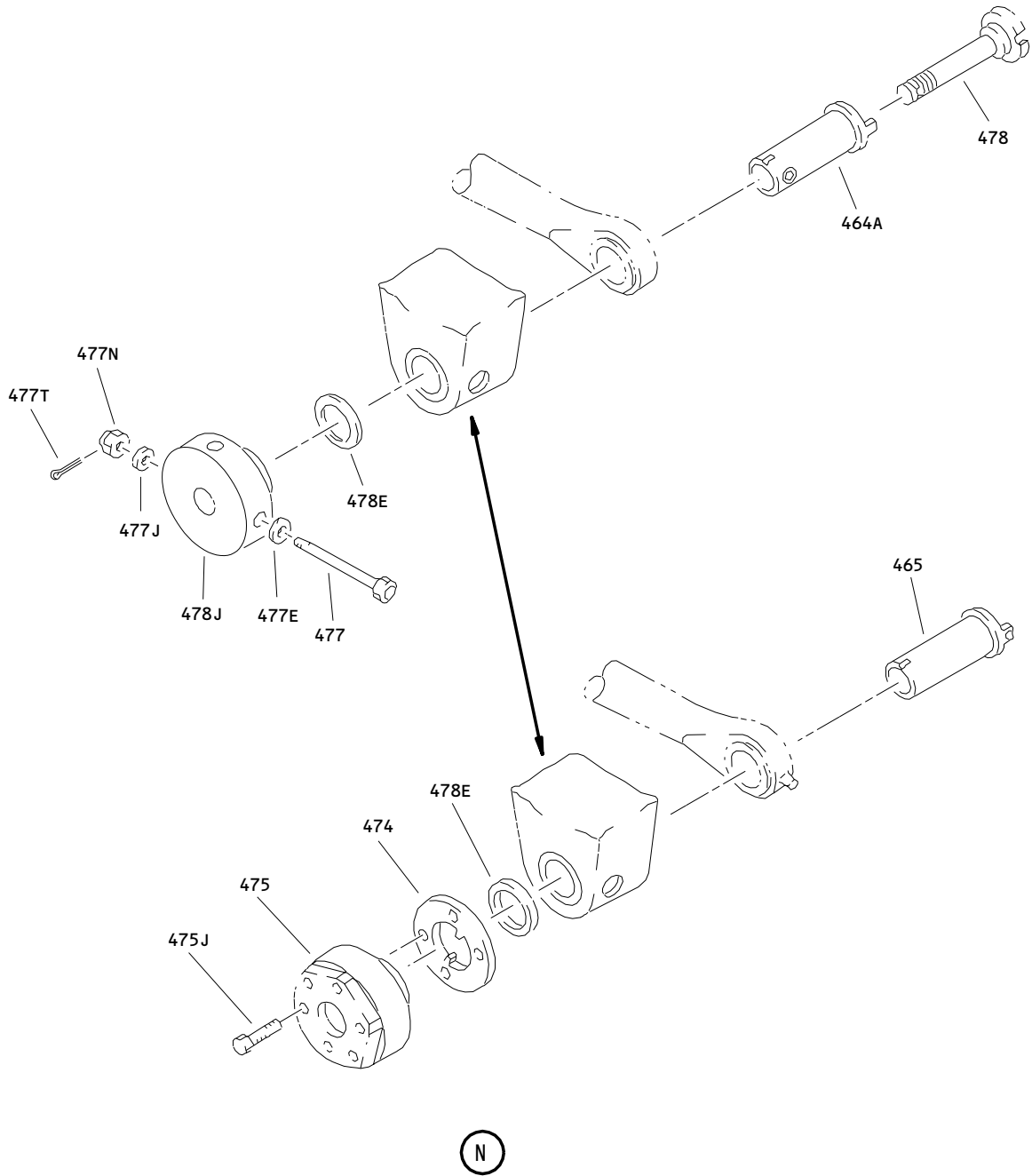




Main Landing Gear Buildup (Right Hand)  
 Figure 18 (Sheet 8)

**32-11-20**

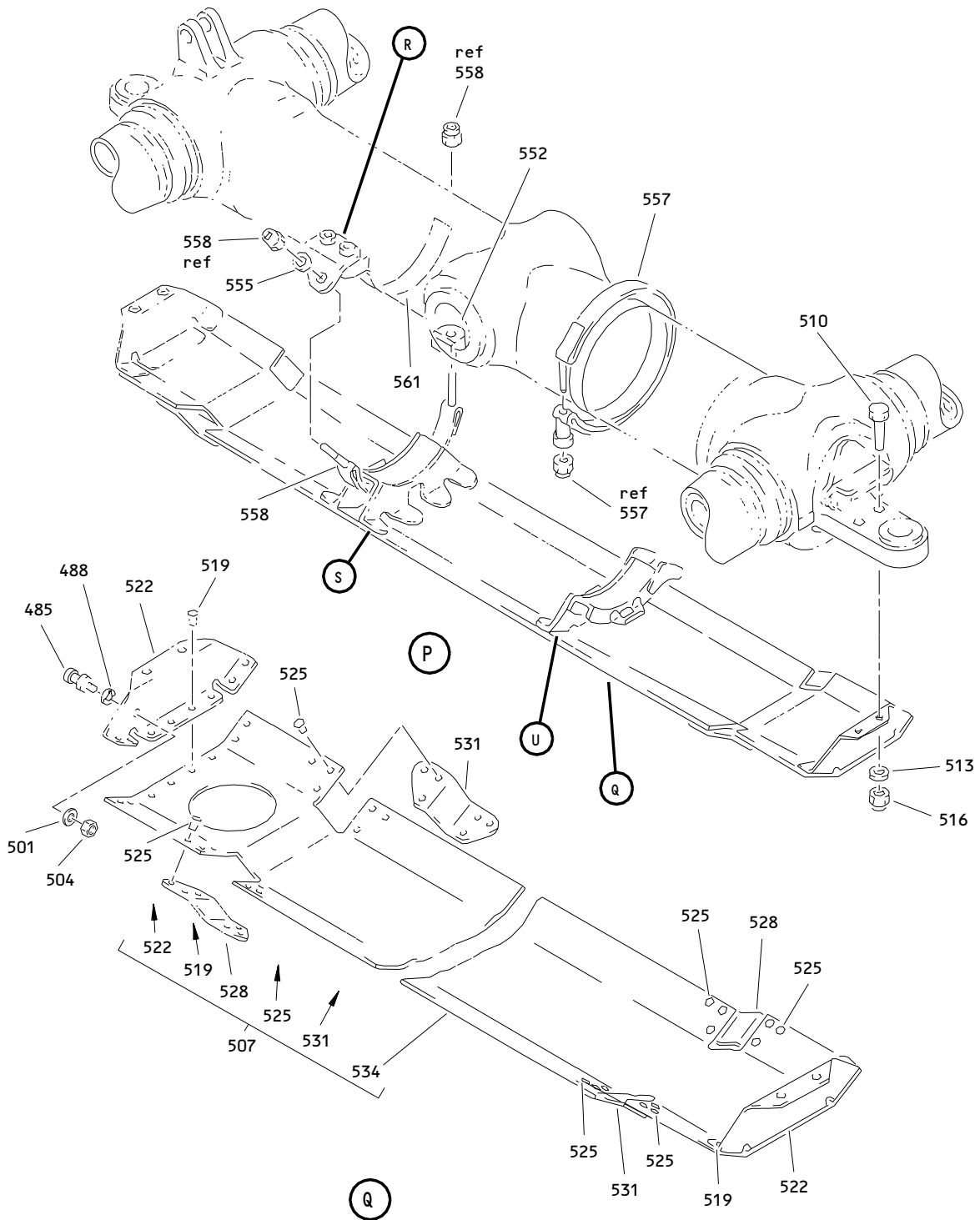
ILLUSTRATED PARTS LIST  
 01.1 Page 1082J  
 Nov 01/05



Main Landing Gear Buildup (Right Hand)  
Figure 18 (Sheet 9)

**32-11-20**

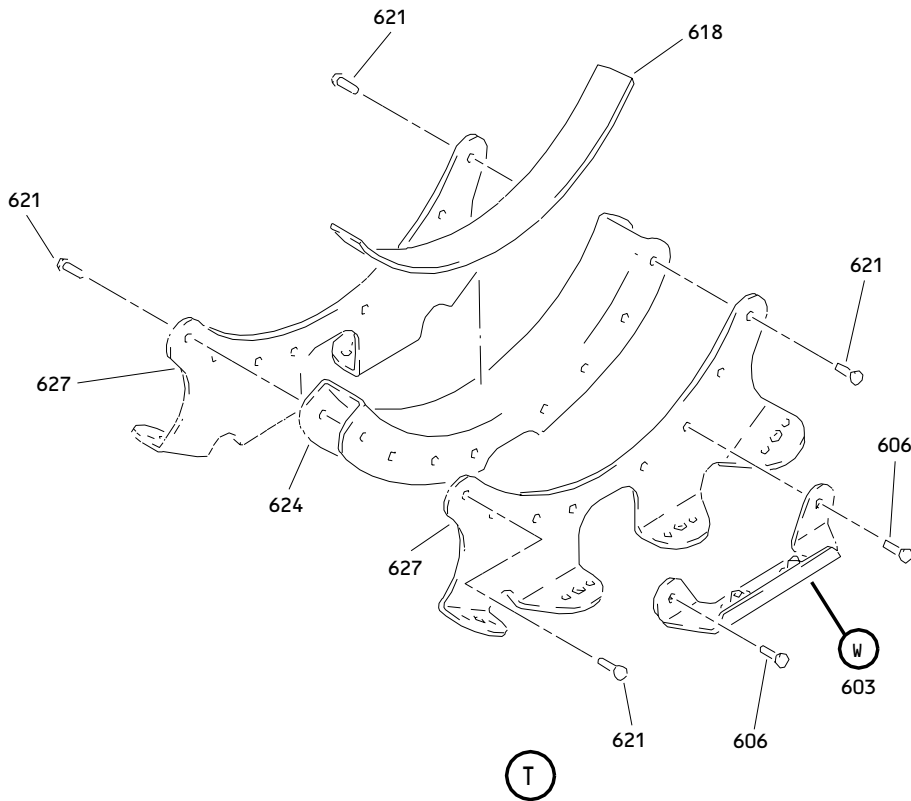
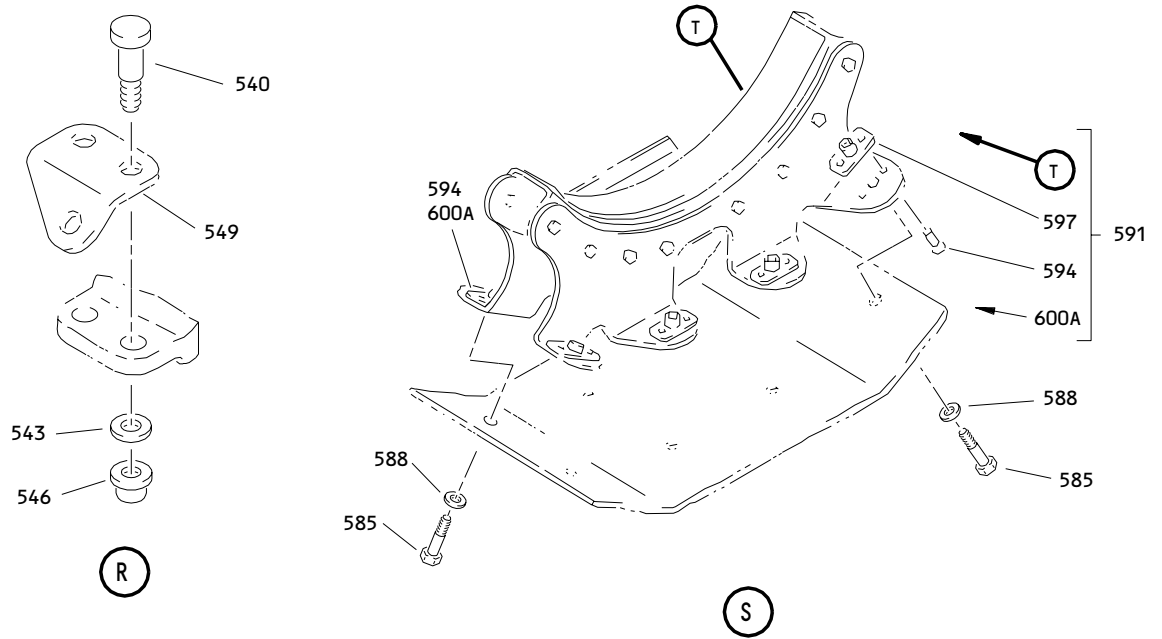
ILLUSTRATED PARTS LIST  
01.1 Page 1082K  
Nov 01/05



Main Landing Gear Buildup (Right Hand)  
 Figure 18 (Sheet 10)

**32-11-20**

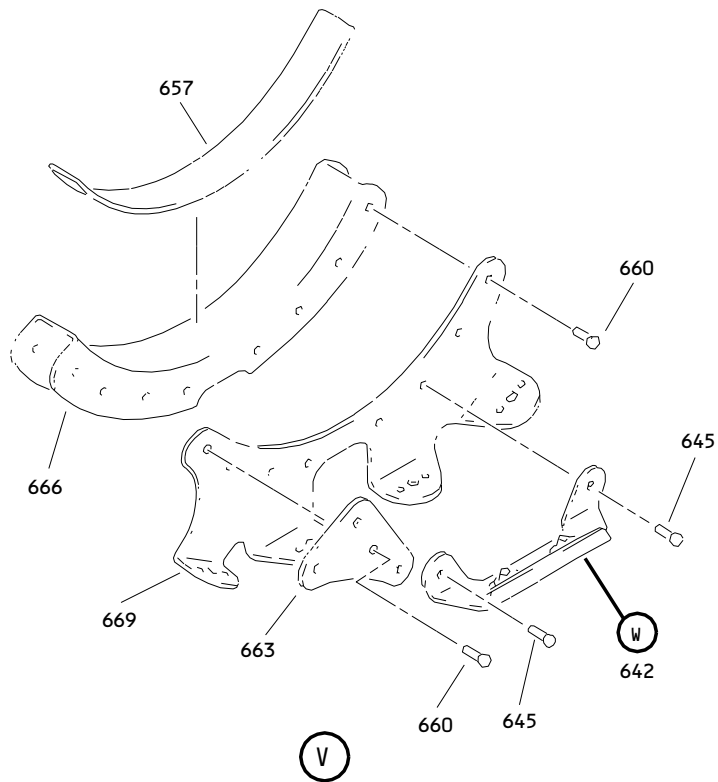
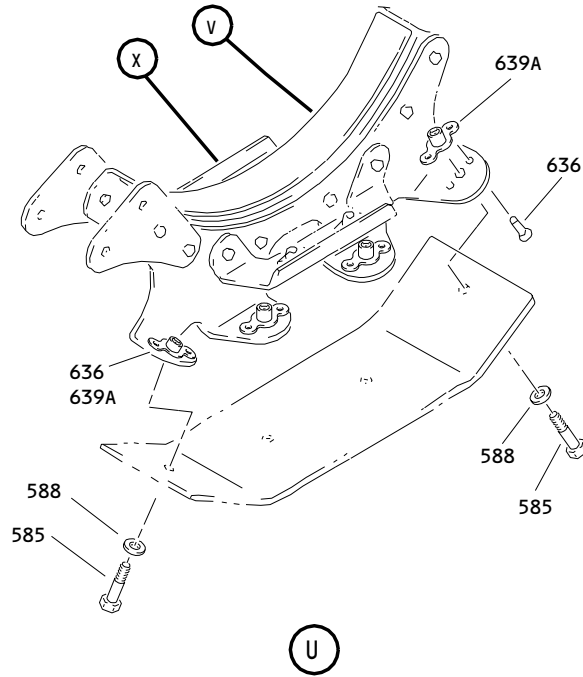
ILLUSTRATED PARTS LIST  
 01.1 Page 1082L  
 Nov 01/05



Main Landing Gear Buildup (Right Hand)  
Figure 18 (Sheet 11)

**32-11-20**

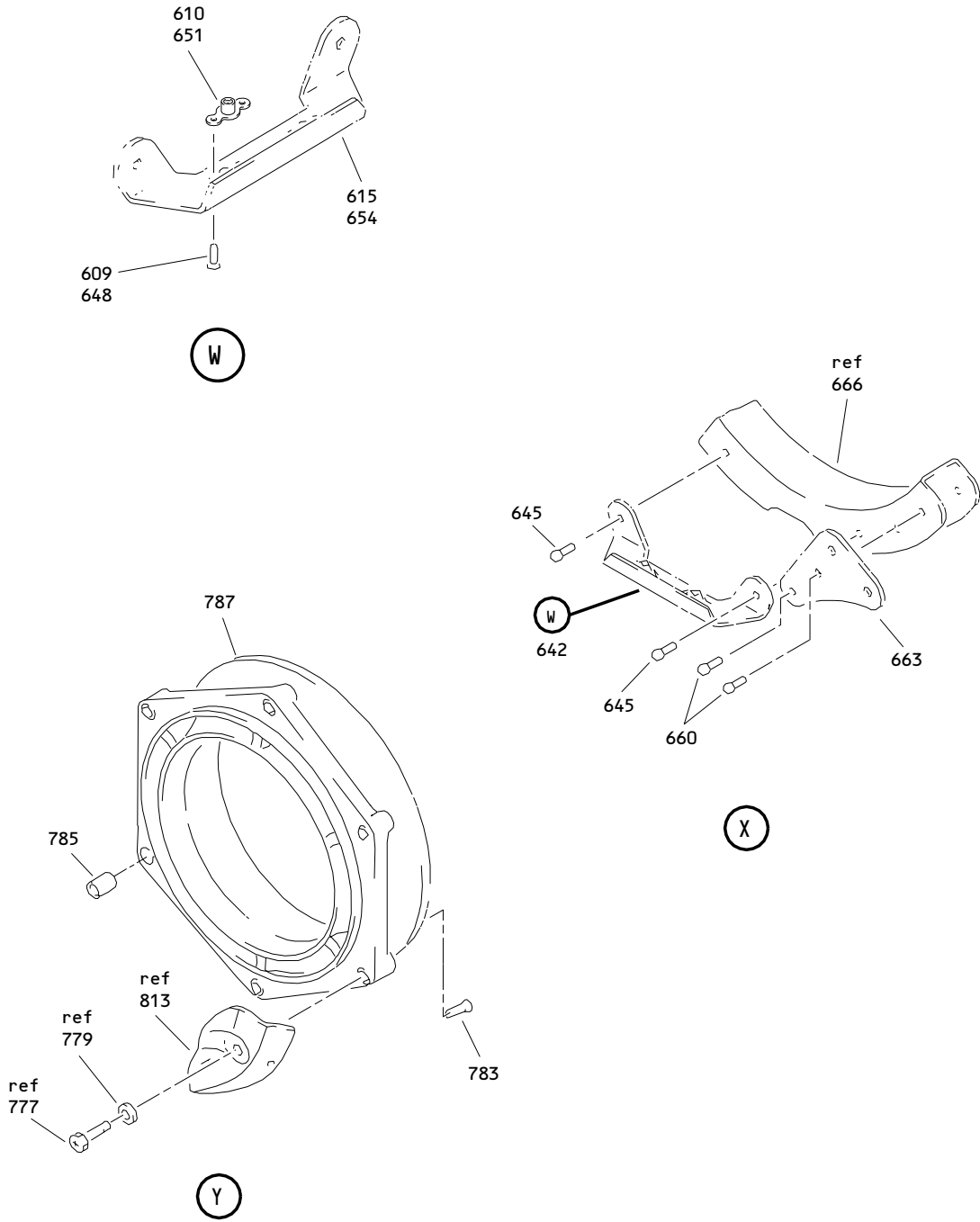
ILLUSTRATED PARTS LIST  
01.1 Page 1082M  
Nov 01/05



Main Landing Gear Buildup (Right Hand)  
 Figure 18 (Sheet 12)

**32-11-20**

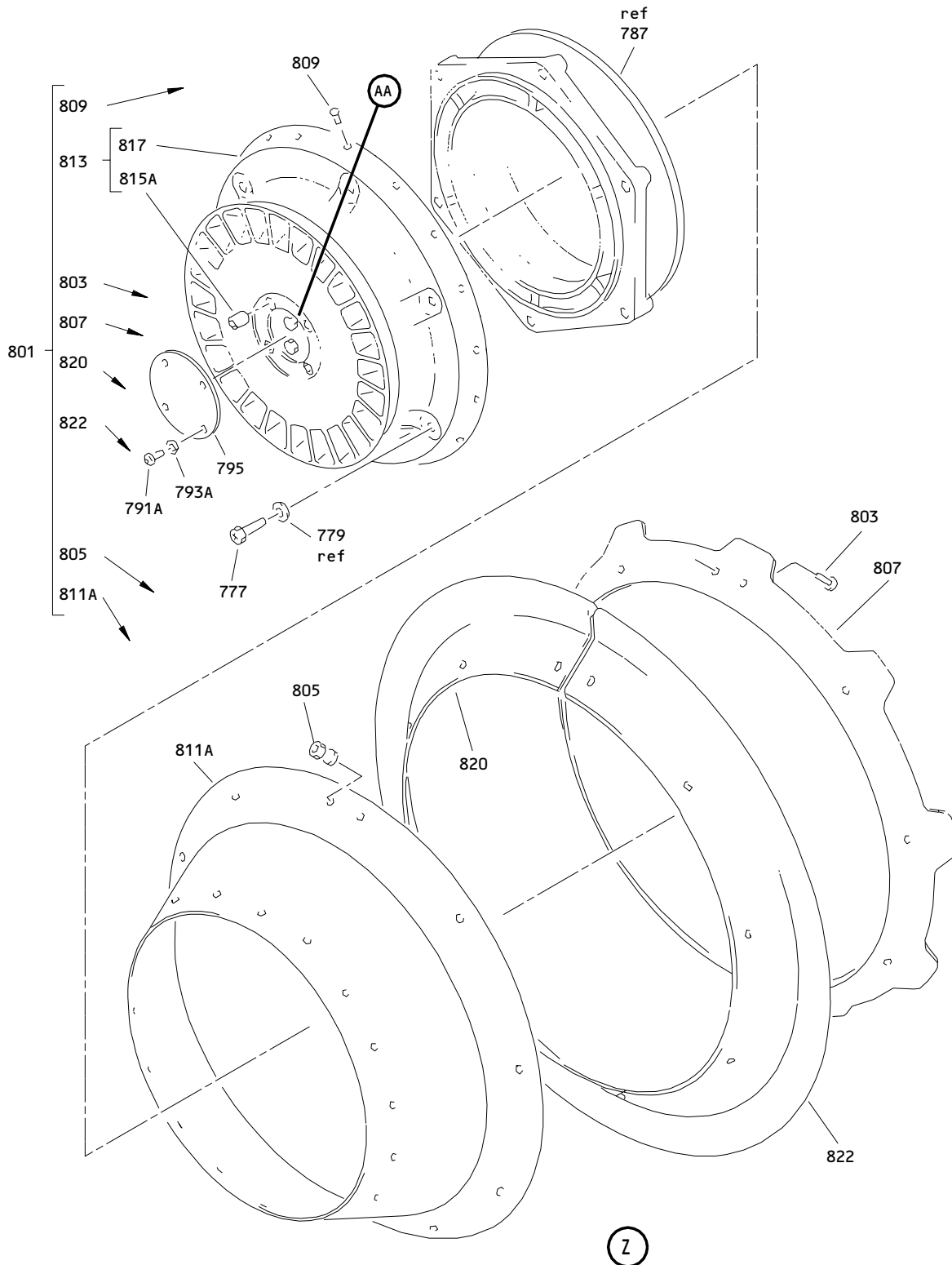
ILLUSTRATED PARTS LIST  
 01.1 Page 1082N  
 Nov 01/05



Main Landing Gear Buildup (Right Hand)  
Figure 18 (Sheet 13)

**32-11-20**

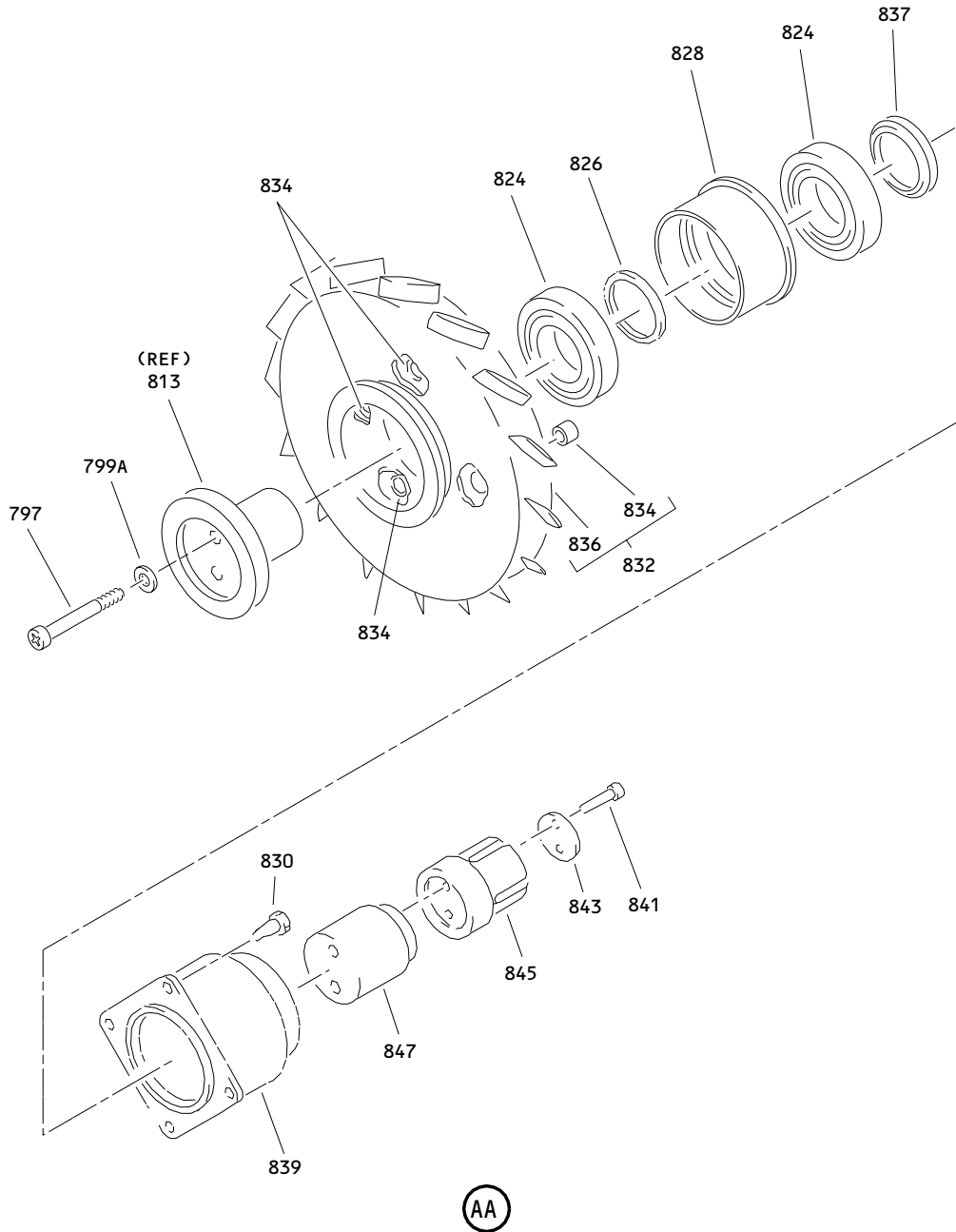
ILLUSTRATED PARTS LIST  
01.1 Page 10820  
Nov 01/05



**Main Landing Gear Buildup (Right Hand)  
 Figure 18 (Sheet 14)**

**32-11-20**

ILLUSTRATED PARTS LIST  
 01.1 Page 1082P  
 Nov 01/05

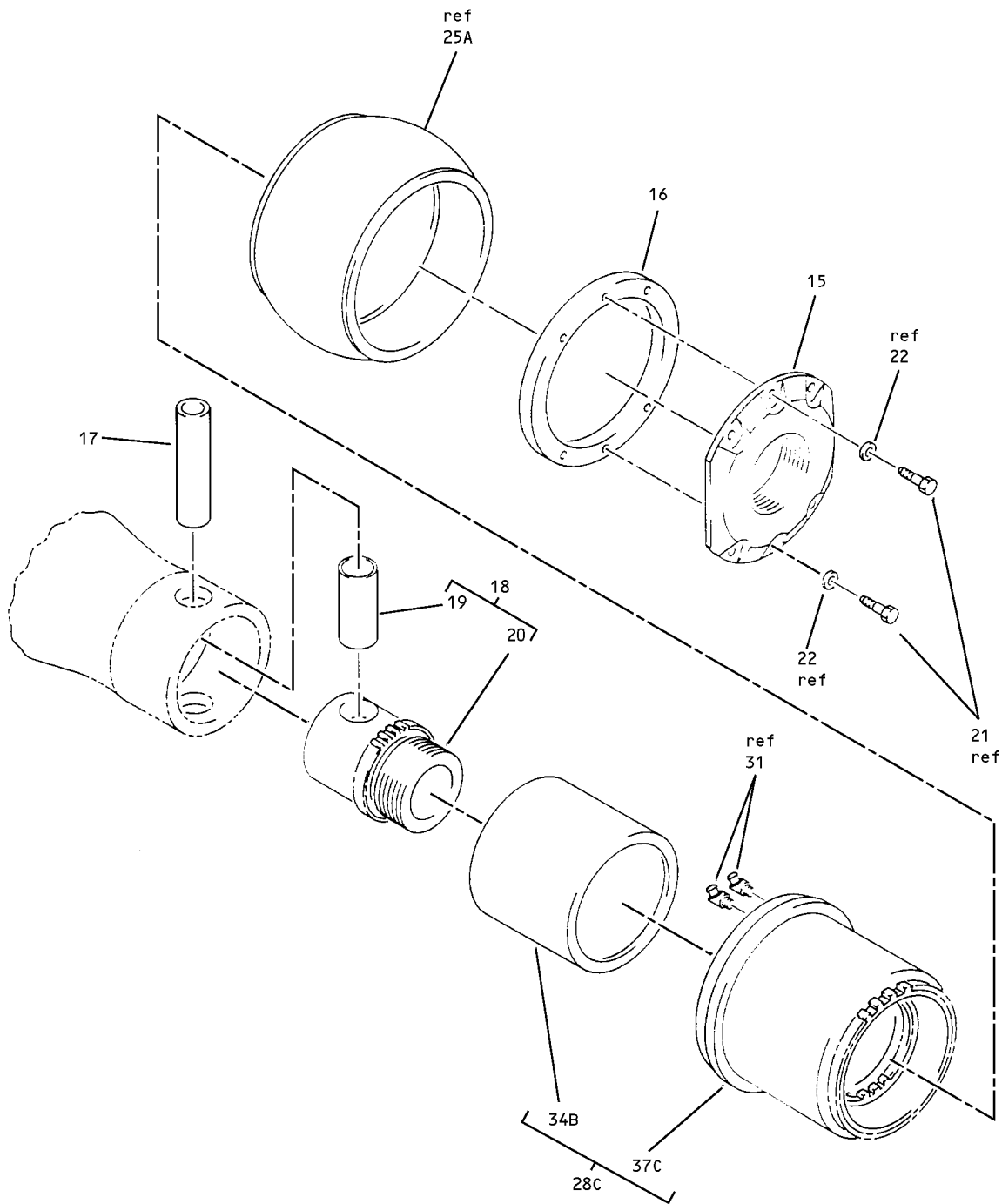


Main Landing Gear Buildup (Right Hand)  
Figure 18 (Sheet 15)

**32-11-20**

ILLUSTRATED PARTS LIST  
01.1 Page 1082Q  
Nov 01/05





(AB)

Main Landing Gear Buildup (Right Hand)  
Figure 18 (Sheet 16)

**32-11-20**

ILLUSTRATED PARTS LIST  
01.1 Page 1082R  
Nov 01/05



**BOEING**  
COMPONENT  
MAINTENANCE MANUAL

FIG. & ITEM	PART NO.	AIRLINE PART NUMBER	NOMENCLATURE 1234567	EFF CODE	QTY PER ASSY
18-					
-1A	161T1000-154		BUILDUP ASSY-MLG (RH)	CA	RF
-1B	161T1000-156		BUILDUP ASSY-MLG (RH)	CB	RF
-1C	161T1000-158		BUILDUP ASSY-MLG (RH)	CC	RF
-1D	161T1000-164		BUILDUP ASSY-MLG (RH)	CD	RF
-1E	161T1000-166		BUILDUP ASSY-MLG (RH)	CE	RF
-1F	161T1000-178		BUILDUP ASSY-MLG (RH)	CF	RF
-1G	161T1000-186		BUILDUP ASSY-MLG (RH)	CG	RF
-1H	161T1000-190		BUILDUP ASSY-MLG (RH)	CH	RF
-1J	161T1000-208		BUILDUP ASSY-MLG (RH)	CJ	RF
-1K	161T1000-210		BUILDUP ASSY-MLG (RH)	CK	RF
-1L	161T1000-212		BUILDUP ASSY-MLG (RH)	CL	RF
-1M	161T1000-214		BUILDUP ASSY-MLG (RH)	CM	RF
-1N	161T1000-216		BUILDUP ASSY-MLG (RH)	CN	RF
-1P	161T1000-218		BUILDUP ASSY-MLG (RH)	CP	RF
-1Q	161T1000-220		BUILDUP ASSY-MLG (RH)	CQ	RF
-1R	161T1000-250		BUILDUP ASSY-MLG (RH)	CR	RF
-1S	161T1000-254		BUILDUP ASSY-MLG (RH)	CS	RF
-1T	161T1000-256		BUILDUP ASSY-MLG (RH)	CT	RF
-1U	161T1000-292		BUILDUP ASSY-MLG (RH)	CU	RF
-1V	161T1000-294		BUILDUP ASSY-MLG (RH)	CV	RF
-1W	161T1000-304		BUILDUP ASSY-MLG (RH)	CW	RF
-1X	161T1000-328		BUILDUP ASSY-MLG (RH)	CX	RF
-1Y	161T1000-334		BUILDUP ASSY-MLG (RH)	CY	RF
-1Z	161T1000-336		BUILDUP ASSY-MLG (RH)	CZ	RF
-2	161T1000-338		BUILDUP ASSY-MLG (RH)	DA	RF
-2A	161T1000-342		BUILDUP ASSY-MLG (RH)	DB	RF
-2B	161T1000-348		BUILDUP ASSY-MLG (RH)	DC	RF
-2C	161T1000-382		BUILDUP ASSY-MLG (RH)	DD	RF
-2D	161T1000-386		BUILDUP ASSY-MLG (RH)	DE	RF
-2E	161T1000-392		BUILDUP ASSY-MLG (RH)	DF	RF
-2F	161T1000-398		BUILDUP ASSY-MLG (RH)	DG	RF
-2G	161T1000-400		BUILDUP ASSY-MLG (RH)	DH	RF
-2H	161T1000-602		BUILDUP ASSY-MLG (RH)	DJ	RF
-2J	161T1000-606		BUILDUP ASSY-MLG (RH)	DK	RF
-2K	161T1000-614		BUILDUP ASSY-MLG (RH)	DL	RF
-2L	161T1000-622		BUILDUP ASSY-MLG (RH)	DM	RF
-2M	161T1000-624		BUILDUP ASSY-MLG (RH)	DN	RF
-2N	161T1000-626		BUILDUP ASSY-MLG (RH)	DP	RF
-2P	161T1000-630		BUILDUP ASSY-MLG (RH)	DQ	RF
-2Q	161T1000-632		BUILDUP ASSY-MLG (RH)	DR	RF
-2R	161T1000-634		BUILDUP ASSY-MLG (RH)	DS	RF
-2S	161T1000-644		BUILDUP ASSY-MLG (RH)	DT	RF
-2T	161T1000-654		BUILDUP ASSY-MLG (RH)	DU	RF
-2U	161T1000-656		BUILDUP ASSY-MLG (RH)	DV	RF
-2V	161T1000-660		BUILDUP ASSY-MLG (RH)	DW	RF

**32-11-20**

ILLUSTRATED PARTS LIST  
01.1 Page 1082S  
Nov 01/05

FIG. & ITEM	PART NO.	AIRLINE PART NUMBER	NOMENCLATURE 1234567	EFF CODE	QTY PER ASSY
18-					
-2W	161T1000-662		BUILDUP ASSY-MLG (RH)	DX	RF
-2X	161T1000-664		BUILDUP ASSY-MLG (RH)	DY	RF
-2Y	161T1000-666		BUILDUP ASSY-MLG (RH)	DZ	RF
-2Z	161T1000-672		BUILDUP ASSY-MLG (RH)	EA	RF
-3	161T1000-684		BUILDUP ASSY-MLG (RH)	EB	RF
-3A	161T1000-686		BUILDUP ASSY-MLG (RH)	EQ	RF
-3B	161T1000-688		BUILDUP ASSY-MLG (RH)	ER	RF
-3C	161T1000-690		BUILDUP ASSY-MLG (RH)	ES	RF
-3D	161T1000-692		BUILDUP ASSY-MLG (RH)	ET	RF
-3E	161T1000-694		BUILDUP ASSY-MLG (RH)	EU	RF
-3F	161T1000-696		BUILDUP ASSY-MLG (RH)	EV	RF
-3G	161T1000-698		BUILDUP ASSY-MLG (RH)	EW	RF
-3H	161T1000-700		BUILDUP ASSY-MLG (RH)	EX	RF
-3J	161T1000-702		BUILDUP ASSY-MLG (RH)	EY	RF
-3K	161T1000-704		BUILDUP ASSY-MLG (RH)	EZ	RF
-3L	161T1000-706		BUILDUP ASSY-MLG (RH)	EC	RF
-3M	161T1000-708		BUILDUP ASSY-MLG (RH)	ED	RF
-3N	161T1000-710		BUILDUP ASSY-MLG (RH)	EE	RF
-3P	161T1000-712		BUILDUP ASSY-MLG (RH)	EF	RF
-3Q	161T1000-714		DELETED		
-3R	161T1000-716		BUILDUP ASSY-MLG (RH)	EH	RF
-3S	161T1000-718		DELETED		
-3T	161T1000-720		BUILDUP ASSY-MLG (RH)	EK	RF
-3U	161T1000-722		BUILDUP ASSY-MLG (RH)	EL	RF
-3V	161T1000-724		BUILDUP ASSY-MLG (RH)	EM	RF
-3W	161T1000-726		DELETED		
-3X	161T1000-758		BUILDUP ASSY-MLG (RH)	FH	RF
-3Y	161T1000-782		BUILDUP ASSY-MLG (RH)	FJ	RF
-3Z	161T1000-790		BUILDUP ASSY-MLG (RH)	FK	RF

# 32-11-20

 ILLUSTRATED PARTS LIST  
 01.1 Page 1082T  
 Nov 01/05

FIG. & ITEM	PART NO.	AIRLINE PART NUMBER	NOMENCLATURE 1234567	EFF CODE	QTY PER ASSY
18-					
-4	161T1000-798		DELETED		
-4A	161T1000-800		DELETED		
-4B	161T1000-802		DELETED		
-4C	161T1000-804		BUILDUP ASSY-MLG (RH)	FP	RF
-4D	161T1000-806		DELETED		
-4E	161T1000-808		DELETED		
-4F	161T1000-762		BUILDUP ASSY-MLG (RH)	FX	RF
-4G	161T1000-766		BUILDUP ASSY-MLG (RH)	FY	RF
-4H	161T1000-768		BUILDUP ASSY-MLG (RH)	FZ	RF
-4J	161T1000-794		BUILDUP ASSY-MLG (RH)	GA	RF
-4K	161T1000-792		BUILDUP ASSY-MLG (RH)	GB	RF
-4L	161T1000-784		BUILDUP ASSY-MLG (RH)	GL	RF
-4M	161T1000-786		BUILDUP ASSY-MLG (RH)	GG	RF
-4N	161T1000-820		DELETED		
-4P	161T1000-822		DELETED		
-4Q	161T1000-824		DELETED		
-4R	161T1000-832		BUILDUP ASSY-MLG (RH)	GF	RF
-4S	161T1000-826		BUILDUP ASSY-MLG (RH)	GH	RF
-4T	161T1000-828		BUILDUP ASSY-MLG (RH)	GJ	RF
-4U	161T1000-830		DELETED		
-4V	161T1000-836		DELETED		
-4W	161T1000-838		BUILDUP ASSY-MLG (RH)	HD	RF
-4X	161T1000-840		DELETED		
-4Y	161T1000-842		BUILDUP ASSY-MLG (RH)	HF	RF
-4Z	161T1000-844		BUILDUP ASSY-MLG (RH)	HG	RF
-5	161T1000-846		DELETED		
-5A	161T1000-848		DELETED		
-5B	161T1000-850		BUILDUP ASSY-MLG (RH)	HK	RF
-5C	161T1000-852		BUILDUP ASSY-MLG (RH)	HL	RF
-5D	161T1000-854		DELETED		

32-11-20

FIG. & ITEM	PART NO.	AIRLINE PART NUMBER	NOMENCLATURE 1234567	EFF CODE	QTY PER ASSY
18-			DELETED		
-5E	161T1000-856		BUILDUP ASSY-MLG (RH)	EN	RF
-5F	161T1000-858		BUILDUP ASSY-MLG (RH)	EP	RF
-5G	161T1000-860		BUILDUP ASSY-MLG (RH)	HV	RF
R -5H	161T1000-862		BUILDUP ASSY-MLG (RH)	HW	RF
R -5J	161T1000-864		BUILDUP ASSY-MLG (RH)	HX	RF
R -5K	161T1000-866		BUILDUP ASSY-MLG (RH)	JK	RF
R -5L	161T1000-728		BUILDUP ASSY-MLG (RH)	JL	RF
R -5M	161T1000-730		BUILDUP ASSY-MLG (RH)	JM	RF
R -5N	161T1000-732		BUILDUP ASSY-MLG (RH)	JN	RF
R -5P	161T1000-734		BUILDUP ASSY-MLG (RH)	JP	RF
R -5Q	161T1000-736		BUILDUP ASSY-MLG (RH)	JQ	RF
R -5R	161T1000-738		BUILDUP ASSY-MLG (RH)	JR	RF
R -5S	161T1000-740		BUILDUP ASSY-MLG (RH)	JS	RF
R -5T	161T1000-742		BUILDUP ASSY-MLG (RH)	JT	RF
R -5U	161T1000-744		BUILDUP ASSY-MLG (RH)	JU	RF
R -5V	161T1000-746		BUILDUP ASSY-MLG (RH)	JV	RF
R -5W	161T1000-748		BUILDUP ASSY-MLG (RH)	JV	RF
15	161T1327-1		.NUT	EN,EP ,FK,F P,GA, GB,G F-GJ GL,HD ,HF, HG,HK ,HL,H V-HX	1
16	161T1325-1		.WASHER	EN,EP ,FK,F P,GA, GB,G F-GJ GL,HD ,HF, HG,HK ,HL,H V-HX	1

# 32-11-20

FIG. & ITEM	PART NO.	AIRLINE PART NUMBER	NOMENCLATURE 1234567	EFF CODE	QTY PER ASSY
18-17	161T1329-1		.PIN-SHEAR	EN,EP ,FK,F P,GA, GB,G F-GJ GL,HD ,HF, HG,HK ,HL,H V-HX	1
18	161T1326-1		.PIN ASSY	FK,FP ,GA, GB,G F-GJ, GL	1
-18A	161T1326-3		.PIN ASSY	EN,EP ,HD, HF,HG ,HK,H L HV-HX	1
19	161T1330-1		..BUSHING	FK,FP ,GA, GB,G F-GJ, GL	1
-19A	161T1330-3		..BUSHING	EN,EP ,HD, HF,HG ,HK,H L HV-HX	1
20	161T1326-2		..PIN- (LIFE LIMITED PART)	FK,FP ,GA, GB,G F-GJ, GL	1
-20A	161T1326-4		..PIN- (LIFE LIMITED PART)	EN,EP ,HD, HF,HG ,HK,H L HV-HX	1

32-11-20

FIG. & ITEM	PART NO.	AIRLINE PART NUMBER	NOMENCLATURE 1234567	EFF CODE	QTY PER ASSY
18-21	NAS6704HU4		.BOLT	CA-EF ,EH,E M,EN, EP,E Q-EZ FJ,FK ,FP,F X-GB, GF-GJ ,GL HD,HF ,HG,H K,HL, HV-HX JK-JV	2
22	AN960-416		.WASHER	CA-EF ,EM,E Q-EZ	2
-22A	NAS1149F0463P		.WASHER	EH,EK ,EN,E P,FJ, FP,F X-GB GF-GJ ,GL, HD,HF ,HG,H K,HL HV-HX ,JK-J V	2

# 32-11-20

 ILLUSTRATED PARTS LIST  
 01.1 Page 1082X  
 Nov 01/05

FIG. & ITEM	PART NO.	AIRLINE PART NUMBER	NOMENCLATURE 1234567	EFF CODE	QTY PER ASSY
18-23A	161T1306-2		.BOLT-RETAINING	CA-EF ,JK	1
-23B	161T1306-4		.BOLT-RETAINING (REWORK) (OPT ITEM 23C)	EK,EM ,FJ,F X-FZ, JL,JM JP-JR ,JT,J U	1
-23C	161T1306-5		.BOLT-RETAINING (OPT ITEM 23B)	EK,EM ,FJ,F X-FZ, JL,JM JP-JR ,JT,J U	1
R -23D	161T1306-5		.BOLT-RETAINING	JN,JS ,JV	1
24	161T1305-2		.RING-RETAINING	CA-EF ,EH,E K-EM, EQ-EZ ,FJ FX-FZ ,JK-J V	1
25A	161T1301-1		.RACE ASSY-FWD TRUN BRG INNER	CA-EF ,EH,E K-EZ, FJ,FK ,FP FX-GB ,GF-G J,GL, HD,HF ,HG HK,HL ,HV-H X,J K-JV	1

32-11-20

ILLUSTRATED PARTS LIST  
01.1 Page 1082Y  
Nov 01/05



FIG. & ITEM	PART NO.	AIRLINE PART NUMBER	NOMENCLATURE 1234567	EFF CODE	QTY PER ASSY
18-26A	161T1302-1		..BUSHING	CA-EF ,EH,E K-EZ, FJ,FK ,FP FX-GB ,GF-G J,GL, HD,HF ,HG HK,HL ,HV-H X,J K-JV	2
27A	161T1301-2		..RACE	CA-EF ,EH,E K-EZ, FJ,FK ,FP FZ-GB ,GF-G J,GL, HD,HF ,HG HK,HL ,HV-H X,J K-JV	1
28	161T1303-5		.HOUSING ASSY-FWD TRUN BRG	CA-CV ,CX- DC,DG ,DH	1

# 32-11-20

 ILLUSTRATED PARTS LIST  
 01.1 Page 1082Z  
 Nov 01/05

FIG. & ITEM	PART NO.	AIRLINE PART NUMBER	NOMENCLATURE 1234567	EFF CODE	QTY PER ASSY
18- -28A	161T1303-7		.HOUSING ASSY-FWD TRUN BRG (SERIALIZED)	CW,D D-DF, DJ-EC ,EE,E F,EQ JK	1
-28B	161T1303-11		.HOUSING ASSY-FWD TRUN BRG (SERIALIZED)	EH,E K-EM, EV,EW ,EZ,F J FX-FZ ,JL-J V	1
28C	161T1323-1		.HOUSING ASSY-FWD TRUN BRG	FK,FP ,GA, GB,G F-GJ, GL	1
-28D	161T1323-3		.HOUSING ASSY-FWD TRUN BRG	EN,EP ,HD, HF,HG ,HK,H L HV-HX	1
31	1992B		..FITTING-LUBE (VOFKM1)	CA-EC ,EE,E F,EH, EK-EM ,EQ EV,EW ,EZ,F J,FK, FP,F X-GB GF-GJ ,GL,J K-JV	2
-31A	1992B1		..FITTING-LUBE (VOFKM1)	EN,EP ,HD, HF,HG ,HK,H L HV-HX	2

32-11-20

FIG. & ITEM	PART NO.	AIRLINE PART NUMBER	NOMENCLATURE 1234567	EFF CODE	QTY PER ASSY
18-34	161T1304-3		..SLEEVE	CA-EC ,EE,E F,EQ, JK	1
-34A	161T1304-4		..SLEEVE- (OPT ITEM 34D)	EH,E K-EM, EV,EW ,EZ,F J FX-FZ ,JL-J V	1
34B	161T1324-1		..SLEEVE	FK,FP ,GA, GB,G F-GJ, GL	1
-34C	161T1324-2		..SLEEVE	EN,EP ,HD, HF,HG ,HK,H L HV-HX	1
R -34D	161T1304-3		..SLEEVE- (OPT ITEM 34A)	EH,E K-EM, EV,EW ,EZ,F J FX-FZ ,JL-J V	1
37	161T1303-6		..HOUSING	CA-CV ,CX- DC,DG ,DH	1
-37A	161T1303-8		..HOUSING-(SERIALIZED)	CW,D D-DF, DJ-EC ,EE,E F,EQ JK	1

# 32-11-20

 ILLUSTRATED PARTS LIST  
 01.1 Page 1084  
 Nov 01/05

FIG. & ITEM	PART NO.	AIRLINE PART NUMBER	NOMENCLATURE 1234567	EFF CODE	QTY PER ASSY
18- -37B	161T1303-12		..HOUSING--(SERIALIZED)	EH,E K-EM, EV,EW ,EZ,F J FX-FZ ,JL-J V	1
37C	161T1323-2		..HOUSING	FK,FP ,GA, GB,G F-GJ, GL	1
-37D	161T1323-4		..HOUSING	EN,EP ,HD, HF,HG ,HK,H L HV-HX	1
40	161T1174-1		.FITTING ASSY-DOWNLOCK ACTR	CA-EF ,EH,E K-EZ, FJ,FK ,FP FX-GB ,GF-G J,GL, HD,HF ,HG HK,HL ,HV-H X,J K-JV	1

32-11-20

FIG. & ITEM	PART NO.	AIRLINE PART NUMBER	NOMENCLATURE 1234567	EFF CODE	QTY PER ASSY
18-43	161T1174-2		.FITTING ASSY-DOWNLOCK ACTR	CA-EF ,EH,E K-EZ, FJ,FK ,FP FX-GB ,GF-G J,GL, HD,HF ,HG HK,HL ,HV-H X,J K-JV	1
46	NAS6712-43		ATTACHING PARTS .BOLT	CA-EF ,EH,E K-EZ, FJ,FK ,FP FX-GB ,GF-G J,GL, HD,HF ,HG HK,HL ,HV-H X,J K-JV	1

# 32-11-20

 ILLUSTRATED PARTS LIST  
 01.1 Page 1084B  
 Nov 01/05

FIG. & ITEM	PART NO.	AIRLINE PART NUMBER	NOMENCLATURE	EFF CODE	QTY PER ASSY
18-49	NAS6712-47		.BOLT	CA-EF ,EH,E K-EZ, FJ,FK ,FP FX-GB ,GF-G J,GL, HD,HF ,HG HK,HL ,HV-H X,J K-JV	1
52	AN960C1216		.WASHER	CA-EF ,EM,E Q-EZ, JK-JV	2
-52A -52B	NAS1149C1490R NAS1149C1290R		DELETED .WASHER	EH,EK ,EL,E N,EP, FJ,FK ,FP FX-GB ,GF-G J,GL, HD,HF ,HG HK,HL ,HV-H X	2

32-11-20

FIG. & ITEM	PART NO.	AIRLINE PART NUMBER	NOMENCLATURE 1234567	EFF CODE	QTY PER ASSY
18-55	H10-12BAC		.NUT- (V15653) (SPEC BACN10JC12) (OPT RMLH9074-12 (V72962)) (OPT 48FT1216 (V56878)) (OPT BMN4122AD3-12 (V97928))	CA-EF ,EM,E Q-EZ, JK-JV	2
-55A	H51650-12BAC		.NUT- (V15653) (SPEC BACN10JC12CD) (OPT 102LH9074-12 (V72962)) (OPT 69235-1216CD (V92215)) (OPT BMN4122CPD8-12 (V97928))	EH,EK ,EL,E N,EP, FJ,FK ,FP FX-GB ,GF-G J,GL, HD,HF ,HG HK,HL ,HV-H X	2
58	NAS6714-43		.BOLT	CA-EF ,EH,E K-EZ, FJ,FK ,FP FX-GB ,GF-G J,GL, HD,HF ,HG HK,HL ,HV-H X,J K-JV	1

# 32-11-20

 ILLUSTRATED PARTS LIST  
 01.1 Page 1084D  
 Nov 01/05

FIG. & ITEM	PART NO.	AIRLINE PART NUMBER	NOMENCLATURE 1234567	EFF CODE	QTY PER ASSY
18-61	NAS6714-51		.BOLT	CA-EF ,EH,E K-EZ, FJ,FK ,FP FX-GB ,GF-G J,GL, HD,HF ,HG HK,HL ,HV-H X,J K-JV	1
64	AN960C1416		.WASHER	CA-EF ,EM,E Q-EZ, JK-JV	2
-64A	NAS1149C1490R		.WASHER	EH,EK ,EL,E N,EP, FJ,FK ,FP FX-GB ,GF-G J,GL, HD,HF ,HG HK,HL ,HV-H X	2

**32-11-20**

ILLUSTRATED PARTS LIST  
01.1 Page 1084E  
Nov 01/05



FIG. & ITEM	PART NO.	AIRLINE PART NUMBER	NOMENCLATURE 1234567	EFF CODE	QTY PER ASSY
18-67	H10-14BAC		.NUT- (V15653) (SPEC BACN10JC14) (OPT BMN4122A14 (V85495)) (OPT RMLH9074-14 (V72962)) (OPT 48FT1414 (V56878)) (OPT BMN4122AD3-14 (V97928))	CA-EF ,EM,E Q-EZ, JK-JV	2
-67A	H51650-14BAC		.NUT- (V15653) (SPEC BACN10JC14CD) (OPT 102LH9074-14 (V72962)) (OPT 69235-1414CD (V92215)) (OPT BMN4122CPD8-14 (V97928))	EH,EK ,EL,E N,EP, FJ,FK ,FP FX-GB ,GF-G J,GL, HD,HF ,HG HK,HL ,HV-H X	2
70	161T6041-1		-----*----- .BUSHING	CA-EF ,EH,E K-EZ, FJ,FK ,FP FX-GB ,GF-G J,GL, HD,HF ,HG HK,HL ,HV-H X,J K-JV	2

# 32-11-20

 ILLUSTRATED PARTS LIST  
 01.1 Page 1084F  
 Nov 01/05

FIG. & ITEM	PART NO.	AIRLINE PART NUMBER	NOMENCLATURE 1234567	EFF CODE	QTY PER ASSY
18-73	161T1210-23		..BUSHING	CA-EF ,EH,E K-EZ, FJ,FK ,FP FX-GB ,GF-G J,GL, HD,HF ,HG HK,HL ,HV-H X,J K-JV	2
76	161T1210-24		..BUSHING	CA-EF ,EH,E K-EZ, FJ,FK ,FP FX-GB ,GF-G J,GL, HD,HF ,HG HK,HL ,HV-H X,J K-JV	2
79	161T1174-3		..FITTING- (USED ON ITEM 40)	CA-EF ,EH,E K-EZ, FJ,FK ,FP FX-GB ,GF-G J,GL, HD,HF ,HG HK,HL ,HV-H X,J K-JV	1

**32-11-20**

FIG. & ITEM	PART NO.	AIRLINE PART NUMBER	NOMENCLATURE 1234567	EFF CODE	QTY PER ASSY
18-82	161T1174-4		..FITTING- (USED ON ITEM 43)	CA-EF ,EH,E K-EZ, FJ,FK ,FP FX-GB ,GF-G J,GL, HD,HF ,HG HK,HL ,HV-H X,J K-JV	1
-88	113T8222-2		.FITTING ASSY-DOOR	CA-EF ,EH,E K-EZ, FJ,FK ,FP FX-GB ,GF-G J,GL, HD,HF ,HG HK,HL ,HV-H X,J K-JV	1
91	BACB28AM09B020A		..BUSHING	CA-EF ,EH,E K-EZ, FJ,FK ,FP FX-GB ,GF-G J,GL, HD,HF ,HG HK,HL ,HV-H X,J K-JV	1

# 32-11-20

 ILLUSTRATED PARTS LIST  
 01.1 Page 1084H  
 Nov 01/05

FIG. & ITEM	PART NO.	AIRLINE PART NUMBER	NOMENCLATURE 1234567	EFF CODE	QTY PER ASSY
18-93	BACB28AP06P020		..BUSHING	CA-EF ,EH,E K-EZ, FJ,FK ,FP FX-GB ,GF-G J,GL, HD,HF ,HG HK,HL ,HV-H X,J K-JV	1
-99	113T8222-4		..FITTING	CA-EF ,EH,E K-EZ, FJ,FK ,FP FX-GB ,GF-G J,GL, HD,HF ,HG HK,HL ,HV-H X,J K-JV	1
102	161T1307-5		.BOLT ASSY-LOCK ACTR SPRT	CA-EF ,EH,E K-EZ, FJ,FK ,FP FX-GB ,GF-G J,GL, HD,HF ,HG HK,HL ,HV-H X,J K-JV	1

32-11-20

FIG. & ITEM	PART NO.	AIRLINE PART NUMBER	NOMENCLATURE 1234567	EFF CODE	QTY PER ASSY
18-105	BACB28X6M025		..BUSHING	CA-EF ,EH,E K-EZ, FJ,FK ,FP FX-GB ,GF-G J,GL, HD,HF ,HG HK,HL ,HV-H X,J K-JV	1
108	BACB28X9M025		..BUSHING	CA-EF ,EH,E K-EZ, FJ,FK ,FP FX-GB ,GF-G J,GL, HD,HF ,HG HK,HL ,HV-H X,J K-JV	1
111	161T1307-6		..BOLT	CA-EF ,EH,E K-EZ, FJ,FK ,FP FX-GB ,GF-G J,GL, HD,HF ,HG HK,HL ,HV-H X,J K-JV	1

# 32-11-20

 ILLUSTRATED PARTS LIST  
 01.1 Page 1084J  
 Nov 01/05

FIG. & ITEM	PART NO.	AIRLINE PART NUMBER	NOMENCLATURE 1234567	EFF CODE	QTY PER ASSY
18- -113	AN960C1616		.WASHER- (OPT ITEM 113A)	CA-EF ,EM,E Q-EZ, JK-JV	1
113A	AN960-1616		.WASHER- (PREF) (OPT ITEM 113)	CA-EF ,EM,E Q-EZ, JK-JV	1
-113B	NAS1149C1690R		.WASHER	EH,EK ,EL,E N,EP, FJ,FK ,FP FX-GB ,GF-G J,GL, HD,HF ,HG HK,HL ,HV-H X	1
-116	AN960C1616L		.WASHER- (OPT ITEM 116L)	CA-EF ,EH,E K-EM, EQ-EZ JK-JV	AR
116L	AN960-1616L		.WASHER- (PREF) (OPT ITEM 116)	CA-EF ,EH,E K-EM, EQ-EZ JK-JV	AR

**32-11-20**

ILLUSTRATED PARTS LIST  
01.1 Page 1084K  
Nov 01/05

FIG. & ITEM	PART NO.	AIRLINE PART NUMBER	NOMENCLATURE 1234567	EFF CODE	QTY PER ASSY
18-119	RMTE9868-16		.NUT- (V98403) (OPT ITEM 119B)	CA-EF ,EH,E K-EZ, FJ,FK ,FP FX-GB ,GF-G J,GL, HD,HF ,HG HK,HL ,HV-H X,J K-JV	1
-119B	56287M1612		.NUT- (V56878) (OPT ITEM 119)	CA-EF ,EH,E K-EZ, FJ,FK ,FP FX-GB ,GF-G J,GL, HD,HF ,HG HK,HL ,HV-H X,J K-JV	1
-125	287T6111-6		.BRACKET-ELEC	CA-EF ,EH,E K-EZ, FJ,FK ,FP FX-GB ,GF-G J,GL, HD,HF ,HG HK,HL ,HV-H X,J K-JV	1

# 32-11-20

 ILLUSTRATED PARTS LIST  
 01.1 Page 1084L  
 Nov 01/05

FIG. & ITEM	PART NO.	AIRLINE PART NUMBER	NOMENCLATURE 1234567	EFF CODE	QTY PER ASSY
18- -131	287T6111-8		.BRACKET-ELEC	CA-EF ,EH,E K-EZ, FJ,FK ,FP FX-GB ,GF-G J,GL, HD,HF ,HG HK,HL ,HV-H X,J K-JV	1
134	MS24665-359		.PIN-COTTER	CA-EF ,EM,E Q-EZ, JK-JV	1
-134A	BACP18BC04C14P		.PIN-COTTER	EH,EK ,EL,E N,EP, FJ,FK ,FP FX-GB ,GF-G J,GL, HD,HF ,HG HK,HL ,HV-H X	1

**32-11-20**

ILLUSTRATED PARTS LIST  
01.1 Page 1084M  
Nov 01/05



FIG. & ITEM	PART NO.	AIRLINE PART NUMBER	NOMENCLATURE 1234567	EFF CODE	QTY PER ASSY
18-137	MS24665-360		.PIN-COTTER	CA-EF ,EM,E Q-EZ, JK-JV	1
-137A	BACP18BC04C16P		.PIN-COTTER	EH,EK ,EL,E N,EP, FJ,FK ,FP FX-GB ,GF-G J,GL, HD,HF ,HG HK,HL ,HV-H X	1
-143	161T1172-2		.FITTING ASSY-DRAG STRUT DOWNLOCK	CA-CV ,DA, DB	1
-143B	161T1172-6		.FITTING ASSY-DRAG STRUT DOWNLOCK (SERIALIZED)	CW,D D-DF, DH-EF ,EH,E K-EZ FJ,FK ,FP,F X-GB, GF-GJ ,GL HD,HF ,HG,H K,HL, HV-HX JK-JV	1
-143C	161T1172-2		.FITTING ASSY-DRAG STRUT DOWNLOCK (SERIALIZED) (OPT ITEM 143D)	CX-CZ ,DC,D G	1
-143D	161T1172-6		.FITTING ASSY-DRAG STRUT DOWNLOCK (SERIALIZED) (OPT ITEM 143C) ATTACHING PARTS	CX-CZ ,DC,D G	1

# 32-11-20

 ILLUSTRATED PARTS LIST  
 01.1 Page 1084N  
 Nov 01/05

FIG. & ITEM	PART NO.	AIRLINE PART NUMBER	NOMENCLATURE	EFF CODE	QTY PER ASSY
18-146	NAS6714D54		.BOLT	CA-EF ,EH,E K-EZ, FJ,FK ,FP FX-GB ,GF-G J,GL, HD,HF ,HG HK,HL ,HV-H X,J K-JV	1
149	AN960C1416		.WASHER	CA-EF ,EM,E Q-EZ, FH,J K-JV	1
-149A	NAS1149C1490R		.WASHER	EH,EK ,EL,E N,EP, FJ,FK ,FP FX-GB ,GF-G J,GL, HD,HF ,HG HK,HL ,HV-H X	1

32-11-20

FIG. & ITEM	PART NO.	AIRLINE PART NUMBER	NOMENCLATURE 1234567	EFF CODE	QTY PER ASSY
18-152	H10-14BAC		.NUT- (V15653) (SPEC BACN10JC14) (OPT BMN4122A14 (V85495)) (OPT RMLH9074-14 (V72962)) (OPT 48FT1414 (V56878)) (OPT BMN4122AD3-14 (V97928))	CA-EF ,EM,E Q-EZ, JK-JV	1
-152A	H51650-14BAC		.NUT- (V15653) (SPEC BACN10JC14CD) (OPT 102LH9074-14 (V72962)) (OPT 69235-1414CD (V92215)) (OPT BMN4122CPD8-14 (V97928))	EH-EL ,EN,E P,FJ, FK,FP FX-GB ,GF-G J,GL, HD,HF HG,HK ,HL,H V-HX	1
155	161T1307-4		.BOLT	CA-EF ,EH,E K-EZ, FJ,FK ,FP FX-GB ,GF-G J,GL, HD,HF ,HG HK,HL ,HV-H X,J K-JV	1

# 32-11-20

 ILLUSTRATED PARTS LIST  
 01.1 Page 1084P  
 Nov 01/05

FIG. & ITEM	PART NO.	AIRLINE PART NUMBER	NOMENCLATURE 1234567	EFF CODE	QTY PER ASSY
18- -158	AN960C1616		.WASHER- (OPT ITEM 158A)	CA-EF ,EM,E Q-EZ, FX-FZ JK-JV	AR
158A	AN960-1616		.WASHER- (PREF) (OPT ITEM 158)	CA-EF ,EM,E Q-EZ, JK-JV	AR
-158B	NAS1149C1690R		.WASHER	EH,EK ,EL,E N,EP, FJ,FK ,FP FX-GB ,GF-G J,GL, HD,HF ,HG HK,HL ,HV-H X	AR
-161	AN960C1616L		.WASHER- (OPT ITEM 161A)	CA-EF ,EH,E K-EM, EQ-EZ JK-JV	AR
161A	AN960-1616L		.WASHER- (PREF) (OPT ITEM 161)	CA-EF ,EH,E K-EM, EQ-EZ JK-JV	AR
164	RMTE9868-16		.NUT- (V98403) (OPT ITEM 164B)	CA-EF ,EH,E K-EZ, FJ,FK ,FP FX-GB ,GF-G J,GL, HD,HF HG,HK ,HL,H V-HX, JK-JV	1

**32-11-20**

ILLUSTRATED PARTS LIST  
01.1 Page 1084Q  
Nov 01/05

FIG. & ITEM	PART NO.	AIRLINE PART NUMBER	NOMENCLATURE 1234567	EFF CODE	QTY PER ASSY
18- -164B	56287M1612		.NUT- (V56878) (OPT ITEM 164)	CA-EF ,EH,E K-EZ, FJ,FK ,FP FX-GB ,GF-G J,GL, HD,HF HG,HK ,HL,H V-HX, JK-JV	1
167	1728B		-----*----- ..FITTING-LUBE (VOFKM1)	CA-EF ,EH,E K-EZ, FJ,FK ,FP FX-GB ,GF-G J,GL, HD,HF HG,HK ,HL,H V-HX, JK-JV	1
170	161T1210-5		..BUSHING	CA-EF ,EH,E K-EZ, FJ,FK ,FP FX-GB ,GF-G J,GL, HD,HF HG,HK ,HL,H V-HX, JK-JV	2

# 32-11-20

 ILLUSTRATED PARTS LIST  
 01.1 Page 1084R  
 Nov 01/05

FIG. & ITEM	PART NO.	AIRLINE PART NUMBER	NOMENCLATURE 1234567	EFF CODE	QTY PER ASSY
18-173	161T1210-18		..BUSHING	CA-EF ,EH,E K-EZ, FJ,FK ,FP FX-GB ,GF-G J,GL, HD,HF HG,HK ,HL,H V-HX, JK-JV	2
176	161T1210-29		..BUSHING	CA-EF ,EH,E K-EZ, FJ,FK ,FP FX-GB ,GF-G J,GL, HD,HF HG,HK ,HL,H V-HX, JK-JV	1
179	161T1210-30		..BUSHING	CA-EF ,EH,E K-EZ, FJ,FK ,FP FX-GB ,GF-G J,GL, HD,HF HG,HK ,HL,H V-HX, JK-JV	1

32-11-20

FIG. & ITEM	PART NO.	AIRLINE PART NUMBER	NOMENCLATURE 1234567	EFF CODE	QTY PER ASSY
18- -185	161T1172-4		..FITTING- (USED ON ITEMS 143, 143C)	CA-CV ,CX- DC,DG	1
-185B	161T1172-8		..FITTING-(SERIALIZED) (USED ON ITEMS 143B, 143D)	CW-CZ ,DC-E F,EH, EK-EZ ,FJ FK,FP ,FX- GB,G F-GJ, GL,HD HF,HG ,HK,H L,H V-HX, JK-JV	1
188	MS24665-359		.PIN-COTTER	CA-EF ,EM,E Q-EZ, JK-JV	1
-188A	BACP18BC04C14P		.PIN-COTTER	EH,EK ,EL,E N,EP, FJ,FK ,FP FX-GB ,GF-G J,GL, HD,HF ,HG HK,HL ,HV-H X	1

# 32-11-20

 ILLUSTRATED PARTS LIST  
 01.1 Page 1084T  
 Nov 01/05

FIG. & ITEM	PART NO.	AIRLINE PART NUMBER	NOMENCLATURE 1234567	EFF CODE	QTY PER ASSY
18-191	MS24665-360		.PIN-COTTER	CA-EF ,EM,E Q-EZ, JK-JV	1
-191A	BACP18BC04C16P		.PIN-COTTER	EH,EK ,EL,E N,EP, FJ,FK ,FP FX-GB ,GF-G J,GL, HD,HF ,HG HK,HL ,HV-H X	1
-197	161T1173-2		.FITTING ASSY-SIDE STRUT DOWNLOCK	CA-CV ,DA, DB	1
-197B	161T1173-6		.FITTING ASSY-SIDE STRUT DOWNLOCK (SERIALIZED)	CW,D D-DF, DH-EF ,EH,E K-EZ FJ,FK ,FP,F X-GB, GF-GJ ,GL HD,HF ,HG,H K,HL, HV-HX JK-JV	1

**32-11-20**



FIG. & ITEM	PART NO.	AIRLINE PART NUMBER	NOMENCLATURE 1234567	EFF CODE	QTY PER ASSY
18- -197C	161T1173-2		.FITTING ASSY-SIDE STRUT DOWNLOCK (OPT ITEM 197D)	CX-CZ ,DC,D G	1
-197D	161T1173-6		.FITTING ASSY-SIDE STRUT DOWNLOCK (SERIALIZED) (OPT ITEM 197C)	CX-CZ ,DC,D G	1
200A	NAS6714D54		ATTACHING PARTS .BOLT	CA-EF ,EH,E K-EZ, FJ,FK ,FP FX-GB ,GF-G J,GL, HD,HF ,HG HK,HL ,HV-H X,J K-JV	1
203	AN960C1416		.WASHER	CA-EF ,EM,E Q-EZ, JK-JV	1
-203A	NAS1149C1490R		.WASHER	EH,EK ,EL,E N,EP, FJ,FK ,FP FX-GB ,GF-G J,GL, HD,HF ,HG HK,HL ,HV-H X	1

# 32-11-20

 ILLUSTRATED PARTS LIST  
 01.1 Page 1084V  
 Nov 01/05

FIG. & ITEM	PART NO.	AIRLINE PART NUMBER	NOMENCLATURE	EFF CODE	QTY PER ASSY
18-206	H10-14BAC		1234567 .NUT- (V15653) (SPEC BACN10JC14) (OPT BMN4122A14 (V85495)) (OPT RMLH9074-14 (V72962)) (OPT 48FT1414 (V56878)) (OPT BMN4122AD3-14 (V97928))	CA-EF ,EM,E Q-EZ, JK-JV	1
-206A	H51650-14BAC		.NUT- (V15653) (SPEC BACN10JC14CD) (OPT 102LH9074-14 (V72962)) (OPT 69235-1414CD (V92215)) (OPT BMN4122CPD8-14 (V97928))	EH,EK ,EL,E N,EP, FJ,FK ,FP FX-GB ,GF-G J,GL, HD,HF ,HG HK,HL ,HV-H X	1
209	1728B		-----*----- ..FITTING-LUBE (VOFKM1)	CA-EF ,EH,E K-EZ, FJ,FK ,FP FX-GB ,GF-G J,GL, HD,HF ,HG HK,HL ,HV-H X,J K-JV	1

32-11-20

FIG. & ITEM	PART NO.	AIRLINE PART NUMBER	NOMENCLATURE 1234567	EFF CODE	QTY PER ASSY
18-212	161T1210-5		..BUSHING	CA-EF ,EH,E K-EZ, FJ,FK ,FP FX-GB ,GF-G J,GL, HD,HF ,HG HK,HL ,HV-H X,J K-JV	2
215	161T1210-18		..BUSHING	CA-EF ,EH,E K-EZ, FJ,FK ,FP FX-GB ,GF-G J,GL, HD,HF ,HG HK,HL ,HV-H X,J K-JV	2
218	161T1210-44		..BUSHING	CA-EF ,EH,E K-EZ, FJ,FK ,FP FX-GB ,GF-G J,GL, HD,HF ,HG HK,HL ,HV-H X,J K-JV	1

# 32-11-20

 ILLUSTRATED PARTS LIST  
 01.1 Page 1084X  
 Nov 01/05

FIG. & ITEM	PART NO.	AIRLINE PART NUMBER	NOMENCLATURE 1234567	EFF CODE	QTY PER ASSY
18-221	161T1210-45		..BUSHING	CA-EF ,EH,E K-EZ, FJ,FK ,FP FX-GB ,GF-G J,GL, HD,HF ,HG HK,HL ,HV-H X,J K-JV	1
-227	161T1173-4		..FITTING- (USED ON ITEMS 197, 197C)	CA-CV ,CX- DC,DG	1
-227B	161T1173-8		..FITTING- (USED ON ITEMS 197B, 197D)	CW-CZ ,DC-E F,EH, EK-EZ ,FJ FK,FP ,FX- GB,G F-GJ, GL,HD HF,HG ,HK,H L,H V-HX, JK-JV	1

32-11-20

FIG. & ITEM	PART NO.	AIRLINE PART NUMBER	NOMENCLATURE 1234567	EFF CODE	QTY PER ASSY
18- -230	161T2008-1		.SPINDLE ASSY-SIDE STRUT LWR (OPT ITEM 230A)	CB,CC ,CF,C G,C J-CM, CT,CW CX,DB ,DL,D T,EA, EC,EH ,EQ ET-EY ,FJ,F X,GA, GG,GL ,HD HV,JK ,JL,J P,JR	1
-230A	161T2008-3		.SPINDLE ASSY-SIDE STRUT LWR (OPT ITEM 230)	CB,CC ,CF,C G,C J-CM, CT,CW CX,DB ,DL,D T,EA, EC,EH ,EQ ET-EY ,FJ,F X,GA, GG,GL ,HD HV,JK ,JL,J P,JR	1

# 32-11-20

 ILLUSTRATED PARTS LIST  
 01.1 Page 1084Z  
 Nov 01/05

FIG. & ITEM	PART NO.	AIRLINE PART NUMBER	NOMENCLATURE 1234567	EFF CODE	QTY PER ASSY
18- -230B	161T2008-5		.SPINDLE ASSY-SIDE STRUT LWR	CA,CD ,CE,C H,C N-CS, CU,CV CY-DA ,DC,D E-DK, DM-DS DU-DZ ,EB, ED-EF ,EK-E T,EV EW,EY ,FK,F P,FY, FZ,GB ,GF GH,GJ ,HF, HG,HK ,HL,H W,HX JM,JN ,JQ,J S-JV	1
233	NAS6604-12		ATTACHING PARTS .BOLT	CA-EF ,EH,E K-EZ, FJ,FK ,FP FX-GB ,GF-G J,GL, HD,HF ,HG HK,HL ,HV-H X,J K-JV	2

32-11-20

ILLUSTRATED PARTS LIST  
01.1 Page 1085  
Nov 01/05

FIG. & ITEM	PART NO.	AIRLINE PART NUMBER	NOMENCLATURE 1234567	EFF CODE	QTY PER ASSY
18-236	AN960-416		.WASHER	CA-EF ,EM,E Q-EZ, JK-JV	2
-236A	NAS1149F0463P		.WASHER	EH,EK ,EL,E N,EP, FJ,FK ,FP FX-GB ,GF-G J,GL, HD,HF ,HG HK,HL ,HV-H X	2
239	BRH10A4		.NUT- (V52828) (SPEC BACN10JC4) (OPT T6S428J (V11815)) (OPT 96-048 (V80539)) (OPT VN303A048 (V92215)) (OPT RMLH9075-4W (V72962)) (OPT NS202101-048 (V80539)) (OPT H10-4BAC (V15653))	CA-EF ,EM,E Q-EZ, JK-JV	2
-239A	BRH10C4D		.NUT- (V52828) (SPEC BACN10JC4CD) (OPT T6C428JCD (V11815)) (OPT NS202486-048 (V80539)) (OPT 102LH9075-4W (V72962)) (OPT H51650-4BAC (V15653))	EH,EK ,EL,E N,EP, FJ,FK ,FP FX-GB ,GF-G J,GL, HD,HF ,HG HK,HL ,HV-H X	2

# 32-11-20

 ILLUSTRATED PARTS LIST  
 01.1 Page 1086  
 Nov 01/05

FIG. & ITEM	PART NO.	AIRLINE PART NUMBER	NOMENCLATURE	EFF CODE	QTY PER ASSY
18-302	161T2015-1		.NUT	CA-EF ,EH,E K-EZ, FJ,FK ,FP FX-GB ,GF-G J,GL, HD,HF ,HG HK,HL ,HV-H X,J K-JV	1
305	65B05457-2		.WASHER	CA-EF ,EH,E K-EZ, FJ,FK ,FP FX-GB ,GF-G J,GL, HD,HF ,HG HK,HL ,HV-H X,J K-JV	1
308	1992B		-----*----- ..FITTING-LUBE (VOFKM1)	CA-EF ,EH,E K-EZ, FJ,FK ,FP FX-GB ,GF-G J,GL, HD,HF ,HG HK,HL ,HV-H X,J K-JV	2

**32-11-20**



FIG. & ITEM	PART NO.	AIRLINE PART NUMBER	NOMENCLATURE 1234567	EFF CODE	QTY PER ASSY
18-311	161T6040-11		..BUSHING	CA-EF ,EH,E K-EZ, FJ,FK ,FP FX-GB ,GF-G J,GL, HD,HF ,HG HK,HL ,HV-H X,J K-JV	4
314	161T2049-1		..BUSHING	CA-EF ,EH,E K-EZ, FJ,FK ,FP FX-GB ,GF-G J,GL, HD,HF ,HG HK,HL ,HV-H X,J K-JV	2

# 32-11-20

 ILLUSTRATED PARTS LIST  
 01.1 Page 1086B  
 Nov 01/05

FIG. & ITEM	PART NO.	AIRLINE PART NUMBER	NOMENCLATURE	EFF CODE	QTY PER ASSY
18-317	161T2008-2		1234567 ..SPINDLE- (USED ON ITEM 230)	CB,CC ,CF,C G,C J-CM, CT,CW CX,DB ,DL,D T,EA, EC,EH ,EQ ET-EY ,FJ,F X,GA, GG,GL ,HD HV,JK ,JL,J P,JR	1
-317A	161T2008-4		..SPINDLE- (USED ON ITEM 230A)	CB,CC ,CF,C J-CM, CT,CW CX,DB ,DL,D T,EA, EC,EH ,EQ ET-EY ,FJ,F X,GA, GG,GL ,HD HV,JK ,JL,J P,JR	1

32-11-20

FIG. & ITEM	PART NO.	AIRLINE PART NUMBER	NOMENCLATURE 1234567	EFF CODE	QTY PER ASSY
18-317B	161T2008-6		..SPINDLE- (USED ON ITEM 230B)	CA,CD ,CE,C H,C N-CS, CU,CV CY-DA ,DC,D E-DK, DM-DS DU-DZ ,EB, ED-EF ,EK-E T,EV EW,EY ,FK,F P,FY, FZ,GB ,GF GH,GJ ,HF, HG,HK ,HL,H W,HX JM,JN ,JQ,J S-JV	1

**32-11-20**

ILLUSTRATED PARTS LIST  
 01.1 Page 1086D  
 Nov 01/05

FIG. & ITEM	PART NO.	AIRLINE PART NUMBER	NOMENCLATURE 1234567	EFF CODE	QTY PER ASSY
18-320	161T6005-1		.SPINDLE ASSY-DRAG STRUT LWR (OPT ITEM 320B)	CA-CC ,CE-C M,C P-CU, CW,CX DA-DC ,DF,D L,DM, DQ-DT DW-DY ,EA, EC,EE ,EF,E H ES-EY ,FJ,F X,GA, GG,GL ,HD HV,J K-JR, JU	1
-320A	161T6005-3		.SPINDLE ASSY-DRAG STRUT LWR	CD,CN ,CV,C Y,CZ, DD,DE DG-DK ,DN-D P,DU, DV,DZ ,EB ED,E K-ER, EZ,FK ,FP,F Y,FZ GB,GF ,GH,G J,HF, HG,HK ,HL HW,HX ,JS,J T,JV	1

**32-11-20**

ILLUSTRATED PARTS LIST  
01.1 Page 1086E  
Nov 01/05

FIG. & ITEM	PART NO.	AIRLINE PART NUMBER	NOMENCLATURE 1234567	EFF CODE	QTY PER ASSY
18- -320B	161T6005-3		.SPINDLE ASSY-DRAG STRUT LWR (OPT ITEM 320)	CA-CC ,CE-C M,C P-CU, CW,CX DA-DC ,DF,D L,DM, DQ-DT DW-DY ,EA, EC,EE ,EF,E H ES-EY ,FJ,F X,GA, GG,GL ,HD HV,J K-JR, JU	1
323	NAS6604-17		ATTACHING PARTS .BOLT	CA-EF ,EH,E K-EZ, FJ,FK ,FP FX-GB ,GF-G J,GL, HD,HF ,HG HK,HL ,HV-H X,J K-JV	2

# 32-11-20

 ILLUSTRATED PARTS LIST  
 01.1 Page 1086F  
 Nov 01/05

FIG. & ITEM	PART NO.	AIRLINE PART NUMBER	NOMENCLATURE 1234567	EFF CODE	QTY PER ASSY
18-326	AN960-416		.WASHER	CA-EF ,EM,E Q-EZ, JK-JV	2
-326A	NAS1149F0463P		.WASHER	EH,EK ,EL,E N,EP, FJ,FK ,FP FX-GB ,GF-G J,GL, HD,HF ,HG HK,HL ,HV-H X	2
329	BRH10A4		.NUT- (V52828) (SPEC BACN10JC4) (OPT T6S428J (V11815)) (OPT 96-048 (V80539)) (OPT VN303A048 (V92215)) (OPT RMLH9075-4W (V72962)) (OPT NS202101-048 (V80539)) (OPT H10-4BAC (V15653))	CA-EF ,EM,E Q-EZ, JK-JV	2
-329A	BRH10C4D		.NUT- (V52828) (SPEC BACN10JC4CD) (OPT T6C428JCD (V11815)) (OPT NS202486-048 (V80539)) (OPT 102LH9075-4W (V72962)) (OPT H51650-4BAC (V15653))	EH,EK ,EL,E N,EP, FJ,FK ,FP FX-GB ,GF-G J,GL, HD,HF ,HG HK,HL ,HV-H X	2

**32-11-20**

FIG. & ITEM	PART NO.	AIRLINE PART NUMBER	NOMENCLATURE 1234567	EFF CODE	QTY PER ASSY
18-332	161T6019-1		.NUT	CA-EF ,EH,E K-EZ, FJ,FK ,FP FX-GB ,GF-G J,GL, HD,HF ,HG HK,HL ,HV-H X,J K-JV	1
335	161T6020-1		.WASHER	CA-EF ,EH,E K-EZ, FJ,FK ,FP FX-GB ,GF-G J,GL, HD,HF ,HG HK,HL ,HV-H X,J K-JV	1
			-----*		

# 32-11-20

 ILLUSTRATED PARTS LIST  
 01.1 Page 1086H  
 Nov 01/05

FIG. & ITEM	PART NO.	AIRLINE PART NUMBER	NOMENCLATURE 1234567	EFF CODE	QTY PER ASSY
18-338	1728B		..FITTING-LUBE (VOFKM1)	CA-EF ,EH,E K-EZ, FJ,FK ,FP FX-GB ,GF-G J,GL, HD,HF ,HG HK,HL ,HV-H X,J K-JV	1
341	161T6038-1		..BUSHING	CA-EF ,EH,E K-EZ, FJ,FK ,FP FX-GB ,GF-G J,GL, HD,HF ,HG HK,HL ,HV-H X,J K-JV	4
344	161T6044-1		..BUSHING	CA-EF ,EH,E K-EZ, FJ,FK ,FP FX-GB ,GF-G J,GL, HD,HF ,HG HK,HL ,HV-H X,J K-JV	2

**32-11-20**

ILLUSTRATED PARTS LIST  
01.1 Page 1086I  
Nov 01/05



FIG. & ITEM	PART NO.	AIRLINE PART NUMBER	NOMENCLATURE	EFF CODE	QTY PER ASSY
18-347	161T6005-2		1234567 ..SPINDLE- (USED ON ITEM 320)	CA-CC ,CE-C M,C P-CU, CW,CX DA-DC ,DF,D L,DM, DQ-DT DW-DY ,EA, EC,EE ,EF,E H ES-EY ,FJ,F X,GA, GG,GL ,HD HV,J K-JR, JU	1
-347A	161T6005-4		..SPINDLE- (USED ON ITEMS 320A, 320B)	CA-EF ,EH,E K-EZ, FJ,FK ,FP FX-GB ,GF-G J,GL, HD,HF ,HG HK,HL ,HV-H X,J K-JV	1

# 32-11-20

 ILLUSTRATED PARTS LIST  
 01.1 Page 1086J  
 Nov 01/05

FIG. & ITEM	PART NO.	AIRLINE PART NUMBER	NOMENCLATURE	EFF CODE	QTY PER ASSY
18-350	MS24665-359		.PIN-COTTER	CA-EF ,EM,E Q-EZ, JK-JV	1
-350A	BACP18BC04C14P		.PIN-COTTER	EH,EK ,EL,E N,EP, FJ,FK ,FP FX-GB ,GF-G J,GL, HD,HF ,HG HK,HL ,HV-H X	1
353	161T1183-1		.BOLT ASSY	CA-EF ,EH,E K-EZ, FJ,FK ,FP FX-GB ,GF-G J,GL, HD,HF ,HG HK,HL ,HV-H X,J K-JV	1

32-11-20

ILLUSTRATED PARTS LIST  
01.1 Page 1086K  
Nov 01/05

FIG. & ITEM	PART NO.	AIRLINE PART NUMBER	NOMENCLATURE 1234567	EFF CODE	QTY PER ASSY
18-356	1728B		..FITTING-LUBE (VOFKM1)	CA-EF ,EH,E K-EZ, FJ,FK ,FP FX-GB ,GF-G J,GL, HD,HF ,HG HK,HL ,HV-H X,J K-JV	1
359	161T1183-2		..BOLT	CA-EF ,EH,E K-EZ, FJ,FK ,FP FX-GB ,GF-G J,GL, HD,HF ,HG HK,HL ,HV-H X,J K-JV	1
362	162T2015-5		.WASHER	CA-EF ,EH,E K-EZ, FJ,FK ,FP FX-GB ,GF-G J,GL, HD,HF ,HG HK,HL ,HV-H X,J K-JV	1

# 32-11-20

 ILLUSTRATED PARTS LIST  
 01.1 Page 1086L  
 Nov 01/05

 **BOEING**  
COMPONENT  
MAINTENANCE MANUAL

FIG. & ITEM	PART NO.	AIRLINE PART NUMBER	NOMENCLATURE 1234567	EFF CODE	QTY PER ASSY
18-365	H10-14BAC		.NUT- (V15653) (SPEC BACN10JC14) (OPT BMN4122A14 (V85495)) (OPT RMLH9074-14 (V72962)) (OPT 48FT1414 (V56878)) (OPT BMN4122AD3-14 (V97928))	CA-EF ,EM,E Q-EZ, JK-JV	1
-365A	H51650-14BAC		.NUT- (V15653) (SPEC BACN10JC14CD) (OPT 102LH9074-14 (V72962)) (OPT 69235-1414CD (V92215)) (OPT BMN4122CPD8-14 (V97928))	EH,EK ,EL,F J,FK, FP,F X-GB GF-GJ ,GL, HD,HF ,HG,H K,HL HV-HX	1
368	NH1005202-10		.CLAMP- (V00624) (OPT ITEM 368B)	CA-CC ,CF,C L	4
-368A	NH1005380-10		.CLAMP- (V00624) (OPT ITEM 368C)	CE	4
-368B	VC1297		.CLAMP- (V14242) (OPT ITEM 368)	CA-CC ,CF,C L	4
-368C	VC1296-875		.CLAMP- (V14242) (OPT ITEM 368A)	CE	4
371	161T1000-84		.CAP ASSY-HUB	CA-CC ,CF,C L	4

**32-11-20**

FIG. & ITEM	PART NO.	AIRLINE PART NUMBER	NOMENCLATURE 1234567	EFF CODE	QTY PER ASSY
18-373	161T1211-10		..CAP ASSY- (OPT ITEM 373A)	CA-CC ,CF,C L	1
-373A	161T1211-13		..CAP ASSY- (OPT ITEM 373)	CA-CC ,CF,C L	1
376	NAS6603H2		ATTACHING PARTS ..BOLT	CA-CC ,CF,C L	2
			-----*-----		
379	161T1207-1		...PIN-LOCATER	CA-CC ,CF,C L	1
382	161T1211-12		...CAP- (OPT ITEM 382A)	CA-CC ,CF,C L	1
-382A	161T1211-11		...CAP- (OPT ITEM 382)	CA-CC ,CF,C L	1
-382B	161T1211-14		...CAP- (OPT ITEM 382C)	CA-CC ,CF,C L	1
-382C	161T1211-15		...CAP- (OPT ITEM 382B)	CA-CC ,CF,C L	1
385	NAS1352C08H10		..SCREW	CA-CC ,CF,C L	2
388	161T1223-1		..WASHER	CA-CC ,CF,C L	1
401	78529		..COUPLING ASSY- (V92003) (SPEC S161T102-2) (OPT ITEM 401A)	CA-CC ,CF,C L	1
-401A	84490-1		..COUPLING ASSY- (PERF) (V07649) (SPEC S161T102-5) (OPT ITEM 401)	CA-CC ,CF,C L	1

# 32-11-20

 ILLUSTRATED PARTS LIST  
 01.1 Page 1086N  
 Nov 01/05

FIG. & ITEM	PART NO.	AIRLINE PART NUMBER	NOMENCLATURE 1234567	EFF CODE	QTY PER ASSY
18-404	161T1220-1		..CUP- (OPT ITEM 404A)	CA-CC ,CF,C L	1
-404A	161T1220-2		..CUP- (OPT ITEM 404)	CA-CC ,CF,C L	1
407	161T1000-83		.TRANSDUCER ASSY	CA-CC ,CF,C L	4
408	161T1000-82		.MOTOR ASSY-TRANSDUCER	CE	4
410	NAS6603H2		..BOLT	CA-CC ,CF,C L	1
413	161T1222-1		..WASHER	CA-CC ,CF,C L	1
416	161T1221-1		..DOG- (OPT ITEM 416A)	CA-CC ,CF,C L	1
-416A	161T1221-3		..DOG- (OPT ITEM 416)	CA-CC ,CF,C L	1
-416B	161T1221-3		..DOG	CE	1
419	140-025-1		..TRANSDUCER- (V81982) (SPEC S283T001-10) (OPT ITEM 419A)	CA-CC ,CF,C L	1
-419A	140-025-2		..TRANSDUCER- (V81982) (SPEC S283T001-15) (OPT ITEM 419)	CA-CC ,CF,C L	1
420	77-395		..MOTOR- (V81982) (SPEC S283T001-7)	CE	1

**32-11-20**

ILLUSTRATED PARTS LIST  
01.1 Page 10860  
Nov 01/05

FIG. & ITEM	PART NO.	AIRLINE PART NUMBER	NOMENCLATURE 1234567	EFF CODE	QTY PER ASSY
18-422	NAS6604-10		.BOLT	CA-EF ,EH,E K-EZ, FJ,FK ,FP FX-GB ,GF-G J,GL, HD,HF ,HG HK,HL ,HV-H X,J K-JV	8
425	AN960-416		.WASHER	CA-EF ,EM,E Q-EZ, JK-JV	8
-425A	NAS1149F0463P		.WASHER	EH,EK ,EL,E N,EP, FJ,FK ,FP FX-GB ,GF-G J,GL, HD,HF ,HG HK,HL ,HV-H X	8

# 32-11-20

 ILLUSTRATED PARTS LIST  
 01.1 Page 1086P  
 Nov 01/05

FIG. & ITEM	PART NO.	AIRLINE PART NUMBER	NOMENCLATURE	EFF CODE	QTY PER ASSY
18-428	BRH10A4		1234567 .NUT- (V52828) (SPEC BACN10JC4) (OPT T6S428J (V11815)) (OPT 96-048 (V80539)) (OPT VN303A048 (V92215)) (OPT RMLH9075-4W (V72962)) (OPT NS202101-048 (V80539)) (OPT H10-4BAC (V15653))	CA-EF ,EM,E Q-EZ, JK-JV	8
-428A	BRH10C4D		.NUT- (V52828) (SPEC BACN10JC4CD) (OPT T6C428JCD (V11815)) (OPT NS202486-048 (V80539)) (OPT 102LH9075-4W (V72962)) (OPT H51650-4BAC (V15653))	EH,EK ,EL,E N,EP, FJ,FK ,FP FX-GB ,GF-G J,GL, HD,HF ,HG HK,HL ,HV-H X	8
431	161T1206-9		.SUPPORT-ANTISKID TRANSDUCER (OPT ITEM 431A)	CA-CC ,CF,C L	4
-431A	161T1206-7		.SUPPORT-ANTISKID TRANSDUCER (OPT ITEM 431)	CA-CC ,CF,C L	4

32-11-20



FIG. & ITEM	PART NO.	AIRLINE PART NUMBER	NOMENCLATURE 1234567	EFF CODE	QTY PER ASSY
R 18-434	161T1209-1		.NUT-RTNR	CA-CC ,CF,C L	4
435	161T1204-1		.NUT	CD,CE ,CG-C K,C M-EF, FJ,FK FP,F X-FZ, GB,G F-GJ, GL,HD HF,HG ,HK,H L,H V-HX, JK-JV	4
436	161T1203-2		.WASHER	CD,CE ,CG-C K,C M-EF, EN,EP FJ,FK ,FP,F X-FZ, GB,G F-GJ GL,HD ,HF, HG,HK ,HL,H V-HX JK-JV	4
437D	161T1000-73		.WHEEL AND TIRE ASSY	CB,CF	4
-437E	161T1000-55		.WHEEL AND TIRE ASSY	CC,CL	4
-437G	161T1000-75		.WHEEL AND TIRE ASSY	CE	4
-437H	161T1000-76		.WHEEL AND TIRE ASSY ATTACHING PARTS	CA	4
440	161T1204-1		.NUT	CA-CC ,CE,C F,CL	4

# 32-11-20

 ILLUSTRATED PARTS LIST  
 01.1 Page 1086R  
 Nov 01/05

FIG. & ITEM	PART NO.	AIRLINE PART NUMBER	NOMENCLATURE 1234567	EFF CODE	QTY PER ASSY
18-443	161T1203-2		.WASHER	CA-CC ,CE,C F,CL	4
446	10-44		-----*----- ..VALVE ASSY-FILL (V91816) (SPEC 60B10055-4) (FOR DETAILS SEE FIG. 80)	CA-CC ,CE,C F,CL	1
449B	032-863-1		DELETED		
-449G	APS01410B		DELETED		
-449H	APS01410B		DELETED		
-449J	APS01410B		DELETED		
-449K	039-807		DELETED		
-449L	APS06005		DELETED		
-449M	APS06007		..TIRE-H46X18-20 (VS4233) (SPEC S160T201-3621) (OPT 039-807 (V03481)) (OPT SR23523T (V0940B)) (OPT APS01441 (VS4233)) (OPT 468K22-1 (V73842)) (OPT DR25622T (VK1037)) (OPT 039-807-0 (VOA1K8)) (OPT S0145 (V0587B))	CA	1
-449N	S0137		DELETED		

32-11-20

FIG. & ITEM	PART NO.	AIRLINE PART NUMBER	NOMENCLATURE	EFF CODE	QTY PER ASSY
18- 449P 449Q	039-807-0 468K62T1		1234567  DELETED ..TIRE-H46X18-20 (CUSTOMER FURNISHED) (V73842) (SPEC S160T201-3321) (SPEC S160T201-332) (OPT APS01410 (VS4233)) (OPT 468K62-1 (V73842)) (OPT DR23521T (V0940B)) (OPT 032-863 (V03481)) (OPT APS01410B (VS4233)) (OPT 032-863-1 (V03481)) (OPT DR25621T (VK1037)) (OPT APS06005 (VS4233)) (OPT S0137 (V0587B))	CB,CE ,CF	1

# 32-11-20

 ILLUSTRATED PARTS LIST  
 01.1 Page 1086T  
 Nov 01/05



**BOEING**  
COMPONENT  
MAINTENANCE MANUAL

FIG. & ITEM	PART NO.	AIRLINE PART NUMBER	NOMENCLATURE 1234567	EFF CODE	QTY PER ASSY
18- -449R	468K62T1		..TIRE-H46X18-20 (V73842) (SPEC S160T201-3321) (SPEC S160T201-332) (OPT APS01410 (VS4233)) (OPT 468K62-1 (V73842)) (OPT DR23521T (V0940B)) (OPT 032-863 (V03481)) (OPT APS01410B (VS4233)) (OPT 032-863-1 (V03481)) (OPT DR25621T (VK1037)) (OPT APS06005 (VS4233)) (OPT S0137 (V0587B))	CC,CL	1
-449S 452A	S0145 2608811-3		DELETED ..WHEEL ASSY- (V55284) (SPEC S160T300-22 )	CA,CE	1
-452C	2606741-1		..WHEEL ASSY- (V55284) (SPEC S160T200-21)	CB,CC ,CF,C L	1
455	2606169-14		.RETAINER-SEAL (V55284)	CA-CC ,CE,C F,CL	4
458	2606950		.SEAL- (V55284) (OPT ITEM 458A)	CA-CC ,CE,C F,CL	4

32-11-20

FIG. & ITEM	PART NO.	AIRLINE PART NUMBER	NOMENCLATURE 1234567	EFF CODE	QTY PER ASSY
18- -458A	2608765		.SEAL- (V55284) (OPT ITEM 458)	CA-CC ,CE,C F,CL	4
461	161T1202-1		.SPACER-WHL (OPT ITEM 461A)	CA-EF ,EH,E K-EZ, FJ,FK ,FP FX-GB ,GF-G J,GL, HD,HF ,HG HK,HL ,HV-H X,J K-JV	4
-461A	161T1202-2		.SPACER-WHL (OPT ITEM 461)	CA-EF ,EH,E K-EZ, FJ,FK ,FP FX-GB ,GF-G J,GL, HD,HF ,HG HK,HL ,HV-H X,J K-JV	4

# 32-11-20

 ILLUSTRATED PARTS LIST  
 01.1 Page 1086V  
 Nov 01/05

FIG. & ITEM	PART NO.	AIRLINE PART NUMBER	NOMENCLATURE 1234567	EFF CODE	QTY PER ASSY
18-464	161T1201-1		.PIN ASSY-BRAKE ATTACHMENT (161T1201-1 BRAKE ROD PIN TOGETHER WITH 1 EACH BACB30UU6K68D OR BACB30LT6DK68 OR NAS6706D68 OR NAS6606D68 BOLT, 1 EACH MS14145L6 OR BACN10JC6 NUT, 1 EACH AN960-616 WASHER, AND 1 EACH MS24665-287 COTTER PIN I/W ONE-WAY FORWARD TO 161T1201-4 OR -3 BRAKE ROD PIN TOGETHER WITH 1 EACH 161T1024-1 BULKHEAD 1 EACH 161T1025-1 KEEPER PIN, 1 EACH 161T1219-1 OR -2 WASHER, 1 EACH BACB30LJ5D41 BOLT, 1 EACH BACW10DS5TS WASHER, 1 EACH NAS1149F0563P WASHER, 1 EACH MS14145LS NUT, AND 1 EACH MS24665-155 COTTER PIN. REFERENCE S.B. 767-32A0126) (PRE SB 767-32A0126) (PRE SB 767-32-0130) (CONT. AT ITEM 464C)	CA-EF, EH, EK-EM, EQ-EZ, FJ, GA, JK, JL	4

**32-11-20**

ILLUSTRATED PARTS LIST  
01.1 Page 1086W  
Nov 01/05

FIG. & ITEM	PART NO.	AIRLINE PART NUMBER	NOMENCLATURE 1234567	EFF CODE	QTY PER ASSY
18- -464A	161T1201-3		.PIN-BRAKE ATTACHMENT (161T1201-4 OR -3, BRAKE ROD PIN TOGETHER WITH 1 EACH 161T1024-1 BULKHEAD 1 EACH 161T1025-1 KEEPER PIN, 1 EACH 161T1219-1 OR -2 WASHER, 1 EACH BACB30LJ5D41 BOLT, 1EACH BACW10DS5TS WASHER, 1 EACH NAS1149F0563P WASHER, 1 EACH MS14145LS NUT, AND 1 EACH MS24665-155 COTTER PIN I/W ONE-WAY FORWARD TO 161T1019-1 BRAKE ROD PIN TOGETHER WITH 1 EACH 161T1020-1 BULKHEAD, 1 EACH 161T1021-1 WASHER 1 EACH 161T1219-2 WASHER 2 EACH NAS1802-3D10 BOLT, AND 2 EACH MS20995C32 COTTER PIN. REFERENCE S.B, 767-32-0130) (POST SB 767-32A0126) (PRE SB 767-32-0130)	CA-EF ,EH,E K-EM, EQ-EZ	4
-464B	161T1201-4		.PIN-BRAKE ATTACHMENT (161T1201-4 PIN T/W 1EA 161T1219-1 WASHER 1EA 161T1024-1 BULKHEAD-KEEPER 1 EA 161T1025-1 PIN-KEEPER 1EA BACB30LJD41 BOLT 1EA BACW10DS5TS WASHER 1EA NAS1149D0563P WASHER IEA MS14145L5 NUT AND 1EA MS24665-155 COTTER PIN I/W ONE-WAY FORWARD TO 161T1019-1 PIN T/W 1EA 161T1020-1 BOLT 1EA 161T1021-1 WASHER 2EA NAS1802-3D10 BOLT AND 2EA MS20995C32 LOCKWIRE) (POST SB 767-32A0126) (PRE SB 767-32-0130)	CA-EF ,EH,E K-EM, EQ-EZ	4

# 32-11-20

 ILLUSTRATED PARTS LIST  
 01.1 Page 1086X  
 Nov 01/05

FIG. & ITEM	PART NO.	AIRLINE PART NUMBER	NOMENCLATURE 1234567	EFF CODE	QTY PER ASSY
18- -464C	161T1201-1		.PIN ASSY-BRAKE ATTACHMENT (PRE SB 767-32A0126) (PRE SB 767-32-0130) (CONT. FROM ITEM 464) (CONT. AT ITEM 464D)	CA-EF ,EH,E K-EM, EQ-EZ ,FJ GA,JK ,JL	4
-464D	161T1201-1		.PIN ASSY-BRAKE ATTACHMENT (161T1201-1 BRAKE ROD PIN TOGETHER WITH 1 EACH BACB30UU6K68D OR BACB30LT6DK68 OR NAS6706D68 OR NAS6606D68 BOLT, 1 EACH MS14145L6 OR BACN10JC6 NUT, AN960-616 WASHER, AND 1 EACH MS24665-287 COTTER PIN I/W ONE-WAY FORWARD TO 161T1019-1 BRAKE ROD PIN TOGETHER WITH 1 EACH 161T1020-1 BULKHEAD, 1 EACH 161T1021-1 WASHER, 1 EACH 161T1219-2 WASHER, 2 EACH NAS1802-3D10 BOLT. REFERENCE S.B. 767-32-0130) (PRE SB 767-32A0126) (PRE SB 767-32-0130) (CONT. FROM ITEM 464C)	CA-EF ,EH,E K-EM, EQ-EZ ,FJ GA,JK ,JL	4

**32-11-20**

ILLUSTRATED PARTS LIST  
01.1 Page 1086Y  
Nov 01/05



FIG. & ITEM	PART NO.	AIRLINE PART NUMBER	NOMENCLATURE 1234567	EFF CODE	QTY PER ASSY
18-464E	161T1201-3		.PIN-BRAKE ATTACHMENT (161T1201-1 BRAKE ROD PIN TOGETHER WITH 1 EACH BACB30UU6K68D OR BACB30LT6DK68 OR NAS6706D68 OR NAS6606D68 BOLT, 1 EACH MS14145L6 OR BACN10JC6 NUT, 1 EACH AN960-616 WASHER, AND 1 EACH MS24665-287 COTTER PIN I/W ONE-WAY FORWARD TO 161T1201-4 OR -3 BRAKE ROD PIN TOGETHER WITH 1 EACH 161T1024-1 BULKHEAD 1 EACH 161T1025-1 KEEPER PIN, 1 EACH 161T1219-1 OR -2 WASHER, 1 EACH BACB30LJ5D41 BOLT, 1 EACH BACW10DS5TS WASHER, 1 EACH NAS1149F0563P WASHER, 1 EACH MS14145LS NUT, AND 1 EACH MS24665-155 COTTER PIN. REFERENCE S.B. 767-32A0126) (OPT ITEM 464F) (POST SB 767-32A0126) (PRE SB 767-32-0130) (CONT. FROM ITEM 464A)	CA-EF, EH, EK-EM, EQ-EZ	4

# 32-11-20

 ILLUSTRATED PARTS LIST  
 01.1 Page 1086Z  
 Nov 01/05

 **BOEING**  
COMPONENT  
MAINTENANCE MANUAL

FIG. & ITEM	PART NO.	AIRLINE PART NUMBER	NOMENCLATURE	EFF CODE	QTY PER ASSY
18-464F	161T1201-4		1234567 PIN-BRAKE ATTACHMENT (161T1201-1 BRAKE ROD PIN TOGETHER WITH 1 EACH BACB30UU6K68D OR BACB30LT6DK68 OR NAS6706D68 OR NAS6606D68 BOLT, 1 EACH MS14145L6 OR BACN10JC6 NUT, 1 EACH AN960-616 WASHER, AND 1 EACH MS24665-287 COTTER PIN I/W ONE-WAY FORWARD TO 161T1201-4 OR -3 BRAKE ROD PIN TOGETHER WITH 1 EACH 161T1024-1 BULKHEAD 1 EACH 161T1025-1 KEEPER PIN, 1 EACH 161T1219-1 OR -2 WASHER, 1 EACH BACB30LJ5D41 BOLT, 1 EACH BACW10DS5TS WASHER, 1 EACH NAS1149F0563P WASHER, 1 EACH MS14145LS NUT, AND 1 EACH MS24665-155 COTTER PIN. REFERENCE S.B. 767-32A0126) (OPT ITEM 464E) (POST SB 767-32A0126) (PRE SB 767-32-0130) (CONT. FROM ITEM 464B)	CA-EF, EH, EK-EM, EQ-EZ	4

32-11-20

ILLUSTRATED PARTS LIST  
01.1 Page 1087  
Nov 01/05

FIG. & ITEM	PART NO.	AIRLINE PART NUMBER	NOMENCLATURE	EFF CODE	QTY PER ASSY
18-465	161T1019-1		1234567 .PIN- (161T1201-4 OR -3, BRAKE ROD PIN TOGETHER WITH 1 EACH 161T1024-1 BULKHEAD 1 EACH 161T1025-1 KEEPER PIN, 1 EACH 161T1219-1 OR -2 WASHER, 1 EACH BACB30LJ5D41 BOLT 1 EACH BACW10DS5TS WASHER 1EACH NAS1149F0563P WASHER 1 EACH MS14145LS NUT, AND 1 EACH MS24665-155 COTTER PIN I/W ONE-WAY FORWARD TO 161T1019-1 BRAKE ROD PIN TOGERHER WITH 1 EACH 161T1020-1 BULKHEAD, 1 EACH 161T1021-1 WASHER 1 EACH 161T1219-2 WASHER 2 EACH NAS1802-3D10 BOLT AND 2 EACH MS20995C32 COTTER PIN REFERENCE S.B, 767-32-0130) (OPT ITEM 465A) (POST SB 767-32-0130) (CONT. AT ITEM 465C)	CA-EF, EH, EK-EM, EQ-EZ, FH	4
-465A	161T1019-2		.PIN- (OPT ITEM 465) (POST SB 767-32-0130)	CA-EF, EH, EK-EM, EQ-EZ	4

# 32-11-20

 ILLUSTRATED PARTS LIST  
 01.1 Page 1088  
 Nov 01/05

FIG. & ITEM	PART NO.	AIRLINE PART NUMBER	NOMENCLATURE	EFF CODE	QTY PER ASSY
18-465B	161T1019-1		1234567 .PIN- (161T1201-4 OR -3, BRAKE ROD PIN TOGETHER WITH 1 EACH 161T1024-1 BULKHEAD 1 EACH 161T1025-1 KEEPER PIN, 1 EACH 161T1219-1 OR -2 WASHER, 1 EACH BACB30LJ5D41 BOLT, 1EACH BACW10DS5TS WASHER, 1 EACH NAS1149F0563P WASHER, 1 EACH MS14145LS NUT, AND 1 EACH MS24665-155 COTTER PIN I/W ONE-WAY FORWARD TO 1 EACH 161T1019-1 BRAKE ROD PIN TOGETHER WITH 1 EACH 161T1020-1 BULKHEAD 1 EACH 161T1021-1 WASHER 1 EACH 161T1219-2 WASHER 2 EACH NAS1802-3D10 BOLT AND 2 EACH MS20995C32 COTTER PIN. REFERENCE S.B. 767-32-0130) (CONT. AT ITEM 465D)	EN,EP ,FK,F P,F X-FZ, GB GF-GJ ,GL, HD,HF ,HG,H K,HL HV-HX ,JM-J V	4

32-11-20

ILLUSTRATED PARTS LIST  
01.1 Page 1088A  
Nov 01/05

FIG. & ITEM	PART NO.	AIRLINE PART NUMBER	NOMENCLATURE 1234567	EFF CODE	QTY PER ASSY
18- -465C	161T1019-1		.PIN-BRAKE ATTACHMENT (161T1201-1 BRAKE ROD PIN TOGETHER WITH 1 EACH BACB30UU6K68D OR BACB3OLT6DK68 OR NAS6706D68 OR NAS6606D68 BOLT, 1 EACH MS14145L6 OR BACN10JC6 NUT, AN960-616 WASHER, AND 1 EACH MS24665-287 COTTER PIN I/W ONE-WAY FORWARD TO 161T1019-1 BRAKE ROD PIN TOGETHER WITH 1 EACH 161T1020-1 BULKHEAD, 1 EACH 161T1021-1 WASHER, 1 EACH 161T1219-2 WASHER, 2 EACH NAS1802-3D10 BOLT. REFERENCE S.B. 767-32-0130) (OPT ITEM 465A) (POST SB 767-32-0130) (CONT. FROM ITEM 465)	CA-EF ,EH,E K-EM, EQ-EZ ,FH	4
-465D	161T1019-1		.PIN-BRAKE ATTACHMENT (161T1201-1 BRAKE ROD PIN TOGETHER WITH 1 EACH BACB30UU6K68D OR BACB3OLT6DK68 OR NAS6706D68 OR NAS6606D68 BOLT, 1 EACH MS14145L6 OR BACN10JC6 NUT, AN960-616 WASHER, AND 1 EACH MS24665-287 COTTER PIN I/W ONE-WAY FORWARD TO 161T1019-1 BRAKE ROD PIN TOGETHER WITH 1 EACH 161T1020-1 BULKHEAD, 1 EACH 161T1021-1 WASHER, 1 EACH 161T1219-2 WASHER, 2 EACH NAS1802-3D10 BOLT. REFERENCE S.B. 767-32-0130) (POST SB 767-32-0130) (CONT. FROM ITEM 465B)	EN,EP ,FK,F P,F X-FZ, GB GF-GJ ,GL, HD,HF ,HG,H K,HL JM-JV	4

# 32-11-20

 ILLUSTRATED PARTS LIST  
 01.1 Page 1088B  
 Nov 01/05

FIG. & ITEM	PART NO.	AIRLINE PART NUMBER	NOMENCLATURE 1234567	EFF CODE	QTY PER ASSY
18-			ATTACHING PARTS		
467	MS24665-287		.PIN-COTTER (PRE SB 767-32A0126) (PRE SB 767-32-0130)	CA-EF ,EH,E K-EM, EQ-EZ	4
R -467A	BACP18BC03C10P		.PIN-COTTER	FJ,GA	4
-467B	MS24665-287		.PIN-COTTER	JK,JL	4
470	NAS6606D68		.BOLT- (PRE SB 767-32A0126) (PRE SB 767-32-0130)	CA-CC ,CF	4
-470A	NAS6706D68		.BOLT- (PRE SB 767-32-0106) (PRE SB 767-32A0126) (PRE SB 767-32-0130)	CD,CE ,CG- DC,DL ,FJ, GA	4
-470B	BACB30UU6K68D		.BOLT- (OPT ITEM 470C) (PRE SB 767-32A0126) (POST SB 767-32-0106) (PRE SB 767-32-0130)	DD-DK ,DM-E F	4
-470C	BACB30LT6DK68		.BOLT- (OPT ITEM 470B) (POST SB 767-32-0106) (PRE SB 767-32A0126) (PRE SB 767-32-0130)	DD-DK ,DM-E F	4
R -470D	NAS6606D68		.BOLT	JK,JL	4
473	AN960-616		.WASHER- (PRE SB 767-32A0126) (PRE SB 767-32-0130)	CA-EF ,EM,E Q-EZ	4
R -473A	NAS1149F0663P		.WASHER	FJ,GA	4
R -473B	AN960-616		.WASHER	JK,JL	4
R 474	161T1021-1		.WASHER- (POST SB 767-32-0130)	CA-EF ,EH,E K-EZ, FH,FK ,FP FX-FZ ,GB, GF-GJ ,GL, HD,HF HG,HK ,HL,H V-HX	4
R -474A	161T1021-1		.WASHER	JM-JV	4

32-11-20

ILLUSTRATED PARTS LIST  
01.1 Page 1088C  
Nov 01/05

FIG. & ITEM	PART NO.	AIRLINE PART NUMBER	NOMENCLATURE 1234567	EFF CODE	QTY PER ASSY
R 18-474J	BRH10C6D		.NUT- (V52828) (SPEC BACN10JC6CD) (OPT H51650-6BAC (V15653))	FJ,GA	4
R 475	161T1020-1		.BOLT- (POST SB 767-32-0130)	CA-EF ,EH,E K-EZ, FH,FK ,FP FX-FZ ,GB, GF-GJ ,GL, HD,HF HG,HK ,HL,H V-HX	4
R -475A	161T1020-1		.BOLT	JM-JV	4
R 475J	NAS1802-3D10		.BOLT- (OPT ITEM 475K) (POST SB 767-32-0130)	CA-EF ,EH,E K-EM, EQ-EZ CA-EF	8
R -475K	NAS1801-3D10		.SCREW- (OPT ITEM 475J) (POST SB 767-32-0130)	CA-EF	8
R -475L	NAS1802-3D10		.BOLT- (OPT ITEM 475M)	JM-JV	8
R -475M	NAS1801-3D10		.SCREW- (OPT ITEM 475L)	JM-JV	8

# 32-11-20

 ILLUSTRATED PARTS LIST  
 01.1 Page 1088D  
 Nov 01/05

FIG. & ITEM	PART NO.	AIRLINE PART NUMBER	NOMENCLATURE 1234567	EFF CODE	QTY PER ASSY
18-476	BRH10A6		.NUT- (V52828) (SPEC BACN10JC6) (OPT 96-064 (V80539)) (OPT RMLH9075-6 (V72962)) (OPT H10-6BAC (V15653)) (REPLD BY ITEM 476B) (PRE SB 767-32-0106) (PRE SB 767-32A0126) (PRE SB 767-32-0130)	CA-DC ,DL	4
-476A	MS14145L6		.NUT- (PRE SB 767-32A0126) (PRE SB 767-32-0130)	DD-DK ,DM-E F	4
-476B	H52732-6CD		.NUT- (V15653) (SPEC BACN10YR6CD) (OPT PLH56CD (V62554)) (REPLS ITEM 476) (POST SB 767-32-0106) (PRE SB 767-32A0126) (PRE SB 767-32-0130)	CA-DC ,DL	4
-476C	BACN10JC6CD		DELETED		
R -476D	BRH10A6		.NUT- (V52828) (SPEC BACN10JC6) (OPT 96-064 (V80539)) (OPT RMLH9075-6 (V72962)) (OPT H10-6BAC (V15653))	JK,JL	4
R -476E	MS14145L6		.NUT -----*-----	JM-JV	4

32-11-20



FIG. & ITEM	PART NO.	AIRLINE PART NUMBER	NOMENCLATURE 1234567	EFF CODE	QTY PER ASSY
18-477	BACB30LJ5D41		.BOLT- (OPT ITEM 477A) (POST SB 767-32A0126) (PRE SB 767-32-0130)	CA-EF ,EH,E K-EM, EQ-EZ	4
-477A	NAS6705D41		.BOLT- (OPT ITEM 477) (POST SB 767-32A0126) (PRE SB 767-32-0130)	CA-EF ,EH,E K-EM, EQ-EZ	4
477E	BACW10DS5TS		.WASHER- (OPT ITEM 477F) (POST SB 767-32A0126) (PRE SB 767-32-0130)	CA-EF ,EH,E K-EM, EQ-EZ	4
-477F	BACW10BN5SC		.WASHER- (OPT ITEM 477E) (POST SB 767-32A0126) (PRE SB 767-32-0130)	CA-EF ,EH,E K-EM, EQ-EZ	4
477J	NAS1149F0563P		.WASHER- (POST SB 767-32A0126) (PRE SB 767-32-0130)	CA-EF ,EH,E K-EM, EQ-EZ	4
477N	MS14145L5		.NUT- (POST SB 767-32A0126) (PRE SB 767-32-0130)	,FJ CA-EF ,EH,E K-EM, EQ-EZ	4
477T	MS24665-155		.PIN-COTTER (POST SB 767-32A0126) (PRE SB 767-32-0130)	CA-EF ,EH,E K-EM, EQ-EZ	4

# 32-11-20



**BOEING**  
COMPONENT  
MAINTENANCE MANUAL

FIG. & ITEM	PART NO.	AIRLINE PART NUMBER	NOMENCLATURE 1234567	EFF CODE	QTY PER ASSY
18-478	161T1025-1		.PIN-KEEPER (POST SB 767-32A0126) (PRE SB 767-32-0130)	CA-EF ,EH,E K-EM, EQ-EZ	4
478E	161T1219-1		.WASHER- (OPT ITEM 478F) (POST SB 767-32A0126) (POST SB 767-32-0130) (REWORK BY SB 767-32-0143) (PRE SB 767-32-0153) (PRE SB 767-32-0168) (PRE SB 767-32-0183)	CA-EF ,EH,E K-EM, EQ-EZ	4
-478F	161T1219-2		.WASHER- (OPT ITEM 478E) (POST SB 767-32-0130) (REWORK BY SB 767-32-0143) (PRE SB 767-32-0153) (PRE SB 767-32-0168) (PRE SB 767-32-0183)	CA-EF ,EH,E K-EM, EQ-EZ	4
478J	161T1024-1		.BULKHEAD-KEEPER (OPT ITEM 478K) (POST SB 767-32A0126) (PRE SB 767-32-0130)	CA-EF ,EH,E K-EM, EQ-EZ	4
-478K	161T1024-3		.BULKHEAD-KEEPER (OPT ITEM 478J) (POST SB 767-32A0126) (PRE SB 767-32-0130)	CA-EF ,EH,E K-EM, EQ-EZ	4
479	161T1212-1		..BUSHING	CA-EF ,EH,E K-EM, EQ-EZ ,FJ	1
482	161T1201-2		..PIN	GA,GB CA-EF ,EH,E K-EM, EQ-EZ ,FJ GA,GB	1

32-11-20

ILLUSTRATED PARTS LIST  
01.1 Page 1088G  
Nov 01/05

FIG. & ITEM	PART NO.	AIRLINE PART NUMBER	NOMENCLATURE 1234567	EFF CODE	QTY PER ASSY
18-485	66-18544-1		.STUD-GND	CA-EF ,EH,E K-EZ, FJ,FK ,FP FX-GB ,GF-G J,GL, HD,HF ,HG HK,HL ,HV-H X,J K-JV	1
488	MS35333-42		.WASHER	CA-EF ,EH,E K-EZ, FJ,FK ,FP FX-GB ,GF-G J,GL, HD,HF ,HG HK,HL ,HV-H X,J K-JV	1
501	AN960-616		.WASHER	CA-EF ,EM,E Q-EZ, JK-JV	1
-501A	NAS1149F0663P		.WASHER	EH,EK ,EL,E N,EP, FJ,FK ,FP FX-FZ ,GB, GF-GJ ,GL, HD,HF HG,HK ,HL,H V-HX	1

# 32-11-20

 ILLUSTRATED PARTS LIST  
 01.1 Page 1088H  
 Nov 01/05

FIG. & ITEM	PART NO.	AIRLINE PART NUMBER	NOMENCLATURE 1234567	EFF CODE	QTY PER ASSY
18-504	52NE066		.NUT- (V72962) (OPT ITEMS 504A, 504B)	CA-EF ,EM,E Q-EZ, JK-JV	1
-504A	MS51922-17		.NUT- (OPT ITEMS 504, 504B)	CA-EF ,EM,E Q-EZ, JK-JV	1
-504B	MS21044-616		.NUT- (OPT ITEMS 504, 504A)	CA-EF ,EM,E Q-EZ, JK-JV	1
-504C	52NE066		.NUT- (V72962)	EH,EK ,EL,E N,EP, FJ,FK ,FP FX-FZ ,GF-G J,GL, HD,HF ,HG HK,HL ,HV-H X	1
507	161T1310-1		.BASE ASSY-BOGIE BEAM	CA-EF ,EH,E K-EZ, FJ,FK ,FP FX-GB ,GF-G J,GL, HD,HF ,HG HK,HL ,HV-H X,J K-JV	1
ATTACHING PARTS					

32-11-20

FIG. & ITEM	PART NO.	AIRLINE PART NUMBER	NOMENCLATURE 1234567	EFF CODE	QTY PER ASSY
18-510	NAS6604-22		.BOLT	CA-EF ,EH,E K-EZ, FJ,FK ,FP FX-GB ,GF-G J,GL, HD,HF ,HG HK,HL ,HV-H X,J K-JV	4
513	AN960-416		.WASHER	CA-EF ,EM,E Q-EZ, JK-JV	4
-513A	NAS1149F0463P		.WASHER	EH,EK ,EL,E N,EP, FJ,FK ,FP FX-GB ,GF-G J,GL, HD,HF ,HG HK,HL ,HV-H X	4

# 32-11-20

 ILLUSTRATED PARTS LIST  
 01.1 Page 1088J  
 Nov 01/05

FIG. & ITEM	PART NO.	AIRLINE PART NUMBER	NOMENCLATURE	EFF CODE	QTY PER ASSY
18-516	BRH10A4		1234567 .NUT- (V52828) (SPEC BACN10JC4) (OPT T6S428J (V11815)) (OPT 96-048 (V80539)) (OPT VN303A048 (V92215)) (OPT RMLH9075-4W (V72962)) (OPT NS202101-048 (V80539)) (OPT H10-4BAC (V15653))	CA-EF ,EM,E Q-EZ, JK-JV	4
-516A	BRH10C4D		.NUT- (V52828) (SPEC BACN10JC4CD) (OPT T6C428JCD (V11815)) (OPT NS202486-048 (V80539)) (OPT 102LH9075-4W (V72962)) (OPT H51650-4BAC (V15653))  -----*-----	EH,EK ,EL,E N,EP, FJ,FK ,FP FX-GB ,GF-G J,GL, HD,HF ,HG HK,HL ,HV-H X	4

32-11-20

ILLUSTRATED PARTS LIST  
01.1 Page 1088K  
Nov 01/05

FIG. & ITEM	PART NO.	AIRLINE PART NUMBER	NOMENCLATURE 1234567	EFF CODE	QTY PER ASSY
18-519	BACR15FT5KE		..RIVET- (SIZE DETERMINE ON INST)	CA-EF ,EH,E K-EZ, FJ,FK ,FP FX-GB ,GF-G J,GL, HD,HF ,HG HK,HL ,HV-H X,J K-JV	16
522	161T1311-2		..BRACKET-END SPRT	CA-EF ,EH,E K-EZ, FJ,FK ,FP FX-GB ,GF-G J,GL, HD,HF ,HG HK,HL ,HV-H X,J K-JV	2
525	BACR15FT5KE		..RIVET- (SIZE DETERMINE ON INST)	CA-EF ,EH,E K-EZ, FJ,FK ,FP FX-GB ,GF-G J,GL, HD,HF ,HG HK,HL ,HV-H X,J K-JV	24

# 32-11-20

 ILLUSTRATED PARTS LIST  
 01.1 Page 1088L  
 Nov 01/05

FIG. & ITEM	PART NO.	AIRLINE PART NUMBER	NOMENCLATURE 1234567	EFF CODE	QTY PER ASSY
18-528	161T1311-7		..PLATE-GUSSET	CA-EF ,EH,E K-EZ, FJ,FK ,FP FX-GB ,GF-G J,GL, HD,HF ,HG HK,HL ,HV-H X,J K-JV	2
531	161T1311-8		..PLATE-GUSSET	CA-EF ,EH,E K-EZ, FJ,FK ,FP FX-GB ,GF-G J,GL, HD,HF ,HG HK,HL ,HV-H X,J K-JV	2
534	161T1311-1		..PLATE-BASE	CA-EF ,EH,E K-EZ, FJ,FK ,FP FX-GB ,GF-G J,GL, HD,HF ,HG HK,HL ,HV-H X,J K-JV	1

**32-11-20**



FIG. & ITEM	PART NO.	AIRLINE PART NUMBER	NOMENCLATURE 1234567	EFF CODE	QTY PER ASSY
18-537A	2607092-1		.BRAKE- (V55284) (SPEC S160T200-12) (2607092-1 IS I/W 2607092-3 FOR 767-200 ACFT ONLY FLIGHT MANUAL LIMITATIONS MUST BE OBSERVED WITH INSTALLATION OF 2607092-1)	CB,CC	4
-537B	2608812-2		.BRAKE ASSY- (REPLD BY ITEM 537G) (V55284) (SPEC S160T300-11)	F,T	4
-537C	2607092-3		.BRAKE ASSY- (V55284) (SPEC S160T200-14) (2607092-1 IS I/W 2607092-3 FOR 767-200 ACFT ONLY FLIGHT MANUAL LIMITATIONS MUST BE OBSERVED WITH INSTALLATION OF 2607092-1)	CF,CL	4
-537G	2608812-4		.BRAKE- (REPLS ITEM 537B) (V55284) (SPEC S160T300-12)	CE	4
-537H	2608812-4		.BRAKE- (V55284) (SPEC S160T300-12)	CA	4
-538	165T0000-1		.TIRE AND BRAKE INSTL- WHEEL MLG (FOR DETAILS SEE FIG. 9)	CG,CH ,CK,C Q-EF, EM,E Q-EZ JK-JV	1

# 32-11-20

 ILLUSTRATED PARTS LIST  
 01.1 Page 1088N  
 Nov 01/05

FIG. & ITEM	PART NO.	AIRLINE PART NUMBER	NOMENCLATURE	EFF CODE	QTY PER ASSY
18-540	NAS6604-10		.BOLT	CA-EF ,EH,E K-EZ, FJ,FK ,FP FX-GB ,GF-G J,GL, HD,HF ,HG HK,HL ,HV-H X,J K-JV	2
543	AN960C416L		.WASHER	CA-EF ,EM,E Q-EZ, JK-JV	2
-543A	NAS1149C0432R		.WASHER	EH,EK ,EL,E N,EP, FJ,FK ,FP FX-GB ,GF-G J,GL, HD,HF ,HG HK,HL ,HV-H X	2

32-11-20

ILLUSTRATED PARTS LIST  
01.1 Page 10880  
Nov 01/05

FIG. & ITEM	PART NO.	AIRLINE PART NUMBER	NOMENCLATURE 1234567	EFF CODE	QTY PER ASSY
18-544	H52732-4CD		.NUT- (V15653) (SPEC BACN10YR4CD) (OPT PLH54CD (V62554)) (OPT ITEM 544A)	EN,EP ,HD, HF,HG ,HK,H L HV-HX	1
-544A	H52732-4C		.NUT- (V15653) (SPEC BACN10YR4C) (OPT PLH54C (V62554)) (OPT ITEM 544)	EN,EP ,HD, HF,HG ,HK,H L HV-HX	1
546	BRH10A4		.NUT- (V52828) (SPEC BACN10JC4) (OPT T6S428J (V11815)) (OPT 96-048 (V80539)) (OPT VN303A048 (V92215)) (OPT RMLH9075-4W (V72962)) (OPT NS202101-048 (V80539)) (OPT H10-4BAC (V15653))	CA-EF ,EM,E Q-EZ, JK-JV	2
-546A	BRH10C4D		.NUT- (V52828) (SPEC BACN10JC4CD) (OPT T6C428JCD (V11815)) (OPT NS202486-048 (V80539)) (OPT 102LH9075-4W (V72962)) (OPT H51650-4BAC (V15653))	EH,EK ,EL,E N,EP, FJ,FK ,FP FX-GB ,GF-G J,GL, HD,HF ,HG HK,HL ,HV-H X	2

# 32-11-20

 ILLUSTRATED PARTS LIST  
 01.1 Page 1088P  
 Nov 01/05

FIG. & ITEM	PART NO.	AIRLINE PART NUMBER	NOMENCLATURE 1234567	EFF CODE	QTY PER ASSY
18-549	161T1311-13		.BRACKET-ANGLE	CA-EF ,EH,E K-EZ, FJ,FK ,FP FX-GB ,GF-G J,GL, HD,HF ,HG HK,HL ,HV-H X,J K-JV	1
552	161T1230-5		.BLOCK-SPACER (PRE SB 767-27A0160)	CA-EF ,EH,E K-EM, EQ-EZ FJ,FK ,FP,F X-GB	1
-552A	161T1230-7		.BLOCK-SPACER	EN,EP ,GF-G J,GL, HD,HF ,HG HK,HL ,HV-H X	1
-552B	161T1230-7		.BLOCK-SPACER (POST SB 767-27A0160)	CA-EF ,EH,E K-EM, EQ-EZ FJ,FK ,FP,F X-GB	1
R -552C	161T1230-5		.BLOCK-SPACER	JK,JV	1

**32-11-20**

FIG. & ITEM	PART NO.	AIRLINE PART NUMBER	NOMENCLATURE 1234567	EFF CODE	QTY PER ASSY
18-555	AN960C416L		.WASHER	CA-EF ,EM,E Q-EZ, JK-JV	1
-555A	NAS1149C0432R		.WASHER	EH,EK ,EL,E N,EP, FJ,FK ,FP FX-GB ,GF-G J,GL, HD,HF ,HG HK,HL ,HV-H X	1
557	BC1083-082S		.CLAMP- (V14242) (SPEC BACC10FY082S) (OPT B06A082S (V10234)) (OPT 3140AB082 (V94581)) (OPT B06A082S (V10234)) (OPT MBC68941-082 (V8W928)) (OPT 57490-815 (V8W928)) (OPT 57490-818 (V8W928)) (OPT 57490-819 (V8W928))	CA-EF ,EM,E Q-EZ, JK-JV	1

# 32-11-20

 ILLUSTRATED PARTS LIST  
 01.1 Page 1088R  
 Nov 01/05

FIG. & ITEM	PART NO.	AIRLINE PART NUMBER	NOMENCLATURE 1234567	EFF CODE	QTY PER ASSY
18- -557A	3140AB082E		.CLAMP- (V94581) (SPEC BACC10FY082SE) (OPT BC1083-082SE (V14242)) (OPT NE103338-082 (V8W928))	EH,EK ,EL,E N,EP, FJ,FK ,FP FX-GB ,GF-G J,GL, HD,HF ,HG HK,HL ,HV-H X	1
558	MBB69260-1170		.CLAMP- (V00624)	CA-EF ,EH,E K-EZ, FJ,FK ,FP FX-GB ,GF-G J,GL, HD,HF ,HG HK,HL ,HV-H X,J K-JV	1
561	7355		.TAPE-MYSTIK (REPLD BY ITEM 561A) (V88301)	CA-EF ,EH,E K-EM, EQ-EZ	AR
-561A	8412		.TAPE- (REPLS ITEM 561) (V26066)	CA-EF ,EH,E K-EM, EQ-EZ	AR

32-11-20

FIG. & ITEM	PART NO.	AIRLINE PART NUMBER	NOMENCLATURE 1234567	EFF CODE	QTY PER ASSY
R 18- -561B	7355		.TAPE-MYSTIK (V88301)	FJ,FK ,FP,F X-GB, GF-GJ ,GL JK-JV CC,CL	AR
-564B	161T1100-62		.COMPONENT ASSY- (161T1100-94 MAY REPLACE -62 FOR ANA ONLY) (161T1100-74 AND -86 MAY REPLACE -62 FOR VK001-VK030) (REF CMM 32-11-30)		1
-564C	161T1100-86		.COMPONENT ASSY- (REF CMM 32-11-30)	CB,CF	1
-564E	161T1100-70		.COMPONENT ASSY- (REF CMM 32-11-30)	CA	1
-564G	161T1100-92		.COMPONENT ASSY- (REF CMM 32-11-30)	CD,CH ,CN	1
-564J	161T1100-94		.COMPONENT ASSY- (161T1100-94 MAY REPLACE -62 FOR ANA ONLY) (REF CMM 32-11-30)	CE	1
-566	161T1100-98		.COMPONENT ASSY- (REF CMM 32-11-30)	CK	1
-566C	161T1100-106		.COMPONENT ASSY- (REF CMM 32-11-30) (TO ADD 767-300ER IGW REQUIREMENT FOR ANA ONLY)	CP	1
-566D	161T1100-110		.COMPONENT ASSY- (REF CMM 32-11-30)	CQ	1
-566J	161T1100-124		.COMPONENT ASSY- (REF CMM 32-11-30)	CR,CS	1
-566L	161T1100-126		.COMPONENT ASSY- (REF CMM 32-11-30)	CT	1

# 32-11-20

 ILLUSTRATED PARTS LIST  
 01.1 Page 1088T  
 Nov 01/05



**BOEING**  
COMPONENT  
MAINTENANCE MANUAL

FIG. & ITEM	PART NO.	AIRLINE PART NUMBER	NOMENCLATURE 1234567	EFF CODE	QTY PER ASSY
18- -566W	161T1100-160		. COMPONENT ASSY- (REF CMM 32-11-30)	CU	1
-566X	161T1100-164		. COMPONENT ASSY- (REF CMM 32-11-30)	CV	1
-566Y	161T1100-178		. COMPONENT ASSY- (REF CMM 32-11-30)	CW	1
-566Z	161T1100-180		. COMPONENT ASSY- (REF CMM 32-11-30)	DD,DE	1
-567B	161T1100-184		. COMPONENT ASSY- (REF CMM 32-11-30)	DF	1
-567C	161T1100-188		. COMPONENT ASSY- (REF CMM 32-11-30)	DR	1
-567G	161T1100-140		. COMPONENT ASSY- (REF CMM 32-11-30)	CX	1
-567H	161T1100-142		. COMPONENT ASSY- (REF CMM 32-11-30)	CY,CZ ,DG,D H	1
-567J	161T1100-148		. COMPONENT ASSY- (REF CMM 32-11-30)	DA	1
-567L	161T1100-208		. COMPONENT ASSY- (REF CMM 32-11-30)	DC	1
-567M	161T1100-122		. COMPONENT ASSY- (REF CMM 32-11-30)	CG,CM ,DB	1
-567N	161T1100-224		. COMPONENT ASSY- (REF CMM 32-11-30)	DJ,DK	1
-567P	161T1100-228		. COMPONENT ASSY- (REF CMM 32-11-30)	DL,DT ,EC	1
-567Q	161T1100-230		. COMPONENT ASSY- (REF CMM 32-11-30)	DM-DP ,DU	1
-567R	161T1100-230		. COMPONENT ASSY- (OPT ITEM 567S) (REF CMM 32-11-30)	DS,DY	1
-567S	161T1100-238		. COMPONENT ASSY- (OPT ITEM 567R) (REF CMM 32-11-30)	DS,DY	1
-567U	161T1100-234		. COMPONENT ASSY- (REF CMM 32-11-30)	DQ,DW ,EE	1
-567V	161T1100-236		. COMPONENT ASSY- (REF CMM 32-11-30)	DR,DX	1
-567W	161T1100-244		. COMPONENT ASSY- (REF CMM 32-11-30)	DZ	1
-567X	161T1100-252		. COMPONENT ASSY- (REF CMM 32-11-30)	EA	1
-567Y	161T1100-284		. COMPONENT ASSY- (REF CMM 32-11-30)	EB	1

**32-11-20**

ILLUSTRATED PARTS LIST  
01.1 Page 1088U  
Nov 01/05



FIG. & ITEM	PART NO.	AIRLINE PART NUMBER	NOMENCLATURE 1234567	EFF CODE	QTY PER ASSY
18-					
-567Z	161T1100-386		DELETED		
-568	161T1100-388		.COMPONENT ASSY- (REF CMM 32-11-30)	EH	1
-568A	161T1100-390		DELETED		
-568B	161T1100-392		.COMPONENT ASSY- (REF CMM 32-11-30)	EK	1
-568C	161T1100-394		.COMPONENT ASSY- (REF CMM 32-11-30)	EL	1
-568D	161T1100-370		.COMPONENT ASSY- (REF CMM 32-11-30)	EM	1
-568E	161T1100-410		.COMPONENT ASSY- (REF CMM 32-11-30)	FJ,FX	1
-568F	161T1100-442		.COMPONENT ASSY- (REF CMM 32-11-30)	FK	1
-568G	161T1100-452		DELETED		
-568H	161T1100-454		DELETED		
-568J	161T1100-456		DELETED		
-568K	161T1100-458		.COMPONENT ASSY- (REF CMM 32-11-30)	FP,GF	1
-568L	161T1100-460		DELETED		
-568M	161T1100-414		.COMPONENT ASSY- (REF CMM 32-11-30)	FY	1
-568N	161T1100-416		.COMPONENT ASSY- (REF CMM 32-11-30)	FZ	1
-568P	161T1100-438		.COMPONENT ASSY- (REF CMM 32-11-30)	GA	1
-568Q	161T1100-444		.COMPONENT ASSY- (REF CMM 32-11-30)	GB	1
-568R	161T1100-436		.COMPONENT ASSY- (REF CMM 32-11-30)	GL	1
-568S	161T1100-438		.COMPONENT ASSY- (REF CMM 32-11-30)	GG	1
-568T	161T1100-470		DELETED		
-568U	161T1100-472		DELETED		
-568V	161T1100-474		DELETED		
-568W	161T1100-476		.COMPONENT ASSY- (REF CMM 32-11-30)	GH	1
-568X	161T1100-478		.COMPONENT ASSY- (REF CMM 32-11-30)	GJ	1
-568Y	161T1100-484		DELETED		
-568Z	161T1100-486		.COMPONENT ASSY- (REF CMM 32-11-30)	EJ,HD ,HH,H J,HM	1

# 32-11-20



**BOEING**  
COMPONENT  
MAINTENANCE MANUAL

FIG. & ITEM	PART NO.	AIRLINE PART NUMBER	NOMENCLATURE 1234567	EFF CODE	QTY PER ASSY
18-			DELETED		
-569	161T1100-488		. COMPONENT ASSY-	EN, HF	1
-569A	161T1100-490		(REF CMM 32-11-30)	, HK	
-569B	161T1100-492		. COMPONENT ASSY-	EP, HG	1
			(REF CMM 32-11-30)	, HL	
-569C	161T1100-496		. COMPONENT ASSY-	EN	1
			(REF CMM 32-11-30)		
-569D	161T1100-498		. COMPONENT ASSY-	EP	1
			(REF CMM 32-11-30)		
R -569E	161T1100-502		. COMPONENT ASSY-	HV	1
			(REF CMM 32-11-30)		
R -569F	161T1100-504		. COMPONENT ASSY-	HW	1
			(REF CMM 32-11-30)		
R -569G	161T1100-506		. COMPONENT ASSY-	HX	1
			(REF CMM 32-11-30)		
R -569H	161T1100-364		. COMPONENT ASSY-	JK, JP	1
			(REF CMM 32-11-30)		
R -569J	161T1100-368		. COMPONENT ASSY-	JL	1
			(REF CMM 32-11-30)		
R -569K	161T1100-370		. COMPONENT ASSY-	JM	1
			(REF CMM 32-11-30)		
R -569L	161T1100-360		. COMPONENT ASSY-	JN	1
			(REF CMM 32-11-30)		
R -569M	161T1100-372		. COMPONENT ASSY-	JQ	1
			(REF CMM 32-11-30)		
R -569N	161T1100-354		. COMPONENT ASSY-	JR	1
			(REF CMM 32-11-30)		
R -569P	161T1100-370		. COMPONENT ASSY-	JS	1
			(REF CMM 32-11-30)		
R -569Q	161T1100-366		. COMPONENT ASSY-	JT	1
			(REF CMM 32-11-30)		
R -569R	161T1100-352		. COMPONENT ASSY-	JU	1
			(REF CMM 32-11-30)		
R -569S	161T1100-356		. COMPONENT ASSY-	JV	1
			(REF CMM 32-11-30)		

**32-11-20**

ILLUSTRATED PARTS LIST  
01.1 Page 1088W  
Nov 01/05

FIG. & ITEM	PART NO.	AIRLINE PART NUMBER	NOMENCLATURE 1234567	EFF CODE	QTY PER ASSY
18-570	272T6100-2		.HYDRAULIC INSTL-SECT. 61 (FOR DETAILS SEE FIG. 2)	CA-EF ,EM,E Q-EZ, JK-JV	1
-576	287T0000-6		.PROVISION INSTL-MULTI SECT. WIRE (FOR DETAILS SEE FIG. 3)	CA-EF ,EM,E Q-EZ, JK-JV	1
-582	284T6100-4		.EQUIPMENT INSTL-ELEC (FOR DETAILS SEE FIG. 4)	CA-EF ,EM,E Q-EZ, JK-JV	1
585	NAS6604-4		.BOLT	CA-EF ,EH,E K-EZ, FJ,FK ,FP FX-GB ,GF-G J,GL, HD,HF ,HG HK,HL ,HV-H X,J K-JV	12
588	AN960PD416		.WASHER	CA-EF ,EM,E Q-EZ, JK-JV	12
-588A	NAS1149D0463J		.WASHER	EH,EK ,EL,E N,EP, FJ,FK ,FP FX-GB ,GF-G J,GL, HD,HF ,HG HK,HL ,HV-H X	12

# 32-11-20

 ILLUSTRATED PARTS LIST  
 01.1 Page 1088X  
 Nov 01/05

FIG. & ITEM	PART NO.	AIRLINE PART NUMBER	NOMENCLATURE 1234567	EFF CODE	QTY PER ASSY
18-591	161T1310-2		.BRACKET ASSY	CA-EF ,EH,E K-EZ, FJ,FK ,FP FX-GB ,GF-G J,GL, HD,HF ,HG HK,HL ,HV-H X,J K-JV	1
594	BACR15BA3AD		..RIVET- (SIZE DETERMINE ON INST)	CA-EF ,EH,E K-EZ, FJ,FK ,FP FX-GB ,GF-G J,GL, HD,HF ,HG HK,HL ,HV-H X,J K-JV	16
597	BRFM20A4		..NUTPLATE- (V52828) (SPEC BACN10JN4) (OPT MF1000-4BAC (V15653)) (OPT NS103218-048 (V80539)) (OPT RMF9201M4 (V72962)) (OPT VN252A048 (V92215)) (OPT VN252A048 (V92215)) (OPT T8124S4S (V11815))	CA-EF ,EH,E K-EZ, FJ,FK ,FP FX-GB ,GF-G J,GL, HD,HF ,HG HK,HL ,HV-H X,J K-JV	7

32-11-20

ILLUSTRATED PARTS LIST  
01.1 Page 1088Y  
Nov 01/05

FIG. & ITEM	PART NO.	AIRLINE PART NUMBER	NOMENCLATURE 1234567	EFF CODE	QTY PER ASSY
18-600A	MT65S428SK1		..NUTPLATE-CAPPED (V05693)	CA-EF ,EH,E K-EZ, FJ,FK ,FP FX-GB ,GF-G J,GL, HD,HF ,HG HK,HL ,HV-H X,J K-JV	1
603	287T6111-17		..BRACKET ASSY	CA-EF ,EH,E K-EZ, FJ,FK ,FP FX-GB ,GF-G J,GL, HD,HF ,HG HK,HL ,HV-H X,J K-JV	1
ATTACHING PARTS					

# 32-11-20

 ILLUSTRATED PARTS LIST  
 01.1 Page 1088Z  
 Nov 01/05

FIG. & ITEM	PART NO.	AIRLINE PART NUMBER	NOMENCLATURE 1234567	EFF CODE	QTY PER ASSY
18-606	BACR15FT5KE		..RIVET- (SIZE DETERMINE ON INST)	CA-EF ,EH,E K-EZ, FJ,FK ,FP FX-GB ,GF-G J,GL, HD,HF ,HG HK,HL ,HV-H X,J K-JV	2
609	BACR15BA3AD		-----*----- ...RIVET- (SIZE DETERMINE ON INST)	CA-EF ,EH,E K-EZ, FJ,FK ,FP FX-GB ,GF-G J,GL, HD,HF ,HG HK,HL ,HV-H X,J K-JV	4
610	T8097S1032K		...NUTPLATE- (V11815) (SPEC BACN10KA3A) (OPT NS103226-02 (V80539))	CA-EF ,EH,E K-EZ, FJ,FK ,FP FX-GB ,GF-G J,GL, HD,HF ,HG HK,HL ,HV-H X,J K-JV	2

32-11-20

FIG. & ITEM	PART NO.	AIRLINE PART NUMBER	NOMENCLATURE 1234567	EFF CODE	QTY PER ASSY
18-612	287T6111-17		..BRACKET ASSY	CA-EF ,EH,E K-EZ, FJ,FK ,FP FX-GB ,GF-G J,GL, HD,HF ,HG HK,HL ,HV-H X,J K-JV	2
615	287T6111-19		...BRACKET	CA-EF ,EH,E K-EZ, FJ,FK ,FP FX-GB ,GF-G J,GL, HD,HF ,HG HK,HL ,HV-H X,J K-JV	1
618	161T1310-5		..PAD	CA-EF ,EH,E K-EZ, FJ,FK ,FP FX-GB ,GF-G J,GL, HD,HF ,HG HK,HL ,HV-H X,J K-JV	1

# 32-11-20

 ILLUSTRATED PARTS LIST  
 01.1 Page 1090  
 Nov 01/05

FIG. & ITEM	PART NO.	AIRLINE PART NUMBER	NOMENCLATURE 1234567	EFF CODE	QTY PER ASSY
18-621	BACR15FT5KE		..RIVET- (SIZE DETERMINE ON INST)	CA-EF ,EH,E K-EZ, FJ,FK ,FP FX-GB ,GF-G J,GL, HD,HF ,HG HK,HL ,HV-H X,J K-JV	14
624	161T1311-12		..CHANNEL	CA-EF ,EH,E K-EZ, FJ,FK ,FP FX-GB ,GF-G J,GL, HD,HF ,HG HK,HL ,HV-H X,J K-JV	1
627	161T1311-10		..BRACKET-CTR SPRT	CA-EF ,EH,E K-EZ, FJ,FK ,FP FX-GB ,GF-G J,GL, HD,HF ,HG HK,HL ,HV-H X,J K-JV	2

**32-11-20**



FIG. & ITEM	PART NO.	AIRLINE PART NUMBER	NOMENCLATURE 1234567	EFF CODE	QTY PER ASSY
18-633	161T1310-4		.BRACKET ASSY	CA-EF ,EN,E P,FJ, FK,FP FX-GB ,GF-G J,GL, HD,HF ,HG HK,HL ,HV-H X,J K-JV	1
636	BACR15BA3AD		..RIVET- (SIZE DETERMINE ON INST)	CA-EF ,EN,E P,FJ, FK,FP FX-GB ,GF-G J,GL, HD,HF ,HG HK,HL ,HV-H X,J K-JV	8
639A	MT65S428SK1		..NUTPLATE-CAPPED (V05693)	CA-EF ,EN,E P,FJ, FK,FP FX-GB ,GF-G J,GL, HD,HF ,HG HK,HL ,HV-H X,J K-JV	4

# 32-11-20

 ILLUSTRATED PARTS LIST  
 01.1 Page 1090B  
 Nov 01/05

FIG. & ITEM	PART NO.	AIRLINE PART NUMBER	NOMENCLATURE 1234567	EFF CODE	QTY PER ASSY
18-642	287T6111-17		..BRACKET ASSY	CA-EF ,EN,E P,FJ, FK,FP FX-GB ,GF-G J,GL, HD,HF ,HG HK,HL ,HV-H X,J K-JV	2
645	BACR15FT5KE		ATTACHING PARTS ..RIVET- (SIZE DETERMINE ON INST)	CA-EF ,EN,E P,FJ, FK,FP FX-GB ,GF-G J,GL, HD,HF ,HG HK,HL ,HV-H X,J K-JV	4
648	BACR15BA3AD		-----*----- ...RIVET- (SIZE DETERMINE ON INST)	CA-EF ,EN,E P,FJ, FK,FP FX-GB ,GF-G J,GL, HD,HF ,HG HK,HL ,HV-H X,J K-JV	4

**32-11-20**

ILLUSTRATED PARTS LIST  
01.1 Page 1090C  
Nov 01/05

FIG. & ITEM	PART NO.	AIRLINE PART NUMBER	NOMENCLATURE 1234567	EFF CODE	QTY PER ASSY
18-651	T8097S1032K		...NUTPLATE- (V11815) (SPEC BACN10KA3A) (OPT NS103226-02 (V80539))	CA-EF ,EN,E P,FJ, FK,FP FX-GB ,GF-G J,GL, HD,HF ,HG HK,HL ,HV-H X,J K-JV	2
654	287T6111-19		...BRACKET	CA-EF ,EN,E P,FJ, FK,FP FX-GB ,GF-G J,GL, HD,HF ,HG HK,HL ,HV-H X,J K-JV	1
657	161T1310-5		..PAD	CA-EF ,EN,E P,FJ, FK,FP FX-GB ,GF-G J,GL, HD,HF ,HG HK,HL ,HV-H X,J K-JV	1

# 32-11-20

 ILLUSTRATED PARTS LIST  
 01.1 Page 1090D  
 Nov 01/05

FIG. & ITEM	PART NO.	AIRLINE PART NUMBER	NOMENCLATURE 1234567	EFF CODE	QTY PER ASSY
18-660	BACR15FT5KE		..RIVET- (SIZE DETERMINE ON INST)	CA-EF ,EN,E P,FJ, FK,FP FX-GB ,GF-G J,GL, HD,HF ,HG HK,HL ,HV-H X,J K-JV	8
663	161T1311-11		..PLATE	CA-EF ,EN,E P,FJ, FK,FP FX-GB ,GF-G J,GL, HD,HF ,HG HK,HL ,HV-H X,J K-JV	2
666	161T1311-12		..CHANNEL	CA-EF ,EN,E P,FJ, FK,FP FX-GB ,GF-G J,GL, HD,HF ,HG HK,HL ,HV-H X,J K-JV	1

**32-11-20**

FIG. & ITEM	PART NO.	AIRLINE PART NUMBER	NOMENCLATURE 1234567	EFF CODE	QTY PER ASSY
18-669	161T1311-10		..BRACKET-CTR SPRT	CA-EF ,EN,E P,FJ, FK,FP FX-GB ,GF-G J,GL, HD,HF ,HG HK,HL ,HV-H X,J K-JV	1
777	NAS6604H4		.BOLT	CE	24
779	AN960PD416		.WASHER	CE	24
781	161T1246-1		.RING ASSY-MTG (OPT ITEM 781A)	CE	4
-781A	161T1246-3		.RING ASSY-MTG (OPT ITEM 781)	CE	4
783	161T1207-1		..PIN	CE	1
785	MS21209F4-15		..INSERT	CE	6
787	161T1246-2		..RING- (USED ON ITEM 781)	CE	1
-787A	161T1246-4		..RING- (USED ON ITEM 781A)	CE	1
789	161T1240-5		.FAN AND DRIVE ASSY	CE	4
791A	BACB30NT3K1		..SCREW	CE	4
793A	AN960JD10LL		..WASHER	CE	4
795	69B83395-1		..COVER	CE	1
797	NAS6603H25		..BOLT	CE	2
799A	AN960JD10LL		..WASHER	CE	2
801	161T1240-6		..SHROUD AND SEAL ASSY	CE	1
803	BACB30MY6K3		...BOLT	CE	11

# 32-11-20

 ILLUSTRATED PARTS LIST  
 01.1 Page 1090F  
 Nov 01/05

FIG. & ITEM	PART NO.	AIRLINE PART NUMBER	NOMENCLATURE 1234567	EFF CODE	QTY PER ASSY
18-805	HL79-6		...COLLAR- (V5M902) (SPEC BACC30M6) (OPT HL79-6 (V73197)) (OPT HL79-6 (V92215)) (OPT 66014-6 (V56878)) (OPT HL79-6 (V56878))	CE	11
807	161T1244-2		...SEAL	CE	1
809	BACR15BB5AD		...RIVET- (SIZE DETERMINE ON INST)	CE	18
811	161T1243-3		DELETED		
811A	161T1243-2		...SKIRT-FAN SHROUD	CE	1
813	161T1241-1		...SHROUD ASSY-FAN (OPT ITEM 813A)	CE	1
-813A	161T1241-3		...SHROUD ASSY-FAN (OPT ITEM 813)	CE	1
815A	MS21209F1-15		....INSERT- (USED ITEM 813)	CE	4
-815B	MS21209F1-10P		....INSERT- (USED ITEM 813A)	CE	4
817	161T1241-2		....SHROUD- (USED ITEM 813)	CE	1
-817A	161T1241-4		....SHROUD- (USED ITEM 813A)	CE	1
820	161T1248-1		...RETAINER-SEAL	CE	1
822	161T1248-2		...RETAINER-SEAL	CE	1

32-11-20

FIG. & ITEM	PART NO.	AIRLINE PART NUMBER	NOMENCLATURE 1234567	EFF CODE	QTY PER ASSY
18-824	R9106PPA4298		..BEARING- (V21335) (SPEC BACB10BA30PP) (OPT LL106KSG20 (V38443)) (OPT LL106KS (V38443)) (OPT 6006TT (V43991)) (OPT 9106LLT1C1-01 (V21760)) (OPT 9106NPPFS428 (V21335)) (OPT 993L06 (V29337)) (OPT PKTLL106P1 (V78118)) (OPT C106RRPOZZ (V40920)) (OPT C106RRPP1P28LY1 (V40920)) (OPT R9106PPA4298 (V9V013)) (OPT ITEMS 824A, 824B)	CE	2
-824A	SK0771-1		..BEARING- (V05341) (OPT ITEMS 824, 824B)	CE	2
-824B	9106NPPFS464		..BEARING- (PERF) (V21335) (OPT ITEMS 824, 824A)	CE	2
826	69B83394-2		..SPACER	CE	1
828	69B83396-2		..RETAINER- (LIMITED) (OPT ITEM 828A)	CE	1
-828A	69B83396-3		..RETAINER- (OPT ITEM 828)	CE	1
830	NAS6603H2		..BOLT	CE	4
832	65B84414-4		..FAN ASSY	CE	1
834	MS21209F1-15		...INSERT	CE	4
836	65B84414-5		...FAN	CE	1
837	161T1245-1		..SPACER	CE	1
839	75984		..BELLOWS ASSY-DRIVE (V92003) (SPEC 60B80106-1)	CE	1

# 32-11-20

 ILLUSTRATED PARTS LIST  
 01.1 Page 1090H  
 Nov 01/05

 **BOEING**  
COMPONENT  
MAINTENANCE MANUAL

FIG. & ITEM	PART NO.	AIRLINE PART NUMBER	NOMENCLATURE 1234567	EFF CODE	QTY PER ASSY
18-					
841	NAS1352C08H10		..SCREW	CE	2
843	161T1223-1		..WASHER	CE	1
845	161T1220-1		..CUP	CE	1
847	78529		..COUPLING ASSY- (V92003) (SPEC S161T102-2) (OPT ITEM 847A)	CE	1
-847A	84490-1		..COUPLING ASSY- (V07649) (SPEC S161T102-5) (OPT ITEM 847)	CE	1
-850	161T1000-5001		.COLLECTOR-LIMITED PART (REPLS ITEM 850A)	CD	1
-850A	161T1000-5002		.COLLECTOR-LIMITED PART (REPLD BY ITEM 850) (FOR DETAILS SEE FIG. 8)	CD	1
-850B	161T1000-5005		.COLLECTOR-LIMITED PART (REPLS ITEM 850C)	CN	1
-850C	161T1000-5006		.COLLECTOR-LIMITED PART (REPLD BY ITEM 850B) (FOR DETAILS SEE FIG. 8)	CN	1
-850D	161T1000-5007		.COLLECTOR-LIMITED PART (REPLS ITEM 850E)	CP	1
-850E	161T1000-5008		.COLLECTOR-LIMITED PART (REPLD BY ITEM 850D) (FOR DETAILS SEE FIG. 8)	CP	1
-860	161T1000-5009		.COLLECTOR-LIMITED PART (LIMITED)	CJ	1
-860A	161T1000-5010		.COLLECTOR-LIMITED PART (LIMITED) (FOR DETAILS SEE FIG. 8)	CJ	1
-865	165T0000-1		..TIRE AND BRAKE INSTL- WHEEL MLG (USED ON ITEMS 850, 850B, 850D, 860) (FOR DETAILS SEE FIG. 9)	CD,CJ ,CN,C P	1
-875	161T1000-5022		.COLLECTOR-LIMITED PART (FOR DETAILS SEE FIG. 11)	ED	1
-875A	161T1000-5026		.COLLECTOR-LIMITED PART (FOR DETAILS SEE FIG. 11)	EF	1
-875B	161T1000-5034		.COLLECTOR-LIMITED PART (FOR DETAILS SEE FIG. 11)	DV	1

32-11-20



FIG. & ITEM	PART NO.	AIRLINE PART NUMBER	NOMENCLATURE 1234567	EFF CODE	QTY PER ASSY
18- -875C	161T1000-5020		.COLLECTOR-LIMITED PART (FOR DETAILS SEE FIG. 11)	ED	1
-900	161T1200-2		.BFE ASSY-COLLECTOR (FOR DETAILS SEE FIG. 19)	FH	1
-905	161T2030-1		.ECCENTRIC ASSY- (REF CMM 32-11-70)	EN,EP ,FH-F K,FP, FX-GB GF-GJ ,GL, HD,HF ,HG,H K,HL HV-HX	1
-910	161T2031-5		.LOCK ASSY- (REF CMM 32-11-81)	EN,EP ,FH-F K,FP, FX-GB GF-GJ ,GL, HD,HF ,HG,H K,HL HV-HX	1
-915	NAS6605-18		ATTACHING PARTS .BOLT	EN,EP ,FH-F K,FP, FX-GB GF-GJ ,GL, HD,HF ,HG,H K,HL HV-HX	2

# 32-11-20

 ILLUSTRATED PARTS LIST  
 01.1 Page 1090J  
 Nov 01/05

FIG. & ITEM	PART NO.	AIRLINE PART NUMBER	NOMENCLATURE 1234567	EFF CODE	QTY PER ASSY
18- -920	NAS1149F0563P		.WASHER	EN,EP ,FH-F K,FP, FX-GB GF-GJ ,GL, HD,HF ,HG,H K,HL HV-HX	2
-925	MS21042L5		.NUT	EN,EP ,FH-F K,FP, FX-GB GF-GJ ,GL, HD,HF ,HG,H K,HL HV-HX	2
-930	NAS1801-3D10		.SCREW- (OPT ITEM 935)	EN,EP ,FH-F K,FP, FX-GB GF-GJ ,GL, HD,HF ,HG,H K,HL HV-HX	8

**32-11-20**

ILLUSTRATED PARTS LIST  
01.1 Page 1090K  
Nov 01/05

FIG. & ITEM	PART NO.	AIRLINE PART NUMBER	NOMENCLATURE	EFF CODE	QTY PER ASSY
18-935	NAS1802-3D10		1234567  .BOLT- (OPT ITEM 930)  -----*	EN,EP ,FH-F K,FP, FX-GB GF-GJ ,GL, HD,HF ,HG,H K,HL HV-HX	8

- Item Not Illustrated

**32-11-20**

 **BOEING**  
COMPONENT  
MAINTENANCE MANUAL

FIG. & ITEM	PART NO.	AIRLINE PART NUMBER	NOMENCLATURE 1234567	EFF CODE	QTY PER ASSY
19-					
-1	161T1200-1		BFE ASSY-COLLECTOR	FA	RF
-5	161T1200-2		BFE ASSY-COLLECTOR	FH	RF
-10	161T1200-3		.STRUCTURES ASSY-COLLECTOR	FA	1
-15	161T1200-4		.STRUCTURES ASSY-COLLECTOR	FH	1
-20	113T8222-1		..FITTING ASSY-DOOR (FOR DETAILS SEE FIG. 17)	FA	1
-25	113T8222-2		..FITTING ASSY-DOOR (FOR DETAILS SEE FIG. 18)	FH	1
-30	161T1101-401		..COMPONENT ASSY- (REF CMM 32-11-30)	FA	1
-35	161T1101-402		..COMPONENT ASSY- (REF CMM 32-11-30)	FH	1
-40	161T1172-5		..FITTING ASSY- (FOR DETAILS SEE FIG. 17)	FA	1
-45	161T1172-6		..FITTING ASSY- (FOR DETAILS SEE FIG. 18)	FH	1
-50	161T1173-5		..FITTING ASSY- (FOR DETAILS SEE FIG, 17)	FA	1
-55	161T1173-6		..FITTING ASSY- (FOR DETAILS SEE FIG, 18)	FH	1
-60	161T1174-1		..FITTING ASSY- (FOR DETAILS SEE FIG. 17 OR 18)	FA,FH	1

**32-11-20**

ILLUSTRATED PARTS LIST  
01.1 Page 1090M  
Nov 01/05

FIG. & ITEM	PART NO.	AIRLINE PART NUMBER	NOMENCLATURE 1234567	EFF CODE	QTY PER ASSY
19-65	161T1174-2		..FITTING ASSY- (FOR DETAILS SEE FIG. 17 OR 18)	FA,FH	1
70	161T1183-1		..BOLT ASSY- (FOR DETAILS SEE FIG. 17 OR 18)	FA,FH	1
-75	161T1202-1		..SPACER-WHEEL (OPT ITEM 75A)	FA,FH	4
-75A	161T1202-2		..SPACER-WHEEL (OPT ITEM 75)	FA,FH	4
85	161T1203-2		..WASHER	FA,FH	4
90	161T1204-1		..NUT	FA,FH	4
-95	161T1230-5		..BLOCK-BLOCK	FA,FH	1
-100	161T1301-1		..RACE ASSY- (FOR DETAILS SEE FIG. 17 OR 18)	FA,FH	1
-105	161T1303-9		..HOUSING ASSY- (FOR DETAILS SEE FIG. 11)	FA,FH	1
-110	161T1305-2		..RING-RETAINING	FA,FH	1
-115	161T1306-4		..BOLT-RETAINING	FA,FH	1
-120	161T1307-4		..BOLT	FA,FH	1
-125	161T1307-5		..BOLT ASSY- (FOR DETAILS SEE FIG. 17 OR 18)	FA,FH	1
-130	161T1310-1		..BASE ASSY- (FOR DETAILS SEE FIG. 17 OR 18)	FA,FH	1
-135	161T1310-2		..BRACKET ASSY- (FOR DETAILS SEE FIG. 17 OR 18)	FA,FH	1
-600	161T1200-5		.ELECTRICAL ASSY	FA	1
-605	161T1200-6		.ELECTRICAL ASSY	FH	1
-610	284T0270-1		..SENSOR INSTL- (FOR DETAILS SEE FIG. 4)	FA	1
-615	284T0270-2		..SENSOR INSTL- (FOR DETAILS SEE FIG. 4)	FH	1
-620	284T0270-3		..SENSOR INSTL- (FOR DETAILS SEE FIG. 4)	FA	1
-625	284T0270-4		..SENSOR INSTL- (FOR DETAILS SEE FIG. 4)	FH	1
-630	287T6101-7		..PROVISION INSTL- (FOR DETAILS SEE FIG. 3)	FA	1
-635	287T6101-8		..PROVISION INSTL- (FOR DETAILS SEE FIG. 3)	FH	1

# 32-11-20

 ILLUSTRATED PARTS LIST  
 01.1 Page 1090N  
 Nov 01/05

 **BOEING**  
COMPONENT  
MAINTENANCE MANUAL

FIG. & ITEM	PART NO.	AIRLINE PART NUMBER	NOMENCLATURE 1234567	EFF CODE	QTY PER ASSY
19- -640	287T6101-33		..PROVISION INSTL- (FOR DETAILS SEE FIG. 3)	FA	1
-645	287T6101-34		..PROVISION INSTL- (FOR DETAILS SEE FIG. 3)	FH	1
-700	161T1200-7		.HYDRAULIC ASSY	FA	1
-705	161T1200-8		.HYDRAULIC ASSY	FH	1
-710	270T0004-483		..BLOCK	FA,FH	4
-715	270T0005-281		..BLOCK ASSY- (FOR DETAILS SEE FIG. 2)	FA,FH	1
-720	272T6100-150		..TUBE ASSY- (MFD FROM TUBING TITANIUM 3AL-2.5V 3/80D X .019 WALL 25.0IN BMS7-234 F25.01) (PRE SB 767-32-0162) (FOR DETAILS SEE FIG. 2)	FA	1
-720A	272T6100-227		..TUBE ASSY- (POST SB 767-32-0162) (FOR DETAILS SEE FIG. 2)	FA	1
-725	272T6100-151		..TUBE ASSY- (MFD FROM TUBING TITANIUM 3AL-2.5V 3/80D X .019 WALL 25.0IN BMS7-234 F25.01) (PRE SB 767-32-0162) (FOR DETAILS SEE FIG. 2)	FH	1
-725A	272T6100-216		..TUBE ASSY- (POST SB 767-32-0162) (FOR DETAILS SEE FIG. 2)	FH	1
-730	272T6100-152		..TUBE ASSY- (MFD FROM TUBING TITANIUM 3AL-2.5V 5/80D X .032 WALL BMS7-234 F25.01) (PRE SB 767-32-0162) (FOR DETAILS SEE FIG. 2)	FA	1

**32-11-20**

ILLUSTRATED PARTS LIST  
01.1 Page 10900  
Nov 01/05

FIG. & ITEM	PART NO.	AIRLINE PART NUMBER	NOMENCLATURE 1234567	EFF CODE	QTY PER ASSY
19- -730A	272T6100-217		..TUBE ASSY- (POST SB 767-32-0162) (FOR DETAILS SEE FIG. 2)	FA	1
-735	272T6100-153		..TUBE ASSY- (MFD FROM TUBING TITANIUM 3AL-2.5V 3/8OD X .019 WALL 25.0IN BMS7-234 F25.01) (PRE SB 767-32-0162) (FOR DETAILS SEE FIG. 2)	FH	1
-735A	272T6100-218		..TUBE ASSY- (POST SB 767-32-0162) (FOR DETAILS SEE FIG. 2)	FH	1
-740	272T6100-155		..TUBE ASSY- (MFD FROM TUBE TITANIUM 3AL-2.5V 3/8 OD X .019 WALL 75.0 IN. BMS7-234 F25.01) (FOR DETAILS SEE FIG. 2)	FA	1
-745	272T6100-156		..TUBE ASSY- (MFD FROM TUBE TITANIUM 3AL-2.5V 3/8 OD X .019 WALL 75.0 IN. BMS7-234 F25.01) (FOR DETAILS SEE FIG. 2)	FH	1
-750	272T6100-157		..TUBE ASSY- (MFD FROM TUBE TITANIUM 3AL-2.5V 3/8 OD X .019 WALL 75.0 IN. BMS7-234 F25.01) (FOR DETAILS SEE FIG. 2)	FA	1

# 32-11-20

 ILLUSTRATED PARTS LIST  
 01.1 Page 1090P  
 Nov 01/05

 **BOEING**  
COMPONENT  
MAINTENANCE MANUAL

FIG. & ITEM	PART NO.	AIRLINE PART NUMBER	NOMENCLATURE 1234567	EFF CODE	QTY PER ASSY
19- -755	272T6100-158		..TUBE ASSY- (MFD FROM TUBE TITANIUM 3AL-2.5V 3/8 OD X .019 WALL 75.0 IN. BMS7-234 F25.01) (FOR DETAILS SEE FIG. 2)	FH	1
-760	272T6100-159		..TUBE ASSY- (MFD FROM TUBING TITANIUM 3AL-2.5V 3/8OD X .019 WALL 25.0IN BMS7-234 F25.01) (PRE SB 767-32-0162) (FOR DETAILS SEE FIG. 2)	FA	1
-760A	272T6100-219		..TUBE ASSY- (POST SB 767-32-0162) (FOR DETAILS SEE FIG. 2)	FA	1
-765	272T6100-160		..TUBE ASSY- (MFD FROM TUBING TITANIUM 3AL-2.5V 3/8OD X .019 WALL 25.0IN BMS7-234 F25.01) (PRE SB 767-32-0162) (FOR DETAILS SEE FIG. 2)	FH	1
-765A	272T6100-220		..TUBE ASSY- (POST SB 767-32-0162) (FOR DETAILS SEE FIG. 2)	FH	1
-770	272T6100-161		..TUBE ASSY- (MFD FROM TUBING TITANIUM 3AL-2.5V 3/8OD X .019 WALL 25.0IN BMS7-234 F25.01) (PRE SB 767-32-0162) (FOR DETAILS SEE FIG. 2)	FA	1
-770A	272T6100-221		..TUBE ASSY- (POST SB 767-32-0162) (FOR DETAILS SEE FIG. 2)	FA	1

**32-11-20**

ILLUSTRATED PARTS LIST  
01.1 Page 1090Q  
Nov 01/05



FIG. & ITEM	PART NO.	AIRLINE PART NUMBER	NOMENCLATURE 1234567	EFF CODE	QTY PER ASSY
19- -775	272T6100-162		..TUBE ASSY- (MFD FROM TUBING TITANIUM 3AL-2.5V 3/8OD X .019 WALL 25.0IN BMS7-234 F25.01) (PRE SB 767-32-0162) (FOR DETAILS SEE FIG. 2)	FH	1
-775A	272T6100-222		..TUBE ASSY- (POST SB 767-32-0162) (FOR DETAILS SEE FIG. 2)	FH	1
-780	272T6100-163		..TUBE ASSY- (MFD FROM TUBE TITANIUM 3AL-2.5V 3/8 OD X .019 WALL X 75.0IN BMS7-234 F25.01) (PRE SB 767-32-0162) (FOR DETAILS SEE FIG. 2)	FA	1
-780A	272T6100-223		..TUBE ASSY- (POST SB 767-32-0162) (FOR DETAILS SEE FIG. 2)	FA	1
-785	272T6100-164		..TUBE ASSY- (MFD FROM TUBE TITANIUM 3AL-2.5V 3/8 OD X .019 WALL 75.0 IN. BMS7-234 F25.01) (PRE SB 767-32-0162) (FOR DETAILS SEE FIG. 2)	FH	1
-785A	272T6100-224		..TUBE ASSY- (POST SB 767-32-0162) (FOR DETAILS SEE FIG. 2)	FH	1
-790	272T6100-165		..TUBE ASSY- (MFD FROM TUBE TITANIUM 3AL-2.5V 3/8 OD X .019 WALL 75.0 IN. BMS7-234 F25.01) (FOR DETAILS SEE FIG. 2)	FA	1
-795	272T6100-166		..TUBE ASSY- (MFD FROM TUBE TITANIUM 3AL-2.5V 3/8 OD X .019 WALL 73.0 IN. BMS7-234 F25.01) (PRE SB 767-32-0162) (FOR DETAILS SEE FIG. 2)	FH	1

# 32-11-20

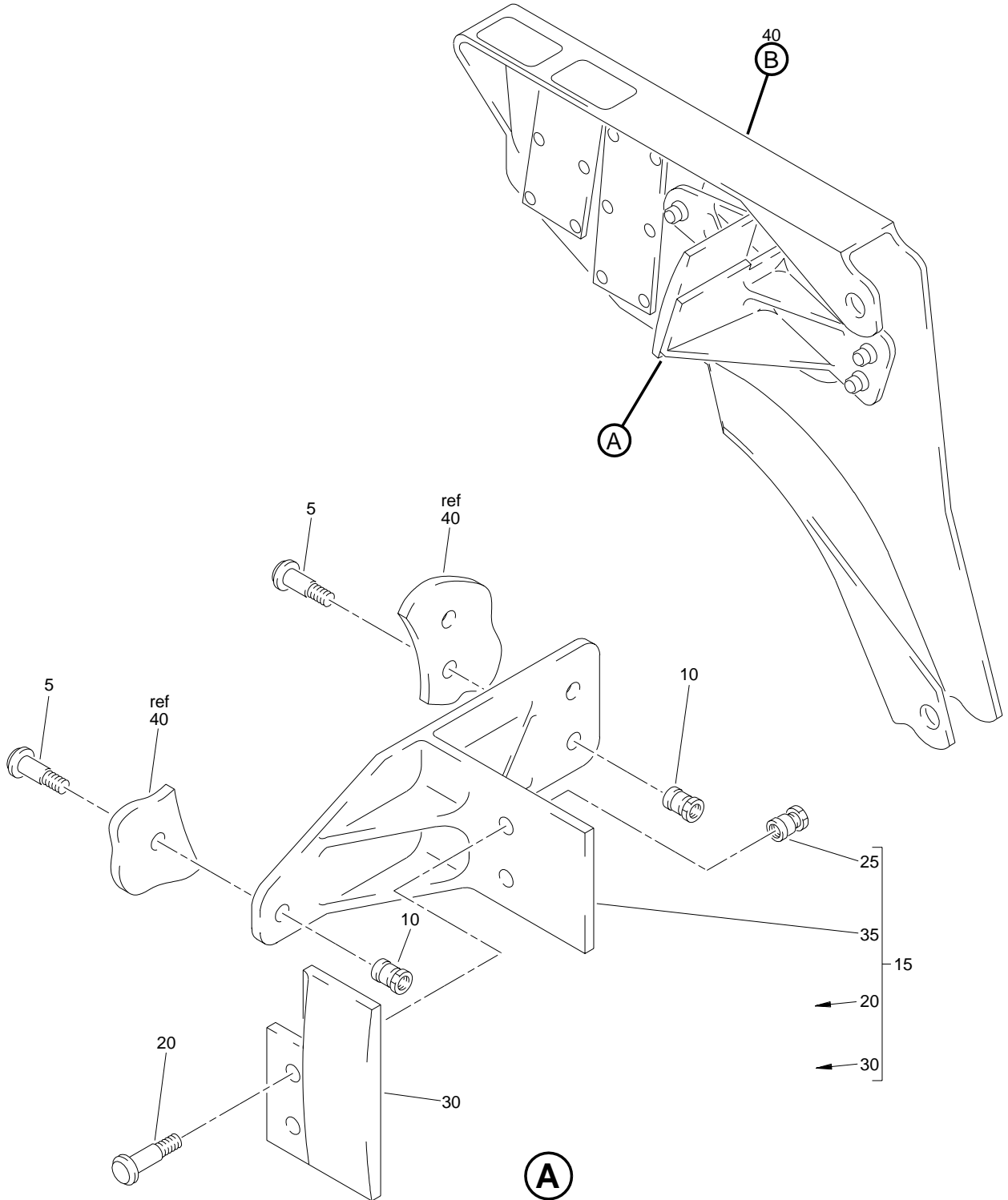
 ILLUSTRATED PARTS LIST  
 01.1 Page 1090R  
 Nov 01/05

FIG. & ITEM	PART NO.	AIRLINE PART NUMBER	NOMENCLATURE 1234567	EFF CODE	QTY PER ASSY
19- -795A	272T6100-226		..TUBE ASSY- (POST SB 767-32-0162) (FOR DETAILS SEE FIG. 2)	FH	1
-800	272T6100-167		..TUBE ASSY- (FOR DETAILS SEE FIG. 2)	FA	1
-805	272T6100-168		..TUBE ASSY- (FOR DETAILS SEE FIG. 2)	FH	1
-810	272T6100-169		..TUBE ASSY- (FOR DETAILS SEE FIG. 2)	FA	1
-815	272T6100-170		..TUBE ASSY- (FOR DETAILS SEE FIG. 2)	FH	1
-820	272T6100-171		..TUBE ASSY- (MFD FROM TUBE TITANIUM 3AL-2.5V 3/8 OD X .019 WALL 73.0IN BMS7-234 F25.01) (PRE SB 767-32-0162) (FOR DETAILS SEE FIG. 2)	FA	1
-820A	272T6100-225		..TUBE ASSY- (POST SB 767-32-0162) (FOR DETAILS SEE FIG. 2)	FA	1
-825	272T6117-19		..BRACKET INSTL- (FOR DETAILS SEE FIG. 2)	FA	1
-830	272T6117-20		..BRACKET INSTL- (FOR DETAILS SEE FIG. 2)	FH	1
-835	272T6117-3		..BRACKET INSTL- (FOR DETAILS SEE FIG. 7)	FA	1
-840	272T6117-4		..BRACKET INSTL- (FOR DETAILS SEE FIG. 7)	FH	1

- Item Not Illustrated

**32-11-20**

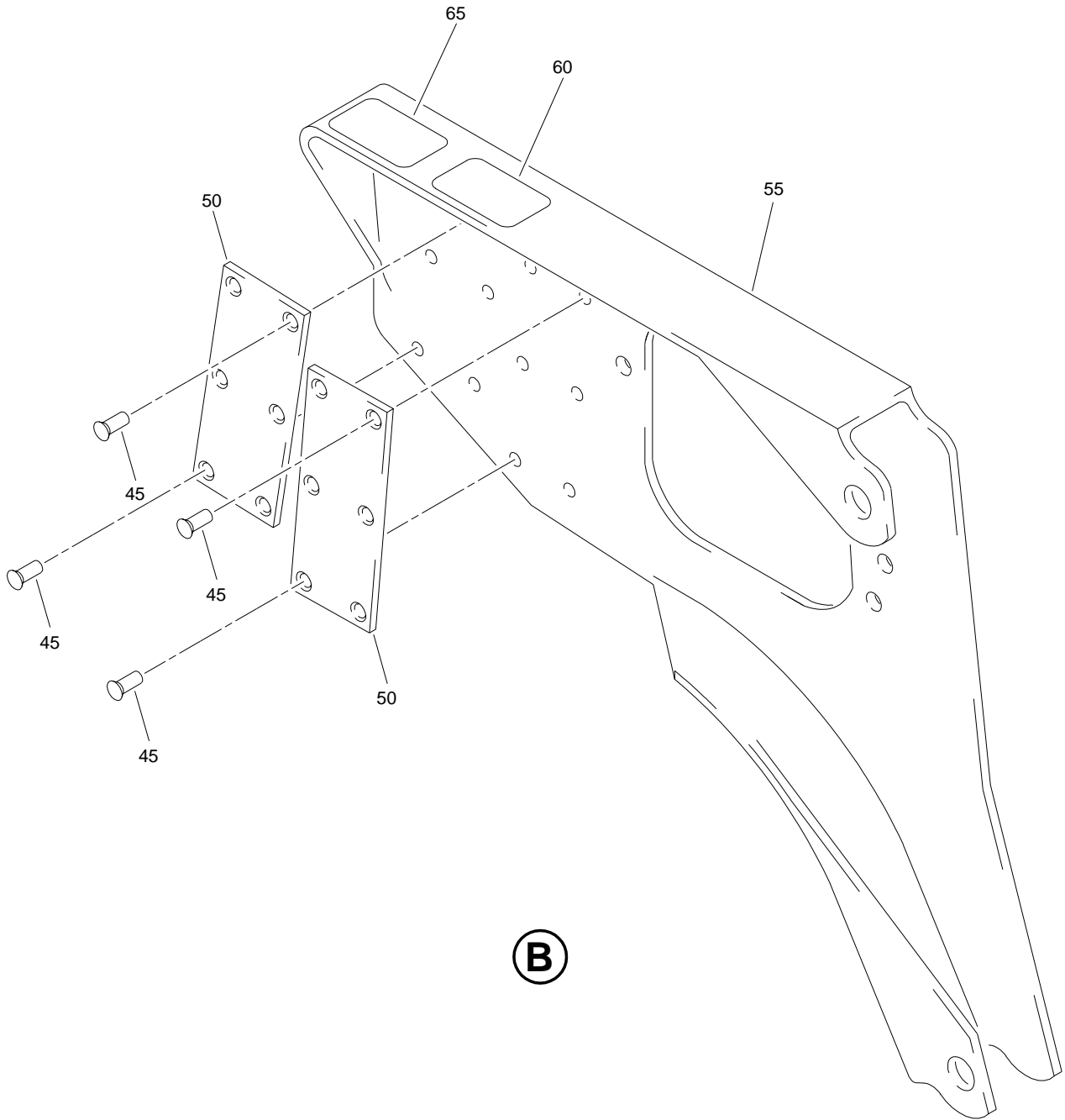
ILLUSTRATED PARTS LIST  
01.1 Page 1090S  
Nov 01/05



Bracket Assembly  
Figure 20 (Sheet 1)

**32-11-20**

ILLUSTRATED PARTS LIST  
01.1 Page 1090U  
Nov 01/05



Bracket Assembly  
Figure 20 (Sheet 2)

**32-11-20**

ILLUSTRATED PARTS LIST  
01.1 Page 1090V  
Nov 01/05

 **BOEING**  
COMPONENT  
MAINTENANCE MANUAL

FIG. & ITEM	PART NO.	AIRLINE PART NUMBER	NOMENCLATURE 1234567	EFF CODE	QTY PER ASSY
20- -1A	284T0437-9		BRACKET ASSY- (POST SB 767-27A0160)	A-BH, BP-EF ,EM,E Q-EZ, HY-JV	RF
5	HST10AG6-4		.BOLT- (V06725) (SPEC BACB30VT6K4) (OPT HST10AG6-4 (V73197)) (OPT HST10AG6-4 (V56878)) (OPT HST10AG6-4 (VOPTK6))	A-BH, BP-EF ,EM,E Q-EZ, HY-JV	3
10	HST79CY6		.COLLAR- (V73197) (SPEC BACC30BL6) (OPT HST79-6 (V92215)) (OPT HST79CY6 (V56878)) (OPT HST79CY6 (V5M902))	A-BH, BP-EF ,EM,E Q-EZ, HY-JV	3
15	284T0437-8		.BRACKET ASSY	A-BH, BP-EF ,EM,E Q-EZ, HY-JV	1
20	HST10AG6-4		.BOLT- (V06725) (SPEC BACB30VT6K4) (OPT HST10AG6-4 (V73197)) (OPT HST10AG6-4 (V56878)) (OPT HST10AG6-4 (VOPTK6))	A-BH, BP-EF ,EM,E Q-EZ, HY-JV	2

32-11-20

ILLUSTRATED PARTS LIST  
01.1 Page 1090W  
Nov 01/05

FIG. & ITEM	PART NO.	AIRLINE PART NUMBER	NOMENCLATURE 1234567	EFF CODE	QTY PER ASSY
20-25	HST79CY6		..COLLAR- (V73197) (SPEC BACC30BL6) (OPT HST79-6 (V92215)) (OPT HST79CY6 (V56878)) (OPT HST79CY6 (V5M902))	A-BH, BP-EF ,EM,E Q-EZ, HY-JV	2
30	284T0425-10		..BRACKET-TARGET	A-BH, BP-EF ,EM,E Q-EZ, HY-JV	1
35	284T0425-9		..BRACKET-TARGET	A-BH, BP-EF ,EM,E Q-EZ, HY-JV	1
40	284T0437-6		.BRACKET ASSY	A-BH, BP-EF ,EM,E Q-EZ, HY-JV	1
45	BACR15BA3ADC		..RIVET- (SIZE DETERMINE ON INST)	A-BH, BP-EF ,EM,E Q-EZ, HY-JV	12
50	284T0427-2		..TARGET	A-BH, BP-EF ,EM,E Q-EZ, HY-JV	2

# 32-11-20

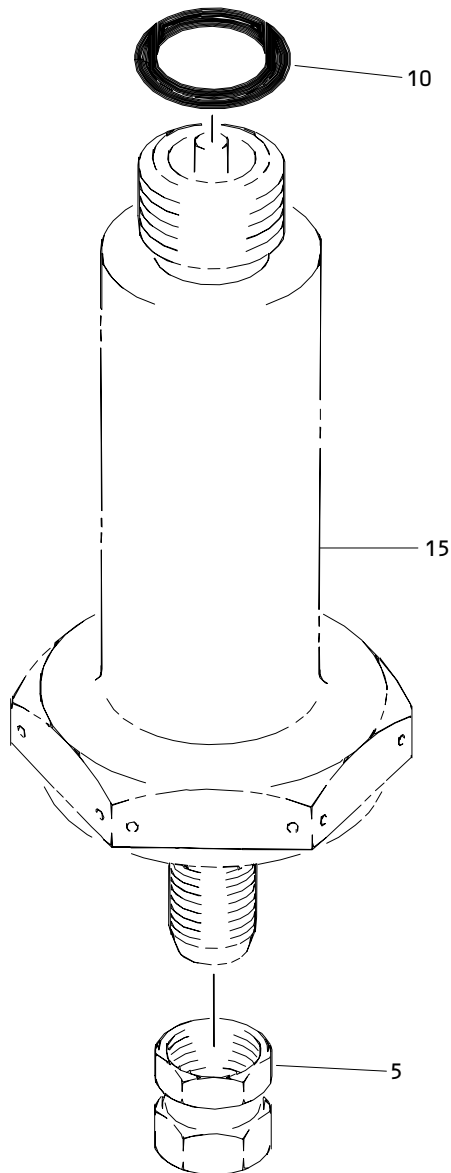
 ILLUSTRATED PARTS LIST  
 01.1 Page 1090X  
 Nov 01/05

FIG. & ITEM	PART NO.	AIRLINE PART NUMBER	NOMENCLATURE 1234567	EFF CODE	QTY PER ASSY
20-55	284T0425-7		..BRACKET	A-BH, BP-EF ,EM,E Q-EZ, HY-JV	1
60	BAC27TEX1188		..MARKER-ALUMINUM FOIL- S246	A-BH, BP-EF ,EM,E Q-EZ, HY-JV	1
65	BAC27TEX1189		..MARKER-ALUMINUM FOIL- S268	A-BH, BP-EF ,EM,E Q-EZ, HY-JV	1

- Item Not Illustrated

**32-11-20**

ILLUSTRATED PARTS LIST  
01.1 Page 1090Y  
Nov 01/05



Fill Valve Assembly  
Figure 80

**32-11-20**

ILLUSTRATED PARTS LIST  
01.1 Page 1090Z  
Nov 01/05



FIG. & ITEM	PART NO.	AIRLINE PART NUMBER	NOMENCLATURE 1234567	EFF CODE	QTY PER ASSY
80- -1	10-44		VALVE ASSY-FILL (V91816) (SPEC 60B10055-4)	A-C,E ,F,J, L,M, CA-CC ,CE CF,CL	RF
-1A	10-57		VALVE ASSY-FILL (LIMITED) (V91816) (SPEC 60B10055-2)	D,G,H ,K, N-BH, BP-BZ ,CD CG-CK ,CP-E F,EM, EQ-EZ	RF
-1B	10-44		VALVE ASSY-FILL (LIMITED) (V91816) (SPEC 60B10055-4)	D,G,H ,K, N-BH, BP-BZ ,CD CG-CK ,CP-E F,EM, EQ-EZ	RF
5	10-6017		.CAP- (V91816) (USED ON ITEM 1)	A-C,E ,F,J, L,M, CA-CC ,CE CF,CL	1

**32-11-20**

FIG. & ITEM	PART NO.	AIRLINE PART NUMBER	NOMENCLATURE 1234567	EFF CODE	QTY PER ASSY
80-5A	10-6015		.CAP- (V91816) (USED ON ITEM 1A)	D,G,H ,K, N-BH, BP-BZ ,CD CG-CK ,CP-E F,EM, EQ-EZ	1
-5B	10-6017		.CAP- (V91816) (USED ON ITEM 1B)	D,G,H ,K, N-BH, BP-BZ ,CD CG-CK ,CP-E F,EM, EQ-EZ	1
10	10-4905-24		.PACKING- (V91816)	A-BH, BP-EF ,EM,E Q-EZ	1

- Item Not Illustrated

**32-11-20**